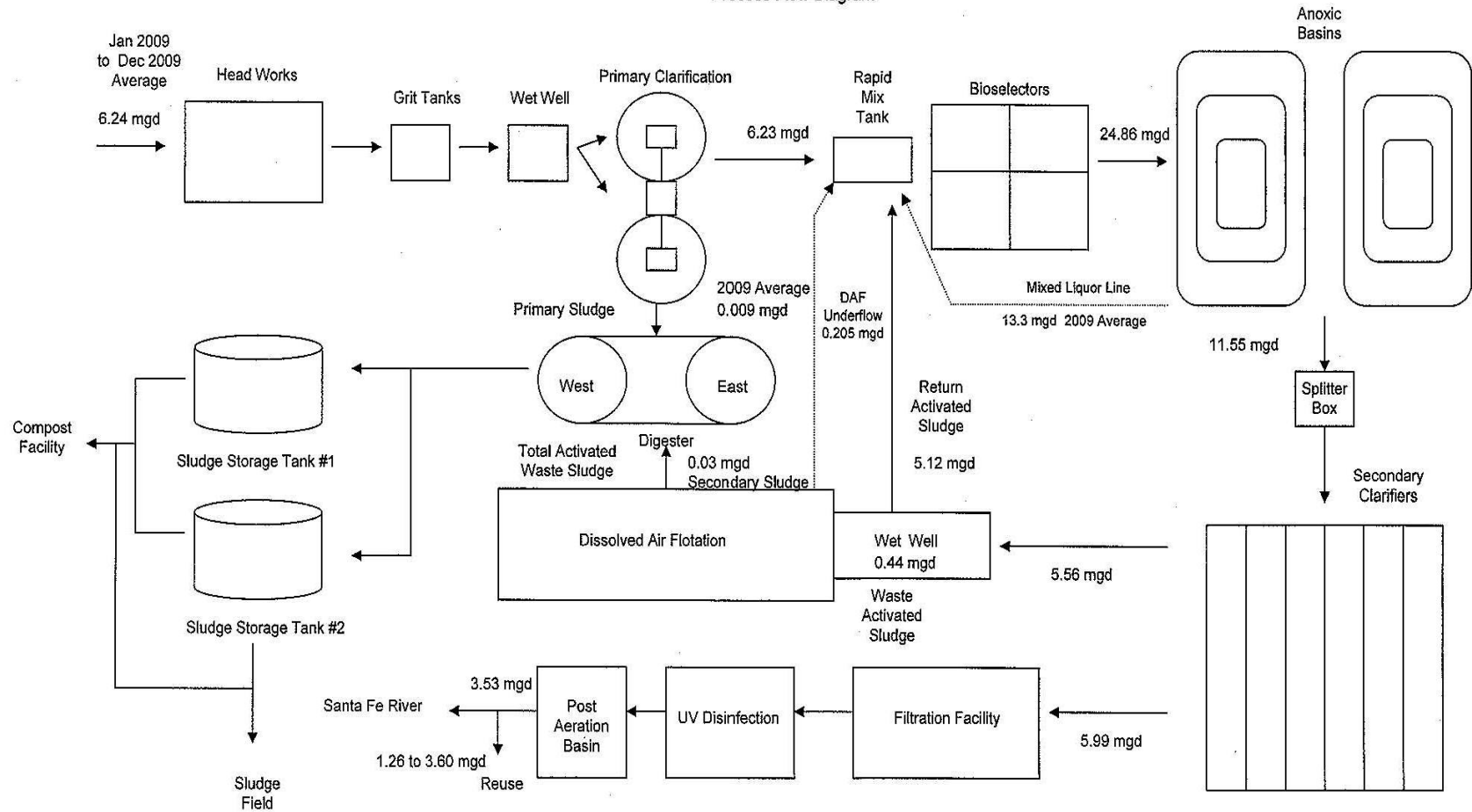




Appendix B-4
 Paseo Real Wastewater Treatment Plant
 Process Flow Diagram



Power Sources: 2 Main Feeds from separate substation (Public Service Company of New Mexico)
 Back-up generators serve the main processes of the Wastewater Treatment Plant