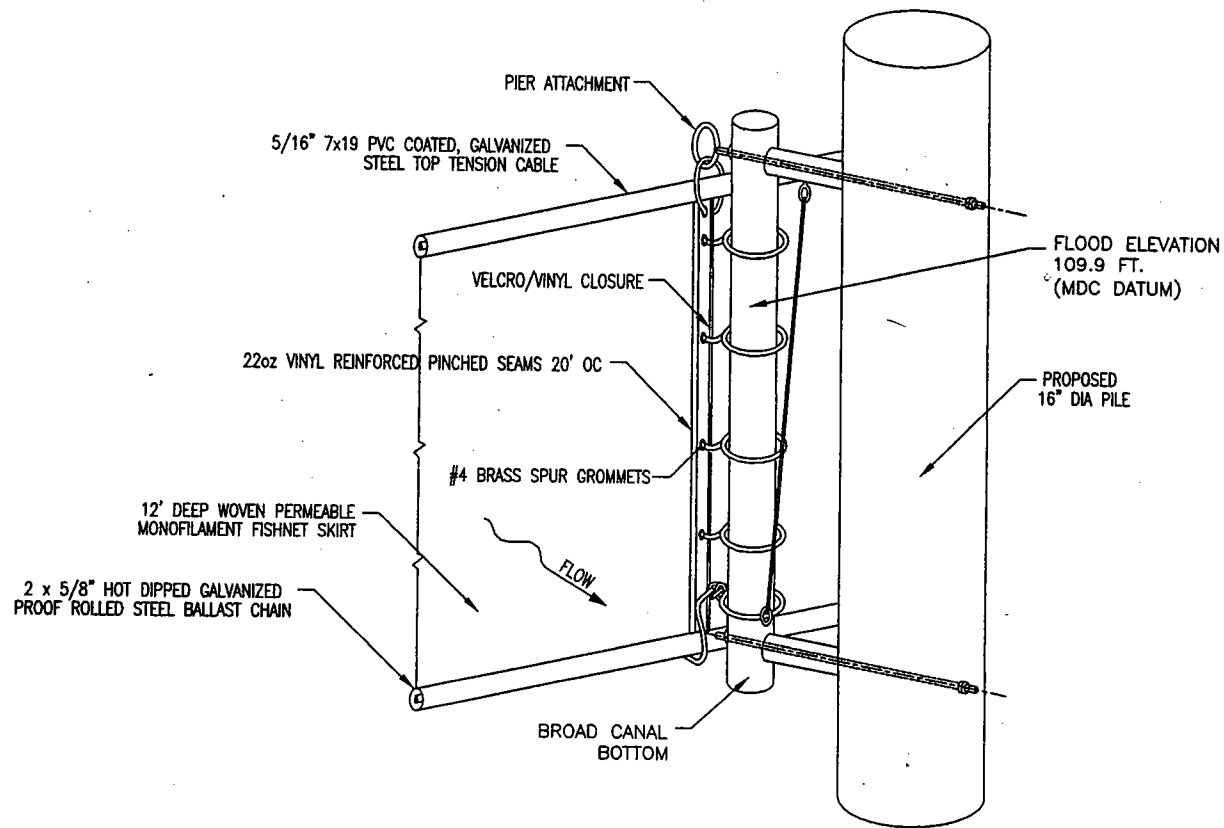


FIGURE 4



2487/KENDALL/MPDES/FISHNET ACROSS

KENDALL SQUARE STATION
EQUIPMENT UPGRADE PROJECT

TRANSVERSE CROSS-SECTION
OF FISH NET BARRIER
KENDALL SQUARE STATION

CAMBRIDGE, MASSACHUSETTS