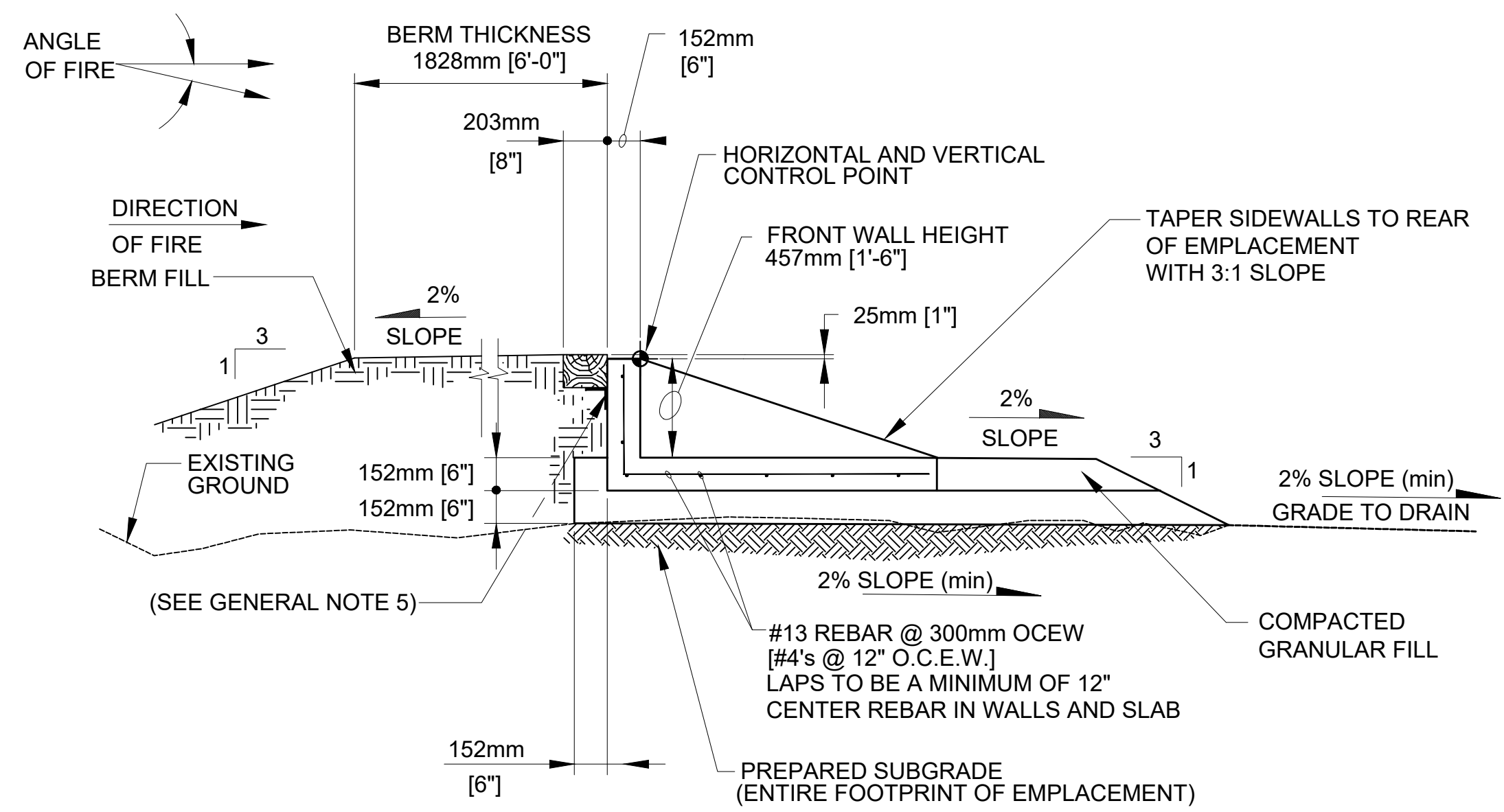


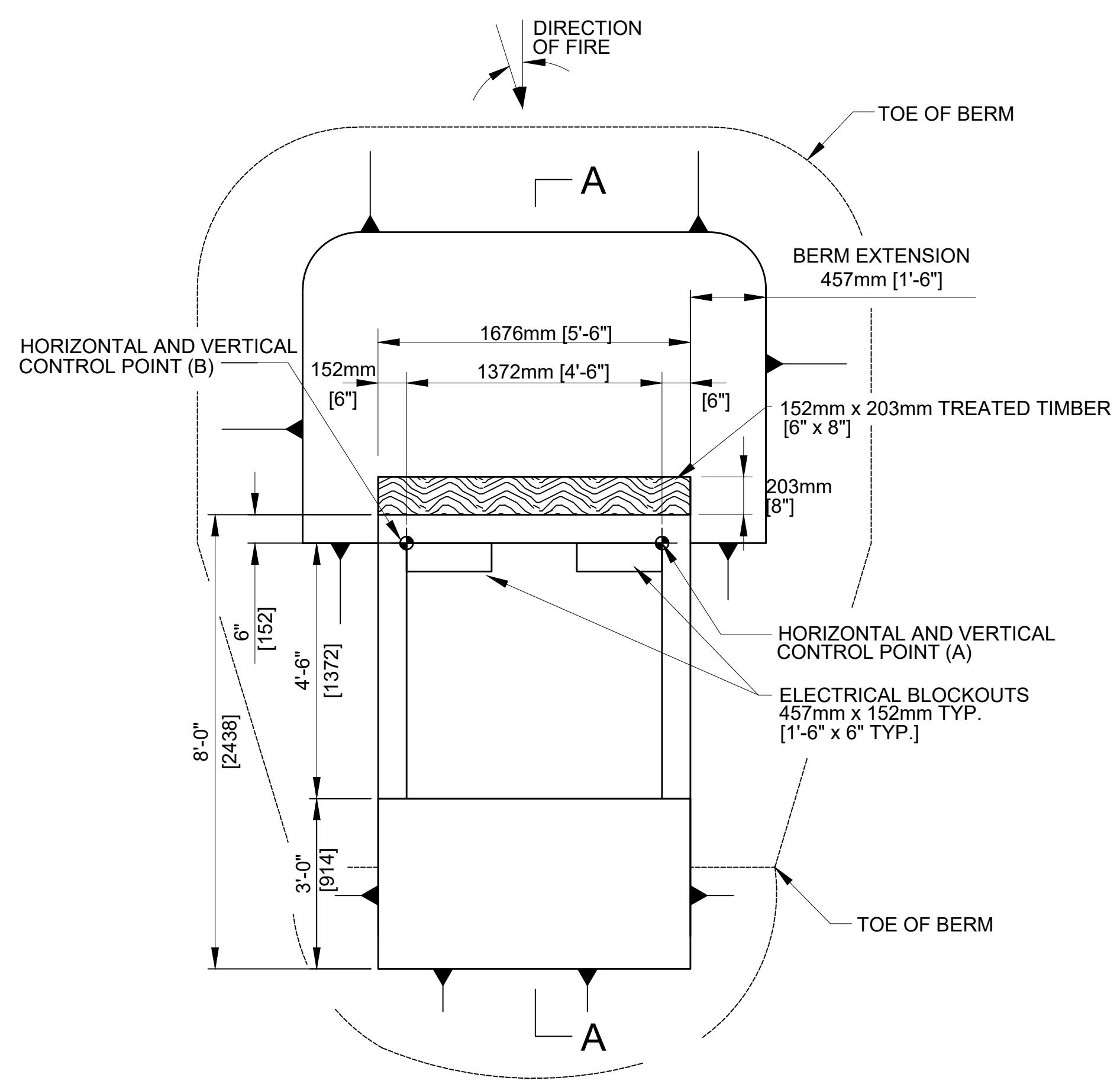
AUTOMATED MULTIPURPOSE MACHINE GUN RANGE (MPMG)
 CAMP EDWARDS JOINT BASE CAPE COD
 BOURNE, MASSACHUSETTS

- KEYED NOTES
- (A) CONCRETE PAD
 - (B) CLASSROOM BUILDING
 - (C) OPERATIONS STORAGE
 - (D) COVERED MESS PAVILION
 - (E) COVERED BLEACHERS
 - (F) RANGE TOWER
 - (G) AMMO BREAKDOWN BUILDING
 - (H) MPMG RANGE ZERO TARGET FRAME (1/C-513)
 - (I) FLAG POLE (4/C-509)
 - (J) WALK IN FIGHTING POSITION (1/C-511)





SECTION A-A



PLAN

GENERAL NOTES:

1. CONCRETE SHALL DEVELOP A MINIMUM COMPRESSIVE STRENGTH OF 28MPa (4000psi) IN 28 DAYS.
2. EMBLEMMENTS SHALL BE CONSTRUCTED OF REINFORCED CONCRETE; CONCRETE STRUCTURES SHALL BE PRECAST OR CAST-IN-PLACE. PRECAST STRUCTURE WILL HAVE LIFTING EYES CUT FLUSH.
3. ALL REINFORCING STEEL SHALL BE PER ASTM A615, GRADE 60.
4. AREAS DISTURBED BY CONSTRUCTION ACTIVITIES SHALL BE REVEGETATED OR RESURFACED CONSISTENT WITH THE NATURAL SURROUNDINGS. GROUND COVER SHALL NOT REDUCE TARGET VISIBILITY.
5. PLACE TREATED TIMBERS AGAINST CONCRETE WALL ON L102mm x 102MM x 12.7mm x 102mm [4"x4"x1/2"x4"] STEEL ANGLES SPACED A MAXIMUM OF 914mm [3'] ON CENTER. ATTACH ANGLE TO CONCRETE WITH CONCRETE ANCHORS.
6. ALL DIMENSIONS ARE INDICATED AS FOLLOWS: METRIC UNITS [ENGLISH] FOR INSTANCE, 1372mm [4'-6"]
7. HORIZONTAL CONTROL POINT (A) IS LOCATED ON THE LEFT SIDE OF TARGET AS VIEWED FROM THE FIRING POSITION.
8. PROVIDE 13mm [1/2"] CHAMFER ON ALL EXPOSED CONCRETE SURFACES.
9. LABEL EACH EMBLEMMENT. COORDINATE WITH RANGE CONTROL FOR NUMBERING SCHEME.
10. THIS EMBLEMMENT DETAIL ALSO APPLIES FOR EMBLEMMENTS WITH DOUBLE TARGET ARM LIFTERS (DTASIT).
11. RETAINING WALLS MUST BE CONSTRUCTED OUT OF ADEQUATELY CONNECTED TREATED TIMBERS.
12. THE DESIGN MUST INCLUDE POSITIVE DRAINAGE AWAY FROM THE TARGET, INCLUDING BELOW GRADE EMBLEMMENTS.

Katherine Maker
06/19/20

1 STATIONARY INFANTRY TARGET EMBLEMMENT
SCALE: N.T.S.

DATE	REVISION MADE	BY	AUTHORIZED

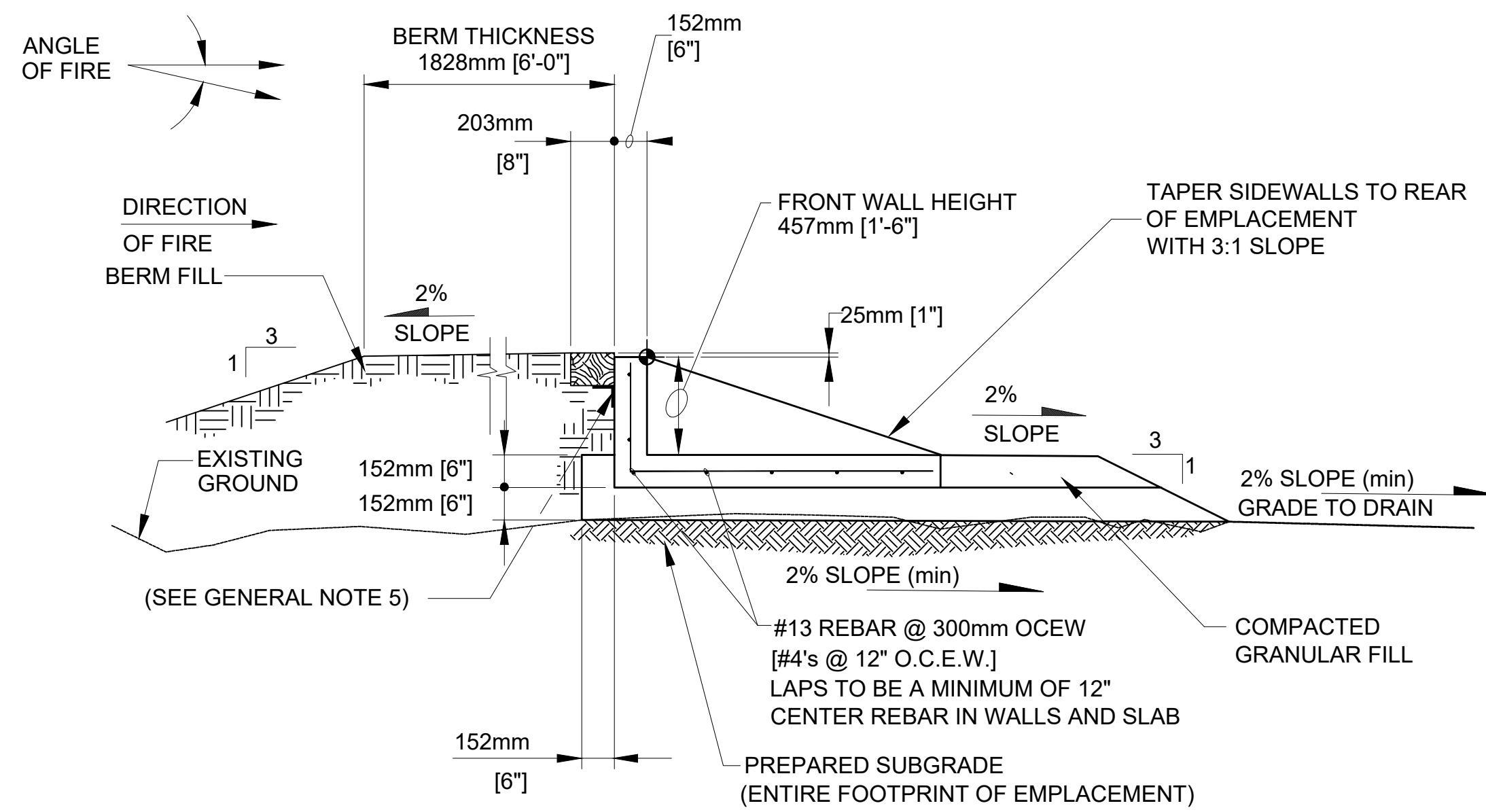
AUTOMATED MULTIPURPOSE MACHINE GUN RANGE (MPMG)			
STATIONARY INFANTRY TARGET EMBLEMMENT DETAILS			
DATE: 06/19/20	DES BY: DG	BAKER PROJECT NUMBER: 170789	SHEET NO: C-501
SCALE: AS NOTED	DWN BY: DG	GOV. PROJECT NUMBER: 250194FY19	74 OF 206
SIZE: ANSI D	CHK BY: KM		
FILE: C-501.DWG			



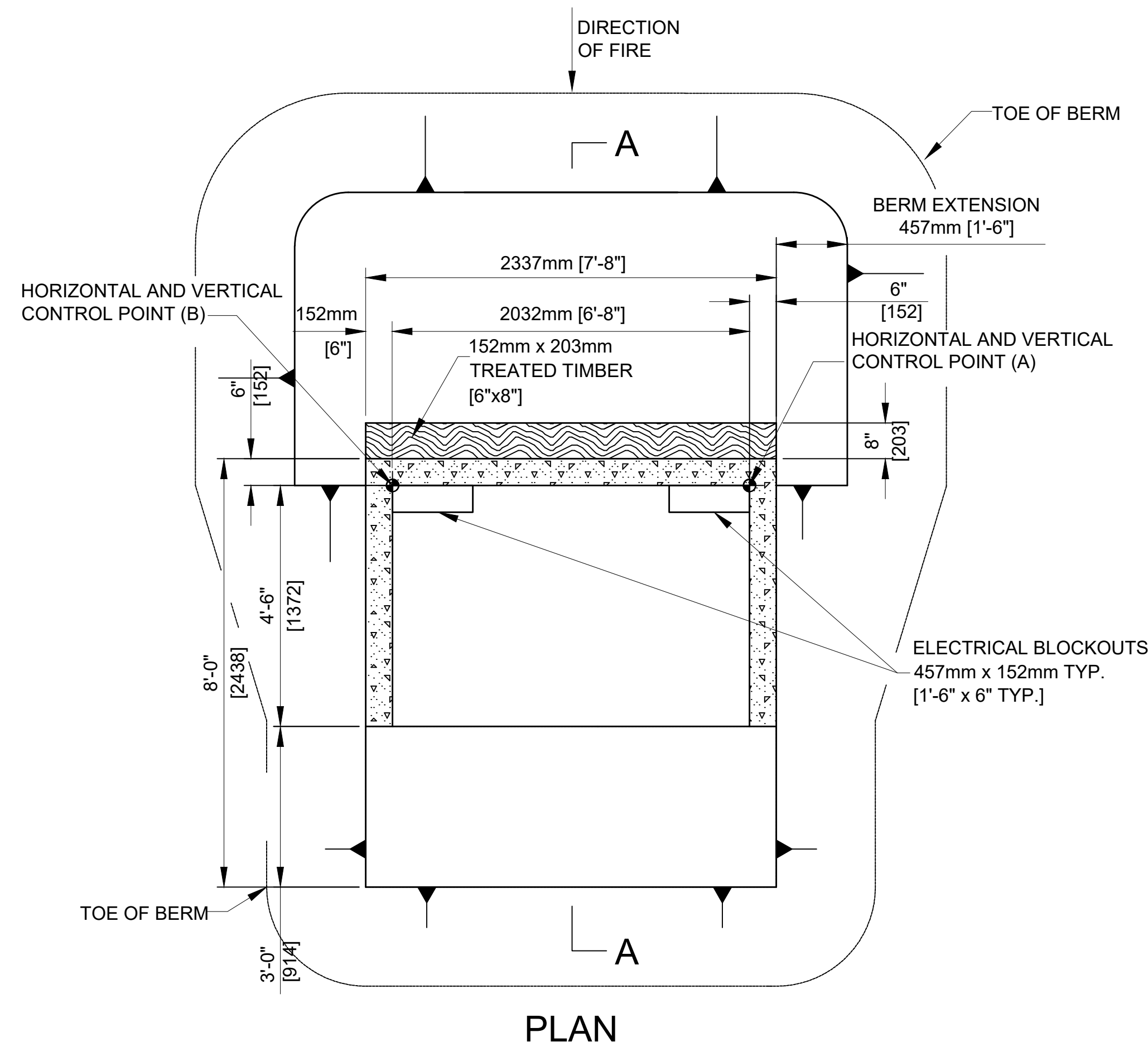
MICHAEL BAKER INTERNATIONAL
125 CAMBRIDGE PARK DRIVE, SUITE 502
CAMBRIDGE, MASSACHUSETTS 02140

AUTOMATED MULTIPURPOSE MACHINE GUN RANGE (MPMG)
CAMP EDWARDS JOINT BASE CAPE COD
BOURNE, MASSACHUSETTS





SECTION A-A



PLAN

GENERAL NOTES:

1. CONCRETE SHALL DEVELOP A MINIMUM COMPRESSIVE STRENGTH OF 28MPa (4000psi) IN 28 DAYS.
2. EMBLEMMENTS SHALL BE CONSTRUCTED OF REINFORCED CONCRETE; CONCRETE STRUCTURES SHALL BE PRECAST OR CAST-IN-PLACE. PRECAST STRUCTURE WILL HAVE LIFTING EYES CUT FLUSH.
3. ALL REINFORCING STEEL SHALL BE PER ASTM A615, GRADE 60.
4. AREAS DISTURBED BY CONSTRUCTION ACTIVITIES SHALL BE REVEGETATED OR RESURFACED CONSISTENT WITH THE NATURAL SURROUNDINGS. GROUND COVER SHALL NOT REDUCE TARGET VISIBILITY.
5. PLACE TREATED TIMBERS AGAINST CONCRETE WALL ON L102mm x 102MM x 12.7mm x 102mm [4"x4" x 1/2" x 4"] STEEL ANGLES SPACED A MAXIMUM OF 914mm [3'] ON CENTER. ATTACH ANGLE TO CONCRETE WITH CONCRETE ANCHORS.
6. ALL DIMENSIONS ARE INDICATED AS FOLLOWS: METRIC UNITS [ENGLISH] FOR INSTANCE, 1372mm [4'-6"]
7. HORIZONTAL CONTROL POINT (A) IS LOCATED ON THE LEFT SIDE OF TARGET AS VIEWED FROM THE FIRING POSITION.
8. PROVIDE 13mm [1/2"] CHAMFER ON ALL EXPOSED CONCRETE SURFACES.
9. LABEL EACH EMBLEMMENT. COORDINATE WITH RANGE CONTROL FOR NUMBERING SCHEME.
10. RETAINING WALLS MUST BE CONSTRUCTED OUT OF ADEQUATELY CONNECTED TREATED TIMBERS.
11. THE DESIGN MUST INCLUDE POSITIVE DRAINAGE AWAY FROM THE TARGET, INCLUDING BELOW GRADE EMBLEMMENTS.

Katherine Makar
06/19/20

1 WIDENED STATIONARY INFANTRY TARGET EMBLEMMENT
SCALE: 1" = 2'

DATE	REVISION MADE	BY	AUTHORIZED

AUTOMATED MULTIPURPOSE MACHINE GUN RANGE (MPMG)			
WIDENED STATIONARY INFANTRY TARGET EMBLEMMENT DETAILS			
DATE: 06/19/20	DES BY: DG	BAKER PROJECT NUMBER: 170789	SHEET NO: C-502
SCALE: AS NOTED	DWN BY: DG	GOV. PROJECT NUMBER: 250194FY19	75 OF 206
SIZE: ANSI D	CHK BY: KM		
FILE: C-502.DWG			

Michael Baker
INTERNATIONAL

MICHAEL BAKER INTERNATIONAL
125 CAMBRIDGE PARK DRIVE, SUITE 502
CAMBRIDGE, MASSACHUSETTS 02140

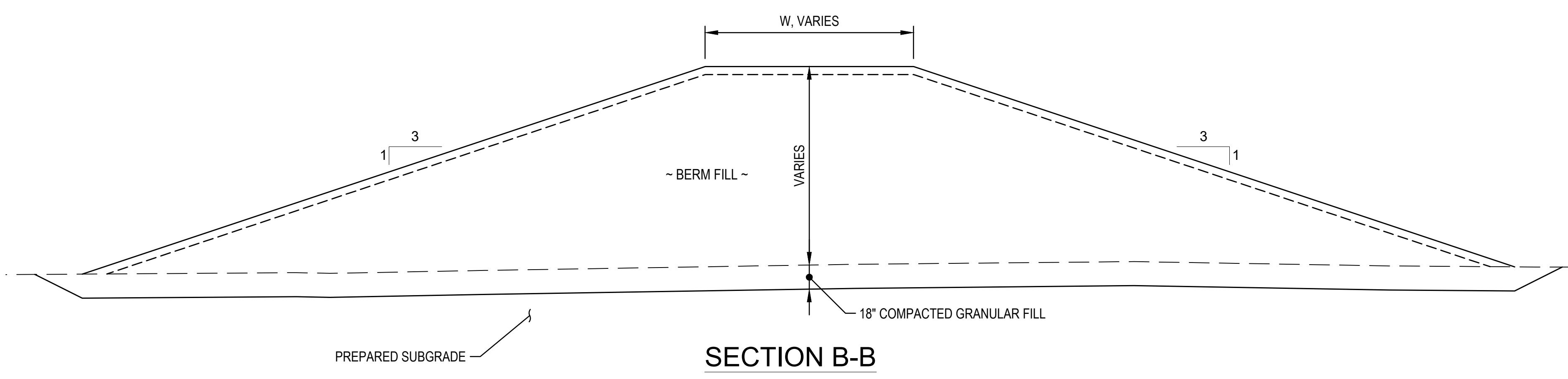
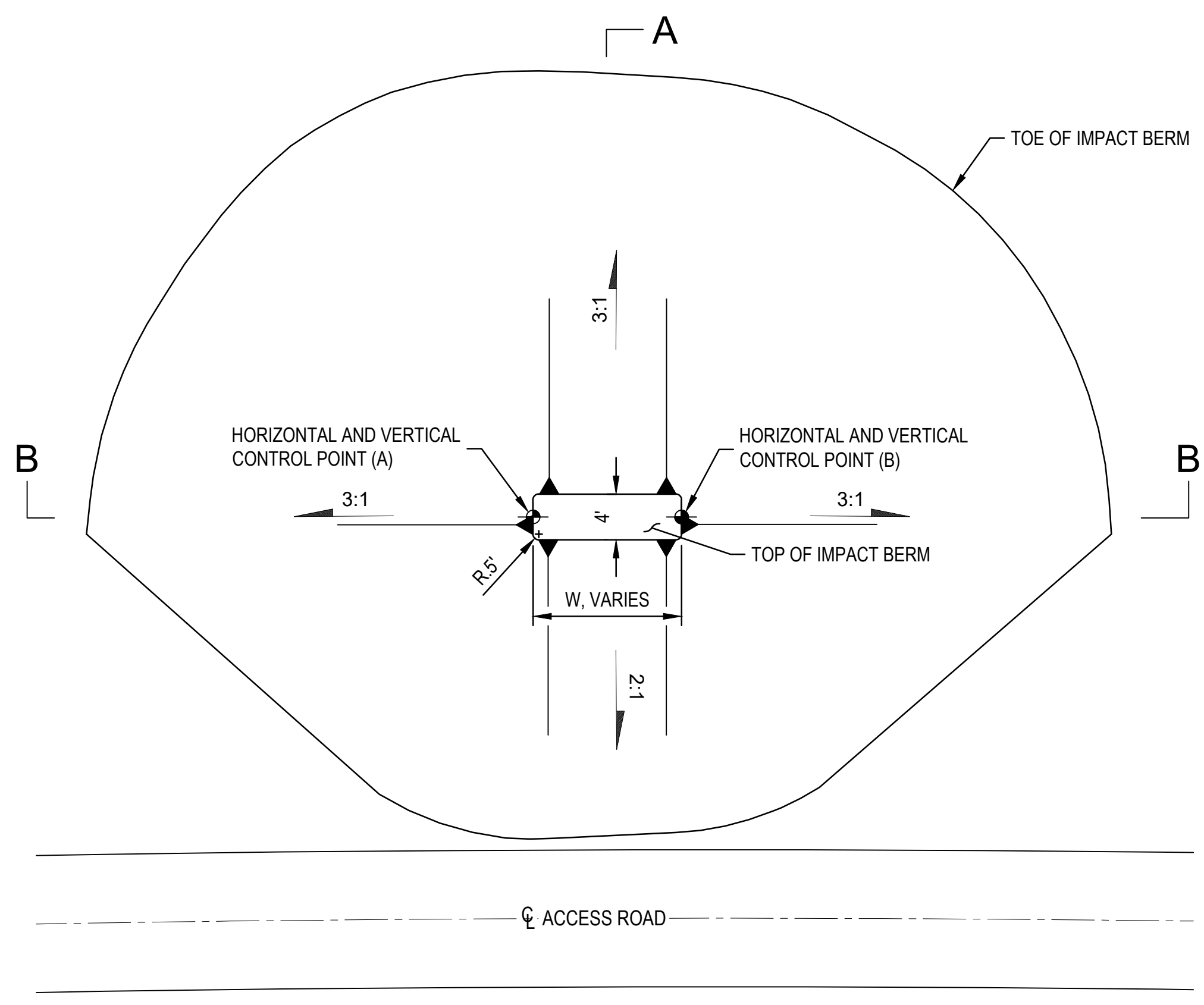
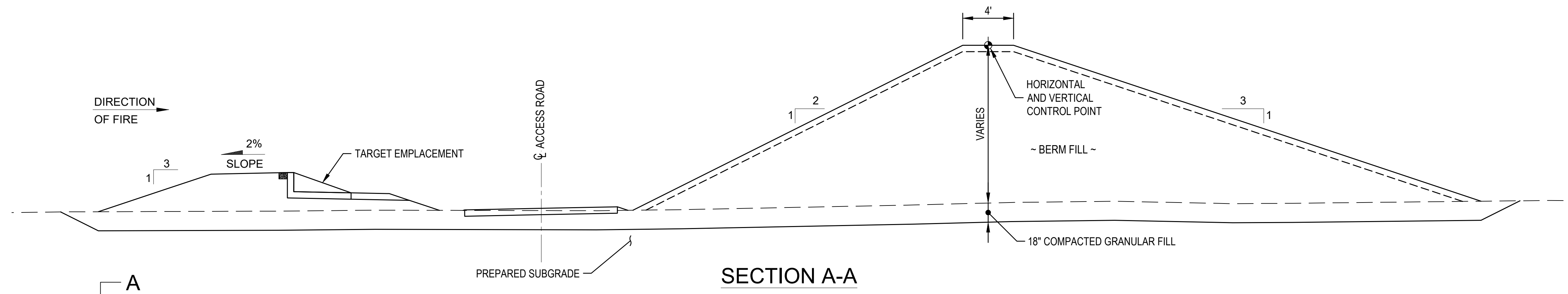
AUTOMATED MULTIPURPOSE MACHINE GUN RANGE (MPMG)
CAMP EDWARDS JOINT BASE CAPE COD
BOURNE, MASSACHUSETTS



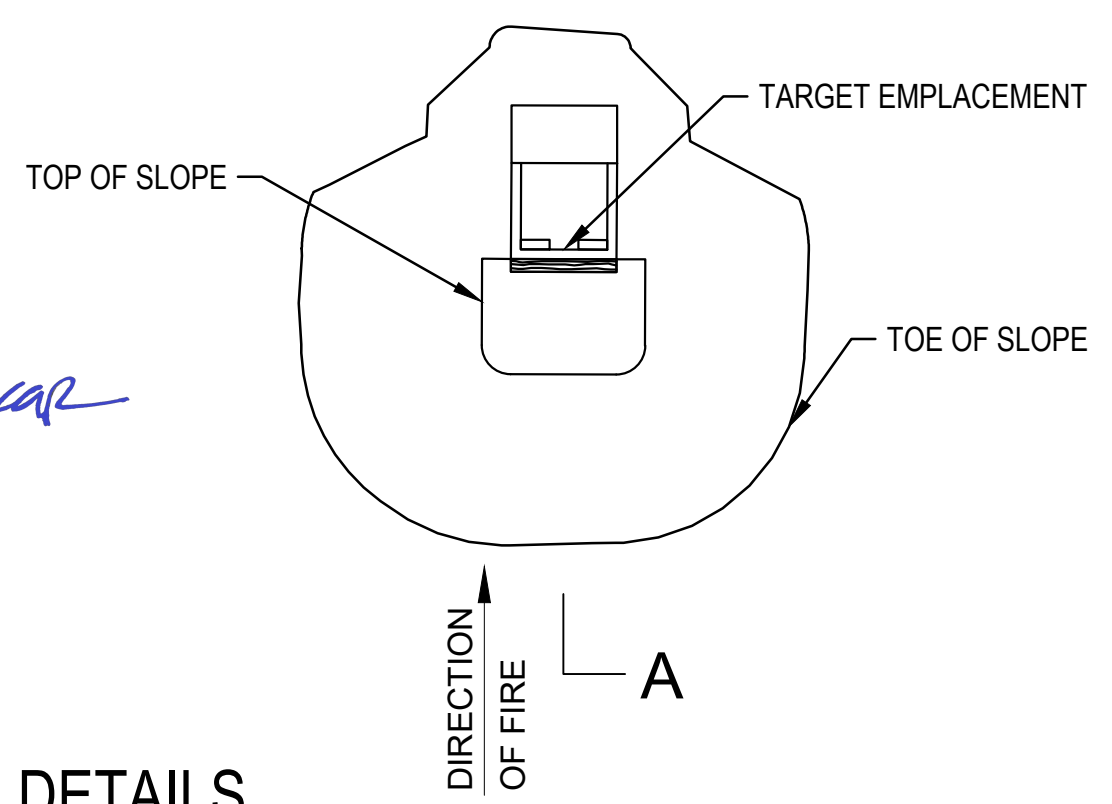
C:\CE_GUN_RANGE\600 CAD\CADD\CIVIL\TARGET\FILES\C-502.DWG - Jun 16, 2020 - 4:10 PM Plotted By: BURMEIER, DENNIS

BID DOCUMENTS

C:\CE_GUN_RANGE\600 CAD\CADD\CIVIL\DWG FILES\C-512.DWG Jun 17, 2020 - 11:43 AM Plotted By: BURNEIMER, DENNIS



IMPACT BERM WIDTH	
W	TARGET RANGE (M)
6.5'	100-300
9'	400
13'	500-800



1 IMPACT BERM DETAILS
SCALE: N.T.S.

DATE	REVISION MADE	BY	AUTHORIZED

AUTOMATED MULTIPURPOSE MACHINE GUN RANGE (MPMG)

IMPACT BERM DETAILS

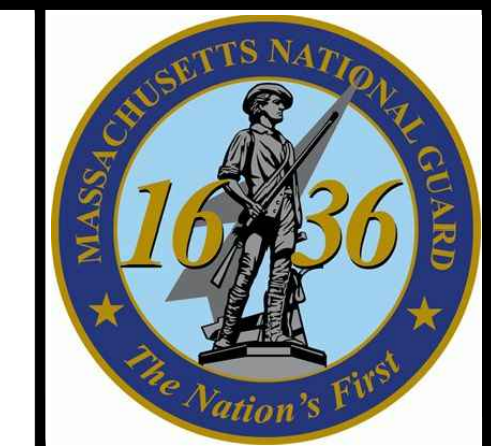
DATE: 06/19/20	DES BY: KM	BAKER PROJECT NUMBER: 170789	SHEET NO.: C-512
SCALE: AS NOTED	DWN BY: HAB	GOV. PROJECT NUMBER: 250194FY19	83 OF 206
SIZE: ANSI D	CHK BY: TFR	FILE: C-512.DWG	



Michael Baker
INTERNATIONAL

MICHAEL BAKER INTERNATIONAL
125 CAMBRIDGE PARK DRIVE, SUITE 502
CAMBRIDGE, MASSACHUSETTS 02140

AUTOMATED MULTIPURPOSE MACHINE GUN RANGE (MPMG)
CAMP EDWARDS JOINT BASE CAPE COD
BOURNE, MASSACHUSETTS



BID DOCUMENTS