



U.S. ENVIRONMENTAL PROTECTION AGENCY
Office of Pesticide Programs
Antimicrobials Division (7510P)
1200 Pennsylvania Ave., N.W.
Washington, D.C. 20460

EPA Reg. Number:

99121-2

Date of Issuance:

3/6/23

NOTICE OF PESTICIDE:

Registration
 Reregistration
(under FIFRA, as amended)

Term of Issuance:

Unconditional

Name of Pesticide Product:

Arresta

Name and Address of Registrant (include ZIP Code):

Julie Ownbey, Regulatory Agent
Grignard Pure, LLC
505 Capobianco Plaza
Rahway, NJ 07065
Electronic Transmittal: julie.ownbey@tsgconsulting.com

Note: Changes in labeling differing in substance from that accepted in connection with this registration must be submitted to and accepted by the Antimicrobials Division prior to use of the label in commerce. In any correspondence on this product always refer to the above EPA registration number.

On the basis of information furnished by the registrant, the above named pesticide is hereby registered under the Federal Insecticide, Fungicide and Rodenticide Act (FIFRA).

Registration is in no way to be construed as an endorsement or recommendation of this product by the Agency. In order to protect health and the environment, the Administrator, on his motion, may at any time suspend or cancel the registration of a pesticide in accordance with the Act. The acceptance of any name in connection with the registration of a product under this Act is not to be construed as giving the registrant a right to exclusive use of the name or to its use if it has been covered by others.

This product is unconditionally registered in accordance with FIFRA section 3(c)(5) provided that you:

1. Submit and/or cite all data required for registration/reregistration/registration review of your product when the Agency requires all registrants of similar products to submit such data.
2. Make the following label changes before you release the product for shipment:
 - Revise the EPA Registration Number to read, "EPA Reg. No. 99121-2."

Signature of Approving Official:

Steven Snyderman, Product Manager 33
RMB II, Antimicrobials Division (7510M)

Date:

3/6/23

3. Submit one copy of the revised final printed label for the record before you release the product for shipment.

Should you wish to add/retain a reference to the company's website on your label, then please be aware that the website becomes labeling under FIFRA and is subject to review by the Agency. See FIFRA section 2(p)(2). If the website is false or misleading, the product would be misbranded and unlawful to sell or distribute under FIFRA section 12(a)(1)(E). 40 CFR 156.10(a)(5) lists examples of statements EPA may consider false or misleading. In addition, regardless of whether a website is referenced on your product's label, claims made on the website may not substantially differ from those claims approved through the registration process, FIFRA section 12(a)(1)(B). Therefore, should the Agency find or if it is brought to our attention that a website contains false or misleading statements or claims substantially differing from the EPA approved registration, the website will be referred to the EPA's Office of Enforcement and Assurance.

If these conditions are not complied with, the registration will be subject to cancellation in accordance with FIFRA section 6. Your release for shipment of the product constitutes acceptance of these conditions. A stamped copy of the label is enclosed for your records. Please also note that the record for this product currently contains the following CSFs:

- Basic CSF dated 12/13/2022
- Alternate CSF #1 dated 12/13/2022

The following alternate brand names have also been approved:

- Pure Deodorizer
- Barrikade
- Grignard Pure

If you have any questions, please contact Jamie Gobreski by phone at 202-566-0748 or via email at gobreski.jamie@epa.gov.

Enclosure: Stamped Label and User Manuals

ACCEPTED

03/06/2023

Under the Federal Insecticide, Fungicide and Rodenticide Act as amended, for the pesticide registered under EPA Reg. No. 99121-2

Front Label:

Arresta™

[Scented] [Unscented]

[Additional Brand Names]:

{Pure Deodorizer} {Barrikade} {Grignard Pure}

For Use Only In Grignard Pure Time-Controlled Release Systems™: [Aura™] [MPU™] [Clarify™]

{AIRBORNE MOLD & MILDEW ODOR ELIMINATOR}

{Put This Shield Between You and Mold Odors™}
[Arresta] [Pure Deodorizer] [Barrikade] [Grignard Pure] is for non-public health use only

{For Commercial} {Institutional} and {Residential Use}

NOTE TO REVIEWER(S): These are optional label claims:

- Effective at [reducing] [eliminating] mold and mildew odors
- Reduces 95%* of mold and mildew that cause odor within 60 minutes
- Prevents growth of mold and mildew odors before they occur
- Eliminates and deodorizes mildew or musty odor in the air
- Eliminates the growth of mold and mildew that cause odors in the air in damp dark spaces
- [Eliminates] [and] [prevents] mold odor [growth] [problems]
- Stops the growth of mold and mildew that cause odor
- [Stops] [Controls] [Prevents] [Inhibits] [the growth of] [mildew] [mold] [mold and mildew] odor [growth] in the air
- Reduces [unpleasant] odors caused by mold
- Removes odor-causing mold from the air
- Prevents mold odors from forming
- Reduces the growth of mold which can cause [musty] [earthy] [stale] [and] [or] [damp] [odors]
- Odorless [and] colorless
- Prevents growth of mold and mildew odors before they occur, with three easy treatments
- Eliminates and deodorizes mildew or musty odor in the air, with one easy treatment

*Arresta is for non-public health use

Active Ingredient:

Triethylene Glycol52.25%

Other Ingredients.....47.75%

Total.....100.00%

KEEP OUT OF REACH OF CHILDREN

Made in the USA logo

Net Contents:

EPA Reg. No. 99121-E

EPA Est. No.

{Administrative Note: [Brackets throughout label indicate optional or instructional language]}

Back Label:

[See enclosed insert for additional directions for use and product information]

Directions for Use:

It is a violation of federal law to use this product in a manner inconsistent with its labeling.

[Arresta™] [This product] is intended to treat unoccupied spaces only.

Before using this product, read the device manual to ensure effective treatment.

[To eliminate mold and mildew odors in the indoor space, use once, for a 2-hour treatment as described below.]

[To prevent mold and mildew odors from occurring in an indoor space, use over three consecutive days for 2-hour durations as described below.]

STEP 1: Selecting the appropriate device and determining the amount to dispense

For Use Only In Grignard Pure Time-Controlled Release Systems™: [Aura™] [MPU™] [Clarify™]

Refer to this chart to ensure you are using the appropriate Grignard Pure-certified device as determined by the size of the space to treat.

You must adjust the device to dispense the amount of the product needed to treat the room. Since rooms are of different sizes, calculate the approximate volume of the space (floor space in square feet x height in feet of the ceiling).

DEVICE	SQ FT	ROOM DIMENSIONS	CEILING HEIGHT	CU FT	DURATION	DEVICE SETTINGS (In seconds)
Aura	100	10'x10'	8	800	2hr	50 on - 220 off
	200	20'x10'	8	1,600	2hr	300 on - 160 off
	400	20'x20'	8	3,200	2hr	900 on - 100 off
	800	20'x40'	8	6,400	2hr	900 on - 100 off
<hr/>						
Clarify	800	20'x40'	10	8,000	2hr	10 on - 60 off at 3% volume
	2,500	50'x50'	10	25,000	2hr	10 on - 30 off at 3% volume
	5,000	71'x70'	10	50,000	2hr	20 on - 30 off at 5% volume
	10,000	100'x100'	10	100,000	2hr	40 on - 30 off at 5% volume
<hr/>						
MPU	5,000	71'x70'	20	100,000	2hr	60 on - 30 off at 7% volume
	10,000	100'x100'	20	200,000	2hr	120 on - 10 off at 10% volume
	20,000	100'x200'	20	400,000	2hr	210 on - 10 off at 10% volume

Following the above instructions, the rate of consumption of [Arresta™] [the product] will not exceed 0.002 ml per cubic foot of space, per hour. Treat the space for 2 hours

[Note:

If the space is larger than 200,000 cubic feet, add devices so that the total of the volumes treated by the individual devices matches the size of the room. Each device should have approximately the same output. Example, 400,000 cubic feet would require two devices – 2 MPUs, each with a setting to treat 200,000 cubic feet.]

STEP 2: Identify the air handling environment

{The air handling environment refers to whether the indoor space to be treated is (a.) within (smaller than) the total coverage area of one air handler or (b.) the entire air handler coverage area}

Note: An air handler is part of the HVAC system. It works alongside the heating and air conditioning system to distribute air evenly around the indoor space. Air handlers contain a blower to circulate air and a filter to remove debris and help the system work more efficiently.

Directions for treating an indoor space that is within (smaller than) the total coverage area of one air handler:

For the devices Aura™, Clarify™ or MPU™

- Turn off the HVAC. Set the fan (air handler) to “Auto.”
- Close or cover all doors, windows, air vents and returns to isolate the treated space from air circulation with other parts of the building.
- Place the appropriate device on a surface or the floor away from anything that could obstruct the dispersion of [this product] [Arresta™] into the space.
- Operate the device in accordance with instructions in Step 3 below.
- Ensure that the space remains unoccupied for the duration of the treatment
- You may re-enter the space 30 minutes after the device has stopped dispersing this product.
- Upon re-entry to the space, open doors, windows, air vents and returns and turn ventilation back on.
- If treating the indoor space to prevent mold and mildew odors from occurring, for best results, repeat use for three consecutive days, not exceeding 2-hour durations per day.
- Repeat as appropriate.

Directions for treating all indoor spaces that are in the coverage area of one HVAC air handler, to isolate the space to be treated from other parts of the building:

- For the device Clarify™ or MPU™ Turn air handler HVAC fans to “On.”
- Place the device on a surface or the floor away from anything that could obstruct the dispersion of this product into the space.
- Ensure that the space remains unoccupied for the duration of the treatment
- You may re-enter the space 30 minutes after the device has stopped dispersing the product
- If treating the indoor space to eliminate mold and mildew odors, use once, for a 2-hour treatment.

- If treating the indoor space to prevent mold and mildew odors from occurring, for best results repeat use for three consecutive days, not exceeding 2-hour durations per day.]

STEP 3: Directions for device use

This product can only be used in Grignard Pure Time-Controlled Release Systems™: [Aura™] [MPU™] [Clearify™] devices.

Always make sure the device is plugged in and there is a sufficient amount of [Arresta™] [this product] fluid in the reservoir.

Filling the reservoir

When filling the reservoir on any Grignard Pure device, remove the reservoir from the device and unscrew the cap. Make sure you place the reservoir on a hard, flat surface to avoid spilling. Carefully pour [Arresta™] [this product] from the container into the reservoir. Be sure to wipe up any spills immediately. Once you have filled the reservoir, screw the cap back on and make sure it is tight. Then screw the cap back on the container of [Arresta™] [this product]. Return the reservoir into the device.

[Aura:

- For Manual Operation of the device: set it to disperse for 2 hours, engage it to operate, ensure it is dispersing, and then leave the space.
- For Pre-scheduled operation: Refer to the “How to Set the Timer” instructions located on the inside left panel of the Aura™ device.
- Set the timer on the device to disperse for 2 hours, engage it to operate, ensure it is dispersing and then leave the space.
- Repeat as appropriate.

Clearify™ or MPU™:

- For Manual Operation: set it to disperse for 2 hours, engage it to operate, ensure it is dispersing, and then leave the space.
- For Pre-scheduled operation:
 - Make sure the external timer is attached to the device (the external timer comes with the Clearify™ and the MPU™)
 - Set the external timer on the device to disperse for 2 hours, engage it to operate and then leave the space.
- Repeat as appropriate

Storage & Disposal: Do not contaminate water, food, or feed by storage or disposal.

Storage: Keep container tightly closed and properly labeled. **Shelf Life:** Product is stable in an unopened sealed container for 3 years. Once opened product is stable for one year if the cap is closed when the product is not in use. **Product Disposal:** Follow Federal, State, provincial and local Government requirements for waste removal. **Container Handling:** Non-refillable container. Do not reuse or refill this container. Offer for recycling if available, or place in trash collection.

[Surfaces: When utilized as an airborne mold and mildew odor eliminator, [this product] [Arresta™] will not harm surfaces, including: [both] [non-porous] [semi-porous] [porous] [hard] [and fabric] surfaces [wallboard,] [plaster,] [wood,] [metal,] [masonry,] [concrete,] [tile,] [curtains,] [slipcovers,] [upholstery,] [cushions,] [clothing,] [and] [animal bedding]].

Attention: At all times fire monitoring systems must be in use in accordance with local, State and Federal requirements. In rare cases, air treatment may activate photoelectric smoke detectors. This is not expected when the product is used as directed.

Questions / Comments call: 1-855-642-PURE (7873). **Mfd. For Grignard Pure, LLC, 505 Capobianco Plaza, Rahway, NJ 07765.**

[Arresta™, Aura™, MPU™, Clarify™, Time Controlled Release System™, are all registered trademarks of Grignard Pure, LLC.]

{Product Claims}:

Reduces mold odors in unoccupied indoor spaces including:

Animal care areas	Indoor play areas
Air Cargo areas	Indoor Farm premises
Animal clinics, centers	Hospitality areas
Animal -and/or- pet boarding facilities,	Healthcare facilities, Health clubs
Animal hospital	Indoor spaces at Production farms
Animal housing facilities veterinary clinics,	Lunch Rooms / Break Rooms
Animal shelters	Long-term care facilities
Animal pens	Indoor Stables, Stalls
Athletic facilities	Immigration Facilities
Automobiles	Process[ing] areas, plants
Animal laboratories	Police Department Buildings and Vehicles
Animal Stall	Prisons
Bathrooms, Toilet areas	Storage facilities
Back of house operations	Storage areas
Barns, Bovine -and/or- equine	Swine facilities, [Swine] facilities
Chicken Coops	Storage areas
Cars, Trucks	Veterinary Examination Rooms
Child care centers	Veterinary X-ray rooms, Workplaces
Court Houses	Veterinary operating rooms
Control rooms	Veterinary facilities
Elevators	[Veterinary] hospitals,
Daycare facilities -or- centers	[Veterinary] exam[ination] rooms
Fire Department Buildings and Vehicles	Waste Water Facilities
Front of house operations	Warehouses
HVAC Systems	Warehouse Distribution Centers
Health clubs	Workplaces
Homes, Houses	Waiting Rooms
Home Indoor play areas	Venues, Auditoriums
Hospitals	Visiting Areas

{Product Label Claims}

- Reduces Musty odors caused by mold and mildew
- Leaves no residue
- Leaves no odor
- Reduces 95% of mold and mildew odors in the air
- [Eliminates] mold odor [Growth] from the Air when utilized for 2 hours, using any one of the three Grignard Pure-certified devices described on the label.
- [Eliminates] [Prevents] [Reduces] [Controls] mold odor growth from the air when utilized for 2 hours per day for 3 days, using any one of the three Grignard Pure-certified devices described on the label.
- Deodorizer
- Controls [Inhibits] mold and mildew odor in the air [leaving a fresh clean scent] [leaving rooms clean and fresh smelling].
- Helps prevent mold and mildew odor of economical or aesthetic significance in [places vulnerable to mold], [including:] Basements, Bathrooms, Vacation homes, Boat interiors, , Attics, Garages, Crawl spaces, Garden sheds, [enclosures]
- [Removes,] [Eliminates,] [and] [Prevents] mold [and] [mildew] odor in the air.
- Effective against [mildew] [mold] [mold and mildew] odor in the air
- Eliminates odors at the source
- Reduces mold and mildew odors in the air when utilized for 2 hours per day for 3 days
- Prevents mold and mildew in the air in dark spaces where they thrive
- Fresh scent



Arresta™ User Manual



The Aura™ is a dispersion unit certified by The Grignard Pure company to be used only with products sold by Grignard Pure, LLC, including Arresta™.

Table of Contents

1. CONTENTS	3
2. INTRODUCTION	3
3. PARTS AND CONFIGURATION	4
4. DEVICE SETUP	4
4.0 OVERVIEW	4
4.1 PHYSICAL SETUP:	5
4.2 THE LED SCREENS AND BUTTONS:	5
4.3 THE START UP SCREEN	6
4.4 SETTING THE TIME	7
4.5 FACTORY RESET	7
5. PROGRAMMING TREATMENT TIMEFRAMES	7
5.1 DAILY SETTINGS:	8
5.2 MANUAL OPERATION	8
5.3 PRE-SCHEDULED OPERATION	8
6. TECHNICAL SPECIFICATIONS	11
7. RETURN INFORMATION	11

1. Contents

Ships with and Additional Resources

Unit ships with:

- 1 – Dispersion Unit
- 1 – Plastic Filter / Nozzle
- 1 – Power Cord
- 1 – Mounting Template
- 2 – Mounting Screws
- 1 – Quick Start Guide
- 1- Operating Manual

2. Introduction

The Aura™ is a dispersion unit certified by Grignard Pure, LLC to be used only with products sold by Grignard Pure, LLC, including Arresta™, a product registered by the EPA intended to treat the air by preventing or eliminating mold and mildew odors in the air.

The Aura™ is a self-contained delivery system designed to effectively treat the air in small to medium sized rooms, such as conference and meeting rooms, offices, office lobbies, corporate medical offices rooms, classrooms, hotel rooms, breakrooms, and locker rooms.

Based on the size and ceiling height of the space, multiple Aura's™ devices may be deployed to ensure the proper concentration levels of Arresta™.

Grignard Pure Time-Controlled Release Systems™

The Aura™ is programmed using a timer scheduling feature to disperse Arresta™ at the proper time, duration and concentration level for treatment of the entire space. Upon completion, the space is effectively treated.

3. Parts and Configuration



4. Device Setup

4.0 Overview

Always make sure the device is plugged in and there is a sufficient amount of Arresta™ in the reservoir.

Filling the reservoir

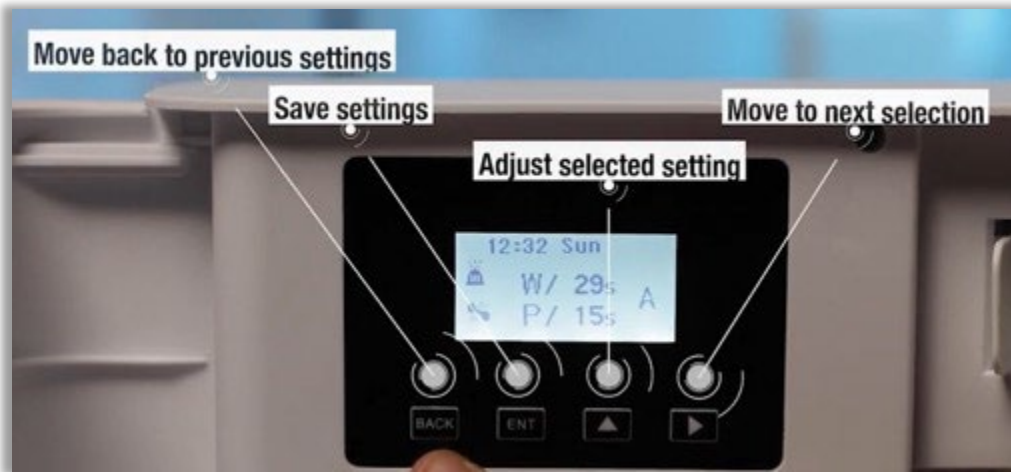
When filling the reservoir on any Grignard Pure device, remove the reservoir from the device and unscrew the cap. Make sure you place the reservoir on a hard, flat surface to avoid spilling. Carefully pour Arresta™ from the container into the reservoir. Be sure to wipe up any spills immediately. Once you have filled the reservoir, screw the cap back on and make sure it is tight. Then screw the cap back on the container of Arresta™. Return the reservoir by placing it back into the device.

4.1 Physical setup:

1. Step by step set-up:
 - Unlock and open the unit's front doors
 - Open the atomizers retaining latch on the upper right interior
 - Unscrew the filter/nozzle. Slide the reservoir and the atomizer out of the unit.
 - Unscrew the reservoir and the dispersion coil which is on top of the reservoir
 - Fill reservoir using a funnel to prevent spillage
 - Screw reservoir and dispersion coil together
 - Replace in unit, inlet facing to the rear
 - Close atomizer latch
 - Screw in filter/nozzle on top of the unit
 - Extend the fan vent (if recessed) located behind the filter/nozzle – slide upward to open
2. For efficacy purposes, never dilute Arresta™ [the product].
3. Secure all tank and pump parts, latches, and connections.
 - After programming and testing the unit, lock the front doors of the unit during operation to reduce noise.

4.2 The LED Screens and Buttons:

- With the doors to the Aura™ open, locate the LED screen on the inside left section.
- There are 4 Operational Buttons
 - Back – moves the cursor to the previous position
 - ENT – used to select and save programs
 - Up Arrow – used to increase numbers used in the settings
 - Right Arrow – used to move to the next adjustable position



4.3 The Start Up Screen

- Insert the power cord into the Plug Input on the unit and the plug into an electrical outlet. Toggle the power switch on the side of the Aura™ to “On”. The LED screen will light up.
 - The Plug Input and On/Off switch are located on the left exterior side of the unit
- The Screen opens to the Start Up Screen



4.4 Setting the Time

You must first set the proper time on the device clock, before setting the program timing.

- This is crucial to ensure accurate scheduling.
- The device works on military time, a 24-hour daily clock

Setting the proper date and time:

- Push the Up Arrow and the Right Arrow at the same time
- The screen is now in Time/Date Setup mode.
- Use the Right Arrow button to move positions
- Use the Up Arrow button to modify specific position values
- Ensure all information is accurate
- Press Ent to save your settings



4.5 Factory Reset

The programming options can be variable by day and by the hour. You may need to clear all current programming and reset to the factory settings to start new programming.

Factory Reset: Hold down Back Arrow and Right Arrow for 5 Seconds

5. Programming Treatment Timeframes

The Aura™ comes with a robust easy to configure programming tool available via the LCD screen and buttons on the left interior panel of the unit.

Prior to programming any schedule be sure the time and date are set properly via instructions in section 4.4.

Setting schedules consists of setting the day, time of day and the interval of working dispersion (W) and pause (P):

- The Aura™ can run on a constant, or variable, daily schedule over the course of a week.

5.1 Daily Settings:

Setting a program for **Monday only** will set the device to run that program every day, 7 days a week. If any other day has been programmed, each day of desired treatment must be programmed individually.



5.2 Manual Operation

For Manual Operation of the device: set it to disperse for 2 hours, engage it to operate, ensure it is dispersing, and then leave the space.

5.3 Pre-Scheduled Operation

The Aura™ can be deployed programming a **Time Controlled Release Treatment** of a space. The timer scheduling feature is used to disperse Arresta™ the proper duration and concentration level for treatment of the entire space.

Programming Instructions:

- Press the Right Arrow Button to activate the programming mode.
- The day selection will blink. Use the Up Arrow to select the appropriate day to begin programmed schedule.

- Setting a program for **Monday only** will set the device to run that program every day, 7 days a week
- Hit the enter (ENT) Button to display the programming screen for each specific day.
- Refer to the table below for programming your device.

DEVICE	SQ FT	ROOM DIMENSIONS	CEILING HEIGHT	CU FT	DURATION	DEVICE SETTINGS (In seconds)
Aura	100	10'x10'	8	800	2hr	50 on - 220 off
	200	20'x10'	8	1,600	2hr	300 on - 160 off
	400	20'x20'	8	3,200	2hr	900 on - 100 off
	800	20'x40'	8	6,400	2hr	900 on - 100 off

- Working and Pause times are in seconds
 - Working (On) = dispersing Arresta™ fluid
 - Pause (Off) = waiting for next dispersion cycle
- Start and End times are important
 - These times are in military time format
 - The 24-Hour clock
 - Select a 2 hour period when no one will be in the treatment area.
 - Repeat as appropriate

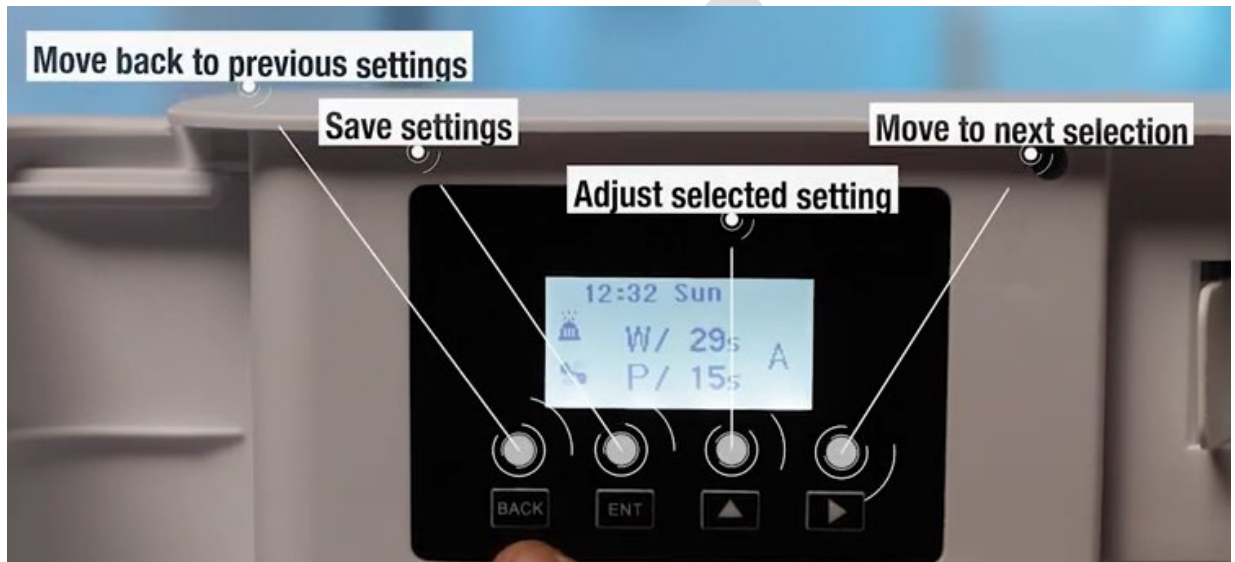


AURA INSTRUCTIONS FOR SETTING TIMER

Step 1 – Ensure that there is fluid in the tank, the tank is properly attached, and that the device is plugged in.

Step 2 – Turn on device via the on/off button on the side of the unit

The LED screen will light up and allow you to start programming your dispersion schedule



Step 3 – Date / Time Setup (If not already programmed)

- a. Press Up Arrow and Right Arrow simultaneously to open settings screen
- b. Use the Up Arrow to adjust the numbers and the Right Arrow to move to the next number to be set.

Step 4 – Operating Time Programming

- a. Press the right arrow one time to open Program Settings
- b. The day will be blinking, use the Up Arrow to change the day
- c. Programming **Monday** and **no other days** will default the settings for every day to the Monday program
- d. Once you are on the day you wish to program hit the ENT button.
- e. Use the Up Arrow to adjust the numbers and the Right Arrow to move to the next number to be set.
- f. Refer to chart below for a space similar to yours in size:
 - i. Program the Start and End Times to set the correct duration (military time used: hrs. 1-24)
 - ii. Program the Working and Pause Time settings
- g. Press the ENT Button to save your settings.

Step 5 – Repeat Step 4 for any additional days you wish to program until your week is fully programmed.

Step 6 – Leave unit powered on to run your scheduled dispersion patterns.

6. Technical Specifications

Functional principle	Mold and Mildew Odor Prevention and Elimination
Power	Power: 120V/240V (Power Cable Included) 12V DC
Fluid tank	700 ml
Fluid consumption	.06 ml / min Est. Full tank: 50weeks @ 2 Hrs. Daily for 500ft ³ setting Est. Full tank: 21weeks @ 2 Hrs. Daily for 1200ft ³ setting
Power adapter	AC/DC Power Adapter
Supported types of fluids cover	Arresta™
Weight	4.5 lbs (2kg)
Dimensions (Height / Length / Depth)	8.5" (22cm) H x 11.75" (30cm) W x 4.5" (11.43cm) D

7. Return Information

Send the product prepaid, in the original box, and with the original packing and accessories. Grignard Pure will not issue call tags.

Call Grignard Pure® and request a Return Merchandise Authorization (RMA) number before shipping the product. Be prepared to provide the model number, serial number, and a brief description of the cause(s) for the return.

Clearly label the package with an RMA number. Grignard Pure will refuse any product returned without an RMA number.

Write the RMA number on a properly affixed label. DO NOT write the RMA number directly on the box.

Before sending the product, clearly write the following information on a piece of paper and place it inside the box:

- Your name
- Your address
- Your phone number
- RMA number
- A brief description of the problem

Be sure to pack the product properly. Any shipping damage resulting from inadequate packaging will be your responsibility. FedEx or UPS packing, or double boxing are recommended.

Return to:

Grignard Pure: Return

505 Capobianco Plaza

Rahway, NJ. 07065



Arresta™ User Manual



The Clearify is a dispersion unit certified by The Grignard Pure Company to be used only with products sold by Grignard Pure, LLC, including Arresta

Table of Contents

1. BEFORE YOU BEGIN	4
WHAT IS INCLUDED.....	4
CLAIMS.....	4
TEXT CONVENTIONS.....	4
SYMBOLS.....	4
SAFETY NOTES	5
PERSONAL SAFETY.....	5
MOUNTING AND RIGGING	5
POWER AND WIRING.....	5
OPERATION	5
2. INTRODUCTION	6
DESCRIPTION	6
FEATURES	6
REQUIRED ACCESSORIES.....	6
PRODUCT OVERVIEW	6
PRODUCT DIMENSIONS.....	7
3. SETUP	8
AC POWER.....	8
AC PLUG	8
RESETTING THE BREAKER	8
RESERVOIR ACCESS	8
REMOTE RESERVOIR HOSE.....	8
MOUNTING.....	9
<i>Orientation</i>	9
<i>Rigging</i>	9
<i>Procedure</i>	9
<i>Adhesive Washers</i>	9
<i>Mounting Diagram</i>	9
4. OPERATION.....	10
SETUP- PUMP PRIMING	10
<i>Turn on machine</i>	10
<i>Pump Priming</i>	10
OPERATING THE DEVICE.....	10
<i>Step 1 – Prime the device (see previous section)</i>	12
<i>Step 2 – Choose configuration (see table below)</i>	12
<i>Step 3 – Program Configuration</i>	12
<i>Step 4 – Operate Device</i>	12
CLEANING THE DEVICE.....	14
REPLACING ARRESTA™ FLUID.....	14
CONTROL PANEL DESCRIPTION	15
STORAGE.....	15
POWER SHUTDOWN MODE (STANDBY)	15
4. TECHNICAL SPECIFICATIONS	16
5. RETURNS	17

6. **EDITION NOTES**..... 17

TRADEMARKS..... 17

COPYRIGHT NOTICE..... 17

MANUAL USE 17

DOCUMENT PRINTING 18

INTENDED AUDIENCE..... 18

DISCLAIMER..... 18

DRAFT

1. Before You Begin

What Is Included

- Clarify™
- 4-inch removable output flange
- 1 GP fluid hose assembly
- 1 cleaning solution hose assembly
- Washer/screw set
- Mounting bracket
- Quick Reference Guide

Claims

Carefully unpack the product immediately and check the container to make sure all the parts are in the package and are in good condition.




If the box or the contents (the product and included accessories) appear damaged from shipping, or show signs of mishandling, notify the carrier immediately, not Grignard Pure. Failure to report damage to the carrier immediately may invalidate your claim. In addition, keep the box and contents for inspection.

For other issues, such as missing components or parts, damage not related to shipping, or concealed damage, file a claim with Grignard Pure within 7 days of delivery.

Text Conventions

Convention	Meaning
1–512	A range of values
50/60	A set of values of which only one can be chosen
Settings	A menu option not to be modified
<ENTER>	A key to be pressed on the product's control panel

Symbols

Symbol	Meaning
	Critical installation, configuration, or operation information. Not following these instructions may make the product not work, cause damage to the product, or cause harm to the operator.
	Important installation or configuration information. The product may not function correctly if this information is not used.
	Useful information.

Safety Notes

Read all the following safety notes before working with this product. These notes contain important information about the installation, usage, and maintenance of this product.



This product contains no user-serviceable parts. Any reference to servicing in this User Manual will only apply to properly trained, certified technicians. Do not open the housing or attempt any repairs.



All applicable local codes and regulations apply to proper installation of this product.

Personal Safety

- Always disconnect from power before servicing.
- Do not operate this product if the housing, fluid tank, reservoir hoses, or cables appear damaged.
- Do not use for space heating purposes.
- Do not touch the output nozzle on this product. It is very hot during operation and it may remain hot for several hours after turning the product off.

Mounting and Rigging

- For indoor use only. DO NOT use this product outdoors or expose it to water (IP20).
- Do not leave any flammable material within 50 cm of this product while operating or connected to power.
- Always mount the product in an upright position.

Power and Wiring

- Do not carry the product by the power cord.
- Never disconnect this product from power by pulling on the cord.
- This product designed for use at 120 V, 60 Hz. Do not connect this product to a dimmer or rheostat.
- Only connect this product to a grounded and protected circuit.

Operation

- Only use Grignard Pure' Arresta™ Fluid.
- Do not add anything to the fluid.
- Be sure to run the manual cleaning cycle regularly with the approved cleaning solution.
- The maximum ambient temperature is 104 °F (40 °C). Do not operate this product at higher temperatures.
- In the event of a serious operating problem, stop using immediately.
- To eliminate unnecessary wear and improve its lifespan, during periods of non-use set the power switch to the OFF position.
- CAUTION: When transferring product from extreme temperature environments, (e.g. cold truck to warm humid ballroom) condensation may form on the internal electronics of the product. To avoid causing a failure, allow product to fully acclimate to the surrounding environment before connecting it to power.



If your Clearify product requires service, contact Grignard Pure, LLC.

2. Introduction

Description

The Clearify™ is a dispersion unit certified by Grignard Pure, LLC to be used only with products sold by Grignard Pure, LLC, including Arresta™, a product registered by the EPA for use in preventing or eliminating mold and mildew odors in the air.

The Clearify™ is a self-contained delivery system designed to effectively treat medium sized rooms, such as conference and meeting rooms, offices, office lobbies, corporate medical offices rooms, classrooms, hotel rooms, breakrooms, and locker rooms.

Based on the size and ceiling height of the space, multiple Clearify™ devices may be deployed to ensure the proper concentration levels of Arresta™.

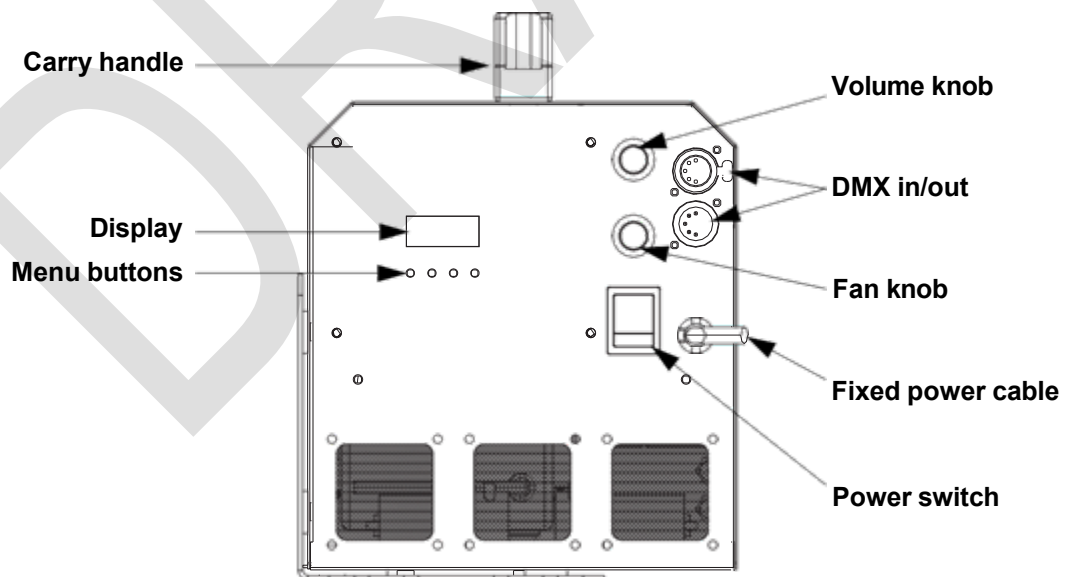
Features

- Variable output dispersion machine for portable and install applications for use with Arresta™.
- Variable output volume and fan control allow the machine to work with a wide range of room sizes
- Low Arresta™ fluid alert (triggered when 80% of fluid is depleted based on calculated fluid usage) alerts the user to replace the Arresta™ fluid
- Automatic cleaning function for unattended maintenance and a long life of the heating element
- Dual pump design (separate Arresta™ fluid and cleaning fluid pumps) enhances performance and reduces maintenance
- Fluid tanks refillable or swappable for flexible fluid replacement (swappable tanks avoid spillage)
- Timer function allows interval output of the machine
- Manual output volume and fan speed control knobs included for instant control
- Integrated output fan for added dispersion
- Ability to connect to remote reservoir for larger capacity and more convenient refilling
- Included mounting bracket

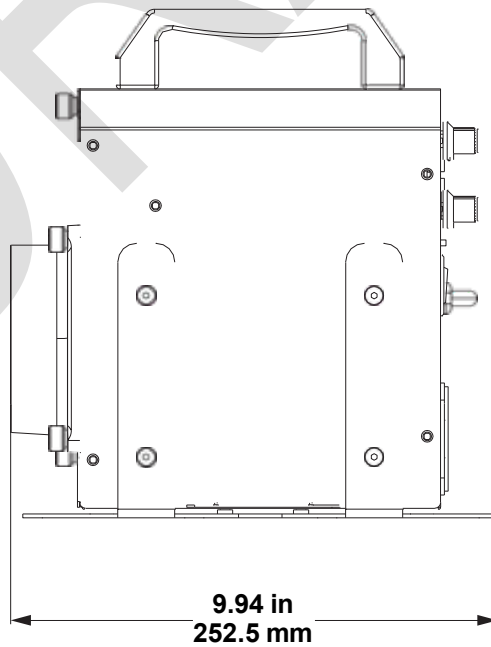
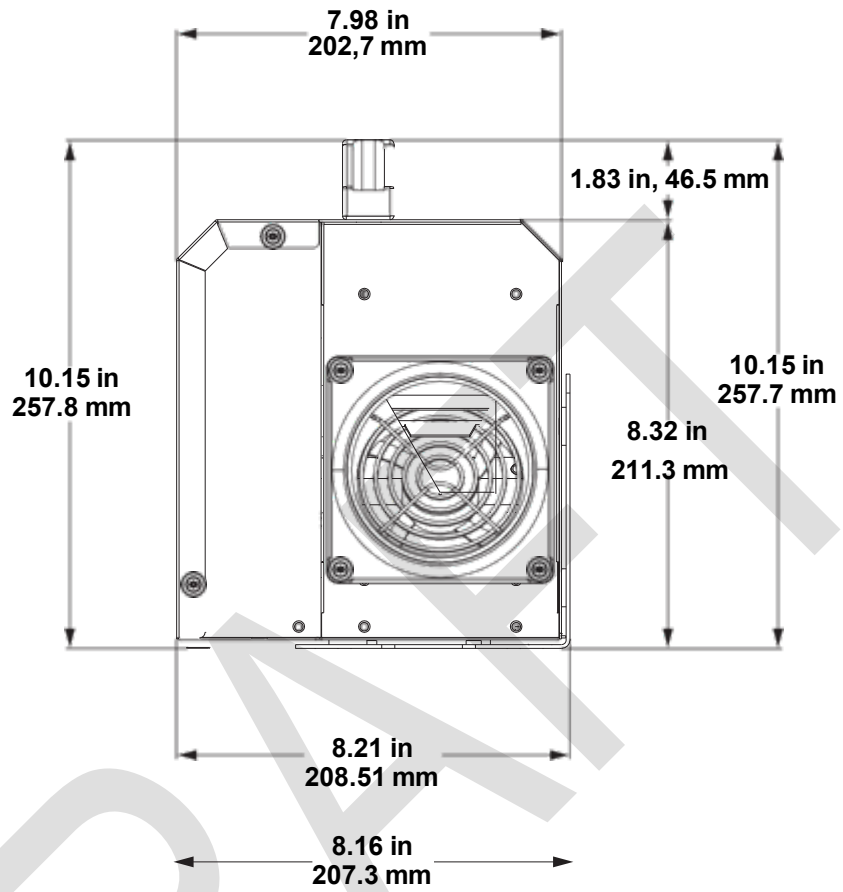
Required Accessories

- Arresta™ Fluid
- Grignard Cleaning Solution

Product Overview



Product Dimensions



3. Setup

AC Power

The Clearify™ has a fixed-voltage power supply that works with an input voltage of 120 VAC, 60 Hz. To determine the product's power requirements (circuit breaker, power outlet, and wiring), use the current value listed on the label affixed to the product's top panel, or refer to the product's specifications chart. The listed current rating indicates the product's average current draw under normal conditions.



- **Always connect the product to a protected circuit (a circuit breaker or fuse). Make sure the product has an appropriate electrical ground to avoid the risk of electrocution or fire.**
- **To eliminate unnecessary wear and improve its lifespan, during periods of non-use set the power switch to the OFF position.**



Never connect the product to a rheostat (variable resistor) or dimmer circuit, even if the rheostat or dimmer channel serves only as a 0 to 100% switch.

AC Plug

The Clearify comes with a fixed power input cord terminated with an Edison plug on the other end (U.S. market). If you need to change the plug, use the table below to wire the new plug.

Connection	Wire (U.S.)	Screw Color
AC Live	Black	Yellow or Brass
AC Neutral	White	Silver
AC Ground	Green/Yellow	Green

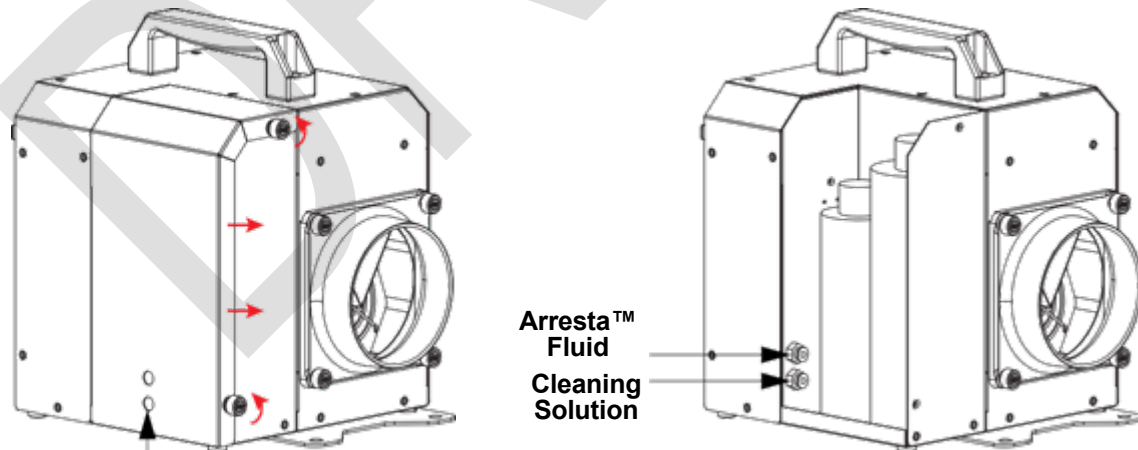
Resetting the Breaker

The power switch operates as a resettable circuit breaker (10 A, 125 V). If the breaker trips, all sections of this product will lose power.

1. Remove the power cord from main power.
2. Allow the product to cool for 15 minutes.
3. After 15 minutes, you may attempt to reset the breaker by setting the power switch to the RESET position.
4. Plug the product's power cord into the power outlet and continue using as recommended.

Reservoir Access

To access the fluid reservoirs and hoses, remove 2 thumbscrews and slide the cover off.



Holes for hoses to external fluid reservoirs

Remote Reservoir Hose

The Clearify™ has been tested to work with fluid hoses extending as far as 50 ft (15.24 m) from the product. For a proper fit, the reservoir hose for the Arresta™ and cleaning solutions must have the following dimensions: 0.15 in (4 mm) outer diameter, 0.09 in (2.5 mm) inner diameter.

Mounting

Before mounting the product, read and follow the safety recommendations indicated in the [Safety Notes](#).

Orientation

Always mount this product in an upright and stable position, making sure there is adequate room for ventilation, configuration, and maintenance.

Rigging

Chauvet recommends using the following general guidelines when mounting this product.

- Before deciding on a location for the product, make sure there is easy access to the product for maintenance and programming purposes.
- Make sure that the structure onto which you are mounting the product can support the product's weight. See the [Technical Specifications](#) for weight information.

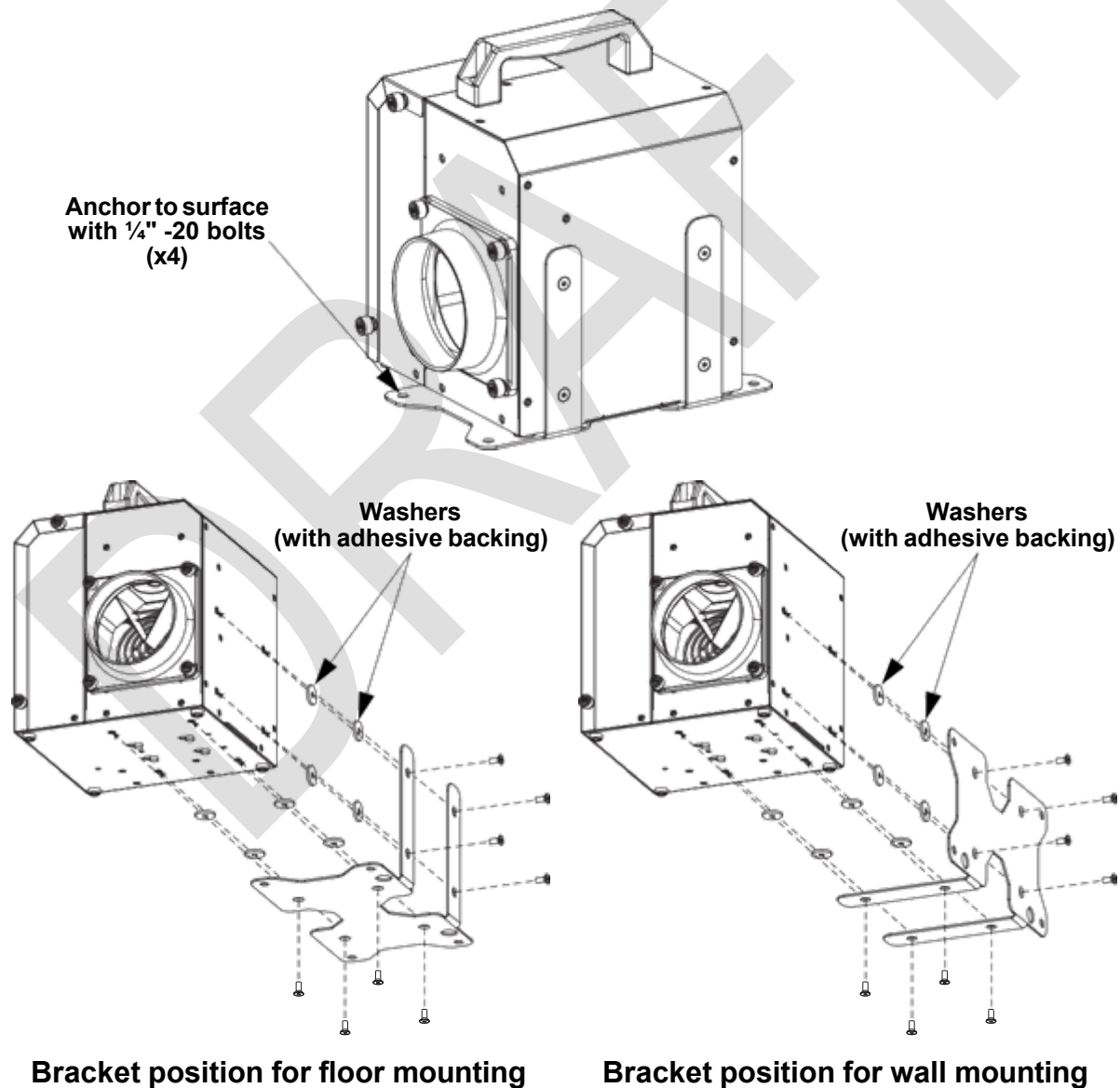
Procedure

The Clarify comes with a bracket which can be oriented to mount to a side wall of a structure, or be bolted down to a platform it is sitting on. Use 1/4" -20 bolts.

Adhesive Washers

Place the adhesive backing of the washers directly onto the product.

Mounting Diagram



4. Operation

Setup- Pump Priming

Turn on machine

The Clearify™ unit has a red power switch that should light up once powered up. Plug in the Clearify™ and flip the red switch ON. Let machine warm up, the green display will say “Ready” once unit has reached temperature.

Pump Priming

All units should be primed before deployment. Priming a unit is simply getting all the tubes and chambers full and ready to output the product. This can take several minutes and can generate a large cloud of product as old product cleans out (if any remains) and new product fills the system. The pump priming can be accomplished by using the program on the device or via the Out-Put Volume knob. The unit is primed once a consistent stream of vaporized product is being generated.

Priming the device will create a cloud of product.

Priming the device should only be done outdoors or in a well-ventilated location.



Priming the Pump using Volume and Fan knobs.

- Make sure you have Arresta™ fluid in the reservoir.
- Turn Fan knob > 50%
- Turn Volume knob to 35%
- Output may pause or sputter as fluid fills the line and the dispersion device
- When hose and machine are full of fluid you will see a steady output of product forming a cloud.
- Once flow is steady, turn the Volume Knob back to Off.
- When output flow has stopped being visible, turn the Fan knob back to Off.

The amount of time needed to prime the pump will change depending on the power and the lengths of hose being used.

The Clearify™ has been tested to work with fluid hoses extending as far as 50 ft (15.24 m) from the product. For a proper fit, the reservoir hose for the Arresta™ and cleaning solutions must have the following dimensions: 0.15 in (4 mm) outer diameter, 0.09 in (2.5 mm) inner diameter.

Operating the Device

The Arresta™ product can only be used in Grignard Pure Time-Controlled Release Systems™:

Clearify™ devices.

Always make sure the device is plugged in and there is a sufficient amount of Arresta™ fluid in the reservoir.

Filling the reservoir

When filling the reservoir on any Grignard Pure device, remove the reservoir from the device and unscrew the cap. Make sure you place the reservoir on a hard, flat surface to avoid spilling. Carefully pour Arresta™ from the container into the reservoir. Be sure to wipe up any spills immediately. Once you have filled the reservoir, screw the cap back on and make sure it is tight. Then screw the cap back on the container of Arresta™. Return the reservoir into the device.

- For Manual Operation: set it to disperse for 2 hours, engage it to operate, ensure it is dispersing, and then leave the space.
- For Pre-scheduled operation:
 - Make sure the external timer is attached to the device (the external timer comes with the Clearify™)
 - Set the external timer on the device to disperse for 2 hours, engage it to operate and then leave the space.
- Repeat as appropriate

Identify the air handling environment

{The air handling environment refers to whether the indoor space to be treated is (a.) within (smaller than) the total coverage area of one air handler or (b.) the entire air handler coverage area}

Note: An air handler is part of the HVAC system. It works alongside the heating and air conditioning system to distribute air evenly around the indoor space. Air handlers contain a blower to circulate air and a filter to remove debris and help the system work more efficiently.

Directions for treating an indoor space that is within (smaller than) the total coverage area of one air handler:

For the devices Aura™, Clearify™ or MPU™

- Turn off the HVAC. Set the fan (air handler) to “Auto.”
- Close or cover all doors, windows, air vents and returns to isolate the treated space from air circulation with other parts of the building.
- Place the appropriate device on a surface or the floor away from anything that could obstruct the dispersion of [this product] [Arresta™] into the space.
- Operate the device in accordance with instructions in Step 3 below.
- Ensure that the space remains unoccupied for the duration of the treatment
- You may re-enter the space 30 minutes after the device has stopped dispersing this product.
- Upon re-entry to the space, open doors, windows, air vents and returns and turn ventilation back on.
- If treating the indoor space to prevent mold and mildew odors from occurring, for best results, repeat use for three consecutive days, not exceeding 2-hour durations per day.
- Repeat as appropriate.

Directions for treating all indoor spaces that are in the coverage area of one HVAC air handler, to isolate the space to be treated from other parts of the building:

- For the device Clearify™ or MPU™ Turn air handler HVAC fans to “On.”
- Place the device on a surface or the floor away from anything that could obstruct the dispersion of this product into the space.

- Ensure that the space remains unoccupied for the duration of the treatment
- You may re-enter the space 30 minutes after the device has stopped dispersing the product
- If treating the indoor space to eliminate mold and mildew odors, use once, for a 2-hour treatment.
- If treating the indoor space to prevent mold and mildew odors from occurring, for best results repeat use for three consecutive days, not exceeding 2-hour durations per day.]

Step 1 – Prime the device (see previous section)

- Priming the system ensures that all tubes and components are full of fresh Arresta™ fluid. This allows for easy and consistent operation of the device. See directions in the previous section for priming your device.
- Never deploy the device without having first primed as it can affect the output.
- Priming a system can take several minutes and can generate a large cloud of product. All priming should be done in a well large well-ventilated space or outdoors.

Step 2 – Choose configuration (see table below)

- The Clarify™ can be programmed to operate on a defined dispersion cycle by programming in Seconds On and Seconds Off.
- The durations of the on/off cycle determine how much product is in the air.
- Use the table below to match your room size to program settings.

DEVICE	SQ FT	ROOM DIMENSIONS	CEILING HEIGHT	CU FT	DURATION	DEVICE SETTINGS (In seconds)
Clarify	800	20'x40'	10	8,000	2hr	10 on - 60 off at 3% volume
	2,500	50'x50'	10	25,000	2hr	10 on - 30 off at 3% volume
	5,000	71'x70'	10	50,000	2hr	20 on - 30 off at 5% volume
	10,000	100'x100'	10	100,000	2hr	40 on - 30 off at 5% volume

Step 3 – Program Configuration

- Plug in and turn on the Clarify™ unit via the red power switch on the rear of the device.
- The Unit will have to warm up before you can do anything further, this may take a few minutes.
- To program the dispersion settings, use the LED screen and buttons below it on the rear of the device.
- Once the screen reads “Ready”, press the MENU button 1 time to enter the **Interval Screen**.
- The screen should read Interval and displays a number.
 - The Interval is the time between scheduled dispersions, the Off value in the chart above.
 - Use Up and Down Arrow Buttons to set the desired Interval (Off) seconds per the chart above.
- Once the Interval is programmed, press the Menu Button again to move to the **Duration Screen**.
 - The Duration is the amount of time the device will dispense product. This is the “On” value in the chart above.
- Once the Duration is programmed Press Menu button once more to enter the **Output Mode Screen**.
 - The output Options are Volume (continuous output) or Timer (scheduled output).
 - Use the Up Arrow Button to choose “Timer”
 - Press the Enter Button to save your settings.

Step 4 – Operate Device

The schedule programmed according to the Instructions above will independently operate the device on the fixed Interval/Duration schedule as long as the device has power, is turned on and has a volume setting.

- Set the fan speed via the Fan Knob.
 - Fan Speed should be set between 50% and 100% during operation.
- Set the Volume Level.
 - Volume Settings are determined via the chart above.

- Turning the Volume Knob clockwise will increase the output volume.
- The screen will read "Volume On X%" once the Volume knob is moved off Zero.
- Once the Settings are all in place operate the device via the red On/Off Switch or by turning the Volume knob back to zero to stop dispersion.
- If the red Switch is used to stop dispersion, the pre-set program will run once powered and warmed up.
- Always operate the device on flat hard surface or in its wall mounted configuration.
- Point the Output flange toward the center of the room.
- Leave the room.

NOTE: Using an external commercial timer.

- Recommend using UL listed timers with 3 prong grounding outlet. Rating: 115V, 60 Hz, 15A/1725W
- The external timer will aid in the scheduling of the treatment. Setting the Clearify™ by the instructions Step 3 – Program Configuration – to the size room, an external timer will provide power and remove power from the Clearify™, the settings will be saved in memory.

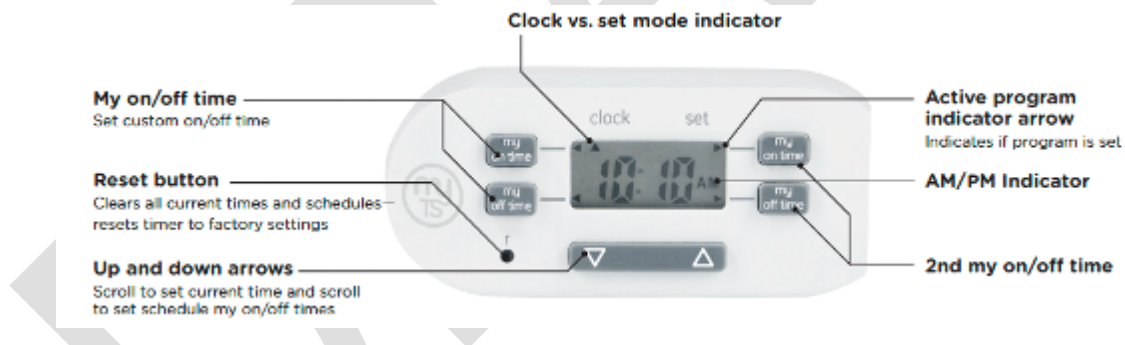
Instructions For Setting the Timer

Step 1 – Ensure that there is fluid in the tank and that the tank is properly attached

Step 2 – Take the timer device and plug it into the desired power source (i.e. wall socket)

Step 3 – Plug the Clearify or MPU power cord into the timer device that the device (either the

Clearify as a standalone or the MPU containing the Clearify) is plugged in. [For the Clearify, turn on device via the on/off button on the side of the unit]. [For the MPU, turn on the device via the power switch inside the front door]



Step 4 – Date / Time Setup

- Use Up and Down arrows to set the current time; take note of AM or PM.
- Use Note: When daylight savings time occurs, use the Up and Down arrows to adjust the time by 1 hour.

Step 5 – Operating Time Programming

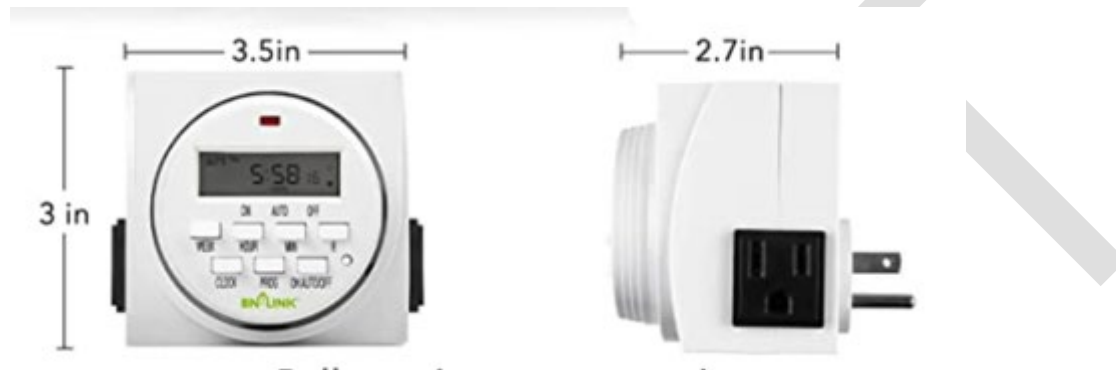
- Press "my on time," (the default time will be flashing) then use Up and Down arrows to set the On time. (If you set the "my on time" earlier than the current time, it will not turn on until the next day at the time scheduled.)
- Once you reach the desired "my on time", either wait 5 seconds, press "my on time" again or press "my off time" to begin setting the off time.
- Press "my off time,"(the default time will be flashing) then use up () and down () arrows to set off time.
- Once you reach the desired "my off time", either wait 5 seconds, press "my off time" again or press other "my on time" to begin setting the next on time.

- **Note: When a “my on” or “my off” time is set, the active program indicator arrow will appear on the screen beside the button (see Figure 1). Programs may run individually or simultaneously.**

Step 6 – Repeat Step 5 for any additional days you wish to program until your total treatment cycle is fully programmed.

Step 7 – Leave unit powered on to run your scheduled dispersion patterns.

Example of digital timer:



Cleaning the Device

Over time the unit may produce a buildup of un-dispersed product in the nozzle or pumps. To address this routine maintenance is recommended. The device should be run thru its cleaning cycle once monthly or at the close of any deployment.

The unit has a small on-board bottle of cleaner in the reservoir compartment. Only use Grignard Machine Cleaner in this procedure.

To run the devices cleaning cycle Press and Hold the Enter Button for 5 seconds.

Running the cleaning process can produce a large cloud of vaporized cleaner. The cleaning cycle should only be run in a large well-ventilated space or outdoors.

Replacing Arresta™ Fluid

The unit has an on-board bottle of Arresta™ (larger bottle) in the reservoir compartment. Only use Arresta™ fluid in this machine.

The bottle can be re-filled easily.

- Remove the Reservoir Compartment door.
- Take the refillable bottle out of the compartment. It is attached by a hose thru the cap providing limited range of movement.
- Place the bottle next to the unit and unscrew the cap.
- Refill the bottle with Arresta™ fluid.
- Replace the cap and hose assembly.
- Return bottle to the Reservoir compartment.
- Ensure that the filter is at the bottom of the bottle.
- Replace the Reservoir Compartment door.

The devices have a low fluid alarm system programmed in. This will warn you via an alarm when the fluid level has reached a re-fill point. The system does this by counting the number of milliliters of fluid that have passed thru. Every time a bottle is filled or topped off the counter needs to be reset for the alarm to work

properly.

To reset the counter:

- Turn the Volume and Fan knobs off.
- With the machine on “Ready”, hold the “Menu” button down for 5 seconds.

To check the reset

- Turn the Volume and Fan knobs off.
- Press the Menu Button 8 times to get to the Depleted Screen
- The Depleted Screen should read “0”.

Control Panel Description

Button/Knob	Function
<MENU>	Exits from the current menu or function or cycles through the menu list. Press and hold for 5 seconds: Fluid Reset
<UP>	Navigates upwards through the menu list or increases the numeric value when in a function
<DOWN>	Navigates downwards through the menu list or decreases the numeric value when in a function
<ENTER>	Enables the currently displayed menu or sets the currently selected value into the selected function Press and hold for 5 seconds: Self-Clean
Volume knob	Sets the dispersion volume (fluid consumption), 0–100%
Fan knob	Sets the blower fan speed, 0–100%

- To run the self-clean mode through the display menu, press and hold <ENTER> for 5 seconds.



The maximum duty cycle for which this product is designed to operate is 12–18 hours per day.



Never operate the machine without fluid.

Storage

Before storing the product, run the self-clean mode and empty the fluid reservoirs. Cleaning the system prior to storage will help prevent any particles from condensing inside the heating element while not in use.



Test-run your Clarify™ on a monthly basis to achieve the best performance.

Arresta™ Storage & Disposal: Do not contaminate water, food, or feed by storage or disposal.

Storage: Keep container tightly closed and properly labeled. **Shelf Life:** Product is stable in an unopened sealed container for 3 years. Once opened product is stable for one year if the cap is closed when the product is not in use. **Product Disposal:** Follow Federal, State, provincial and local Government requirements for waste. **Container Handling:** Non-refillable container. Do not reuse or refill this container. Offer for recycling if available, or place in trash collection.

Power Shutdown Mode (Standby)

Between uses, either set the power switch to the OFF position or unplug the unit.



- The product may remain in this mode for several days between uses.
- There is a short delay (3 seconds) before the power shutdown mode activates.
- This is a “latching” control. Once activated it must be deactivated.



Power consumption during the power shutdown mode is 9 W, 0.075 A.

4. Technical Specifications

Dimensions and Weight

Parameter	Length	Width	Height
With handle	7.98 in (202.7 mm)	10.15 in (257.8 mm)	8.16 in (207.3 mm)
Without handle	7.98 in (202.7 mm)	8.32 in (211.3 mm)	8.16 in (207.3 mm)
Weight (with Flange)	Weight (without Flange)	Weight (Optional Bracket)	
10.5 lb (4.76 kg)	10.4 lb (4.72 kg)	1.2 lb (0.6 kg)	

Note: Dimensions in inches are rounded.

Power

Power Supply Type	Range	Voltage Selection	Breaker
Fixed	120 VAC, 60 Hz	Fixed	10 A, 125 V
Consumption @ 120 V, 60 Hz	Operating Current @ 120 V, 60 Hz	Consumption @ 120 V, 60 Hz (Power Shutdown Mode)	Operating Current @ 120 V, 60 Hz (Power Shutdown Mode)
400 W	3.3 A	9 W	0.075 A
Power Input Connector	Power Cord plug		
Fixed	Edison (U.S.)		

Operation

Output Airflow	GP Fluid Tank Capacity	Cleaning Solution Tank Capacity
0-50 cfm	0.5 L (16.9 oz)	0.25 L (8.45 oz)
Heat-Up Time	Maximum Fluid Consumption	Minimum Fluid Consumption
1 min 30 sec	4 ml/min	0.25 ml/min

Fluid Run-Times

0.5 L @ 4 ml/min 9.85 hr	0.5 L @ 0.25 ml/min 157.67 hr	1.0 L @ 4 ml/min 19.71 hr
1.0 L @ 0.25 ml/min 315.33 hr	1.0 Gal @ 4 ml/min 78.85 hr	1.0 Gal @ 0.25 ml/min 1,261.67 hr

Note: Maximum fluid run-times based on 20% duty cycle.

Thermal

Ambient Temperature Range	Surface Temperature Range	Cooling System
39.2°F to 104°F (4°C to 40°C)	39.2°F to 122°F (4°C to 50°C)	Fan-assisted convection

DMX

I/O Connector	Channel Range
5-pin XLR	3

Ordering

Product Name	Item Name	Item Code	UPC Number
Clarify™	CLEARIFY™	99071839	781462221874



Complies with:
UL 499
US CSA C22.2 No. 64-10



5. Returns

Send the product prepaid, in the original box, and with the original packing and accessories. Grignard Pure will not issue call tags.

Call Grignard Pure® and request a Return Merchandise Authorization (RMA) number before shipping the product. Be prepared to provide the model number, serial number, and a brief description of the cause(s) for the return.

Clearly label the package with an RMA number. Grignard Pure will refuse any product returned without an RMA number.

Write the RMA number on a properly affixed label. DO NOT write the RMA number directly on the box.

Before sending the product, clearly write the following information on a piece of paper and place it inside the box:

- Your name
- Your address
- Your phone number
- RMA number
- A brief description of the problem

Be sure to pack the product properly. Any shipping damage resulting from inadequate packaging will be your responsibility. FedEx or UPS packing, or double boxing are recommended.

Return to:
Grignard Pure: Return
505 Capobianco Plaza
Rahway, NJ. 07065

6. Edition Notes

The Clearify™ User Manual includes a description, safety precautions, installation, programming, operation, and maintenance instructions for the Clearify™ as of the release date of this edition.

Trademarks

CLEARIFY™, the Clearify logo, and Clearify are registered trademarks or trademarks of Chauvet & Sons, LLC (d/b/a Chauvet and Chauvet Lighting) in the United States and other countries. Other company and product names and logos referred to herein may be trademarks of their respective companies.

Copyright Notice

The works of authorship contained in this manual, including, but not limited to, all design, text and images are owned by Grignard Pure LLC.

© **Copyright 2021 Grignard Pure LLC. All rights reserved.**

Electronically published by Grignard Pure in the United States of America.

Manual Use

Grignard Pure authorizes its customers to download and print this manual for

professional information purposes only. Grignard Pure expressly prohibits the usage, copy, storage, distribution, modification, or printing of this manual or its content for any other purpose without written consent from Grignard Pure.

Document Printing

For best results, print this document in color, on letter size paper (8.5 x 11 in), double-sided. If using A4 paper (210 x 297 mm), configure the printer to scale the content accordingly.

Intended Audience

Any person installing, operating, and/or maintaining this product should completely read through the guide that shipped with the product, as well as this manual, before installing, operating, or maintaining this product.

Disclaimer

Grignard Pure believes that the information contained in this manual is accurate in all respects. However, Grignard Pure assumes no responsibility and specifically disclaims any and all liability to any party for any loss, damage or disruption caused by any errors or omissions in this document, whether such errors or omissions result from negligence, accident or any other cause. Grignard Pure reserves the right to revise the content of this document without any obligation to notify any person or company of such revision; however, Grignard Pure has no obligation to make, and does not commit to make, any such revisions.

DRAFT



Arresta™ User Manual



The MPU™ is a dispersion unit certified by The Grignard Pure company to be used only with products sold by Grignard Pure, LLC, including Arresta™.

Table of Contents

1. BEFORE YOU BEGIN	4
WHAT IS INCLUDED.....	4
CLAIMS.....	4
SYMBOLS	4
SAFETY NOTES	4
<i>Personal Safety</i>	4
<i>Mounting and Rigging</i>	4
<i>Power and Wiring</i>	4
<i>Operation</i>	5
2. INTRODUCTION	6
DESCRIPTION	6
FEATURES	6
REQUIRED ACCESSORIES.....	6
3. PRODUCT OVERVIEW	7
MPU DIMENSIONS AND LAYOUT.....	7
CLEARIFY™ (DISPERSION DEVICE) DIMENSIONS AND LAYOUT	7
4. SETUP	9
AC POWER.....	9
<i>AC Plug</i>	9
TANK ACCESS.....	9
<i>MPU Remote Reservoir</i>	9
MOBILE PLACEMENT THE MPU.....	9
<i>Orientation</i>	9
5. OPERATION	10
SETUP- PUMP PRIMING	10
<i>Turn on machine</i>	10
<i>Pump Priming</i>	10
OPERATING THE DEVICE.....	11
<i>Step 1 – Prime the device (see previous section)</i>	12
<i>Step 2 – Choose configuration (see table below)</i>	12
<i>Step 3 – Program Configuration</i>	12
<i>Step 4 – Operate Device</i>	13
CLEANING THE DEVICE.....	14
REPLACING ARRESTA™ FLUID.....	14
CONTROL PANEL DESCRIPTION	14
CONFIGURATION (SETTINGS)	15
<i>Fluid Sensor</i>	15
<i>Fluid Counter</i>	15
<i>Adjust the Fluid Counter</i>	15
<i>Fluid Counter Reset</i>	15
<i>Low Fluid Alert</i>	15
<i>Reservoir Settings (Fluid Level Alert Values)</i>	15
<i>Low Fluid Warning Level</i>	16
6. MAINTENANCE	16
SELF-CLEAN MODE (INITIATED MANUALLY).....	16
STORAGE	16
POWER SHUTDOWN MODE	16

7. TECHNICAL SPECIFICATIONS 17

8. RETURNS 18

9. EDITION NOTES..... 19

TRADEMARKS.....19

COPYRIGHT NOTICE.....19

MANUAL USE19

DOCUMENT PRINTING19

INTENDED AUDIENCE.....19

DISCLAIMER.....19

DRAFT

1. Before You Begin

What Is Included




- MPU Case
- Clarify
- Integrated Fans
- Power Cord
- 1 Hose and Reservoir Cap Assembly (Grignard Pure Arresta™ fluid)
- 1 Hose and Reservoir Cap Assembly (Cleaning Solution)
- Clarify User Manual

Claims

If the box or the contents (the product and included accessories) appear damaged from shipping, or show signs of mishandling, notify the carrier immediately, not Grignard Pure. Failure to report damage to the carrier immediately may invalidate your claim. In addition, keep the box and contents for inspection.

For other issues, such as missing components or parts, damage not related to shipping, or concealed damage, file a claim with Grignard Pure within 7 days of delivery.

Symbols

Symbol	Meaning
	Critical installation, configuration, or operation information. Not following these instructions may make the product not work, cause damage to the product, or cause harm to the operator.
	Important installation or configuration information. The product may not function correctly if this information is not used.
	Useful information.

Safety Notes

Read all the following safety notes before working with this product. These notes contain important information about the installation, usage, and maintenance of this product.



All applicable local codes and regulations apply to proper installation of this product.

Personal Safety

- Always disconnect from power before servicing.
- Do not operate this product if the housing, fluid tank, reservoir hoses, or cables appear damaged.
- Do not use for space heating purposes.
- Do not touch the output nozzle on this product. It is very hot during operation, and it may remain hot for several hours after turning the product off.

Mounting and Rigging

- For indoor use only. DO NOT use this product outdoors or expose it to water (IP20).
- Do not leave any flammable material within 50 cm of this product while operating or connected to power.
- Always mount the product in an upright position.

Power and Wiring

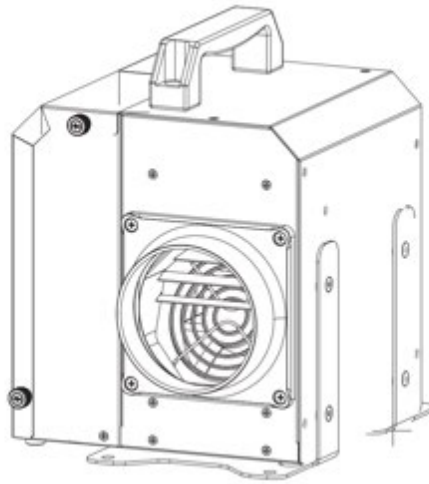
- Don't pull or roll the product by the power cord.
- Never disconnect this product from power by pulling on the cord.
- This product designed for use at 120 V, 60 Hz. Do not connect this product to a dimmer or rheostat.
- Only connect this product to a grounded and protected circuit.

Operation

- Only use Arresta™ Fluid.
- Do not add anything to the fluid.
- Be sure to run the manual cleaning cycle regularly with the approved cleaning solution.
- In the event of a serious operating problem, stop using immediately.
- To eliminate unnecessary wear and improve its lifespan, during periods of non-use set the power switch to the off position.
- CAUTION: When transferring product from extreme temperature environments, (e.g., cold truck to warm humid ballroom) condensation may form on the internal electronics of the product. To avoid causing a failure, allow product to fully acclimate to the surrounding environment before connecting it to power.



If your MPU requires service, contact Grignard Pure Technical Support.



2. Introduction

Description

The MPU™ is a dispersion unit certified by The Grignard Pure company to be used only with products sold by Grignard Pure, LLC, including Arresta™, a product registered by the EPA for use in preventing or eliminating mold and mildew odors in the air.

The MPU™ is a self-contained delivery system designed to effectively treat medium sized rooms, such as conference and meeting rooms, offices, office lobbies, corporate medical offices rooms, classrooms, hotel rooms, breakrooms, and locker rooms.

Based on the size and ceiling height of the space, multiple MPUs™ may be deployed to ensure the proper concentration levels of Arresta™.

Features

- Variable output dispersion machine for portable and install applications for use with Arresta™ fluid
- Variable output volume and fan control allow the machine to work with a wide range of room sizes
- Low ARRESTA™ fluid alert (triggered when 80% of fluid is depleted based on calculated fluid usage) alerts the user to replace the ARRESTA™ fluid
- Cleaning function for operational maintenance and a long life of the heating element
- Dual pump design (separate ARRESTA™ fluid and cleaning fluid pumps) enhances performance and reduces maintenance
- Timer function allows interval output of the machine
- Fluid tanks refillable or swappable for flexible fluid replacement (swappable tanks avoid spillage)
- Manual output volume and fan speed control knobs included for easy prime and test procedures.
- Integrated output fan for added dispersion, adds 220 cfm to the onboard dispersion machine
- Ability to connect to remote reservoir for larger capacity and more convenient refilling

Required Accessories

- Arresta™ Fluid
- Grignard Cleaning Solution
- Clarify™ dispersion Unit (integrated into the MPU™)



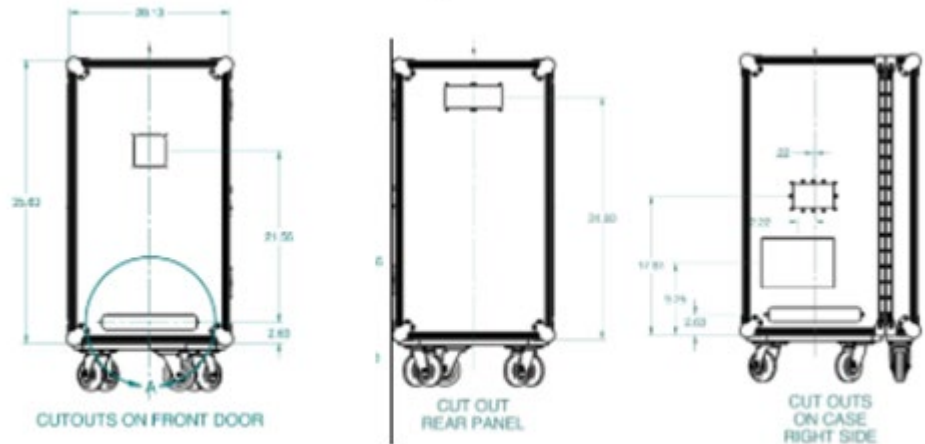
CLEARIFY™ Specific Product Information

The MPU™ dispersion device is powered by the Grignard Pure LLC Clarify™.

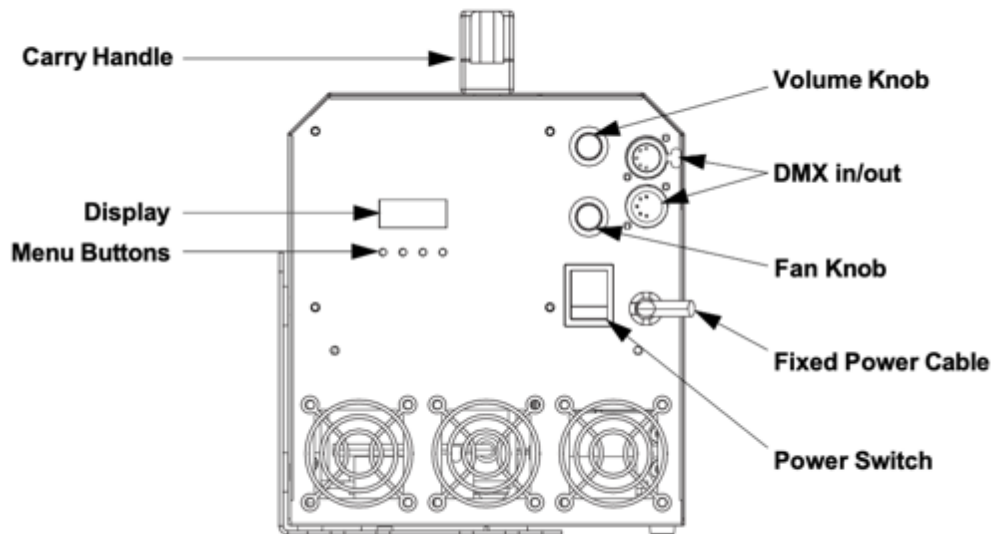
3. Product Overview

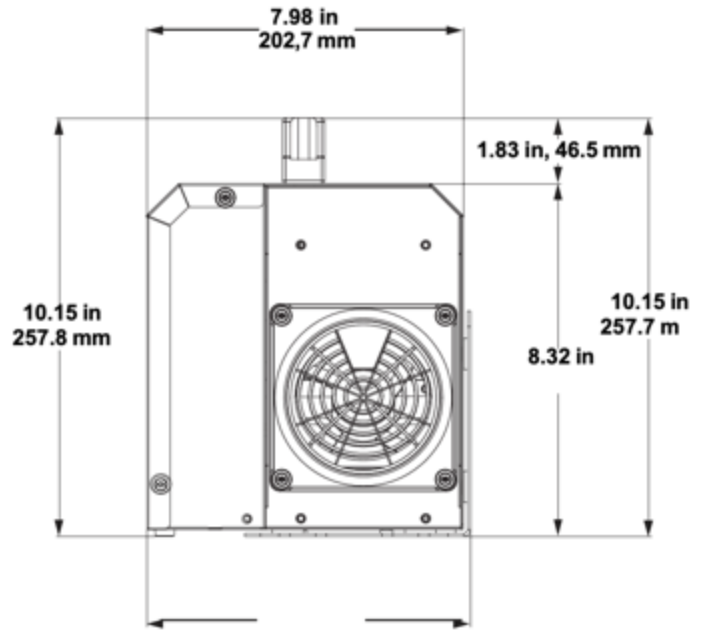
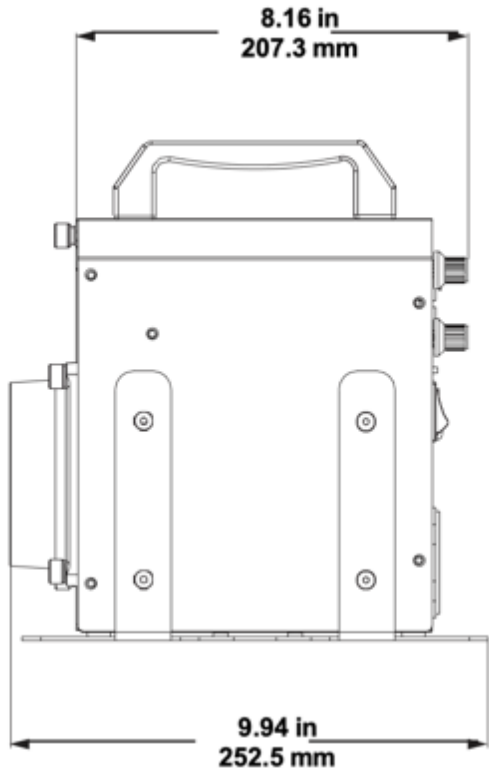
MPU Dimensions and Layout

**Clarify™
(Dispersion
Device)**



Dimensions and Layout





DRAFT

4. Setup

AC Power

The MPU has a fixed-voltage power supply that works with an input voltage of 120 VAC, 60 Hz. To determine the product's power requirements (circuit breaker, power outlet, and wiring), use the current value listed on the label affixed to the product's back panel, or refer to the product's specifications chart. The listed current rating indicates the product's average current draw under normal conditions.



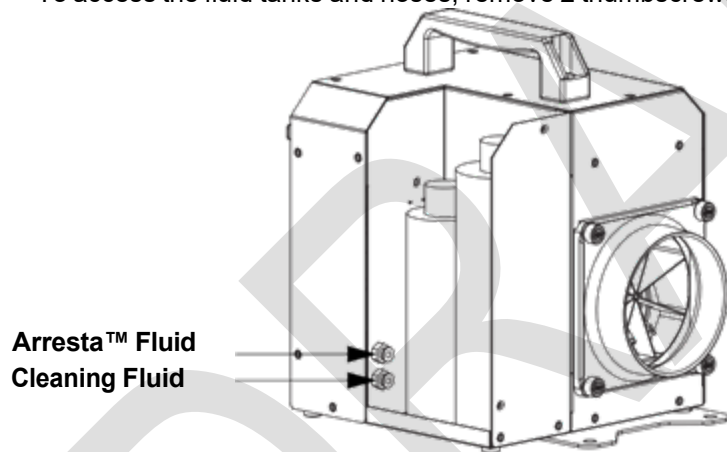
- **Always connect the product to a protected circuit (a circuit breaker or fuse). Make sure the product has an appropriate electrical ground to avoid the risk of electrocution or fire.**
- **To eliminate unnecessary wear and improve its lifespan, during periods of non-use, set the power switch to the off position.**
- **Never connect the product to a rheostat (variable resistor) or dimmer circuit, even if the rheostat or dimmer channel serves only as a 0 to 100% switch.**

AC Plug

The MPU comes with an AC socket 120 VAC, 60 Hz, use 16 AWG cord or greater.

Tank Access

To access the fluid tanks and hoses, remove 2 thumbscrews and slide the cover off.



MPU Remote Reservoir

The MPU uses a remote reservoir configuration for Arresta™, located in the storage compartment below the dispersion unit. This allows for the use of full one-gallon bottles of Arresta™ to be connected to the device rather than the smaller 700 ML onboard bottle. The connection is still via the valves pictured above. The cleaning fluid reservoir is in the tank well pictured above (the smaller bottle in the image is the cleaning fluid). When the cleaning solution is used up the bottle is fully replaceable by using the existing tube, cap, and filter in a new bottle of cleaner.

Mobile placement the MPU

The MPU is mobile, it's 5 wheels allow for easy mobility. The location of the MPU for a treated room is often a 'trial and error' method – as the ventilation, ingress, egress points are variable across room types and sizes. The wheels allow for easy movement and optimized placement.

Orientation

Always mount this product in an upright position, on its casters on a level stable surface. Making sure there is adequate room for ventilation, configuration, and maintenance.

5. Operation

Setup- Pump Priming

Turn on machine

The Clearify unit has a red power switch that should light up once powered up. Plug in the Clearify and flip the red switch ON. Let machine warm up, the green display will say Ready once unit has reached temperature.

The MPU has a power receptacle external to the device with a marine grade rubber gasket and cover. Connect the MPU to a grounded power source via this receptacle to power the whole unit.

The Clearify unit has a red power switch that should light up once powered up. The Clearify can be powered on/off independent of the MPU, integrated on/off switch, but the MPU must have power and have its switch turned on, for the Clearify to have power. Plug in the MPU and flip the MPU switch and the Clearify red power switch ON. Let the Clearify™ warm up, the green display will say Ready once unit has reached temperature.

Pump Priming

All units should be primed before deployment. Priming a unit is simply getting all the tubes and chambers full and ready to output the product. This can take several minutes and can generate a large cloud of product as old product cleans out (if any remains) and new product fills the system. The pump priming can be accomplished by using the program on the device or via the Out-Put Volume knob. The unit is primed once a consistent stream of vaporized product is being generated.

Be aware that if the hose is empty (swapping out a fresh gallon bottle) there will be a brief period of output as the device purges residual fluid, followed by a period of no output while the hoses fill back up before you will see the consistent output associated with the fully primed device.

Priming the device will create a cloud of product.

Priming the device should only be done outdoors or in a well-ventilated location.



Priming the Pump using Volume and Fan knobs.

- Make sure you have Arresta™ fluid in the reservoir.
- Turn Fan knob > 50%
- Turn Volume knob up to 35%
- Output may pause or sputter as fluid fills the line and the dispersion device
- When hose and machine are full of fluid you will see a steady output of product forming a cloud.
- Once flow is steady, turn the Volume Knob back to Off.
- When output flow has stopped being visible, turn the Fan knob back to Off.

The amount of time needed to prime the pump will change depending on the volume setting (the higher the volume setting the faster the pump will operate) and whether there is already fluid in the hose.

For a proper fit, the reservoir hose for the ARRESTA™ and cleaning solutions must have the following dimensions: 0.15 in (4 mm) outer diameter, 0.09 in (2.5 mm) inner diameter.

Operating the Device

The Arresta™ product can only be used in Grignard Pure Time-Controlled Release Systems™: dispersion devices.

Always make sure the device is plugged in and there is a sufficient amount of Arresta™ fluid in the reservoir.

Filling the reservoir

When filling the reservoir on any Grignard Pure device, remove the reservoir from the device and unscrew the cap. Make sure you place the reservoir on a hard, flat surface to avoid spilling. Carefully pour Arresta™ from the container into the reservoir. Be sure to wipe up any spills immediately. Once you have filled the reservoir, screw the cap back on and make sure it is tight. Then screw the cap back on the container of Arresta™. Return the reservoir into the device.

- For Manual Operation: set it to disperse for 2 hours, engage it to operate, ensure it is dispersing, and then leave the space.
- For Pre-scheduled operation:
 - Make sure the external timer is attached to the device (the external timer comes with the Clearify™)
 - Set the external timer on the device to disperse for 2 hours, engage it to operate and then leave the space.
- Repeat as appropriate

Identify the air handling environment

The air handling environment refers to whether the indoor space to be treated is (a.) within (smaller than) the total coverage area of one air handler or (b.) the entire air handler coverage area

Note: An air handler is part of the HVAC system. It works alongside the heating and air conditioning system to distribute air evenly around the indoor space. Air handlers contain a blower to circulate air and a filter to remove debris and help the system work more efficiently.

Directions for treating an indoor space that is within (smaller than) the total coverage area of one air handler:

For the devices Aura™, Clearify™ or MPU™

- Turn off the HVAC. Set the fan (air handler) to “Auto.”

- Close or cover all doors, windows, air vents and returns to isolate the treated space from air circulation with other parts of the building.
- Place the appropriate device on a surface or the floor away from anything that could obstruct the dispersion of [this product] [Arresta™] into the space.
- Operate the device in accordance with instructions in Step 3 below.
- Ensure that the space remains unoccupied for the duration of the treatment
- You may re-enter the space 30 minutes after the device has stopped dispersing this product.
- Upon re-entry to the space, open doors, windows, air vents and returns and turn ventilation back on.
- If treating the indoor space to prevent mold and mildew odors from occurring, for best results, repeat use for three consecutive days, not exceeding 2-hour durations per day.
- Repeat as appropriate.

Directions for treating all indoor spaces that are in the coverage area of one HVAC air handler, to isolate the space to be treated from other parts of the building:

- For the device Clarify™ or MPU™ Turn air handler HVAC fans to “On.”
- Place the device on a surface or the floor away from anything that could obstruct the dispersion of this product into the space.
- Ensure that the space remains unoccupied for the duration of the treatment
- You may re-enter the space 30 minutes after the device has stopped dispersing the product
- If treating the indoor space to eliminate mold and mildew odors, use once, for a 2-hour treatment.
- If treating the indoor space to prevent mold and mildew odors from occurring, for best results repeat use for three consecutive days, not exceeding 2-hour durations per day.

Step 1 – Prime the device (see previous section)

- Priming the system ensures that all tubes and components are full of fresh Arresta™ fluid. This allows for easy and consistent operation of the device. See directions in the previous section for priming your device.
- Never deploy the device without having first primed as it can affect the output.
- Priming a system can take several minutes and can generate a large cloud of product. All priming should be done in a well large well-ventilated space or outdoors.

Step 2 – Choose configuration (see table below)

- The Clarify can be programmed to operate on a defined dispersion cycle by programming in Seconds On and Seconds Off.
- The durations of the on/off cycle determine how much product is in the air.
- Use the table below to match your room size to program settings.

DEVICE	SQ FT	ROOM DIMENSIONS	CEILING HEIGHT	CU FT	DURATION	DEVICE SETTINGS (In seconds)
MPU	5,000	71'x70'	20	100,000	2hr	60 on – 30 off at 7% volume
	10,000	100'x100'	20	200,000	2hr	120 on – 10 off at 10% volume
	20,000	100'x200'	20	400,000	2hr	210 on – 10 off at 10% volume

Step 3 – Program Configuration

- Plug in and turn on the Clarify Unit via the red power switch on the rear of the device.
- The Unit will have to warm up before you can do anything further, this may take a few minutes.
- To program the dispersion settings, use the LED screen and buttons below it on the rear of the device.
- Once the screen reads “Ready”, press the MENU button 1 time to enter the **Interval Screen**.

- The screen should read Interval and displays a number.
 - The Interval is the time between scheduled dispersions, the Off value in the chart above.
 - Use Up and Down Arrow Buttons to set the desired Interval (Off) seconds per the chart above.
- Once the Interval is programmed, press the Menu Button again to move to the **Duration Screen**.
 - The Duration is the amount of time the device will dispense product. This is the “On” value in the chart above.
- Once the Duration is programmed Press Menu button once more to enter the **Output Mode Screen**.
 - The output Options are Volume (continuous output) or Timer (scheduled output).
 - Use the Up Arrow Button to choose “Timer”
 - Press the Enter Button to save your settings.

Step 4 – Operate Device

The schedule programmed according to the Instructions above will independently operate the device on the fixed Interval/Duration schedule as long as the device has power, is turned on and has a volume setting.

- Set the fan speed via the Fan Knob.
 - Fan Speed should be set between 50% and 100% during operation.
- Set the Volume Level.
 - Volume Settings are determined via the chart above.
 - Turning the Volume Knob clockwise will increase the output volume.
 - The screen will read “Volume On X%” once the Volume knob is moved off Zero.
- Once the Settings are all in place operate the device via the red On/Off Switch or by turning the Volume knob back to zero to stop dispersion.
- If the red Switch is used to stop dispersion, the pre-set program will run once powered and warmed up
- Always operate the device on flat hard surface or in its wall mounted configuration.
- Point the Output flange toward the center of the room.

NOTE: Using an external commercial timer.

- **Recommend using UL listed timers with 3 prong grounding outlet. Rating: 115V, 60 Hz, 15A/1725W**
- **The external timer will aid in the scheduling of the treatment. Setting the Clearify™ by the instructions Step 3 – Program Configuration – to the size room, an external timer will provide power and remove power from the Clearify™, the settings will be saved in memory.**

Example of digital timer:



Cleaning the Device

Over time the unit may produce a build up of un-dispersed product in the nozzle or pumps. To address this routine maintenance is recommended. The device should be run thru its cleaning cycle once monthly or at the close of any deployment.

The unit has a small on-board bottle of cleaner in the reservoir compartment. Only use Grignard Machine Cleaner in this procedure.

To run the devices cleaning cycle Press and Hold the Enter Button for 5 seconds.

Running the cleaning process can produce a large cloud of vaporized cleaner. The cleaning cycle should only be run in a large well-ventilated space or outdoors.

Replacing Arresta™ Fluid

The MPU uses a remote 1-gallon reservoir connected to the internal dispersion unit by a tube with a quick connect connector. Disconnect the quick connect before unscrewing the top. Only use Arresta™ in this machine.

The bottle can be changed easily.

- Open the MPU access door.
- Disconnect the quick connect connector on the top of the 1 Gallon reservoir.
- Unscrew the cap.
- Replace with new 1-gallon Arresta™ fluid.
- Replace the cap and reconnect the quick connector.
- Ensure that the filter is at the bottom of the bottle.
- Close the MPU access door.

The devices have a low fluid alarm system programmed in. This will warn you via an alarm when the fluid level has reached a re-fill point. The system does this by counting the number of Milliliters of fluid that have passed thru. Every time a bottle is filled or topped off the counter needs to be reset for the Alarm to work properly.

To reset the counter:

- Turn the Volume and Fan knobs off.
- With the machine on a Ready, hold the “Menu” button down for 5 seconds.

To check the reset

- Turn the Volume and Fan knobs off.
- Press the Menu Button 8 times to get to the Depleted Screen
- The Depleted Screen should read “0”.

Control Panel Description

Button/Knob	Function
<MENU>	Exits from the current menu or function or cycles through the menu list. Press and hold for 5 seconds: Fluid Reset
<UP>	Navigates upwards through the menu list or increases the numeric value when in a function
<DOWN>	Navigates downwards through the menu list or decreases the numeric value when in a function
<ENTER>	Enables the currently displayed menu or sets the currently selected value into the selected function Press and hold for 5 seconds: Self-Clean
Volume knob	Sets the dispersion volume (fluid consumption), 0–100% Knob should be set in the Off position. Control via dial is only used for priming and test purposes. Operational Volume Control is regulated via the web portal.

Fan knob	Sets the blower fan speed, 0–100% Knob should be set in the Off position. Control via dial is only used for priming and test purposes. Operational Fan Control is regulated via the web portal.
-----------------	--

Configuration (Settings)

Fluid Sensor

The fluid sensor prevents damage by detecting if there is fluid in the hose line. To enable or disable the fluid sensor:

1. Go to the **Fluid Sensor** level.
2. Select from **On** (pump will stop after too long with no fluid) or **Off** (pump will not stop).

Fluid Counter

To view the amount of ARRESTA™ fluid dispersed since the last reset, go to the **Depleted** level. Each time the fluid reservoirs are refilled or replaced, perform a Fluid Counter Reset.



To adjust the maximum level of the fluid counter for larger or smaller reservoirs, see [Empty Fluid Warning Level \(Reservoir Sizes\)](#).

The MPU uses the remote reservoir option to access full gallons of Arresta™ located in the storage compartment. If this is your configuration and you are swapping out a Clarify unit you will need to adjust the Fluid Counter levels as the Clarify ships configured for the smaller on-board bottles.

Adjust the Fluid Counter

The adjustment settings for the Fluid Counter are located in the Advanced Options Menu.

To access the advanced settings:

1. Set the power switch to the off position.
2. Press and hold **<MENU>** while setting the power switch to the on position.
3. Hold **<MENU>** for 3 seconds, until **MFG Set** appears on the display.
4. Enter the passcode **7896**:
 - Use **<UP>** and **<DOWN>** to increase or decrease the selected digit.
 - Use **<ENTER>** to go to the next digit, and to enter the code when finished.
5. Once in the Advanced Menu, press the Menu Button 4 times to reach the ARRESTA™ Level Set Options.
 - E Fluid – Sets the Low Fluid shut off function and should be set to 3700
 - L-Fluid – Sets the warning alarm and should be set to 3500

To view the amount of ARRESTA™ fluid dispersed since the last reset, go to the **Depleted** level. Each time the fluid reservoirs are refilled or replaced, perform a Fluid Counter Reset.

Fluid Counter Reset

Always perform a fluid counter reset after refilling or replacing the fluid reservoirs.

To reset the fluid counter, press and hold **<MENU>** for 5 seconds.

Low Fluid Alert

The **LowFluid Alert** option in the advanced settings allows the low fluid alert to be enabled or disabled.

1. Access the [Advanced Settings](#) menu.
2. Go to the **LowFluid Alert** level.
3. Select from **ON** or **OFF**.

Reservoir Settings (Fluid Level Alert Values)

1. Clarify™ shipped with an MPU is set for a 1 Gallon reservoir.
2. If a standalone Clarify™ is used to replace an existing MPU Clarify™, the reservoir settings must be reset to 1 Gallon from 500ml.

Low Fluid Warning Level

The **L-Fluid** options define the level of the [Fluid Counter](#) which trigger a low fluid warning.

1. Access the [Advanced Settings](#) menu.
2. Go to the **GP-LevelSet** (GP fluid reservoir) level or the **CLEAN-LevelSet** (cleaning solution reservoir) level.
3. Go to the **L-Fluid** level.
4. Increase or decrease the low fluid point from **0–5000 ml** in increments of 10 ml.



Set this number far enough below the E-Fluid level (80% is recommended) to give enough time to refill the reservoirs before they are empty.

6. Maintenance

Self-Clean Mode (initiated manually)

Do not allow the dispersion mechanism to become clogged. Clean the Clearify™ regularly to maintain optimal performance. Run the cleaning process between users per the Site Removal process or every two weeks of daily use. Always perform cleaning in a large, open area or outdoors.

The self-clean mode, initiated manually, runs cleaning solution through the heating element for 1 minute. This can be performed manually. When Self-Clean mode is initiated, a “Temperature Adjust” screen will display as the Clearify™ cools down to 180 °C for about 5 minutes. Once cleaning begins, the Clearify™ will clear all remaining Arresta™ fluid from inside the device. This will produce a significant level of air treatment and should be done in a large, open area or outdoors. The Clearify or MPU should be removed from the treatment area before cleaning. When cleaning is finished, the Clearify™ will heat back up to 241 °C and display a “Ready” message.

- To run the self-clean mode through the display menu, press and hold **<ENTER>** for 5 seconds.



The maximum duty cycle for which this product is designed to operate is 12–18 hours per day.



Never operate the machine without fluid.

Storage

Before storing the product longer than 1 week, run the self-clean mode and empty the fluid reservoirs. Cleaning the system prior to storage will help prevent any particles from condensing inside the heating element while not in use.



Test-run your Clearify™ on a monthly basis to achieve the best performance.

Arresta™ Storage & Disposal: Do not contaminate water, food, or feed by storage or disposal. Storage: Keep container tightly closed and properly labeled. Shelf Life: Product is stable in an unopened sealed container for 3 years. Once opened product is stable for one year if the cap is closed when the product is not in use. Product Disposal: Follow Federal, State, provincial and local Government requirements for waste. Container Handling: Non-refillable container. Do not reuse or refill this container. Offer for recycling if available, or place in trash collection.

Power Shutdown Mode

Between uses set the power switch to the OFF position. Device should not be used more than 14 hours in one day.

7. Technical Specifications

Dimensions and Weight

Weight	Length	Width	Height
60lbs	22.6 in	20.1 in	40.5 in

Note: Dimensions in inches are rounded.

Power

Power Supply Type	Range	Voltage Selection	Breaker
Fixed	120 VAC, 60 Hz	Fixed	10 A, 125 V
Consumption @ 120 V, 60 Hz	Operating Current @ 120 V, 60 Hz	Consumption @ 120 V, 60 Hz (Power Shutdown Mode)	Operating Current @ 120 V, 60 Hz (Power Shutdown Mode)
600 W	5.0 A	9 W	0.075 A
Power Input Connector	Power Cord plug		
Type x connector	Edison (U.S.)		

Operation

Output Airflow	ARRESTA™ Fluid Tank Capacity	Cleaning Solution Tank Capacity
0-200 cfm	1 Gallon	0.25 L (8.45 oz)
Heat-Up Time	Maximum Fluid Consumption	Minimum Fluid Consumption
1 min 30 sec	4 ml/min	0.25 ml/min

Fluid Run-Times

1 GAL @ 4 ml/min 28 hr	1 GAL @ 0.25 ml/min 460 hr
----------------------------------	--------------------------------------

Note: Maximum fluid run-times based on 20% duty cycle.

Thermal

Ambient Temperature Range	Surface Temperature Range	Cooling System
39.2°F to 104°F (4°C to 40°C)	39.2°F to 122°F (4°C to 50°C)	Fan-assisted convection

DMX

I/O Connector	Channel Range
5-pin XLR	3



Complies with:
UL 499
US CSA C22.2 No. 64-10



8. Returns

Send the product prepaid, in the original box, and with the original packing and accessories. Grignard Pure will not issue call tags.

Call Grignard Pure® and request a Return Merchandise Authorization (RMA) number before shipping the product. Be prepared to provide the model number, serial number, and a brief description of the cause(s) for the return.

Clearly label the package with an RMA number. Grignard Pure will refuse any product returned without an RMA number.

Write the RMA number on a properly affixed label. DO NOT write the RMA number directly on the box.

Before sending the product, clearly write the following information on a piece of paper and place it inside the box:

- Your name
- Your address
- Your phone number
- RMA number
- A brief description of the problem

Be sure to pack the product properly. Any shipping damage resulting from inadequate packaging will be your responsibility. FedEx or UPS packing, or double boxing are recommended.

Return to:
Grignard Pure: Return
505 Capobianco Plaza
Rahway, NJ. 07065

9. Edition Notes

The Mobile Protection Unit User Manual includes a description, safety precautions, installation, programming, operation, and maintenance instructions for the Clearify as of the release date of this edition.

Trademarks

CLEARIFY, the Clearify logo, and Clearify are registered trademarks or trademarks of Chauvet & Sons, LLC (d/b/a Chauvet and Chauvet Lighting) in the United States and other countries. Other company and product names and logos referred to herein may be trademarks of their respective companies.

Copyright Notice

The works of authorship contained in this manual, including, but not limited to, all design, text and images are owned by Grignard Pure LLC.

© Copyright 2021 Grignard Pure LLC. All rights reserved.

Electronically published by Grignard Pure in the United States of America.

Manual Use

Grignard Pure authorizes its customers to download and print this manual for professional information purposes only. Grignard Pure expressly prohibits the usage, copy, storage, distribution, modification, or printing of this manual or its content for any other purpose without written consent from Grignard Pure.

Document Printing

For best results, print this document in color, on letter size paper (8.5 x 11 in), double-sided. If using A4 paper (210 x 297 mm), configure the printer to scale the content accordingly.

Intended Audience

Any person installing, operating, and/or maintaining this product should completely read through the guide that shipped with the product, as well as this manual, before installing, operating, or maintaining this product.

Disclaimer

Grignard Pure believes that the information contained in this manual is accurate in all respects. However, Grignard Pure assumes no responsibility and specifically disclaims any and all liability to any party for any loss, damage or disruption caused by any errors or omissions in this document, whether such errors or omissions result from negligence, accident or any other cause. Grignard Pure reserves the right to revise the content of this document without any obligation to notify any person or company of such revision; however, Grignard Pure has no obligation to make, and does not commit to make, any such revisions.