



UNITED STATES ENVIRONMENTAL PROTECTION AGENCY
WASHINGTON, DC 20460

OFFICE OF CHEMICAL SAFETY
AND POLLUTION PREVENTION

June 1, 2017

Ms. Norma Pangilinan
Head of Regulatory Affairs NA
SBM Life Science Corp.
1001 Winstead Dr., Suite 500
Cary, NC 27513

Subject: Notification per PRN 98-10 – Updating company name, registration number, and websites, and adding alternate brand names
Product Name: Lawn Herbicide 2Q Concentrate Ready-to-Spray
EPA Registration Number: 92564-42
Application Date: April 12, 2017
Decision Number: 528637

Dear Ms. Pangilinan:

The Agency is in receipt of your Application for Pesticide Notification under Pesticide Registration Notice (PRN) 98-10 for the above referenced product. The Registration Division (RD) has conducted a review of this request for its applicability under PRN 98-10 and finds that the action requested falls within the scope of PRN 98-10.

The label submitted with the application has been stamped “Notification” and will be placed in our records. The following alternate brand names have been added to the product record:

Bianova Advanced All-in-One Lawn Weed & Crabgrass Killer1 Concentrate
BioAdvanced All-in-One Lawn Weed & Crabgrass Killer1 Concentrate
BioAdvanced Science-Based Solutions All-in-One Lawn Weed & Crabgrass Killer1 Concentrate
Fortifend Advanced All-in-One Lawn Weed & Crabgrass Killer1 Concentrate
Bianova Advanced All-in-One Lawn Weed & Crabgrass Killer1 Ready-to-Spray
BioAdvanced All-in-One Lawn Weed & Crabgrass Killer1 Ready-to-Spray
BioAdvanced Science-Based Solutions All-in-One Lawn Weed & Crabgrass Killer1 Ready-to-Spray
Fortifend Advanced All-in-One Lawn Weed & Crabgrass Killer1 Ready-to-Spray

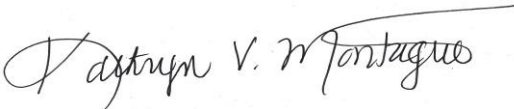
Should you wish to add/retain a reference to the company’s website on your label, then please be aware that the website becomes labeling under the Federal Insecticide Fungicide and Rodenticide Act and is subject to review by the Agency. If the website is false or misleading, the product would be misbranded and unlawful to sell or distribute under FIFRA section 12(a)(1)(E). 40 CFR 156.10(a)(5) list examples of statements EPA may consider false or misleading. In addition, regardless of whether a website is referenced on your product’s label, claims made on the website may not substantially differ from those claims approved through the registration process. Therefore, should the Agency find or if it is brought to our attention that a website contains false

Page 2 of 2
EPA Reg. No. 92564-42
Decision No. 528637

or misleading statements or claims substantially differing from the EPA approved registration, the website will be referred to the EPA's Office of Enforcement and Compliance.

If you have any questions, you may contact Kathryn Montague at 703-305-1243 or via email at montague.kathryn@epa.gov .

Sincerely,

A handwritten signature in black ink that reads "Kathryn V. Montague". The signature is written in a cursive style with a long horizontal line extending from the end of the name.

Kathryn Montague, Product Manager 23
Herbicide Branch
Registration Division (7505P)
Office of Pesticide Programs

NOTIFICATION

92564-42

The applicant has certified that no changes, other than those reported to the Agency have been made to the labeling. The Agency acknowledges this notification by letter dated:

06/01/2017

Bayer Advanced Lawn Herbicide 2Q Concentrate/Ready-to-Spray

This label contains two separate label statements for, Pump Sprayer/Hose-end Sprayer Concentrate product use and Pre-packed Hose-end Ready-to-Spray product use.

**ABN: Bayer Advanced All-in-One Lawn Weed & Crabgrass Killer1 Concentrate;
Bayer Advanced All-in-One Lawn Weed & Crabgrass Killer1 Ready-to-Spray;**

Bianova Advanced All-in-One Lawn Weed & Crabgrass Killer1 Concentrate;

BioAdvanced All-in-One Lawn Weed & Crabgrass Killer1 Concentrate;

BioAdvanced Science-Based Solutions All-in-One Lawn Weed & Crabgrass

Killer1 Concentrate; Fortifend Advanced All-in-One Lawn Weed & Crabgrass

Killer1 Concentrate; Bianova Advanced All-in-One Lawn Weed & Crabgrass

Killer1 Ready-to-Spray; BioAdvanced All-in-One Lawn Weed & Crabgrass Killer1

Ready-to-Spray; BioAdvanced Science-Based Solutions All-in-One Lawn Weed &

Crabgrass Killer1 Ready-to-Spray; Fortifend Advanced All-in-One Lawn Weed &

Crabgrass Killer1 Ready-to-Spray

Active Ingredients:

2,4-D, dimethylamine salt..... 4.85%

Quinclorac..... 1.61%

Dicamba, dimethylamine salt..... 0.45%

Other Ingredients..... **93.09%**

Total..... **100.000%**

EPA Reg. No. **72455-86-92564-42**

EPA Est. No.

KEEP OUT OF REACH OF CHILDREN

CAUTION

See back panel for additional precautionary statements.

Editorial Note – [Bracketed text] is optional language

Formatted: Left

Formatted: Font: 14 pt

Formatted: Font: 14 pt, Highlight

Formatted: Font: 14 pt, Highlight

Formatted: Font: 14 pt, Highlight

Formatted: Font: 14 pt, Highlight

Formatted: Font: 14 pt

Formatted: Highlight

(Pump Sprayer/Hose-end Sprayer Concentrate Label)

(FRONT PANEL)

Bayer Advanced Lawn Herbicide 2Q Concentrate

(ABN) Bianova Advanced All-in-One Lawn Weed & Crabgrass Killer1 Concentrate; BioAdvanced All-in-One Lawn Weed & Crabgrass Killer1 Concentrate; BioAdvanced Science-Based Solutions All-in-One Lawn Weed & Crabgrass Killer1 Concentrate; Fortifend Advanced All-in-One Lawn Weed & Crabgrass Killer1 Concentrate

Formatted: Font: 14 pt

Formatted: Font: 14 pt

Formatted: Font: 14 pt

Formatted: Font: 14 pt

▪ *Editorial Note – Marketing Claims Positioned Here*

Active Ingredients:

2,4-D, dimethylamine salt.....	4.85%
Quinclorac.....	1.61%
Dicamba, dimethylamine salt.....	0.45%
Other Ingredients	93.09%
Total	100.000%

EPA Reg. No. **72155-86-92564-42**

EPA Est. No.

Formatted: Highlight

THIS PRODUCT CONTAINS:

- 0.343 lb. 2,4-dichlorophenoxyacetic acid equivalent per gallon or 4.03%
- 0.137 lb. 3,7-dichloro-8-quinolinecarboxylic acid per gallon or 1.61%
- 0.031 lb. 3,6-dichloro-o-anisic acid equivalent per gallon or 0.37%

Isomer Specific by AOAC Method.

Note: If the design, format, or small size of the container labels makes it impractical to present the entire ingredient statement on the front panel, then the above substatement will be presented on the back panel:

Net Contents 2 gal (7.56 L); 1.5 gal (5.67 L); 1.25 gal (4.73 L); 1 gal (3.78 L); 64 fl oz (1.89 L); 40 fl oz (1.18 L); 32 fl oz (946 mL); 16 fl oz (473 mL); 6.4 fl oz (189 mL); 3.2 fl oz (95 mL); and other size within this range as deemed appropriate

KEEP OUT OF REACH OF CHILDREN

CAUTION

See back panel for additional precautionary statements.

Editorial Note – [Bracketed text] is optional language

(Back Panel)


OPEN Resealable Label for Directions & Precautions
PRESS TO RESEAL

[Bayer Advanced INSERT ABN PRODUCT NAME HERE Lawn Herbicide 2Q Concentrate's] [This product] [exclusive] formula kills listed lawn weeds plus crabgrass in one easy step and will not harm your lawn when used as directed. Treats 5,000 square feet, making it ideal for large areas. Rainproof in one hour. Controlling lawn weeds plus crabgrass in your lawn has never been easier!

Formatted: Highlight



[READ THE LABEL FIRST!]

QUICK FACTS	
<i>Editorial Note – Marketing Claims Positioned Here</i>	
KILLS	Broadleaf Weeds: Dandelion, Chickweed, and Clovers Grassy Weeds: Crabgrass And over 200 other listed weeds <i>or choose from marketing claims</i>
WHERE TO USE	ON LAWNS without harming lawn grasses – Bermudagrass ¹ , Buffalograss, Kentucky Bluegrass, Ryegrass, Fescue, Zoysia, Bentgrass ¹ Application to Bermudagrass may cause temporary yellowing or discoloration but full recovery can be expected. † (Do not use on Bahiagrass, Carpetgrass, Centipedegrass, St. Augustine [including 'Floritam'], or Dichondra.)
COVERAGE	This bottle treats an average size lawn (5,000 sq ft) <i>or choose from marketing claims</i>
	For questions or comments, call toll-free 1-800-XXX-YYYY 1-877-229-3724 or visit our website at www.CompanyName.com www.bianovaadvanced.com www.BioAdvanced.com www.BioAdvancedScienceBasedSolutions.com www.fortifendadvanced.com

Formatted: Highlight

Formatted: Highlight

Formatted: Highlight

FOR OUTDOOR RESIDENTIAL USE ONLY

EPA Reg. No. [72155-86-92564-42](#)

EPA Est. No. XXXX

Formatted: Highlight

+ FIRST AID	
If swallowed	<ul style="list-style-type: none">Call a poison control center or doctor immediately for treatment advice.Have person sip a glass of water if able to swallow.Do not induce vomiting unless told to do so by a poison control center or doctor.Do not give anything by mouth to an unconscious person.
If in eyes	<ul style="list-style-type: none">Hold eye open and rinse slowly and gently with water for 15 to 20 minutes.Remove contact lenses, if present, after the first 5 minutes, then continue rinsing eye.Call a poison control center or doctor for further treatment advice.
NOTE: When calling poison control center, have this product label accessible. If seeking treatment at an emergency room or doctor's office, bring this product label to show medical personnel. You may call toll-free 1-877-229-3763 for medical emergency information. Active Ingredients: 4.85% 2,4-D, dimethylamine salt (CAS # 2008-39-1), 0.45% Dicamba, dimethylamine salt (CAS # 2300-66-5), and 1.61% Quinclorac (CAS # 84087-1-4).	

PRECAUTIONARY STATEMENTS

HAZARDS TO HUMANS AND DOMESTIC ANIMALS

CAUTION

- Harmful if swallowed.
- Causes moderate eye irritation.
- Avoid contact with eyes, skin, or clothing.
- When using this product, wear long-sleeved shirt, long pants, socks, shoes, and rubber gloves.

After using this product:



- Rinse gloves before removing and wash hands.
- If product gets on skin, wash thoroughly with soap & water.
- If product gets on clothing, remove clothing as soon as possible and launder clothing separately before reuse.

ENVIRONMENTAL HAZARDS

- This product is toxic to fish and aquatic invertebrates.
- Drift or runoff may be hazardous to aquatic organisms in water adjacent to treated areas. To protect the environment, do not allow pesticide to enter or run off into storm drains, drainage ditches, gutters, or surface waters. Applying this product in calm weather when rain is not predicted for the next 24 hours will help to ensure that wind or rain does not blow or wash pesticide off the treatment area. Rinsing application equipment over the treated area will help avoid run off to water bodies or drainage systems.
- This chemical has properties and characteristics associated with chemicals detected in groundwater. The use of this chemical in areas where soils are permeable, particularly where the water table is shallow, may result in groundwater contamination. Application around a cistern or well may result in contamination of drinking water or groundwater.
- Most cases of groundwater contamination involving phenoxy herbicides such as 2,4-D have been associated with mixing/loading and disposal sites. Caution should be exercised when handling 2,4-D pesticides at such sites to prevent contamination of groundwater supplies. Use of closed systems for mixing or transferring this pesticide will reduce the probability of spills. Placement of the mixing/loading equipment on an impervious pad to contain spills will help prevent groundwater contamination.

DIRECTIONS FOR USE

It is a violation of Federal law to use this product in a manner inconsistent with its labeling.

HOW MUCH TO USE	<p>Measure area to be sprayed. Calculate 'square feet' by multiplying length times width.</p> <p>3.2 fl oz (6½ TBS) of this product in one gallon of water treats 500 sq ft [or 6.4 fl oz (13 TBS) of this product in two gallons of water treats 1,000 sq ft]</p> <p>Food utensils, such as teaspoons and measuring cups, must not be used for food purposes after use with this herbicide.</p> <p>The maximum application rate to turf is 1.5 pounds of 2,4-D acid equivalent per acre per application per site. The maximum number of broadcast applications per treatment site is 2 per year.</p>
HOW TO USE PUMP STYLE TANK SPRAYERS	<p>Shake bottle well before use.</p> <p><i>Best for spraying small areas (spot treatment) such as individual weeds.</i></p> <ol style="list-style-type: none"> Add the appropriate amounts of water & this product to the sprayer tank. [For 3.2 or 6.4 fl oz container: Pour entire contents into spray tank and fill with water to [1] [2] gallon mark.] Close sprayer, shake well and pressurize. Adjust nozzle to a coarse spray pattern. Hold tip of wand about 12" from weed(s), aim at center of weed & spray. Occasionally re-pressurize sprayer if needed to maintain a good spray pattern.
 DIAL-STYLE HOSE-END SPRAYERS	<p><i>Best for spraying large areas such as the entire lawn.</i></p> <ol style="list-style-type: none"> Fill sprayer jar with enough product for the area to be treated. DO NOT ADD WATER. Close sprayer and set dial as recommended below: <ul style="list-style-type: none"> - Ortho Dial 'N Spray Setting: 2 OZ - Chameleon Hose-End Sprayer Setting: 1 OZ <p>TIP: The numbers on dial indicate amount of concentrate per gallon of spray.</p> <ol style="list-style-type: none"> Hook to garden hose and apply. <p>To avoid contact with the treated area, begin by spraying area farthest from faucet walking backwards as you spray.</p> <ol style="list-style-type: none"> Pour any unused product back into this original container.
 CONCENTRATE PLUS WATER HOSE-END SPRAYERS	<p><i>Best for spraying large areas (broadcast treatment) such as the entire lawn.</i></p> <ol style="list-style-type: none"> Pour this product into sprayer jar to the required 'Fluid Ounce' level. Add the appropriate amount of water to the 'Gallons' level. Replace sprayer top and shake well before applying. Attach sprayer to garden hose and apply. To avoid contact with the treated area, begin by spraying area farthest from faucet walking backwards as you spray. <p>[This concentrate can also be used to refill all Lawn Herbicide 2Q Ready-To-Use (insert commercial product name) refillable [applications] [bottles] [sprayer] [containers]]. Follow all directions on Lawn Herbicide 2Q Ready-To-Use (insert commercial product name) label for refilling and use.</p>

<p>[FOR BEST RESULTS]</p>	<p>[WHEN TO APPLY]</p> <ul style="list-style-type: none"> • [Spray when <ul style="list-style-type: none"> - weeds are small and actively growing - temperature is below 90°F <i>Do not apply to Bermudagrass lawns when daytime temperatures exceed 85° F.</i> • [Certain hard-to-kill weeds may be retreated in 2 weeks if necessary. If more than 2 applications are needed, spot treat individual weeds using this product in a tank sprayer or a spot treatment lawn weed killer such as [this product] Bayer Advanced INSERT ABN PRODUCT NAME HERE All-in-One Lawn, Weed & Crabgrass Killer Ready to Use.] • [Do not apply while grass is emerging from dormancy.] • [Newly seeded lawn may be sprayed after fourth mowing.] • [Bare spots may be seeded 4 weeks after application.] • [Keep product spray & drift off plants growing in or around the lawn such as trees, shrubs, flowers, perennials, groundcovers, vegetables, & herbs.] <p>[MOWING]</p> <ul style="list-style-type: none"> • [Do not mow for 1 to 2 days after spraying.] • [Clippings from the first three mowings should be left on the treated area. Do not use the clippings from the treated areas as mulch or compost around flowers, ornamentals, trees, or in vegetable gardens.] <p>[WATERING]</p> <ul style="list-style-type: none"> • [If lawn is dry, water 1 to 2 days before using this product.] • [Rain or watering 1 hour after application will not wash away effectiveness.]
<p>HOW IT WORKS</p>	<p>This Product contains three proven weed killers to control lawn weeds & crabgrass down to the roots without harming your lawn when used as directed.</p>

Formatted: Highlight

WEEDS


Annual Yellow Sweetclover, Aster, Austrian Fieldcress, Barnyardgrass, Bedstraw, Beggarticks, Florida Betony, Field Bindweed, Bird Vetch, Bitter Wintercress, Hairy Bittercress, Bitterweed, Black-eyed Susan, Black Medic, Black Mustard, Blackseed Plantain, Blessed Thistle, Bloodflower Milkweed, Blue Lettuce, Blue Vervain, Bracted Plantain, Brassbuttons, Bristly Oxtongue, Broadleaf Dock, Broadleaf Plantain, Broadleaf Signalgrass, Broomweed, Buckhorn, Buckhorn Plantain, Bulbous Buttercup, Bull Thistle, Bullnettle, Burclover, Burdock, Burning Nettle, Burweed, Buttercup, Buttonweed, Canada Thistle, Carolina Geranium, Carpetweed, Catchweed Bedstraw, Catnip, Catsear, Common Chickweed, Mouseear Chickweed, Chicory, Cinquefoil, Crimson Clover, Hop Clover, Red Clover, Strawberry Clover, Sweet Clover, White Clover, Cockle, Cocklebur, Common Mullein, Creeping Charlie, Creeping Jenny, Cudweed, Curly Dock, English Daisy, Fleabane Daisy, Oxeye Daisy, Dandelion, Dichondra, Dogbane, Dogfennel, Dollarweed, Elderberry, False Dandelion, False Flax, False Sunflower, Fiddleneck, Florida Pusley, Frenchweed, Galinsoga, Giant Foxtail, Goathead, Goldenrod, Green Foxtail, Ground Ivy, Gumweed, Hairy Fleabane, Hawkweed, Healall, Drymary Heartleaf, Heath Aster, Hedge Bindweed, Hedge Mustard, Hemp, Henbit, Hoary Cress, Hoary Plantain, Hoary Vervain, Horsenettle, Jimsonweed, Knawel, Knotweed, Kochia, Lambsquarters, Large Crabgrass, Lespedeza, Mallow, Matchweed, Mexicanweed, Milk Vetch, Morningglory, Mouseear Hawkweed, Mugwort, Musk Thistle, Mustard, Narrowleaf Plantain, Narrowleaf Vetch, Nettle, Orange Hawkweed, Oriental Cocklebur, Oxalis, Parsley-piert, Parsnip, Pearlwort, Pennycress, Pennywort, Peppergrass, Pepperweed, Pigweed, Pineywoods Bedstraw, Plains Coreopsis (Tickseed), Plantain, Poison Ivy, Poison Oak, Pokeweed, Poorjoe, Prairie Sunflower, Prickly Lettuce, Prickly Sida, Prostrate Knotweed, Prostrate Pigweed, Prostrate Spurge, Prostrate Vervain, Puncturevine, Common Purslane, Ragweed, Red Sorrel, Redroot Pigweed, Redstem Filaree, Rough Cinquefoil, Rough Fleabane, Russian Pigweed, Russian Thistle, Scarlet Pimpernel, Scotch Thistle, Sheep Sorrel, Shepherdspurse, Slender Plantain, Smallflower Galinsoga, Smooth Crabgrass, Smooth Dock, Smooth Pigweed, Sorrel, Sowthistle, Spanishneedles, Speedwell, Spiny Amaranth, Spiny Cocklebur, Spiny Sowthistle, Spotted Catsear, Spotted Spurge, Spurweed, Stinging Nettle, India Mock Strawberry, Tall Nettle, Tall Vervain, Tansy Mustard, Tansy Ragwort, Tanweed, Thistle, Trailing Crownvetch, Tumble Mustard, Tumble Pigweed, Velvetleaf, Venice Mallow, Virginia Buttonweed, Virginia Creeper, Virginia Pepperweed, Water Pennywort, Wavyleaf Bullthistle, Western Clematis, Western Salsify, White Mustard, Wild Aster, Wild Buckwheat, Wild Carrot, Wild Four-o'clock, Wild Garlic, Wild Geranium, Wild Lettuce, Wild Marigold, Wild Mustard, Wild Onion, Wild Parsnip, Wild Radish, Wild Rape, Wild Strawberry, Wild Sweet Potato, Wild Vetch, Wild Violet, Woodsorrel, Woolly Croton, Woolly Morningglory, Woolly Plantain, Wormseed, Yarrow, Yellow Foxtail, Yellowflower Pepperweed, Yellow Rocket, and other broadleaf weeds



Do not apply this product in a way that will contact any person, pet either directly or through drift. Keep people and pets out of the area during application. Do not allow people or pets to enter the treated area until spray has dried.

STORAGE AND DISPOSAL**Pesticide Storage**

Store in original container in a cool, dry place, out of the reach of children, preferably a locked storage cabinet. Protect from freezing.

Container Handling 	If empty: Non-refillable container. Do not refill or reuse this container. Place in trash or offer for recycling if available. If partly filled: Call your local solid waste agency or toll free 1-877-229-3724 for disposal instructions. Never place unused product down any indoor or outdoor drain.
--	--

NOTICE: Research and testing have determined that the "Directions for Use" are appropriate for the proper use of this product under expected conditions. To the extent consistent with applicable law, the Buyer assumes responsibility for lack of performance or safety if not used according to the directions.

***Money Back Guarantee:** If you are not satisfied with this product, we will gladly refund your original purchase price.

PRODUCED FOR

DISTRIBUTED BY

Formatted: Highlight



www.bayeradvanced.com

A Division of Bayer CropScience, L.P.

P.O. Box 12014, 2 T.W. Alexander Drive

Research Triangle Park, North Carolina 27712

SBM Life Science Corp

1001 Winstead Drive, Suite 500

Cary, North Carolina 27513

Formatted: Highlight

(Pre-packed Hose-end Ready-to-Spray Label)

(FRONT PANEL)

Bayer Advanced Lawn Herbicide 2Q Ready-to-Spray

(ABN) Biancova Advanced All-in-One Lawn Weed & Crabgrass Killer1 Ready-to-Spray; BioAdvanced All-in-One Lawn Weed & Crabgrass Killer1 Ready-to-Spray; BioAdvanced Science-Based Solutions All-in-One Lawn Weed & Crabgrass Killer1 Ready-to-Spray; Fortifend Advanced All-in-One Lawn Weed & Crabgrass Killer1 Ready-to-Spray

Formatted: Font: 14 pt

▪ *Editorial Note – Marketing Claims Positioned Here*

Active Ingredients:

2,4-D, dimethylamine salt.....	4.85%
Quinclorac.....	1.61%
Dicamba, dimethylamine salt.....	0.45%
Other Ingredients	93.09%
Total	100.000%

EPA Reg. No. **72155-86-92564-42**

EPA Est. No.

Formatted: Highlight

THIS PRODUCT CONTAINS:

- 0.343 lb. 2,4-dichlorophenoxyacetic acid equivalent per gallon or 4.03%
- 0.137 lb. 3,7-dichloro-8-quinolinecarboxylic acid per gallon or 1.61%
- 0.031 lb. 3,6-dichloro-o-anisic acid equivalent per gallon or 0.37%

Isomer Specific by AOAC Method.

Note: If the design, format, or small size of the container labels makes it impractical to present the entire ingredient statement on the front panel, then add a referral statement and present the above substatement on the back panel.

Net Contents 2 gal (7.56 L); 1.5 gal (5.67 L); 1.25 gal (4.73 L); 1 gal (3.78 L); 64 fl oz (1.89 L); 40 fl oz (1.18 L); 32 fl oz (946 mL); 16 fl oz (473 mL); 6.4 fl oz (189 mL); 3.2 fl oz (95 mL); and other size within this range as deemed appropriate

KEEP OUT OF REACH OF CHILDREN

CAUTION

See back panel for additional precautionary statements.

Editorial Note – [Bracketed text] is optional language

(Back Panel)


OPEN Resealable Label for Directions & Precautions
PRESS TO RESEAL

[Bayer Advanced-INSERT ABN PRODUCT NAME HERE Lawn Herbicide 2Q Ready-to-Spray's] [This product] [exclusive] formula kills lawn weeds plus crabgrass in one easy step and it will not harm your lawn when used as directed. [Convenient sprayer top connects to garden hose and automatically dispenses the weed killer]. Treats 5,000 square feet, making it ideal for large areas. Rainproof in one hour. No messy cleanup. Controlling lawn weeds plus crabgrass in your lawn has never been easier!

Formatted: Highlight



[READ THE LABEL FIRST!]

QUICK FACTS	
<i>Editorial Note – Marketing Claims Positioned Here</i>	
KILLS	Broadleaf Weeds: Dandelion, Chickweed, and Clovers Grassy Weeds: Crabgrass And over 200 other listed weeds <i>or choose from marketing claims</i>
WHERE TO USE	ON LAWNS without harming lawn grasses – Bermudagrass ¹ , Buffalograss, Kentucky Bluegrass, Ryegrass, Fescue, Zoysia, Bentgrass ¹ Application to Bermudagrass may cause temporary yellowing or discoloration but full recovery can be expected. † (Do not use on Bahiagrass, Carpetgrass, Centipedegrass, St. Augustine [including 'Floratam'], or Dichondra.)
COVERAGE	This bottle treats an average size lawn (5,000 sq ft). Just hook bottle to hose and you are ready. <i>or choose from marketing claims</i>
	For questions or comments, call toll-free 1-800-XXX-YYYY 1-877-229-3754 or visit our website at www.CompanyName.com www.bianovaadvanced.com www.BioAdvanced.com www.BioAdvancedScienceBasedSolutions.com www.fortifendadvanced.com

Formatted: Highlight

Formatted: Highlight

Formatted: Highlight

FOR OUTDOOR RESIDENTIAL USE ONLY

EPA Reg. No. [72155-86 92564-42](#)

EPA Est. No.

Formatted: Highlight

✚ FIRST AID

If swallowed	<ul style="list-style-type: none">▪ Call a poison control center or doctor immediately for treatment advice.▪ Have person sip a glass of water if able to swallow.▪ Do not induce vomiting unless told to do so by a poison control center or doctor.▪ Do not give anything by mouth to an unconscious person.
If in eyes	<ul style="list-style-type: none">▪ Hold eye open and rinse slowly and gently with water for 15 to 20 minutes.▪ Remove contact lenses, if present, after the first 5 minutes, then continue rinsing eye.▪ Call a poison control center or doctor for further treatment advice.

NOTE: When calling poison control center, have this product label accessible. If seeking treatment at an emergency room or doctor's office, bring this product label to show medical personnel. **You may call toll-free 1-877-229-3763 for medical emergency information.**

Active Ingredients: 4.85% 2,4-D, dimethylamine salt (CAS # 2008-39-1), 0.45% Dicamba, dimethylamine salt (CAS # 2300-66-5), and 1.61%Quinclorac (CAS # 84087-1-4).

PRECAUTIONARY STATEMENTS

HAZARDS TO HUMANS AND DOMESTIC ANIMALS

CAUTION

- Harmful if swallowed.
- Causes moderate eye irritation.
- Avoid contact with eyes, skin, or clothing.
- When using this product, wear long-sleeved shirt, long pants, socks, shoes, and rubber gloves.

After using this product:


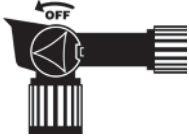
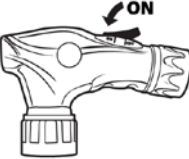
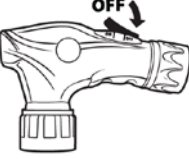

- Rinse gloves before removing and wash hands.
- If product gets on skin, wash thoroughly with soap & water.
- If product gets on clothing, remove clothing as soon as possible and launder clothing separately before reuse.

ENVIRONMENTAL HAZARDS

- This product is toxic to fish and aquatic invertebrates.
- Drift or runoff may be hazardous to aquatic organisms in water adjacent to treated areas. To protect the environment, do not allow pesticide to enter or run off into storm drains, drainage ditches, gutters or surface waters. Applying this product in calm weather when rain is not predicted for the next 24 hours will help to ensure that wind or rain does not blow or wash pesticide off the treatment area. Rinsing application equipment over the treated area will help avoid run off to water bodies or drainage systems.
- This chemical has properties and characteristics associated with chemicals detected in groundwater. The use of this chemical in areas where soils are permeable, particularly where the water table is shallow, may result in groundwater contamination. Application around a cistern or well may result in contamination of drinking water or groundwater.

DIRECTIONS FOR USE

It is a violation of Federal law to use this product in a manner inconsistent with its labeling.

<p>HOW MUCH TO USE</p>	<p>Measure area to be sprayed. Calculate 'square feet' by multiplying length times width. [This bottle will treat 5,000 sq. ft. in about 20 minutes (actual time will vary depending on water pressure), <i>Editorial Note – Final time value will be adjusted based on final hose-end sprayer selected for market.</i></p> <p>The maximum application rate to turf is 1.5 pounds of 2,4-D acid equivalent per acre per application per site. The maximum number of broadcast applications per treatment site is 2 per year.</p>
<p style="text-align: center;">HOW TO USE</p> <p>[Note: graphics of RTS sprayer head optional]</p> <p style="text-align: center;">Shake Well Before Use</p> <div style="text-align: center;">   </div> <div style="text-align: center;">   </div>	<p>[Optional Sprayer Directions 1]</p> <p>[CONNECT]</p> <ol style="list-style-type: none"> 1. Shake well before use. 2. Connect sprayer to garden hose. 3. Turn on water. <div style="text-align: right; margin-right: 50px;">  </div> <p>SPRAY</p> <ol style="list-style-type: none"> 1. Extend hose to farthest area to be treated, point sprayer nozzle in direction to be sprayed. 2. Begin spraying – Push & hold lock tab away from knob, use other hand to turn knob (counter) clockwise to ON position. 3. Walk at a steady pace while spraying, using an even sweeping motion, and slightly overlap the treated areas. Work back toward the faucet to avoid walking over wet, treated grass. <p>FINISH</p> <ol style="list-style-type: none"> 1. To stop spraying, push & hold lock tab away from knob and use other hand to turn knob (counter) clockwise to OFF position. 2. Turn off water at faucet. 3. Relieve water pressure in hose by turning sprayer back to ON position until water slows to a drip then turn sprayer OFF. 4. Disconnect sprayer from hose.] <p>[Optional Sprayer Directions 2]</p> <p>[CONNECT]</p> <ol style="list-style-type: none"> 1. Shake well before use. 2. Securely Connect sprayer to garden hose. 3. Be sure that ON/OFF Switch is in OFF position, toward hose end of sprayer. 4. Turn on water at faucet. 5. For first time use, remove plastic shipping lock from beneath switch. <p>SPRAY</p> <ol style="list-style-type: none"> 1. Extend hose to farthest area to be treated, point sprayer nozzle in direction to be sprayed. 2. Begin spraying - Push ON/OFF Switch forward into ON position. 3. Walk at a steady pace while spraying, using an even sweeping motion, and slightly overlap treated areas. Work back toward faucet to avoid walking over wet, treated grass. <p>FINISH</p> <ol style="list-style-type: none"> 1. To stop spraying, push ON/OFF Switch to OFF position. 2. Turn off water at faucet. 3. Relieve water pressure in hose by turning ON/OFF Switch back to ON position until water slows to a drip, then return ON/OFF switch to OFF position. 4. Disconnect sprayer from hose.]
	<p>[WHEN TO APPLY]</p> <ul style="list-style-type: none"> • [Spray when <ul style="list-style-type: none"> – weeds are small and actively growing – temperature is below 90°F. <i>Do not apply to</i>

<p>[FOR BEST RESULTS]</p>	<p><i>Bermudagrass lawns when daytime temperatures exceed 85° F.]</i></p> <ul style="list-style-type: none"> • [Certain hard-to-kill weeds may be retreated in 2 weeks if necessary. If more than 2 applications are needed, use a spot treatment lawn weed killer such as [this product] Bayer Advanced INSERT ABN PRODUCT NAME HERE All-in-One Lawn, Weed & Crabgrass Killer Ready to Use]. • [Do not apply while grass is emerging from dormancy.] • [Newly seeded lawn may be sprayed after fourth mowing.] • [Bare spots may be seeded 4 weeks after application.] • [Keep product spray off plants growing in or around the lawn such as trees, shrubs, flowers, perennials, groundcovers, vegetables, & herbs.] <p>[MOWING]</p> <ul style="list-style-type: none"> • [Do not mow for 1 to 2 days after spraying] • [Clippings from the first three mowings should be left on the treated area. Do not use clippings from the treated areas as mulch or compost around flowers, ornamentals, trees, or in vegetable gardens.] <p>[WATERING] product.]</p> <ul style="list-style-type: none"> • [If lawn is dry, water 1 to 2 days before using this • [Rain or watering 1 hour after application will not wash away effectiveness.]
<p>HOW IT WORKS</p>	<p>This Product contains three proven weed killers to control listed lawn weeds & listed crabgrass down to the roots without harming your lawn when used as directed.</p>

Formatted: Highlight

WEEDS

Annual Yellow Sweetclover, Aster, Austrian Fieldcress, Barnyardgrass, Bedstraw, Beggarticks, Florida Betony, Field Bindweed, Bird Vetch, Bitter Wintercress, Hairy Bittercress, Bitterweed, Black-eyed Susan, Black Medic, Black Mustard, Blackseed Plantain, Blessed Thistle, Bloodflower Milkweed, Blue Lettuce, Blue Vervain, Bracted Plantain, Brassbuttons, Bristly Oxtongue, Broadleaf Dock, Broadleaf Plantain, Broadleaf Signalgrass, Broomweed, Buckhorn, Buckhorn Plantain, Bulbous Buttercup, Bull Thistle, Bullnettle, Burclover, Burdock, Burning Nettle, Burweed, Buttercup, Buttonweed, Canada Thistle, Carolina Geranium, Carpetweed, Catchweed Bedstraw, Catnip, Catsear, Common Chickweed, Mouseear Chickweed, Chicory, Cinquefoil, Crimson Clover, Hop Clover, Red Clover, Strawberry Clover, Sweet Clover, White Clover, Cockle, Cocklebur, Common Mullein, Creeping Charlie, Creeping Jenny, Cudweed, Curly Dock, English Daisy, Fleabane Daisy, Oxeye Daisy, Dandelion, Dichondra, Dogbane, Dogfennel, Dollarweed, Elderberry, False Dandelion, False Flax, False Sunflower, Fiddleneck, Florida Pusley, Frenchweed, Galinsoga, Giant Foxtail, Goathead, Goldenrod, Green Foxtail, Ground Ivy, Gumweed, Hairy Fleabane, Hawkweed, Healall, Drymary Heartleaf, Heath Aster, Hedge Bindweed, Hedge Mustard, Hemp, Henbit, Hoary Cress, Hoary Plantain, Hoary Vervain, Horsenettle, Jimsonweed, Knawel, Knotweed, Kochia, Lambsquarters, Large Crabgrass, Lespedeza, Mallow, Matchweed, Mexicanweed, Milk Vetch, Morningglory, Mouseear Hawkweed, Mugwort, Musk Thistle, Mustard, Narrowleaf Plantain, Narrowleaf Vetch, Nettle, Orange Hawkweed, Oriental Cocklebur, Oxalis, Parsley-piert, Parsnip, Pearlwort, Pennycress, Pennywort, Peppergrass, Pepperweed, Pigweed, Pinewoods Bedstraw, Plains Coreopsis (Tickseed), Plantain, Poison Ivy, Poison Oak, Pokeweed, Poorjoe, Prairie Sunflower, Prickly Lettuce, Prickly Sida, Prostrate Knotweed, Prostrate Pigweed, Prostrate Spurge, Prostrate Vervain, Puncturevine, Common Purslane, Ragweed, Red Sorrel, Redroot Pigweed, Redstem Filaree, Rough Cinquefoil, Rough Fleabane, Russian Pigweed, Russian Thistle, Scarlet Pimpernel, Scotch Thistle, Sheep Sorrel, Shepherdspurge, Slender Plantain, Smallflower Galinsoga, Smooth Crabgrass, Smooth Dock, Smooth Pigweed, Sorrel, Sowthistle, Spanishneedles, Speedwell, Spiny Amaranth, Spiny Cocklebur, Spiny Sowthistle, Spotted Catsear, Spotted Spurge, Spurweed, Stinging Nettle, India Mock Strawberry, Tall Nettle, Tall Vervain, Tansy Mustard, Tansy Ragwort, Tanweed, Thistle, Trailing Crownvetch, Tumble Mustard, Tumble Pigweed, Velvetleaf, Venice Mallow, Virginia Buttonweed, Virginia Creeper, Virginia Pepperweed, Water Pennywort, Wavyleaf Bullthistle, Western Clematis, Western Salsify, White Mustard, Wild Aster, Wild Buckwheat, Wild Carrot, Wild Four-o'clock, Wild Garlic, Wild Geranium, Wild Lettuce, Wild Marigold, Wild Mustard, Wild Onion, Wild Parsnip, Wild Radish, Wild Rape, Wild Strawberry, Wild Sweet Potato, Wild Vetch, Wild Violet, Woodsorrel, Woolly Croton, Woolly Morningglory, Woolly Plantain, Wormseed, Yarrow, Yellow Foxtail, Yellowflower Pepperweed, Yellow Rocket, and other broadleaf weeds



Do not apply this product in a way that will contact any person or pet, either directly or through drift. Keep people and pets out of the area during application. Do not allow people (other than applicator) or pets to enter the treated area until spray has dried.

STORAGE AND DISPOSAL	
Pesticide Storage	Store in original container in a cool, dry place, out of the reach of children, preferably a locked storage cabinet. Protect from freezing.
Container Handling 	If empty: Non-refillable container. Do not refill or reuse this container. Place in trash or offer for recycling if available. If partly filled: Call your local solid waste agency or toll free 1-877-229-3724 for disposal instructions. Never place unused product down any indoor or outdoor drain.

NOTICE: Research and testing have determined that the "Directions for Use" are appropriate for the proper use of this product under expected conditions. To the extent consistent with applicable law, the Buyer assumes responsibility for lack of performance or safety if not used according to the directions.

***Money Back Guarantee:** If you are not satisfied with this product, we will gladly refund your original purchase price.

PRODUCED FOR

DISTRIBUTED BY

Formatted: Highlight



www.bayeradvanced.com

A Division of Bayer CropScience, L.P.

P.O. Box 12014, 2 T.W. Alexander Drive

Research Triangle Park, North Carolina 27712

SBM Life Science Corp

1001 Winstead Drive, Suite 500

Cary, North Carolina 27513

Formatted: Highlight

Lawn Herbicide 2Q RTS (PENDING) 04/11/2017

[Marketing Claims]

- One quart covers up to 5,000 square feet.
- 1 quart treats [up to] 5,000 sq ft
- Treats 5,000 sq ft [32 fl oz size]
- Concentrate
- Large Yard Size
- For Large Yards
- Keep from freezing.
- Controls crabgrass, dandelion, chickweed, knotweed, henbit, plantain, clover, spurge and many other listed broadleaf lawn weeds
- Kills even the tough listed weeds- To the Root!
- Controls even the tough listed weeds- To the Root!
- Controls (Number) listed weeds!
- Mixes with Water - Concentrate
- Kill crabgrass, & [any listed weed(s)] too!
- Kills Crabgrass plus Listed Broadleaf Weeds
- CONTROLS
 - SENSITIVE WEEDS: [Crabgrass, Bedstraw, Black Medic, Buckhorn, Chickweed, Clover, Dandelion, Knotweed, Lambsquarters, Peppergrass, Plantain, Purslane, Ragweed and Wild Lettuce].
 - HARD-TO-KILL WEEDS: [Chicory, Creeping Charlie, Creeping Jenny, Dock, Ground Ivy, Heal-All, Lespedeza, Mallow, Morningglory, Oxalis, Pigweed, Poison Ivy, Poison Oak, Sheep Sorrel, Speedwell, Spurge, Wild Carrot, Wild Onion, Yarrow and many other listed broadleaf weeds].
- Kills Listed Lawn Weeds plus Crabgrass in One [Easy] Step
- Kills Over 200 Listed Lawn Weeds Plus Crabgrass in One [Easy] Step
- Kills Listed Weeds
- Kills Hard-to-Control Listed Weeds
- Systemic [Herbicide] [Activity]
- Kills Both Listed Broadleaf and Grass(y) Weeds
- Kills Dandelion, Crabgrass, Clover, plus 200 Other listed Weeds
- Kills the root.
- Water based.
- Won't harm lawn† grass when used according to label directions.
- Kills listed lawn weeds plus crabgrass.
- Kills [Controls] 200+ listed broadleaf weeds.
- Kills the listed weeds not the lawn†
- Attach to [garden] hose and spray
- Simple to use
- Easy to use
- Easy to mix
- Proven performance
- For home lawn care
- Won't Harm your Lawn† [when used as directed]
- Won't harm lawn grass† [when used as directed]
- New!
- Two-in-One Product that Kills Listed Crabgrass & Broadleaf Weeds
- Kills both listed Crabgrass & listed Broadleaf weeds
- Proprietary Formula that Kills Both Crabgrass and Broadleaf Weeds
- Effectively Kills Both Listed Broadleaf and certain listed weed grasses
- Won't Harm Lawns† (when used as directed)
- Two Products in one

- Kills 200+ Listed Weeds [& Crabgrass] (to the root)
- Rainproof in 1 Hour
- Starts Working Immediately
- Visible results in 24 hours
- All Weather Formula (rainproof in 1 hour)
- 100% Satisfaction Guaranteed* (or your money back)
- Bonus [X] oz size – [X]% more than [X] oz size
- Now covers [XXX] [square] [sq] feet
- Bonus [X] oz size
- Free refill [for 1.3 gallon Ergo Grip Lawn Herbicide 2Q Ready-To-Use]
- [Free] bonus refill
- [XXX] oz makes [XXX] gallon[s] of spray
- [Picture of Dandelion (Taraxacum officinale)]
- [Picture of crabgrass (Digitaria)]
- [Picture of common lawn weeds]

RTS Sprayer Claims:

- [Just] hook to hose and go
- No faster or easier way to treat listed weeds
- Fastest & Easiest way to treat listed weeds
- [optional advertising claims when product is sold in "low-water" hose-end sprayers, as determined by testing]
- Water [Saver][Saving] Formula
- Water [Saver][Saving] Applicator
- Water [Saver][Saving] Sprayer
- Uses Up To [20][XX]% Less Water*
- [with footnote disclaimer] *vs leading weed hose end sprayers
- Easy hold
- EZ Spray
- One-touch sprayer
- EZ grip
- Ergo grip
- Simple spray
- EZ grip
- One touch
- Spray n go
- Thumb switch
- Handy spray
- EZ touch
- One-touch application

Marketing Claim for Brand Name Change:

New Name. Same Great Results.

New Name. Same Familiar Formula.

New Name. Same Performance.

Formatted: Highlight

(Label for outer packaging/box of a multi-pack with full label affixed on container in box)

Bayer Advanced Lawn Herbicide 2Q Concentrate/Ready-to-Spray

(ABN) Bianova Advanced All-in-One Lawn Weed & Crabgrass Killer1 Concentrate; BioAdvanced All-in-One Lawn Weed & Crabgrass Killer1 Concentrate; BioAdvanced Science-Based Solutions All-in-One Lawn Weed & Crabgrass Killer1 Concentrate; Fortifend Advanced All-in-One Lawn Weed & Crabgrass Killer1 Concentrate; Bianova Advanced All-in-One Lawn Weed & Crabgrass Killer1 Ready-to-Spray; BioAdvanced All-in-One Lawn Weed & Crabgrass Killer1 Ready-to-Spray; BioAdvanced Science-Based Solutions All-in-One Lawn Weed & Crabgrass Killer1 Ready-to-Spray; Fortifend Advanced All-in-One Lawn Weed & Crabgrass Killer1 Ready-to-Spray

Formatted: Font: (Default) Arial, 14 pt, Bold

Formatted: Normal, Left

Formatted: Font: (Default) Arial, 14 pt, Bold

Formatted: Font: (Default) Arial, 14 pt, Bold

Formatted: Font: (Default) Arial, 14 pt, Bold

Formatted: Font: 14 pt

Active Ingredients:

2,4-D, dimethylamine salt.....	4.85%
Quinclorac.....	1.61%
Dicamba, dimethylamine salt.....	0.45%
Other Ingredients.....	93.09%
Total	100.000%

EPA Reg. No. **72155-86 92564-42**

EPA Est. No.

Formatted: Highlight

KEEP OUT OF REACH OF CHILDREN

CAUTION

PRECAUTIONARY STATEMENTS

HAZARDS TO HUMANS AND DOMESTIC ANIMALS

CAUTION

- Harmful if swallowed.
- Causes moderate eye irritation.
- Avoid contact with eyes, skin, or clothing.
- When using this product, wear long-sleeved shirt, long pants, socks, shoes, and rubber gloves.

After using this product:

- Rinse gloves before removing and wash hands.
- If product gets on skin, wash thoroughly with soap & water.
- If product gets on clothing, remove clothing as soon as possible and launder clothing separately before reuse.

Read the label on the container in the box for full directions for use.

[Marketing claims]

[For promotional use only. Not for resale.]

[Not for individual sale]

PRODUCED FOR

DISTRIBUTED BY



www.bayeradvanced.com

SBM Life Science Corp

1001 Winstead Drive, Suite 500

Cary, North Carolina 27513

A Division of Bayer-CropScience, L.P.

P.O. Box 12014, 2 T.W. Alexander Drive

Research Triangle Park, North Carolina 27712

Formatted: Highlight

Formatted: Highlight

Formatted: Highlight