



UNITED STATES ENVIRONMENTAL PROTECTION AGENCY
WASHINGTON, DC 20460

OFFICE OF CHEMICAL SAFETY
AND POLLUTION PREVENTION

September 26, 2019

Mrs. Jane M. Miller
Agent for In2Care BV
c/o Biologic Consulting, Inc.
115 Obtuse Hill Road
Brookfield, CT 06804-3223

Subject: Label Amendment – Addition of User Manual Graphics/Use Instructions in Booklet Format, Minor Revisions to DFU & Elimination of Some Text on Small Individual Packages
Product Name: In2Mix®
EPA Registration Number: 91720-1
Application Date: April 3, 2019
Decision Number: 554473

Dear Mrs. Miller:

The amended label referred to above, submitted in connection with registration under the Federal Insecticide, Fungicide and Rodenticide Act, as amended, is acceptable. This approval does not affect any conditions that were previously imposed on this registration. You continue to be subject to existing conditions on your registration and any deadlines connected with them.

A stamped copy of your labeling is attached for your records. This labeling supersedes all previously accepted labeling. You must submit one copy of the final printed labeling before you release the product for shipment with the new labeling. In accordance with 40 CFR 152.130(c), you may distribute or sell this product under the previously approved labeling for 18 months from the date of this letter. After 18 months, you may only distribute or sell this product if it bears this new revised labeling or subsequently approved labeling. "To distribute or sell" is defined under FIFRA section 2(gg) and its implementing regulation at 40 CFR 152.3.

Should you wish to add/retain a reference to the company's website on your label, then please be aware that the website becomes labeling under the Federal Insecticide Fungicide and Rodenticide Act and is subject to review by the Agency. If the website is false or misleading, the product would be misbranded and unlawful to sell or distribute under FIFRA section 12(a)(1)(E). 40 CFR 156.10(a)(5) list examples of statements EPA may consider false or misleading. In addition, regardless of whether a website is referenced on your product's label, claims made on the website may not substantially differ from those claims approved through the registration process. Therefore, should the Agency find or if it is brought to our attention that a website contains false or misleading statements or claims substantially differing from the EPA approved registration, the website will be referred to the EPA's Office of Enforcement and Compliance.

Your release for shipment of the product constitutes acceptance of these conditions. If these conditions are not complied with, the registration will be subject to cancellation in accordance with FIFRA section 6. If you have any questions, please contact Mr. Carmen J. Rodia, Jr. by phone at (703) 306-0327, or via email at Rodia.Carmen@epa.gov.

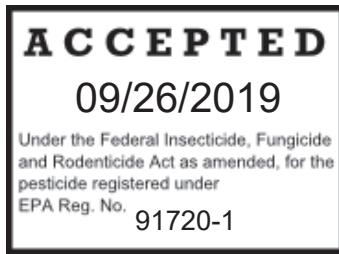
Sincerely,

A handwritten signature in blue ink, appearing to read "Mr. Johnson".

For:
Marion J. Johnson, Jr., Acting Product Manager 10
Invertebrate & Vertebrate Branch 2
Registration Division (7505P)

Attachment: Stamped "Accepted" Master Label, dated September 26, 2019

Outer Bag Labeling –



PYRIPROXYFEN	GROUP	7C	INSECTICIDE
<i>Beauveria bassiana</i> Strain GHA	GROUP	UN	INSECTICIDE

In2Mix®**For Use In The In2Care® Trap**

For use to control *Aedes* species of Mosquitoes that may
transmit Zika, Chikungunya, and Dengue Fever

THIS PRODUCT IS NOT FOR SALE TO OR USE BY HOMEOWNERS

READ ALL LABEL DIRECTIONS COMPLETELY BEFORE USE

Active Ingredients:	% w/w
Pyriproxyfen (CAS No. 95737-68-1).....	74.03%
<i>Beauveria bassiana</i> strain GHA* (CAS No. 63428-82-0).....	10.00%
Other Ingredients:	<u>15.97%</u>
Total	100.00%

* Contains not less than 4.5×10^9 viable spores/gm.

KEEP OUT OF REACH OF CHILDREN
CAUTION

**SEE LABEL BOOKLET FOR ADDITIONAL PRECAUTIONARY STATEMENTS
AND COMPLETE DIRECTIONS FOR USE**

Manufactured by:
In2Care BV
Marijkeweg 22, 6709 PG,
Wageningen,
The Netherlands

EPA Reg. No.: 91720-1
EPA Est. No.: XXXXX-XX-XXX

Net Weight: [12.5 g (0.44 [oz.][ounce])
25 packages x 0.5 g each (0.018 [oz.][ounce])]
[25 g (0.88 [oz.][ounce])
50 packages x 0.5 g each (0.018 [oz.][ounce])]
[50 g (1.76 [oz.][ounces])
100 packages x 0.5g each (0.018 [oz.][ounce])]

FIRST AID	
If Inhaled	Move person to fresh air. If person is not breathing, call 911 or an ambulance, then give artificial respiration, preferably by mouth-to-mouth, if possible. Call a poison control center or doctor for further treatment advice.
If Swallowed	Call a poison control center or doctor immediately for treatment advice. Have a person sip a glass of water if able to swallow. Do not induce vomiting unless told to do so by the poison control center or doctor. Do not give anything by mouth to an unconscious person.
If on Skin	Take off contaminated clothing. Rinse skin immediately with plenty of water for 15-20 minutes. Call a poison control center or doctor for treatment advice.
If in Eyes	Hold eye open and rinse slowly and gently with water for 15-20 minutes. Remove contact lenses, if present, after the first 5 minutes, then continue rinsing eye. Call a poison control center or doctor for treatment advice.
HOT LINE NUMBER	
Have the product container or label with you when calling a poison control center or doctor or going for treatment. For non-emergency general information on this pesticide product (including health concerns or pesticide incidents), call the poison control center at 1-800-222-1222 after 12:00 P.M. PST on weekdays and during the weekend.	

PRECAUTIONARY STATEMENTS

HAZARD TO HUMAN AND DOMESTIC ANIMALS

Harmful if inhaled, swallowed, or absorbed through skin. Causes moderate eye irritation. Avoid breathing dust. Avoid contact with skin, eyes or clothing. Wash hands thoroughly with soap and water after handling and before eating, drinking, chewing gum, using tobacco or using the toilet. Repeated exposure to high concentrations of microbial proteins can cause allergic sensitization. Prolonged or frequently repeated skin contact may cause allergic reactions in some individuals. Remove and wash contaminated clothing before reuse. Obtain medical attention if irritation persists. Avoid contamination of food or feedstuffs.

STORAGE AND DISPOSAL

Do not contaminate water, food, or feed by storage or disposal.

PESTICIDE STORAGE: Keep this product in its tightly closed original container when not in use. Store in a cool, dry, well-ventilated area that is inaccessible to children and animals. For optimal long-term storage, do not store above 73° F (23° C). Store this product in a place away from strong bases, strong acids, sources of ignition and direct sunlight.

During transport and field use, keep **In2Mix**[®] packages below 110° F (43° C) at all times by avoiding sunlight and heat, and using isolation packaging.

PESTICIDE DISPOSAL: Dispose of used gauze in a sanitary landfill, or by other procedures approved by state and local authorities. Dispose of used water with attractants by pouring out of **In2Care**[®] trap onto the ground, and not near a water source. Prevent entry of used water into sewers, gutters, or drains, or any area where drainage to storm sewers, water bodies, or aquatic habitat can occur. Notify authorities if liquid enters sewers or public waters.

CONTAINER HANDLING: Completely empty **In2Mix**[®] package into the **In2Care**[®] trap by shaking and tapping sides and bottom to loosen clinging particles. When completely empty, dispose of empty package in trash or by other procedures approved by state and local authorities.

Label Booklet –

PYRIPROXYFEN	GROUP	7C	INSECTICIDE
<i>Beauveria bassiana</i> Strain GHA	GROUP	UN	INSECTICIDE

In2Mix®

For Use In The In2Care® Trap

For use to control *Aedes* species of Mosquitoes that may transmit Zika, Chikungunya, and Dengue Fever

THIS PRODUCT IS NOT FOR SALE TO OR USE BY HOMEOWNERS

SHAKE In2Mix® PACKAGE BEFORE USE

READ ALL LABEL DIRECTIONS COMPLETELY BEFORE USE

Active Ingredients:	% w/w
Pyriproxyfen (CAS No. 95737-68-1).....	74.03%
<i>Beauveria</i> strain GHA* (CAS No. 63428-82-0).....	10.00%
Other Ingredients:	<u>15.97%</u>
Total	100.00%

* Contains not less than 4.5×10^9 viable spores/gm.

KEEP OUT OF REACH OF CHILDREN CAUTION

**SEE INSIDE LABEL BOOKLET FOR ADDITIONAL PRECAUTIONARY STATEMENTS
AND COMPLETE DIRECTIONS FOR USE**

Manufactured by:
In2Care BV
Marijkeweg 22, 6709 PG,
Wageningen,
The Netherlands

EPA Reg. No.: 91720-1
EPA Est. No.: XXXXX-XX-XXX

[Net Weight: 12.5 g (0.44 [oz.][ounce])
25 packages x 0.5 g each (0.018 [oz.][ounce])
25 g (0.88 [oz.][ounce])
50 packages x 0.5 g each (0.018 [oz.][ounce])
50 g (1.76 [oz.][ounces])
100 packages x 0.5g each (0.018 [oz.][ounce])]

FIRST AID	
If Inhaled	Move person to fresh air. If person is not breathing, call 911 or an ambulance, then give artificial respiration, preferably by mouth-to-mouth, if possible. Call a poison control center or doctor for further treatment advice.
If Swallowed	Call a poison control center or doctor immediately for treatment advice. Have a person sip a glass of water if able to swallow. Do not induce vomiting unless told to do so by the poison control center or doctor. Do not give anything by mouth to an unconscious person.
If on Skin	Take off contaminated clothing. Rinse skin immediately with plenty of water for 15-20 minutes. Call a poison control center or doctor for treatment advice.
If in Eyes	Hold eye open and rinse slowly and gently with water for 15-20 minutes. Remove contact lenses, if present, after the first 5 minutes, then continue rinsing eye. Call a poison control center or doctor for treatment advice.
HOT LINE NUMBER	
Have the product container or label with you when calling a poison control center or doctor or going for treatment. For non-emergency general information on this pesticide product (including health concerns or pesticide incidents), call the poison control center at 1-800-222-1222 after 12:00 P.M. PST on weekdays and during the weekend.	

PRECAUTIONARY STATEMENTS

HAZARD TO HUMAN AND DOMESTIC ANIMALS

Harmful if inhaled, swallowed, or absorbed through skin. Causes moderate eye irritation. Avoid breathing dust. Avoid contact with skin, eyes or clothing. Wash hands thoroughly with soap and water after handling and before eating, drinking, chewing gum, using tobacco or using the toilet. Repeated exposure to high concentrations of microbial proteins can cause allergic sensitization. Prolonged or frequently repeated skin contact may cause allergic reactions in some individuals. Remove and wash contaminated clothing before reuse. Obtain medical attention if irritation persists. Avoid contamination of food or feedstuffs.

PERSONAL PROTECTIVE EQUIPMENT (PPE)

All applicators and handlers must wear:

- Long-sleeved shirt and long pants;
- Waterproof gloves; and
- Shoes plus socks
- In addition, all applicators and handlers must wear a NIOSH-approved particulate respirator with any N, R, or P filter (NIOSH approval number prefix TC-84A); or a NIOSH-approved powered air purifying respirator with an HE filter (NIOSH approval number prefix TC-21C).

Follow the manufacturer's instructions for cleaning/maintaining PPE. If no such instructions for washables exist, use detergent and hot water. Keep and wash PPE separately from other laundry.

USER SAFETY RECOMMENDATIONS

Users should:

- Wash hands before eating, drinking, chewing gum, using tobacco, or using the toilet.
- Remove clothing/PPE immediately if pesticide gets inside. Then wash thoroughly and put on clean clothing.
- Remove PPE immediately after handling this product. Wash the outside of gloves before removing. As soon as possible, wash thoroughly and change into clean clothing.

ENVIRONMENTAL HAZARDS

This product is toxic to fish and aquatic invertebrates. Do not apply directly to areas where surface water is present or to intertidal areas below the mean high water mark. Do not contaminate water by cleaning of equipment or disposal of equipment wash-waters. Application of this product is prohibited directly into sewers or drains, or to any area like a gutter where drainage to storm sewers, water bodies, or aquatic habitat can occur. Do not allow the product to enter any drain during or after application.

This product is highly toxic and may be pathogenic to bees exposed to direct treatment on blooming crops or weeds. Do not apply this product or allow it to drift to blooming crops or weeds while bees are actively visiting the treatment area.

DIRECTIONS FOR USE

It is a violation of Federal law to use this product in a manner inconsistent with its labeling.

READ ALL LABEL DIRECTIONS COMPLETELY BEFORE USE.

SHAKE In2Mix® PACKAGE BEFORE USE.

FOR OUTDOOR USE ONLY.

DO NOT allow people or pets to contact the pesticide.

HOW IT WORKS


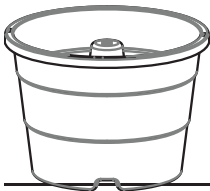
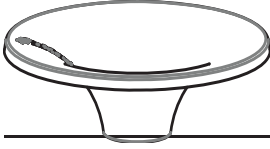
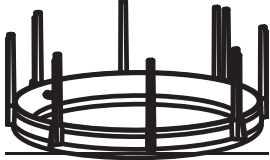

In2Mix® powder contains a growth regulator and slow acting adulticide.

The growth regulator kills the *Aedes* spp. larvae that emerge from eggs laid inside the trap prior to transforming into adults. This means that it is normal to see small living larvae in the trap that will eventually die.

After laying eggs, the adult *Aedes* spp. mosquito is contaminated with the **In2Mix®** powder. When they fly out of the trap to lay more eggs elsewhere, they disseminate the growth regulator and kill larvae in breeding sites around the trap.

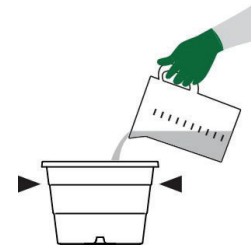
The adulticide contained in the **In2Mix®** powder slowly kills adult *Aedes* spp. mosquitoes. Contaminated mosquitoes will die within a few days following exposure to **In2Mix®** powder. Therefore, dead adult mosquitoes may not be found in the trap.

HOW TO ASSEMBLE

				
In2Mix® package	Base	Lid	Floater	Time indicator cap

STEP 1:

1. Fill the base of the trap with 5 quarts (4.7 liters) of clean tap water.



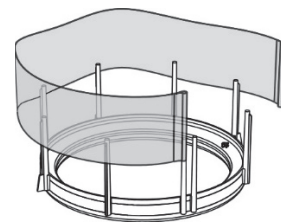
2. **SHAKE THE In2Mix® PACKAGE THOROUGHLY.** Open by tearing at the notches and gently take out the powder-coated gauze strip.



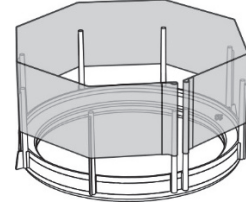
3. Empty the remaining contents (powder and odor tablets) of the **In2Mix®** package into the water in the base of the trap. Do not allow the gauze to get wet.

**STEP 2:**

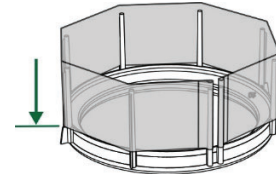
1. To attach the **In2Mix®** gauze strip to the floater, slide the loop at the end of the gauze over the pin as shown. Try not to touch the gauze extensively to avoid removal of the active powders.



2. Wrap the gauze around the floater and slide the other gauze loop on the last pin as shown. Work your way around moving the gauze down at each pin.

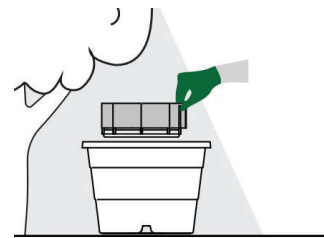


3. Push the gauze down the pins until it will go no further (where the bottom of the pin hits the circular rib). The rib will prevent the gauze from sliding down too far.

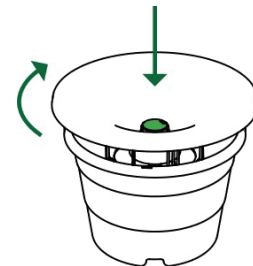


STEP 3:

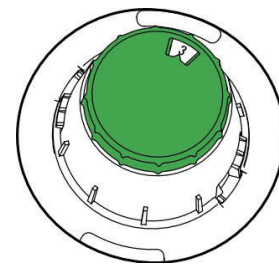
1. Place the assembled floater inside the base of the trap by gently placing it over the central tube flat onto the water. Do not allow the gauze to get wet as water will degrade the powder.



2. Place the lid on the central tube, push it down and turn it clockwise.



3. Turn the time indicator to the number of the current month as a service reminder. Use one **In2Mix**[®] package per trap every 4 weeks when adult mosquitoes are active.



WHERE TO PLACE

1. Place the water-filled **In2Care**[®] trap outside on the ground in a level, shaded location near human habitation. Avoid locations with direct sunlight; continuous shade is needed.



For best results, remove and/or empty artificial water containers (e.g., flower pots, plastic cups, car tires, etc.) and

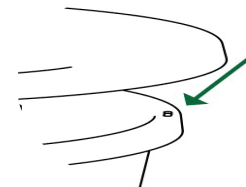
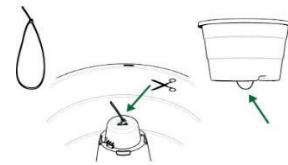
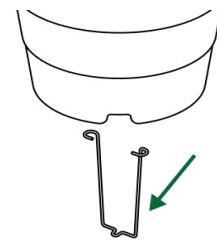
natural breeding sites (e.g., puddles, tree holes, etc.). Larger water bodies that cannot be removed or emptied should be (frequently) treated with appropriate mosquito larvicides.

2. For optimal coverage, place at least 1 **In2Care**[®] trap every 4,300 sq. feet (400 sq. meters), or at least 10 traps per acre in areas where *Aedes* mosquitoes breeding can be expected. Do not exceed 15 traps per acre.



3. When necessary, stability can be improved by securing the trap to the ground with the following:

- a. Wire bracket, available separately from the distributor, which snaps onto the base. The wire bracket can be screwed onto a surface or fixed with a ground pin.
- b. Zip tie (not included). Zip Tie spec: width: 4.8mm length: 600mm. The loop can be tied to a pin or hook.
- c. The base may also be attached to a pole, shrub or tree by using zip ties or a small rope tied through the holes in the rim of the base.

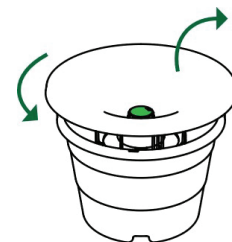


NOTE: *Aedes* spp. mosquitoes can have very specific breeding preferences within certain locations. Check for the presence of live and dead mosquito larvae inside the traps every 4 weeks. When a trap continuously has zero or much fewer larvae when compared to other nearby traps, the unattractive trap should be relocated to another nearby shaded location.

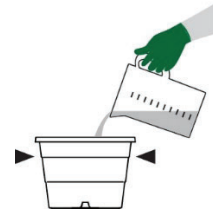
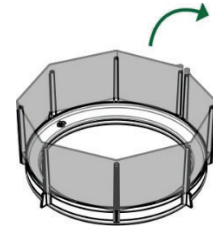
MAINTAINING THE TRAP

1. Re-visit each **In2Care**[®] trap every 4 weeks. Remove the lid by turning it counterclockwise until it stops and lift up.

NOTE: In hot and dry climates the water level must be checked more frequently. Add water as necessary to maintain the correct amount (5 quarts; 4.7 liters) in the base of the trap.



2. Take out the floater and dispose of the used gauze and water as indicated in the **STORAGE AND DISPOSAL** section of this label.
3. Remove leaves or other debris that may have fallen into the base of the trap. Refill the trap with 5 quarts (4.7 liters) of clean tap water.
4. Take a new In2Mix® package and repeat **Steps 1 & 2** in **HOW TO ASSEMBLE**.



STORAGE AND DISPOSAL

Do not contaminate water, food, or feed by storage or disposal.

PESTICIDE STORAGE: Keep this product in its tightly closed original container when not in use. Store in a cool, dry, well-ventilated area that is inaccessible to children and animals. For optimal long-term storage, do not store above 73° F (23° C). Store this product in a place away from strong bases, strong acids, sources of ignition and direct sunlight.

During transport and field use, keep In2Mix® packages below 110° F (43° C) at all times by avoiding sunlight and heat, and using isolation packaging.

PESTICIDE DISPOSAL: Dispose of used gauze in a sanitary landfill, or by other procedures approved by state and local authorities. Dispose of used water with attractants by pouring out of In2Care® trap onto the ground, and not near a water source. Prevent entry of used water into sewers, gutters, or drains, or any area where drainage to storm sewers, water bodies, or aquatic habitat can occur. Notify authorities if liquid enters sewers or public waters.

CONTAINER HANDLING: Completely empty In2Mix® package into the In2Care® trap by shaking and tapping sides and bottom to loosen clinging particles. When completely empty, dispose of empty package in trash or by other procedures approved by state and local authorities.

NOTICE: Buyer and user assume all risks and liability of use, storage and/or handling of this product not in accordance with the terms of this label.

Individual package labeling –

PYRIPROXYFEN	GROUP	7C	INSECTICIDE
<i>Beauveria bassiana</i> Strain GHA	GROUP	UN	INSECTICIDE

In2Mix®

For Use In The In2Care® Trap

SHAKE WELL BEFORE USE

Active Ingredients:	% w/w
Pyriproxyfen (CAS No. 95737-68-1).....	74.03%
<i>Beauveria bassiana</i> strain GHA* (CAS No. 63428-82-0).....	10.00%
Other Ingredients:	<u>15.97%</u>
Total	100.00%

* Contains not less than 4.5 X 10⁹ viable spores/gm.

KEEP OUT OF REACH OF CHILDREN

CAUTION

SEE LABEL BOOKLET FOR ADDITIONAL PRECAUTIONARY STATEMENTS
AND COMPLETE DIRECTIONS FOR USE

Manufactured by:
In2Care BV
Marijkeweg 22, 6709 PG,
Wageningen,
The Netherlands

EPA Reg. No.: 91720-1
EPA Est. No.: XXXXX-XX-XXX

Net Weight: 0.5g (0.018 [oz.][ounce])

FIRST AID	
If Inhaled	Move person to fresh air. If person is not breathing, call 911 or an ambulance, then give artificial respiration, preferably by mouth-to-mouth, if possible. Call a poison control center or doctor for further treatment advice.
If Swallowed	Call a poison control center or doctor immediately for treatment advice. Have a person sip a glass of water if able to swallow. Do not induce vomiting unless told to do so by the poison control center or doctor. Do not give anything by mouth to an unconscious person.
If on Skin	Take off contaminated clothing. Rinse skin immediately with plenty of water for 15-20 minutes. Call a poison control center or doctor for treatment advice.
If in Eyes	Hold eye open and rinse slowly and gently with water for 15-20 minutes. Remove contact lenses, if present, after the first 5 minutes, then continue rinsing eye. Call a poison control center or doctor for treatment advice.
HOT LINE NUMBER	
Have the product container or label with you when calling a poison control center or doctor or going for treatment. For non-emergency general information on this pesticide product (including health concerns or pesticide incidents), call the poison control center at 1-800-222-1222 after 12:00 P.M. PST on weekdays and during the weekend.	

PRECAUTIONARY STATEMENTS

HAZARD TO HUMAN AND DOMESTIC ANIMALS

Harmful if inhaled, swallowed, or absorbed through skin. Causes moderate eye irritation. Avoid breathing dust. Avoid contact with skin, eyes or clothing. Wash hands thoroughly with soap and water after handling and before eating, drinking, chewing gum, using tobacco or using the toilet. Repeated exposure to high concentrations of microbial proteins can cause allergic sensitization. Prolonged or frequently repeated skin contact may cause allergic reactions in some individuals. Remove and wash contaminated clothing before reuse. Obtain medical attention if irritation persists. Avoid contamination of food or feedstuffs.

STORAGE AND DISPOSAL

Do not contaminate water, food, or feed by storage or disposal.

PESTICIDE STORAGE: Keep this product in its tightly closed original container when not in use. Store in a cool, dry, well-ventilated area that is inaccessible to children and animals. For optimal long-term storage, do not store above 73° F (23° C). Store this product in a place away from strong bases, strong acids, sources of ignition and direct sunlight.

During transport and field use, keep **In2Mix**® packages below 110° F (43° C) at all times by avoiding sunlight and heat, and using isolation packaging.

PESTICIDE DISPOSAL: Dispose of used gauze in a sanitary landfill, or by other procedures approved by state and local authorities. Dispose of used water with attractants by pouring out of **In2Care**® trap onto the ground, and not near a water source. Prevent entry of used water into sewers, gutters, or drains, or any area where drainage to storm sewers, water bodies, or aquatic habitat can occur. Notify authorities if liquid enters sewers or public waters.

CONTAINER HANDLING: Completely empty **In2Mix**® package into the **In2Care**® trap by shaking and tapping sides and bottom to loosen clinging particles. When completely empty, dispose of empty package in trash or by other procedures approved by state and local authorities.