

73766-2

7/10/2012

1/13



UNITED STATES ENVIRONMENTAL PROTECTION AGENCY
WASHINGTON D C 20460

OFFICE OF CHEMICAL SAFETY
AND POLLUTION PREVENTION

JUL 10 2012

Jeanette Covert
Innovative Pest Control Products
P O Box 1683
Voorhees NJ 08043 9998

Subject Notification for Alternate Brand Name Green Way Liquid Ant & Roach Bait
Gourmet Liquid Ant Bait
EPA Reg No 73766 2

Dear Ms Covert

The Agency is in receipt of your Application for Pesticide Notification under Pesticide Registration Notice (PRN) 98 10 dated May 7 2012 for the product **Gourmet Liquid Ant Bait (EPA Reg No 73766-2)** The Registration Division (RD) has conducted a review of this request for its applicability under PRN 98 10 and finds that the action(s) requested fall within the scope of PRN 98 10

If you have any questions please call me directly at 703 305 0120

Sincerely

A handwritten signature in black ink, appearing to read "Mark Suarez", with a stylized flourish.

Mark Suarez
Product Manager Team 13
Registration Division (7505P)
Office of Pesticide Programs



United States
Environmental Protection Agency
 Washington DC 20460

Registration
 Amendment
 Other

OPP Identifier Number

Application for Pesticide - Section I

1 Company/Product Number Innovative Pest Control Products/ 73766 2		2 EPA Product Manager Mark Suarez		3 Proposed Classification <input checked="" type="checkbox"/> None <input type="checkbox"/> Restricted	
4 Company/Product (Name) Gourmet Liquid Ant Bait		PM# 13			
5 Name and Address of Applicant (Include ZIP Code) Innovative Pest Control Products c/o Product & Regulatory Associates P O Box 1683 Voorhees NJ 08043 9998 <input type="checkbox"/> Check if this is a new address			6 Expedited Review In accordance with FIFRA Section 3(c)(3) (b)(i) my product is similar or identical to the registration and labeling to EPA Reg No <u>JUL 18 2012</u> Product Name _____		

Section II

<input type="checkbox"/> Amendment Explain below	<input type="checkbox"/> Final printed labels in response to Agency letter dated _____
<input type="checkbox"/> Resubmission in response to Agency letter dated _____	<input type="checkbox"/> Me Too Application
<input checked="" type="checkbox"/> Notification Explain below	<input type="checkbox"/> Other Explain below

Explanation Use additional page(s) if necessary (For section I and Section II)

Notification alternate brand name Green Way Liquid Ant & Roach Bait as identified in cover letter per PR Notice 98 10 This notification is consistent with the provisions of PR Notice 98 10 and EPA regulations at 40 CFR 152 46 and no other changes have been made to the labeling or the confidential statement of formula of this product I understand that it is a violation of 18 U S C Sec 1001 to willfully make any false statement to EPA I further understand that if this notification is not consistent with the terms of PR Notice 98 10 and 40 CFR 152 46 this product may be in violation of FIFRA and I may be subject to enforcement action and penalties under sections 12 and 14 of FIFRA

Section - III

1 Material This Product Will Be Packaged In						2 Type of Container	
Child Resistant Packaging <input type="checkbox"/> Yes <input type="checkbox"/> No	Unit Packaging <input type="checkbox"/> Yes <input type="checkbox"/> No	Water Soluble Packaging <input type="checkbox"/> Yes <input type="checkbox"/> No		Metal Plastic Glass Paper Other (Specify) _____			
* Certification must be submitted		If Yes Unit Packaging wgt	No per container				
3 Location of Net Contents Information <input type="checkbox"/> Label <input type="checkbox"/> Container		4 Size(s) Retail Container		5 Location of Label Directions <input type="checkbox"/>			
6 Manner in Which Label is Affixed to Product <input type="checkbox"/> Lithograph <input type="checkbox"/> Paper glued <input type="checkbox"/> Stenciled				<input type="checkbox"/> Other _____			

Section IV

1 Contact Point (Complete items directly below for identification of individual to be contacted if necessary to process this application)					
Name Jeanette A Covert		Title Authorized Representative Innovative Pest		Telephone No (include Area Code) 856 751 3432	
Certification I certify that the statements I have made on this form and all attachments thereto are true accurate and complete I acknowledge that any knowingly false or misleading statement may be punishable by fine or imprisonment or both under applicable law					6 Date Application Received (Stamp)
2 Signature <i>Jeanette A Covert</i>		3 Title Authorized Representative for Innovative Pest Control			
4 Typed Name Jeanette A Covert		5 Date 5 7-2012			

Product & Regulatory Associates, L.L.C.

May 7 2012

Ms Sherada Hobgood
Document Processing Desk (NOTIF)
Office of Pesticide Programs (7504P)
U S Environmental Protection Agency
Room S 4900 One Potomac Yard
2777 South Crystal Drive
Arlington VA 22202 4501

Subject Innovative Pest Control Products
Gourmet Liquid Ant Bait
EPA Reg No 73766 2
Notifications Additional Brand Name

Dear Ms Hobgood

As the authorized representative for Innovative Pest Control Products we are submitting a notification for Gourmet Liquid Ant Bait EPA Reg No 73766 2 for an additional brand name Green Way Liquid Ant & Roach Bait

To complete this notification application enclosed please find

- Application for Pesticide Notification
- Cover letter

I trust that this information will assist the Agency in its efforts to complete this notification If you have any question in regard to this mater feel free to contact me at (856) 751 3432 or jacouvert@comcast net

Sincerely



Jeanette Covert
Product & Regulatory Associates LLC
Authorized Representative of Innovative Pest Control Products

JUL 10 2012

4/13

-MASTER LABEL-

(Optional Non food related Logo or Image)

Gourmet Liquid Ant Bait

(Alternate Name) [Green Way Liquid Ant and Roach Killer]

(Alternate Name) [Green Way Liquid Ant Killing Bait]

(Alternate Name) [Green Way Liquid Ant [and/&] Roach Killing Bait]

(Alternate Name) [Green Way Liquid Ant [and/&] Roach Bait]

(Optional) [In (or with) Antopia® Bait Station]

[Honeydew¹ Formula

Honeydew refers to the excretions of plant sucking insects that may be used as food by ants] [optional]

No Mess [Optional]

Use [Indoors] or Outdoors [Optional]

No Sprays [Optional]

(Non Agricultural Uses)

Kills [Roaches and &] Sweet [and &] Protein Feeding Ants except Fire [and &] Harvester Ants

Controls Carpenter [and &] Argentine Ants

Kills Roaches and Common Household Ants Including Argentine and Carpenter Ants

(Agricultural Uses)

Kills Sweet [and &] Protein Feeding Ants except Fire [and &] Harvester Ants

Use to Control Argentine Ants In

Avocado Berries Cherimoya and other Subtropical fruits Citrus Cranberry Grapes Pome Fruit Stone Fruit

Strawberry and Tree Nuts

Active Ingredient

Disodium octaborate tetrahydrate 1 0%

Other Ingredients 99 0%

Total **100 0%**

KEEP OUT OF REACH OF CHILDREN

CAUTION

Net Contents 2 5 gallons (Ag Uses) 1 gallon (Non Ag uses) 275 Gallons

0 75 fluid oz (22 2 ml) 32 fluid oz

7 to 14 fluid oz (Antopia®)

Manufactured For

Innovative Pest Control Products

8885 SW 7th Street

Boca Raton FL 33433 USA

8/13

July 9 2012 Notification

EPA Reg No 73766 2
EPA Est No 81944 GA 001 or 41580 FL 001 or 81184 FL 001
(insert #)[Ant & Roach Cafe RTU or Antopia®] Prefilled [Ready to Use] Bait Stations
US Patent No s 6502348 6871444 7310908 and 7937886 (Optional)

PRECAUTIONARY STATEMENTS

Hazards to Humans and Domestic Animals

CAUTION

ENVIRONMENTAL HAZARDS

Do not apply directly to water Do not contaminate water when disposing of equipment wash waters or rinsate

[The use of any pesticide in a manner that may kill or otherwise harm an endangered species or adversely modify their habitat is a violation of Federal law]

DIRECTIONS FOR USE [NON AGRICULTURAL USES]

It is a violation of Federal law to use this product in a manner inconsistent with its labeling

Do not contaminate food feed or foodstuffs

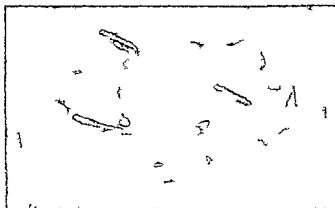
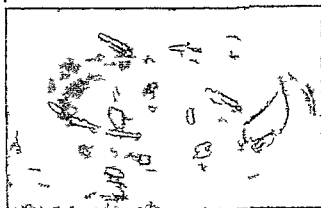
Place baits in areas inaccessible to children and pets

To kill ants and roaches use [indoors or outdoors] near homes apartments condominiums schools hospitals restaurants grocery stores food processing plants (nonfood areas) [boats cruise ships] institutional and commercial buildings nursing homes hotels and warehouses

Gourmet Liquid Ant Bait may be used at full strength diluted with distilled water or other water based food grade liquid 1 1 to make bait containing 0 5%active ingredient Bait may be used in Ant Cafe Ant Cafe Outdoor Snap Open Bait Station Antopia® Bait Stations KM AntPro Bait Stations or other similar stations that are sold separately

[Ant & Roach Cafe RTU Bait Station Instructions 1 To activate Ant & Roach Cafe RTU Bait Station place station on a flat surface with the cone facing up If cone is filled with liquid move station from side to side rapidly and liquid will leave the cone 2 With a scissor cut the top of the cone so that the top of the remaining cone is level with top of surrounding circular surface 3 Place bait station according to label directions] optional]

(Optional illustrations of bait station activation)Place the bait station on or near ant activity [Place stations under food cabinets sinks stoves refrigerators food storage areas attics garages basements storage areas closets Place on exterior windowsills and in doorways to help prevent entry of ants Some bait stations may be designed to be affixed to a wall hung on pipes or branches anchored in the ground or placed on a flat surface] When using bait stations wash hands thoroughly before handling to remove any odors that may be repellent to ants i e tobacco garlic and chemical cleaners



[[optional]]

July 9 2012 Notification

[OPEN PLACEMENT METHOD NOT TO BE USED IN CALIFORNIA

Gourmet Liquid Ant Bait can be used to make small pea sized placements and or long thin lines in areas inaccessible to children and pets where ants are a problem] Optional

Outdoors For best results place stations in shaded areas or create shade for the bait station Avoid placing bait station where it will receive direct sunlight whenever possible

[ANTOPIA BAIT STATIONS

- Keeps the bait contained and away from children pets and off of the ground
- Protects the bait from rain sun damage and contamination
- Provides control measures to ants outdoor where most ants nest
- Use Feeding Float Technology to keep dying ants from contaminating the bait
- Ant control outdoors 24 hours per day 7 days a week] optional

[Placeholder pictogram with the follow text for labeled diagram of the bait station

Spiral Anchor Entryway with re sealable closure Entry Tube Refill Port Locking closure on refill port Bait reservoir spiral ramp to access bait in reservoir at varying levels]

[Placeholder pictogram showing ants entering following the entry tube entering the reservoir exiting the reservoir and exiting the station]

[Outdoors [Ant Cafe Outdoor Bait Station or Antopia® Bait Station] –

- For use around Structures The number of bait Stations to use will vary with the type of ant and the size of the colony
- If spill resistance is desired fill station to approximately 8 fluid ounces If spill resistance is not critical fill bait station to top of bait chamber approximately 14 to 16 fluid ounces of bait
- For initial placement Place one bait station every fifty feet around the structure to be treated
- If any of the bait stations is emptied in less than a week double the initial placement Replace baits as needed till feeding activity ceases] [optional]
- The preparations below will help to prevent damage to the bait station

To activate and place the station

- 1 Loosen the soil in the spot where you are going to place the station to width of about 3 and a depth of about 7 with a garden trowel or small shovel
- 2 Place the anchor into the soil with a clockwise turning motion until the entryway is level with the soil If you encounter difficulty in seating the bait station properly remove it and loosen the soil more thoroughly then repeat the anchoring process
- 3 Alternatively dig a small hole to a depth of 7 place the station in the hole so that the entryway is level with the adjacent ground and replace the soil] [optional]

[[Ant Cafe Outdoor Bait Station or Antopia® Bait Station] may be refilled with Gourmet Liquid Ant Bait and reused when useful life is over dispose of bait station as directed below] [Optional]]

[Placeholder Optional labeled Antopia diagram showing ants path to bait]

Listed ants are attracted to and will feed on Gourmet liquid Ant Bait until they die The bait is designed to work slowly and sufficient bait should be made available for at least 14 days of continuous feeding Replace the bait with fresh bait as needed

July 9 2012 Notification

Do not use sprays foggers or any repellent chemicals or cleaners near the bait containers or placements This may contaminate the bait and disrupt ant foraging causing the insects to cease feeding



[[optional]]

To reuse Antopia® Bait Station

If less than six months from first use remove cap on top and add bait of the same type being used
If more than 6 months since first use or last cleaning empty bait station completely dispose of uneaten bait in accordance with label directions fill bait station with mild bleach solution (1% Chlorine) and allow to sit at least 1 hour empty bait station and dispose of rinsate properly rinse bait stations several times with water or mild soap and water solution empty station dispose of rinsate properly and allow station to dry Replace lower seal if station is to be transported filled Add bait through top fill port to either 7 or 14 fluid ounce level replace fill port cap and place station as directed on label

ONE TIME USE BAIT STATION

STORAGE AND DISPOSAL

Do not contaminate water food or feed by storage or disposal of this product

Storage Store product in original container in a cool dry place out of reach of children Do not allow product to freeze

Pesticide Disposal and Container Handling If empty Do not reuse this container Place in trash or offer for recycling if available If partly filled Call your local solid waste agency for disposal instructions Never place unused product down any indoor or outdoor drain

BOTTLE CONCENTRATE

STORAGE AND DISPOSAL

Do not contaminate water food or feed by storage or disposal of this product

Pesticide Storage Store product in original container in a cool dry place out of reach of children Do not allow product to freeze

Pesticide Disposal and Container Handling Nonrefillable container Do not reuse or refill this container If empty Place in trash or offer for recycling if available If partly filled Call your local solid waste agency for disposal instructions Never place unused product down any indoor or outdoor drain

8/13

July 9 2012 Notification

REUSABLE BAIT STATION

STORAGE AND DISPOSAL

Do not contaminate water food or feed by storage or disposal of this product

Pesticide Storage Store product in original container in a cool dry place out of reach of children Do not allow product to freeze

Pesticide Disposal and Container Handling Nonrefillable container Do not reuse or refill this container except as described in the Directions for Use If empty When useful life of bait station is over place in trash or offer for recycling if available If partly filled Call your local solid waste agency for disposal instructions Never place unused product down any indoor or outdoor drain

Lot #

[Notice

By using this product user or buyer accepts the following Conditions Disclaimer of Warranties To the extent consistent with applicable law IPCP makes no other warranties express or implied of merchantability or of fitness for a particular purpose or otherwise that extend beyond the statements made on this label No agent of IPCP is authorized to make any warranties beyond those contained herein or to modify the warranties contained herein To the extent consistent with applicable law IPCP disclaims any liability whatsoever for special incidental or consequential damages resulting from the use or handling of this product] Optional

Optional Marketing Claims that may be on the label

Call the COMBAT® HELPLINE at 1 800 426 6228 for information

Made in USA

Prefilled Ready to Use

GUARANTEED TO WORK OR YOUR MONEY BACK!

For multi pack configurations

[Ant & Roach Cafe RTU Bait Stations Ant Cafe Outdoor Bait Stations or Antopia® Bait Stations] ARE NOT FOR INDIVIDUAL SALE

[Pictogram placeholder for Snap together Bait Station and activation directions

Snap (Snap open bait station) Operating instructions

Station consists of 2 pieces the pre filled bait cartridge and the cradle

To activate

- 1 Slide bait cartridge towards open end of cradle until the top edge of the cartridge disengages from the track on the cradle
- 2 Deflect the front end of the top of the bait cartridge upwards until the cartridge snaps open to reveal the entry to the station
- 3 Continue to deflect the front of the bait station top 180 so that the deflected portion of the station fits flat against the top of the cartridge
- 4 Slide the cartridge forward in the cradle so that the tracks on the cradle trap the deflected portion of the station in an opened position
- 5 Continue to push the cartridge forward until it is stopped by the front of the cradle
- 6 Place according to placement directions on the label

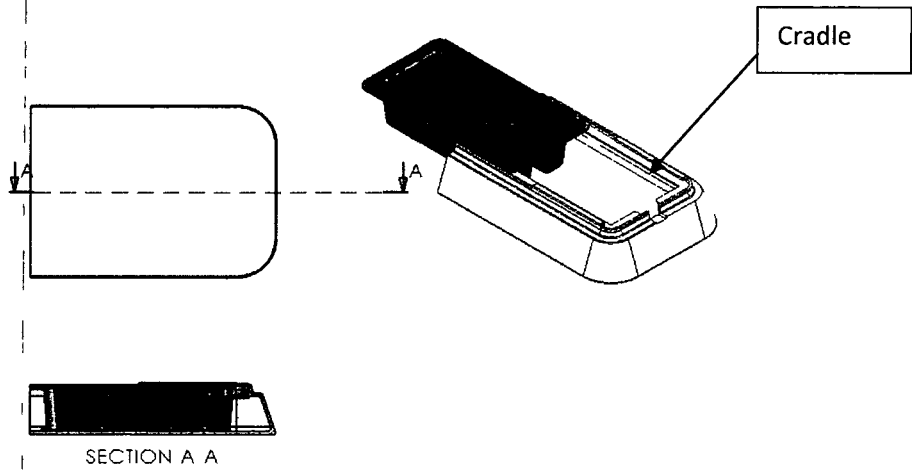
Illustration (place holder)

Prefilled Bait Cartridge



9/13

July 9 2012 Notification

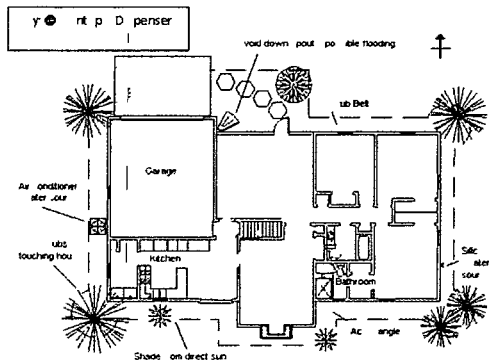


OPTIONAL]

For Indoor & Outdoor Use [Optional]
 Pre filled Ready to Use [Optional]
 Kills Roaches [Optional]

Pictogram placeholder for Ants and/or Roaches [optional]

[Placeholder optional for placement of diagram showing sample placement of stations around the structure]



[Optional]

10/13

July 9 2012 Notification

[Optional]**Gourmet Liquid Ant Bait**
Unit Package Labels

Gourmet Liquid Ant Bait

Active Ingredient

Disodium Octaborate Tetrahydrate	1 00%
Other Ingredients	<u>99 00%</u>
Total	100 00%

KEEP OUT OF REACH OF CHILDREN
CAUTION

Manufactured For Innovative Pest Control Products
EPA Reg No 73766 2
EPA Est No 81184 FL 001

Contents 0.75 fluid oz (22.2ml) See accompanying package label for additional directions and precautions
Lot #

Gourmet Liquid Ant Bait

Active Ingredient

Disodium Octaborate Tetrahydrate	1 00%
Other Ingredients	<u>99 00%</u>
Total	100 00%

KEEP OUT OF REACH OF CHILDREN
CAUTION

Manufactured For Innovative Pest Control Products
EPA Reg No 73766 2
EPA Est No 41580 FL 001 (or 81944 GA 001)

Contents 7 to 14 fluid oz See accompanying package label for additional directions and precautions
Lot #

11/13

July 9 2012 Notification

DIRECTIONS FOR USE AGRICULTURAL USES

It is a violation of Federal law to use this product in a manner inconsistent with its labeling

PERSONAL PROTECTIVE EQUIPMENT (PPE)

Applicators and other handlers must wear
Long sleeved shirt and long pants
Chemical resistant or waterproof gloves
Shoes plus socks

User Safety Recommendations

Users should
Wash hands before eating drinking chewing gum using tobacco or using the toilet
Remove clothing immediately if pesticide gets inside Then wash thoroughly and put on clean clothing
Remove PPE immediately after handling this product Wash the outside of gloves before removing As soon as possible wash thoroughly and change into clean clothing

Agricultural Use Requirements

Use this product only in accordance with its labeling and with the Worker Protection Standard 40 CFR part 170 This standard contains requirements for the protection of agricultural workers on farms forests nurseries and greenhouses and handlers of agricultural pesticides It contains requirements for training decontamination notification and emergency assistance It also contains specific instructions and exceptions pertaining to the statement on this label about personal protective equipment (PPE) notification to workers and restricted entry interval The requirements in this box apply to uses of this product that are covered by the Worker Protection Standard

To kill sweet and protein feeding ants use Gourmet Liquid Ant Bait in conjunction with bait stations that are designed for ant control and meet EPA Chemsac criteria such as KM AntPro Baiting System and Ant Cafe or Antopia® Bait Stations Follow filling instructions accompanying individual bait stations

It is recommended that Gourmet Liquid Ant Bait initially be used at full strength If it appears that the ants are not readily accepting the bait the bait may be made more attractive by dilution with water or other food grade liquid 1 1 to make bait containing 0.5% active ingredient It does not affect distribution of stations or gallons per acre

[[Ant Cafe Outdoor Bait Station or Antopia® Bait Stations] – The preparations below will help to prevent damage to the bait station

To activate and place the station

- 1 Loosen the soil in the spot where you are going to place the station to width of about 3 and a depth of about 7 with a garden trowel or small shovel
- 2 Twist off the lever at the end of the entry tube to expose the bait station entry
- 3 Place the anchor into the soil with a clockwise turning motion until the entryway is level with the soil If you encounter difficulty in seating the bait station properly remove it and loosen the soil more thoroughly then repeat the anchoring process
- 4 Alternatively dig a small hole to a depth of 7 place the station in the hole so that the entryway is level with the adjacent ground and replace the soil] [optional]

12/13

July 9 2012 Notification

INSTRUCTIONS FOR PLACEMENT AND FILLING OF BAIT STATIONS OR OTHER DELIVERY SYSTEMS

For best results place stations in shaded areas or create shade for the bait station. Avoid placing bait station where it will receive direct sunlight whenever possible.

Place a sufficient number of bait stations per acre so that a continuous supply of bait can be maintained during the treatment period. For initial placement use approximately 1 gallon/Acre (full strength or 1:1 ratio) for light populations, 2 gallons/Acre (full strength or 1:1 ratio) for medium populations and 3-4 gallons/Acre (full strength or 1:1 ratio) for heavy populations. The distribution and number of bait stations will vary based on the volume of bait in each station, crop, the time of year, and species of ant and service frequency. The amount of bait per station and the number of bait stations can be reduced as the ant population is reduced. Each situation must be evaluated individually in order to determine ideal bait station placement.

Place bait stations containing this product in areas where ant foraging is observed. Ants tend to follow natural lines in the environment, so use tree trunks, vines, watering lines, soil trunk interfaces and manmade rows as possible points at which to position bait stations. Between seasons, ant populations may migrate to areas where water is available. Try to place stations between these ant reservoirs and acreage being cultivated.

Ants are attracted to and will feed on Gourmet Liquid Ant Bait until they die. The bait is designed to work slowly and sufficient bait should be made available for at least 14 days of continuous feeding or until foraging terminates. Replace the bait with fresh bait as needed. When using bait stations, wash hands thoroughly before handling to remove any odors that may be repellent to ants, i.e. tobacco, garlic, strong chemicals, cleaners, etc.

RESTRICTIONS AND LIMITATIONS

None

STORAGE AND DISPOSAL

Do not contaminate water, food or feed by storage or disposal.

PESTICIDE STORAGE Store product in original container in a cool, dry place out of reach of children. Do not allow product to freeze.

PESTICIDE DISPOSAL Wastes resulting from the use of this product must be disposed of on site or at an approved waste disposal facility.

CONTAINER DISPOSAL Nonrefillable container. Do not reuse or refill this container. Offer for recycling, if available. Triple rinse container (or equivalent) promptly after emptying. **Triple rinse as follows:** Empty the remaining contents into application equipment or a mix tank and drain for 10 seconds after the flow begins to drip. Fill the container 1/4 full with water and recap. Shake for 10 seconds. Pour rinsate into application equipment or a mix tank or store rinsate for later use or disposal. Drain for 10 seconds after the flow begins to drip. Repeat this procedure two more times.

Once triple rinsed, offer for recycling, if available. If recycling is not available, puncture and dispose of in a sanitary landfill or incineration, or, if allowed by state and local ordinances, by burning. If burned, stay out of smoke.

Lot #

July 9 2012 Notification

[Notice

By using this product user or buyer accepts the following Conditions Disclaimer of Warranties To the extent consistent with applicable law IPCP makes no other warranties express or implied of merchantability or of fitness for a particular purpose or otherwise that extend beyond the statements made on this label No agent of IPCP is authorized to make any warranties beyond those contained herein or to modify the warranties contained herein To the extent consistent with applicable law IPCP disclaims any liability whatsoever for special incidental or consequential damages resulting from the use or handling of this product] Optional