

68543-35

7/30/2012

1/6

UNITED STATES ENVIRONMENTAL PROTECTION AGENCY  
WASHINGTON, D.C. 20460-0001



OFFICE OF CHEMICAL SAFETY  
AND POLLUTION PREVENTION

Mr. Jack Orman  
Bengal Products Inc.  
13739 Airline Highway  
Baton Rouge, LA 70817

JUL 30 2012

Subject: Amended Reregistration Label  
Product Name: Bengal Product 2007A  
EPA Registration Number: 68543-35  
EPA Decision Numbers: 427163

Dear Mr. Orman:

The Agency, in accordance with the Federal Insecticide, Fungicide and Rodenticide Act (FIFRA), as amended, has completed reviewing all of the information submitted with your application to support the reregistration of the above referenced product in connection with the Phenothrin RED, and has concluded that your submission is acceptable.

NOTE: This product is not being reregistered under sections 3(c)5 and 4(g) of FIFRA at this time.

Please be reminded that 40 CFR Part 156.140(a)(4) requires that a batch code, lot number, or other code identifying the batch of the pesticide distributed and sold be placed on non-refillable containers. The code may appear either on the label or durably marked on the container itself, and can be added by non-notification per PRN 98-10.

Please note that the record for this product currently contains the Confidential Statements of Formulation (CSFs) listed below. Any previously dated CSFs are superseded.

- Basic CSF and Alternate #1, both dated Sept 1, 2010


A copy of your label stamped "Accepted" is enclosed along with copies of the acute toxicity and product chemistry reviews completed for the subject product. Products shipped after 12 months from the date of this amendment or the next printing of the label whichever occurs first, must bear the new revised label. Your release for shipment of the product bearing the amended label constitutes acceptance of these conditions. If these conditions are not complied with, the registration will be subject to cancellation in accordance with FIFRA sec.

6(e)

If you have any questions about this letter, please contact Samantha Hulkower at 703-603-0683 or hulkower.samantha@epa.gov

Sincerely,



 Richard J Gebken  
Product Manager (10)  
Insecticide Branch  
Registration Division (7504P)

*Enclosures*    *Label stamped "Accepted," dated JUL 30 2012*  
*Acute Toxicity Review, dated July 22, 2011*  
*Product Chemistry Review, dated March 6, 2012*

# BENGAL PRODUCT 2007A

[Alternate Brand Name Flea & Tick Fogger II]

[.] indicates optional or alternate information

- No Mess • No Odor • Dry Fog
- No Messy (Sticky) Residue • Non-Staining • Odorless
- Reduces Heavy (Insect) Infestations
- Kills (Bugs) (Insects) Where They Live (Formulated)(for Use against) (to Control) Heavy (Flea) (Infestations) (Populations)
- Kills Bugs After You Leave (the) (Room) (House) (Area) Easy (and Convenient) (Use)
- Kills 16+ Types of Listed Insects

VALUE PACK

GUARANTEED TO WORK OR YOUR MONEY BACK

ACTIVE INGREDIENT

Phenothrin 2 0%

INERT INGREDIENTS 98 0%

TOTAL 100 0%

EPA REG NO 68543-35 EPA EST NO 58996-MO-1

### CAUTION

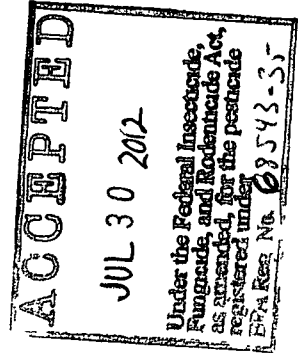
KEEP OUT OF REACH OF CHILDREN  
Read Label First Read All Sides of Box

Do not remove cans from carton except for immediate use

NET WT 3 - 2 7 oz CANS = 8 1 oz (229 6 g )

KILLS FLEAS, TICKS, ANTS, LICE, MOSQUITOES, FLIES, GNATS, SILVERFISH, CRICKETS, CLOTHES MOTHS, GRANARY WEEVILS, WHITEFLIES, AND EXPOSED INDIVIDUAL WASPS, HORNETS, BEES & YELLOW JACKETS

[One Fogger Can] Treats up to 6,000 cubic feet



### DIRECTIONS FOR USE

It is a violation of Federal Law to use this product in a manner inconsistent with its labeling Does not control bed bugs For use indoors in Apartments, Attics, Basements, Boats, Cabins, Closed Porches, Condominiums, Garages, Homes, Kitchens, Pet Sleeping Areas, and Rooms

**TO KILL TICKS, ANTS, LICE, MOSQUITOES, FLIES, GNATS, SILVERFISH, CRICKETS, CLOTHES MOTHS, GRANARY WEEVILS, WHITEFLIES, AND EXPOSED INDIVIDUAL HORNETS, WASPS, BEES & YELLOW JACKETS**

Use one canister for each 6,000 cu ft of unobstructed area (maximum)

Example 25 long x 24' wide x 10' high = 6,000 cu ft

### TO KILL FLEAS

Use one canister for each 3,000 cu ft of unobstructed area (maximum)

Example 20' long x 15' wide x 10' high = 3,000 cu ft

### GENERAL PRECAUTIONS DO NOT RE-ENTER FOR TWO (2) HOURS AFTER APPLICATION

Do not allow people or pets to enter treated areas until vapors, mists, and aerosols have dispersed, and the treated area has been thoroughly ventilated

Wait two (2) hours after application, then open windows, vents and doors for two hours If an odor is still detected, additional ventilation is required

Remove pets, birds, and cover fish aquariums and ornamental fish ponds before spraying, and turn aquarium systems off

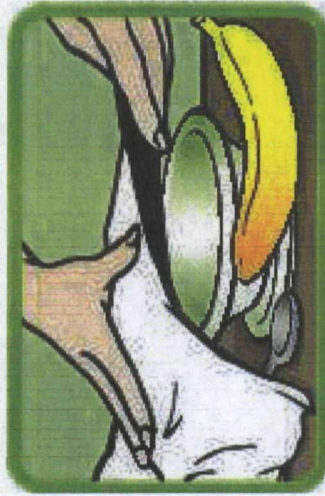
**TO USE THIS PRODUCT CORRECTLY** DO NOT use more than one fogger per room DO NOT use in small, enclosed spaces such as closets, cabinets or under counters or tables Do not use in a room 5 ft X 5 ft or smaller, instead, allow fog to enter from other rooms Use of a fogger in an enclosed space may cause the product to explode, resulting in injury to people or damage to property

Turn off ALL ignition sources such as pilot lights (shut off gas valves), other open flames or running electrical appliances that cycle off and on (i.e., refrigerators, thermostats, etc.) Call your gas utility or management company if you need assistance with your pilot lights





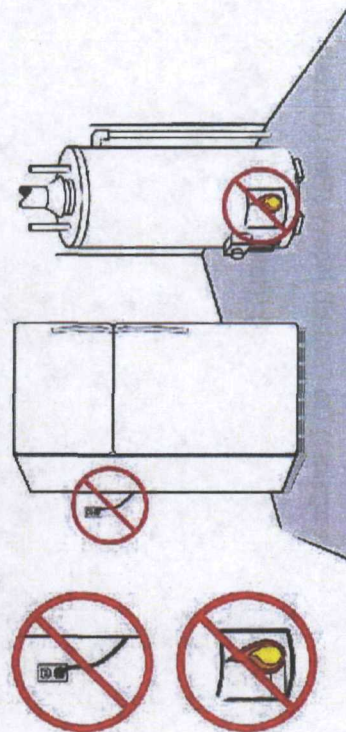
**BEFORE YOU FOG:** In the home, do not apply when food is present. Exposed food should be covered or removed. All food preparation surfaces and utensils should be covered during treatment or thoroughly washed before use.



Close exterior doors and windows. Shut off fans, air conditioners, and ventilation equipment. Place a chair, small table or stand in the center of the room to be treated and cover with newspaper. Cover wood floors and wood furniture in the immediate area around fogger with newspapers. Open cabinets, cupboards, drawers, closets and interior doors within the treatment area.

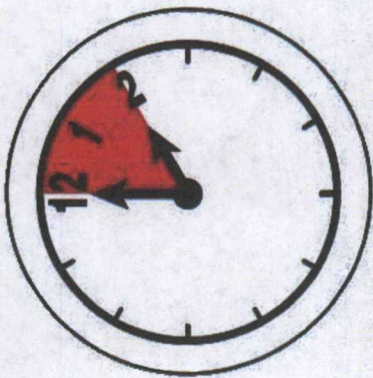
Fill out and place hang-tag on the door to the treated area to alert family and others with access to the treated area not to enter for 2 hours.

**TO START FOGGING:** Fogger should be placed on the floor in the middle of the room. Place newspapers under the can to prevent marring surfaces. To start fogging press down actuator tab to locked position. Keep it at arm's length when activating. Point top of can away from face and eyes. Set in upright position on the paper. **Vacate the treated house, individual**

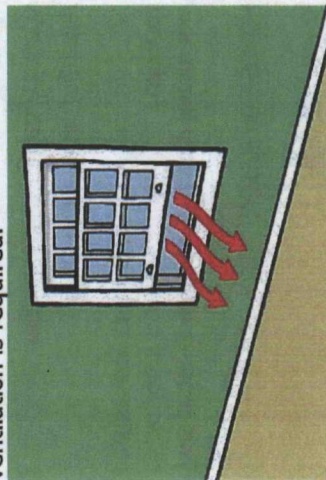




**apartment unit or other structure immediately. Do not reenter for 2 hours.**



**AIRING OUT:** Do not re-enter for two (2) hours after application, then open windows, vents and doors for 2 hours. If an odor is still detected, additional ventilation is required.



Have the product container or label with you when calling a poison control center or doctor, or going for treatment. You may also contact the National Poison Control Center at 1-800-222-1222 for emergency medical information.

### PHYSICAL OR CHEMICAL HAZARDS

Flammable. Contents under pressure. Do not use or store near heat or open flame. Do not puncture or incinerate container. Exposure to temperatures above 130° F may cause bursting. This product contains a highly flammable ingredient. It may cause a fire or explosion if not used properly. Follow the "Directions for Use" on this label very carefully.



Highly Flammable Ingredient  
Ingrediente Altamente Inflamable

### ENVIRONMENTAL HAZARDS

This product is toxic to fish and aquatic invertebrates. Do not apply directly to water, or to areas where surface water is present, or to inter-tidal areas below the mean high water mark. See Directions for Use for additional precautions and requirements.

Do not discharge effluent containing this product into lakes, streams, ponds, estuaries, oceans, or other waters unless in accordance with the requirements of a National Pollution Discharge Elimination System (NPDES) permit and the permitting authority has been notified in writing prior to discharge. Do not discharge effluent containing this product to sewer systems without previously notifying the local sewage treatment plant authority. For guidance, contact your State Water Board or Regional Office of the EPA.

### STORAGE AND DISPOSAL

Do not contaminate water, food, or feed by storage and disposal.

**Pesticide Storage:** Store in a cool, dry area. Always store pesticides in the original container. Store away from food and pet food.

**Pesticide Disposal and Container Handling :** Do not puncture or incinerate! Nonrefillable container. Do not reuse or refill this container. If empty: Place in trash or offer for recycling if available. If partly filled: Call your local solid waste agency for disposal instructions.

Manufactured for  
Bengal Products Inc.  
13739 Airline Highway  
Baton Rouge, LA 70817  
(225) 753-1313  
[www.bengal.com]

[UPC CODE]

[THIS LABEL WILL BE AVAILABLE IN SPANISH]

### Precautionary Statements Hazards to Humans and Domestic Animals

Harmful if swallowed. Avoid contact with skin, eyes or clothing. Breathing spray mist may be harmful. Wash thoroughly with soap and water after handling and before eating, drinking, chewing gum, or using tobacco. Remove and wash contaminated clothing before reuse.

### FIRST AID

**IF SWALLOWED:** Call a poison control center or doctor immediately for treatment advice. Do not induce vomiting unless told to by a poison control center or doctor. Do not give any liquid to the person. Do not give anything by mouth to an unconscious person.



# BENGAL PRODUCT 2007A

[Alternate Brand Name Flea & Tick Fogger II]

GUARANTEED TO WORK OR YOUR MONEY BACK

ACTIVE INGREDIENT	2.0%
Phenothrin	98.0%
INERT INGREDIENTS	100.0%
TOTAL	

EPA REG NO 68543-35 EPA EST NO 58996-MO-1

## CAUTION

KEEP OUT OF REACH OF CHILDREN

See outer carton for additional precautionary statements

NET WT 2.7 oz (76.5 g)

NOT TO BE SOLD INDIVIDUALLY

This product contains a highly flammable ingredient. It may cause a fire or explosion if not used properly. Follow the "Directions for Use" on the outer carton very carefully.



Highly Flammable Ingredient  
Ingrediente Altamente Inflamable

## DIRECTIONS FOR USE

It is a violation of Federal Law to use this product in a manner inconsistent with its labeling. See outer carton for specific directions.

## STORAGE AND DISPOSAL

Do not contaminate water, food, or feed by storage and disposal.  
**Pesticide Storage** Store in a cool, dry area. Always store pesticides in the original container. Store away from food and pet food.  
**Pesticide Disposal and Container Handling** Do not puncture or incinerate! Nonrefillable container. Do not reuse or refill this container. If empty, place in trash or offer for recycling if available. If partly filled, call your local solid waste agency for disposal instructions.

Manufactured for  
Bengal Products Inc  
13739 Airline Highway  
Baton Rouge, LA 70817  
(225) 753-1313  
www.bengal.com

[aerosol can label for multi packs -- page 4 only]