



U.S. ENVIRONMENTAL PROTECTION AGENCY
 Office of Pesticide Programs
 Antimicrobials Division (7510P)
 1200 Pennsylvania Ave., N.W.
 Washington, D.C. 20460

EPA Reg. Number:

67262-40

Date of Issuance:

1/29/16

NOTICE OF PESTICIDE:

Registration
 Reregistration
 (under FIFRA, as amended)

Term of Issuance:

Conditional

Name of Pesticide Product:

Granular Trichlor 29

Name and Address of Registrant (include ZIP Code):

Christina Griffin
 Agent for BioLab Inc./Recreational Water Products, Inc.
 Delta Analytical Corp.
 12510 Prosperity Drive, Suite 160
 Silver Spring MD 20904

Note: Changes in labeling differing in substance from that accepted in connection with this registration must be submitted to and accepted by the Antimicrobials Division prior to use of the label in commerce. In any correspondence on this product always refer to the above EPA registration number.

On the basis of information furnished by the registrant, the above named pesticide is hereby registered under the Federal Insecticide, Fungicide and Rodenticide Act.

Registration is in no way to be construed as an endorsement or recommendation of this product by the Agency. In order to protect health and the environment, the Administrator, on his motion, may at any time suspend or cancel the registration of a pesticide in accordance with the Act. The acceptance of any name in connection with the registration of a product under this Act is not to be construed as giving the registrant a right to exclusive use of the name or to its use if it has been covered by others.

This product is conditionally registered in accordance with FIFRA section 3(c)(7)(A). You must comply with the following conditions:

1. Submit and/or cite all data required for registration/reregistration/registration review of your product under FIFRA when the Agency requires all registrants of similar products to submit such data.

Signature of Approving Official:

Demson Fuller, Product Manager 32
 Regulatory management Branch II,
 Antimicrobials Division (7510P)

Date:

1/29/16

1. Be aware that proposed data requirements have been identified in a Work Plan or proposed DCI. For more information on these proposed data requirements, you may contact the Team Leader for PM Team 36: http://www.epa.gov/oppad001/contacts_ad.htm.
2. Make the following label changes before you release the product for shipment:
 - Revise the EPA Registration Number to read, "EPA Reg. No. 67262-40"
3. Submit one copy of the final printed label for the record before you release the product for shipment.

Should you wish to add/retain a reference to the company's website on your label, then please be aware that the website becomes labeling under the Federal Insecticide Fungicide and Rodenticide Act and is subject to review by the Agency. If the website is false or misleading, the product would be misbranded and unlawful to sell or distribute under FIFRA section 12(a)(1)(E). 40 CFR 156.10(a)(5) list examples of statements EPA may consider false or misleading. In addition, regardless of whether a website is referenced on your product's label, claims made on the website may not substantially differ from those claims approved through the registration process. Therefore, should the Agency find or if it is brought to our attention that a website contains false or misleading statements or claims substantially differing from the EPA approved registration, the website will be referred to the EPA's Office of Enforcement and Compliance.

If you fail to satisfy these data requirements, EPA will consider appropriate regulatory action including, among other things, cancellation under FIFRA section 6(e). Your release for shipment of the product constitutes acceptance of these conditions. A stamped copy of the label is enclosed for your records. Please also note that the record for this product currently contains the following CSFs:

- Basic CSF dated 07/21/2015
- Alternate CSF #1 dated 07/21/2015
- Alternate CSF #2 dated 07/21/2015
- Alternate CSF #3 dated 07/21/2015

If you have any questions, please contact Srinivas Gowda by phone at 703-308-6354, or via email at gowda.srinivas@epa.gov.

Sincerely,



Demson Fuller, Product Manager 32
Regulatory Management Branch II
Antimicrobials Division (7510P)
Office of Pesticide Programs

Enclosure: Stamped Label

{All text in brackets [xxx] is optional and may or may not be included on a final label.}
{All text in braces {xxx} is administrative and will not appear on a final label.}

Granular Trichlor 29

ACTIVE INGREDIENTS:

Trichloro-s-triazinetrione 49.00%

Copper sulfate pentahydrate *** 0.99%

OTHER INGREDIENTS 50.01%

TOTAL INGREDIENTS 100.00%

(Available Chlorine: 45%)

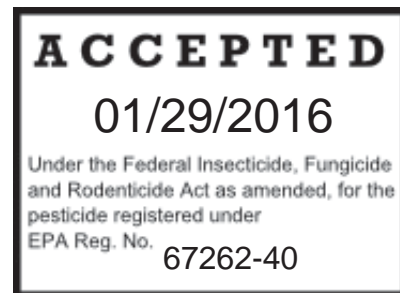
*** Metallic Copper: 0.25%

KEEP OUT OF REACH OF CHILDREN DANGER

See [back] [side] panel for First Aid and additional Precautionary Statements. {If First Aid appears on back or side panel}

See [back] [side] panel for additional Precautionary Statements. {If First Aid appears on front panel}

MANUFACTURED FOR:
RECREATIONAL WATER PRODUCTS
[AQUA CHEM DIVISION]
[PoolTime Division]
P.O. BOX 1449
BUFORD, GEORGIA 30515



Net [Weight] [Contents]: {as indicated on container}

EPA REG. NO. 67262-UN
EPA EST. NO. 5185-GA-1 [(BL)] {or} [(Z)]
7616-CA-1 [(C)]

{If multiple EPA Establishment Numbers appear on the label.}

[Actual establishment shown in code above or below label printed on [bottle] [container]]
[Letter designation in lot code printed above or below on [bottle] [container] identifies actual establishment.]

[Made in USA]

[NOTE: Any questions or comments about [brand name] products?] [In the continental U.S. call [phone number]]. Ask for your free pool care booklet.] [Questions or comments call [phone number]]
[[Questions?]] [Pool Care Tips?] [phone number]] [website]

{Multi-Functional Claims}

[Multi-purpose [pool shock] [formula] [pool cleaner] [shock] [Oxidizes] [Oxidizer] [algaecide][Kills Algae][Prevents Algae] [Controls Algae] [Kills Bacteria][organic contaminant remover**] [clarifier][enhances filtration] [pH Balanced] [softens water] [protects equipment†][equipment protector†][Prevents Scale†][Prevents Corrosion†][improves swimmer comfort]

[All-purpose [pool shock] [formula] [pool cleaner] [shock] [Oxidizes] [Oxidizer] [algaecide][Kills Algae][Prevents Algae] [Controls Algae] [Kills Bacteria][organic contaminant remover**] [clarifier][enhances filtration] [pH Balanced] [softens water] [protects equipment†][equipment protector†][Prevents Scale†][Prevents Corrosion†] [improves swimmer comfort]

[All-in-One [pool shock] [formula] [pool cleaner] [shock] [Oxidizes] [Oxidizer] [algaecide][Kills Algae][Prevents Algae] [Controls Algae] [Kills Bacteria][organic contaminant remover**] [clarifier][enhances filtration] [pH Balanced] [softens water] [protects equipment†][equipment protector†][Prevents Scale†][Prevents Corrosion†] [improves swimmer comfort]

[Multi-functional [pool shock] [formula] [pool cleaner] [shock] [Oxidizes] [Oxidizer] [algaecide][Kills Algae][Prevents Algae] [Controls Algae] [Kills Bacteria][organic contaminant remover**] [clarifier][enhances filtration] [pH Balanced] [softens water] [protects equipment†][equipment protector†][Prevents Scale†][Prevents Corrosion†] [improves swimmer comfort]

[2][3][4][5][6][7][8] – in [1][One] [Formula][pool shock] [pool cleaner] [shock] [Oxidizes] [Oxidizer] [algaecide][Kills Algae][Prevents Algae] [Controls Algae] [Kills Bacteria] [organic contaminant remover**] [clarifier] [pH Balanced] [enhances filtration][softens water] [protects equipment†][equipment protector†][Prevents Scale†][Prevents Corrosion†] [improves swimmer comfort]

[**[such as] [body & suntan oils] [body oils] [&] [suntan oils] [&] [sweat] [perspiration] [&] [lotions] [&] [urine]]

† Will only be used with alternate formula containing corrosion / scale inhibitor.

{Usage and Treatment Claims}

[For Pools]

[For Swimming Pool Use]

{Spanish statement directing Spanish speakers to obtain assistance before using product.

Translates in English to: “If you do not understand the (this) label, find someone to explain it to you in detail.”}

[Si usted no entiende la etiqueta, busque a alguien para que se lo explique a usted en detalle.]

[What?] *{For use on front panel of label as a header above/beside product name.}*

[Why?] *{For use on front panel of label as a header above/beside use claims chosen from accepted label text that relates to the consumer features and benefits of product.}*

[Do Not Mix With Any Other Product]

[Do Not Mix this Product with Calcium Hypochlorite, or Any Other Product]

[TO OPEN CUT ALONG DOTTED LINE WITH SCISSORS] *{Statement to appear in upper corner of child resistant bag, when product sold in bags.}*

[Can be used in salt pools] [Compatible with salt pools] *{Reader Notes: Salt pools generate hypochlorous acid using electrolysis from NaCl added to pool water.}*

[For use with all pool surfaces]
[For all pool surfaces including vinyl, plaster and fiberglass]
[For all pools, including vinyl, plaster and fiberglass]
[For all pool surfaces]
[[One] [1] lb treats 12,000 Gallons]
[For use with all filter & surface types]
[Easy open] {for 1lb bottle application}
[Easy pour] {for 1lb bottle application}
[No Scissors [Required] [Needed]] {for 1lb bottle application}
[Easy Open Easy Pour Bottle]
[Resealable. Reusable. Recyclable.] {for 1lb bottle application}
[Works Quickly to Allow Swimming in as Soon as 15 Minutes*]
[Dissolves Completely]
[Treats 12,000 Gallons] *{Only for use when sold in one pound bags or containers}*
[Won't Discolor Pool Surfaces#]
[# When Used as Directed]
[For use in vinyl, painted, fiberglass, or color plaster surface pools]
[Fast Dissolving Shock Treatment]
[Fast Dissolving]
[Suitable for All Pool Types] *{This statement alerts consumer to the fact they may use this product in above ground, in ground, indoor, outdoor, plaster, vinyl, fiberglass pools}*
[For Use In All Pool Types] *{This statement alerts consumer to the fact they may use this product in above ground, in ground, indoor, outdoor, plaster, vinyl, fiberglass pools}*
[No Need to Pre-Dissolve]
[Add Directly To Pool]
[One Bag Treats 12,000 Gallons] *{Only for use when sold in one pound bags}*
[One Bottle Treats 12,000 Gallons] *{Only for use when sold in one pound bottles}*
[Suitable for opening pools]
[Suitable for pool opening and winterization]
[Suitable for pool opening and closing]
[Treat and Swim In As Soon As 15 Minutes*]
[Treat and Swim in 15 [min] [minutes*]]
[Swim in 15 [min] [minutes*]]
[* Refer to the Re-entry statement on the back panel for further guidance.]

{Kills Algae and Bacteria Claims}

[With Blue Algae Fighting Crystals]
[Kills Bacteria]
[Kills Bacteria and Algae]
[Kills algae]
[Protects Against Algae]
[Guards Against Algae]
[Controls Algae]
[Kills all types of algae]
[Fights green, mustard and black algae]
[Treats visible algae]
[Kills [and] [prevents] [and] [controls] [green], [black], [and] [mustard] algae]
[Kills and controls all pool algae types]
[An all-purpose pool algacide]
[[Prevents] [Controls] all types of algae]
[Effective [kill] [and] [prevent] [controls] algae treatment]

[Controls [green] [mustard] [black] algae]
[Kills and Prevents Algae]
[Prevents algae]
[Algae Protection]
[Keeps water clear and free of visible [green] [mustard] [black] algae]
[Fast [green] [mustard] [black] algae control]
[[With] Algae –Killing Crystals]
[[Prevents] [Controls] Algae]
[[Prevents] [Controls] [Future] Algae [Growth]]
{Note: “Xtra” denotes product features in addition to being a swimming pool shock}
[[Xtra] Kills Bacteria]
[[Xtra] Kills Algae]
[[Xtra] Kills Bacteria and Algae]
[[Xtra] With Blue Algae Fighting Crystals]
[[Xtra] [[with] Algae-Killing Crystals]
[Fast dissolving], [multi-functional] shock with [Xtra] [extra] [added] algae-killing [strength]
[power] [ability] for clear pool water [that is free of visible algae]]
[Fast dissolving], [multi-functional] shock with [dual action] algae-killing [strength]
[power] [ability] for clear pool water [that is free of visible algae]]

{Organic Contaminant Claims}

[[Removes] [Eliminates] [Destroys] [Breaks down] organic contaminants** [for sparkling clear water]]
[[Removes] [Eliminates] [Destroys] [Breaks down] [organic contaminants**] [sunscreen] [pet dander] [fertilizer] [pollen] [skin oils] [lotions] [sweat] [urine] [pee]]
[[Controls] [Eliminates] [Destroys] [Breaks down] swimmer contaminants [such as] [including] [oils] [sweat] [lotion] [urine] [pee]]
[[Removes] [Eliminates] [Destroys] [Breaks down] organic contaminants**]
[Protects against [bacteria] [and] [algae] [and] [organic contaminants**] [for] [clean] [and] [clear] [water]]
[[Clears [cloudy] water] [&] [removes swimmer contaminants**]]
[Destroys Organic Contaminants**]
[**[such as] [body & suntan oils] [body oils] [&] [suntan oils] [&] [sweat] [perspiration] [&] [lotions] [&] [urine]]
[For Heavy Bather Loads]
[For Use After Heavy Rains]
[For Heavy Bather Loads or After Heavy Rains]

{Swimmer Comfort Claims}

[[Removes] [Eliminates] [Reduces] chlorine odor]
[[Removes] [Eliminates] [Reduces] pool odor]
[Effective against [chlorine] odor]
[Deodorizes your pool]
[Use to clean and deodorize]
[Creates [comfortable] [swim-ready] water]
[For a comfortable pool experience]
[Reduces chlorine odor]
[[Destroys] [Eliminates] [Removes] [Breaks down] eye irritating compounds in swimming pool water]

[[Destroys] [Eliminates] [Removes] [Breaks down] contaminants that [contribute to] [lead to] [cause] eye irritation]

{Water Clarity Claims}

[Shocks water clear]
[For [clean] [clear] water]
[[Prevents] [Eliminates] [Quickly] [Clears] [cloudy] [murky] [green] water]
[[Improves] [Enhances] filtration]
[Clarifier enhances filtration]
[Improves filter performance]
[Clears Cloudy Water]
[Quickly Clears Cloudy Water]
[Creates Sparkling Water]
[Provides Crystal Clear Water]
[Use Regularly for Sparkling Water]
[Restores Water Clarity]
[Clarifies water]
[Gathers debris for easy removal]
[Gathers debris for easy filtration]
[Contains a Filter Enhancer]
[Produces Sparkling Clean Swimming Pool Water]

{Clean Water Claims}

[Use for a shockingly [clean] [and] [clear] pool]
[Great for an extra touch of clean]
[An added touch of clean]
[Keeps water [clean] [and] [clear] during severe heat or rain]
[Cleans pool water after heavy use]
[Freshens pool water after heavy use]
[For extra clean water]
[For fresh, clear water]
[[Powers through] [fights] [eliminates] filth]
[Works quickly to restore pool water freshness & clarity]
[[Clears [cloudy] water] [&] [removes filth]]
[Keeps water clean]

{pH Balance Claims}

[pH balanced to protect [pool] equipment and surfaces]
[pH balanced to prevent corrosion and scale]
[pH balanced]
[pH Buffer]

{Scale/Corrosion Control Claims. Only for use with alternate formula containing corrosion / scale inhibitor.}

[With built in scale preventative and sunlight protector]
[With built in corrosion preventative and sunlight protector]
[With built-in scale preventative, water softener and sunlight protector]
[With built-in scale preventative, water softener]
[Helps prevent corrosion & metal staining]
[Reduces Scale Formation]

[Protects pool equipment for longer life]
[Gentle on equipment – prevents corrosion/metal staining]
[Protects equipment]
[Corrosion prevention]
[Helps prevent corrosion]
[Corrosion inhibitor]
[Protects Equipment]
[Equipment Protector]
[Prevents [corrosion] [&] [scale] [&] [metal staining]]
{Note: “Xtra” denotes product features in addition to being a swimming pool shock}
[[Xtra] Corrosion Prevention]
[[Xtra] Corrosion Inhibitor]
[[Xtra] Prevents Metal Staining]
[[Xtra] Reduces Scale Formation]
[[Xtra] Protects Equipment]
[[Xtra] Equipment Protection]
[[Xtra] Scale Prevention]
[[Xtra] Prevents Corrosion and Scale [Formation]]

{Water Softener Claims}

[Makes water silky smooth]
[Makes water soft and smooth]
[Softens Water]
[Water softening]
{Note: “Xtra” denotes product features in addition to being a swimming pool shock}
[Xtra] Softens Water]
[Xtra] Water Softener]
[Xtra] Makes Water Silky Smooth]

{Step Systems Claims}

[Easy 1 2 3 Pool Care Brand System]
[Step 3]
[Shock]
[Shock and Algaecide]
[Shock and Algicide]
[Step 3 and 4]
[Step 3 and Remedy]

{Winterization Claims}

{Optional marketing statements that may be used with swimming pool winterization.}
[For all pool surfaces] *{This statement alerts consumer to the fact they may use this product in above ground, in ground, indoor, outdoor, plaster, vinyl, fiberglass pools}*
[Winter oxidizer and clarifier]
[Suitable for above ground pools]
[Effective winter shock]
[Suitable for vinyl pools]
[First step in an effective winterization program]
[For use in vinyl, painted, fiberglass or color plaster surface pools]
[Restores water clarity]
[Quick-dissolving winter shock]
[Oxidizer, Buffer, Clarifier, Flocculant]

[No pre-dissolving]
[Suitable for all pool surfaces]
[Quick-dissolving]
[Multi-purpose]
[Dual-action]
[Regular use will create easier spring start-up]
[Suitable for closing pools]
[Suitable for winterizing pools]

{Spa Claims}

{Optional marketing statements that may be used with spa & hot tub oxidizing.}

[For Spas & Hot Tubs]
[Oxidizes and clarifies for beautiful water]
[Removes unpleasant odors]
[Restores water sparkle]
[Produces clear, sparkling spa water]
[Easy to use]
[Multi-purpose shock]
[Oxidizer, water clarifier, flocculant, buffer]
[Treats 500 gallons] *{Only to be used when sold in 1.5 ounce bags}*
[No pre-mixing]
[Reduces odors]
[Rapidly dissolving]

{Reader Notes: Ionizers use a metal such as copper or silver as a supplemental sanitizer. These metals do not provide any oxidizing power. Therefore an oxidizer is required to break down organic contaminants such as perspiration, lotions, body oils, etc. Ozone provides oxidation of spa water only at the point of contact where ozone is being generated in the circulation system. Granular Trichlor 29 provides residual oxidation throughout the spa.}
[Suitable for use with ozone] [Compatible with ozone and ionizers] [Compatible with ionizers]

{Reader Notes: The “Pool Essentials System” box below may be placed on the label to allow easy product category identification by consumers.}

{When sold with shock directions only}

Pool Essentials System	<input type="radio"/>	<input type="radio"/>	<input checked="" type="radio"/>	<input type="radio"/>
	balance	chlorinate	shock	algaecide

{When sold with shock/algae kill directions}

Pool Essentials System	<input type="radio"/>	<input type="radio"/>	<input checked="" type="radio"/>	<input checked="" type="radio"/>
	balance	chlorinate	shock	algaecide

{Reader Notes: The “4-step System” box below may be placed on the label to allow easy product category identification by consumers.}

{When sold with shock directions only}

4-step System	<input type="radio"/>	<input type="radio"/>	<input checked="" type="radio"/>	<input type="radio"/>
	1 balance	2 chlorinate	shock	4 algaecide

{When sold with shock/algae kill directions}

4-step System	<input type="radio"/>	<input type="radio"/>	<input checked="" type="radio"/>	<input checked="" type="radio"/>
	1 balance	2 chlorinate	shock	algaecide

[Optional Graphics]



{Reader Notes: In a three step pool program the 3 steps are: 1-balance water, 2-sanitize water, 3 - shock water. The Easy 1, 2, 3 Pool Care Brand System is to remind the consumer know there are multiple steps in pool care.}



{Reader Notes: "6 in 1 Formula" is to let the consumer know that this product provides 6 benefits in one product: (1) oxidizes, (2) clarifies, (3) prevents corrosion, (4) prevents scale, (5) protects equipment, (6) softens water. These are listed as "Multi-functional claims" on the claims pages and directions of this master label.}



{Reader Notes: The QR (quick reference) square provides a symbol that is used with a smart phone so that the user can quickly link to information about the product/brand. "FPO" is "for position only". A working quick reference square will be provided on production labels.}



{Directions to be used for superchlorination/shock. Option A}

SWIMMING POOL SHOCK

{To maintain brand segmentation, two sets of marketing statements are provided to maintain separate brand identity.}

{One of the following two paragraphs will be used on the label.}

[This fast acting premium 6-in-1 shock product is easy to use and performs multiple, important maintenance functions. When used as directed, Granular Trichlor 29 effectively:

- Kills bacteria and algae [and protects against algae growth].
- Destroys organic contaminants [(such as) [body & suntan oils] [body oils] [suntan oils], [sweat] [perspiration], lotions and urine)] that cause cloudy water, musty odors and eye irritation]

[Because it dissolves rapidly and is multifunctional, this product works fast and effectively, allowing swimming to resume in as little as 15 minutes.*]

{or}

[Granular Trichlor 29 contains an oxidizer, clarifier, filtration enhancer and pH buffers to provide brilliantly clear water with no cloudy residue and without increasing pH like ordinary shock products.] [Granular Trichlor 29 is suitable for use in vinyl, plaster, [PebbleTec®], [aggregate], painted plaster, colored plaster, and fiberglass pools. Granular Trichlor 29 will not discolor swimming pool surfaces when used as directed.]

[Granular Trichlor 29 provides the solution for brilliant, clear, and inviting pool water and is suitable for all pool types.]

DIRECTIONS FOR USE: It is a violation of Federal Law to use this product in a manner inconsistent with its labeling. Read entire label and use strictly in accordance with precautionary statements and directions.

[Make sure all pool equipment is working properly, including pump, filter, skimmer and heater. Backwash filter following manufacturer's directions [to ensure adequate circulation]. Check alkalinity, pH and calcium hardness with a test kit. Adjust alkalinity to 80-125 ppm for plaster pools; 125-150 ppm for vinyl or fiberglass pools. Adjust pH to 7.2 – 7.6 by adding a pH decriaser or pH increaser. Adjust calcium hardness to 200-275 ppm for plaster pools; 175-225 ppm for vinyl or fiberglass pools. When using other products as outlined in directions for this product, always follow directions on those products.]

IMPORTANT NOTE: DO NOT pre-dissolve Granular Trichlor 29. As with other shock products, DO NOT apply through skimmer or chemical feeding device as other chemicals may be present which could result in a violent reaction.

{Routine Maintenance section is optional and may not be included in all labels containing Swimming Pool Shock directions.}

[Routine Maintenance:

1. [With pump running, pour [from 3 feet high or less] 1 lb. of Granular Trichlor 29 per 12,000 gallons of pool water, directly into pool around edges.] *{and/or}* [For small vinyl pools, with pump operating, apply 3.5 teaspoons of Granular Trichlor 29 per 500 gallons or 1.3 ounces per 1,000 gallons directly into pool**.]
2. Wait at least 15 minutes after product application before entering pool.*
3. [After 15 minutes, to] [To] prevent damage to pool surface, use an appropriate pool brush to disperse any undissolved granules which may have settled to the bottom of the pool.
4. Operate pump and filter continuously for 4-8 hours.
5. For best results, apply product weekly as part of your maintenance routine.

If Algae is Present:

1. Vacuum leaves and any other foreign debris from pool. Brush visible algae thoroughly from pool's surface with a surface-compatible brush.
2. [With pump running, pour [from 3 feet or lower] 1 lb. of Granular Trichlor 29 per 12,000 gallons of pool water, directly into pool water in areas of heaviest algae growth, brushing any undissolved product.] *{and/or}* [For small vinyl pools, with pump operating, apply 3.5 teaspoons of Granular Trichlor 29 per 500 gallons or 1.3 ounces per 1,000 gallons directly into pool, brushing any undissolved product **.]
3. Operate pump and filter continuously for 24 hours.
4. After 24 hours, repeat brushing of pool surfaces.
5. Do not enter the pool until the free available chlorine residual is 1-4 ppm.
6. If necessary repeat the treatment.

[[**Use a clean, dedicated spoon to dose the appropriate amount of product into the pool. Keep the dosage spoon stored out of reach of children.] [3 teaspoons equal 1 tablespoon. 1.75 tablespoons equals 1 ounce.]]

***TEST CHLORINE LEVEL PRIOR TO RE-ENTRY. RE-ENTRY INTO TREATED SWIMMING POOLS IS PROHIBITED ABOVE LEVELS OF 4 PPM CHLORINE DUE TO RISK OF BODILY INJURY.**

{Simplified use directions to be used for swimming pool superchlorination/shock. Option B}

SWIMMING POOL SHOCK

[How?]

DIRECTIONS FOR USE: It is a violation of Federal Law to use this product in a manner inconsistent with its labeling. Read entire label and use strictly in accordance with precautionary statements and directions.

- Test and balance water before using this product. Adjust pH to 7.2-7.6. [Backwash filter following manufacturer's directions [to ensure adequate circulation].] Visit [*website*] for complete pool balancing instructions.

To Shock Water [Clear]:

- Add 1 lb. per 12,000 gallons into the deepest pool area, operate filter and pump for 4 to 8 hours. [Hold bag no more than 3 feet over pool surface.]
- [After 15 minutes, to] [To] prevent damage to pool surface, use an appropriate pool brush to disperse any undissolved granules which may have settled to the bottom of the pool.
- DO NOT pre-dissolve, DO NOT apply through skimmer or chemical feeder, DO NOT mix with other chemicals; a violent reaction may result.
- Wait at least 15 minutes after product application before entering pool.*
- Apply more product after heavy use, high temperatures, or rain. For best results, shock pool weekly.

[To Kill Algae:

- Brush pool surfaces while filter and pump are operating.
- Add 1 lb. per 12,000 gallons directly to the pool water in areas of heaviest algae growth, brushing any undissolved product. [Hold bag no more than 3 feet over pool surface.]
- Operate filter and pump for 24 hours and then repeat brushing.
- Do not enter the pool until the free available chlorine residual is 1-4 ppm.
- Product can be re-applied after 72 hours if necessary.]

***TEST CHLORINE LEVEL PRIOR TO RE-ENTRY. RE-ENTRY INTO TREATED SWIMMING POOLS IS PROHIBITED ABOVE LEVELS OF 4 PPM CHLORINE DUE TO RISK OF BODILY INJURY.**

[To Close Pool:

- [Backwash filter following manufacturer's directions [to prepare your filter for closing].]
- Add 1 lb. per 6,000 gallons into the deepest pool area while filter and pump are operating.
- To prevent damage to pool surface, use an appropriate pool brush to disperse any undissolved granules which may have settled to the bottom of the pool.
- Apply an appropriate winter [algaecide] {or} [algicide] after addition of this product.]
- [Visit [*website*] for complete pool closing instructions.]

{Simplified use directions to be used for swimming pool superchlorination/shock. Option C}

DIRECTIONS FOR USE: It is a violation of Federal Law to use this product in a manner that is inconsistent with its labeling. Read entire label and use strictly in accordance with precautionary statements and directions.

[Backwash filter following manufacturer’s directions [to ensure adequate circulation].] Test and balance water prior to use. Adjust pH to 7.2-7.6 [and free chlorine to 1 – 4 ppm]. Visit [*website*] for free water analysis and personalized product and dosage recommendations.

Dosage	When/How To Use:
1 lb per 12,000 GAL	TO SHOCK WATER CLEAR AND DESTROY ORGANIC CONTAMINANTS**: <i>{Optional: Enter Pictogram A and/or C in this box}</i> Broadcast in pool’s deepest area with filter and pump on. Run filter and pump for 4-8 [hrs.] [hours]. DO NOT pre-dissolve, DO NOT add through skimmer or feeder, DO NOT mix with other chemicals (a violent reaction may result). [[After 15 minutes, to] [To] prevent damage to pool surface, use an appropriate pool brush to disperse any undissolved granules which may have settled to the bottom of the pool.] RE-ENTRY: Wait at least 15 minutes after product application before entering pool.* Enter when chlorine level is 1-4 ppm. FOR BEST RESULTS: Shock pool weekly and also after heavy use, high temperatures, or rain. Use at night to prevent sunlight degradation.
	TO KILL ALGAE: <i>{Optional: Enter Pictogram B in this box}</i> <ol style="list-style-type: none"> 1. Brush pool surfaces while filter and pump are operating. 2. Add in areas of heaviest algae growth, brushing any undissolved product. 3. Operate filter and pump for 24 [hrs.] [hours.] 4. After 24 [hrs.] [hours] repeat brushing. Product can be re-applied after 72 [hrs.] [hours] if necessary. 5. Enter when chlorine level is 1-4ppm*
1 lb per 6,000 GAL	TO CLOSE POOL: Broadcast in pool’s deepest area with filter and pump on, brushing any undissolved product. Apply an algacide per closing directions after this product. Visit [<i>website</i>] for complete closing instructions.

*TEST CHLORINE LEVEL PRIOR TO RE-ENTRY. RE-ENTRY INTO TREATED SWIMMING POOLS IS PROHIBITED ABOVE LEVELS OF 4 PPM CHLORINE DUE TO RISK OF BODILY INJURY.

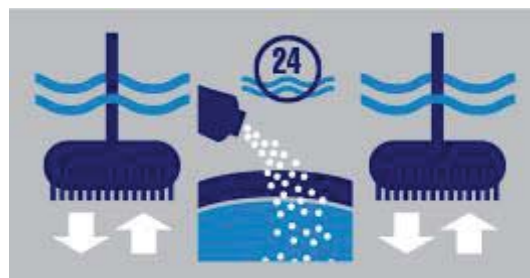
**[such as] [body & suntan oils] [body oils] [&] [suntan oils] [&] [sweat] [perspiration] [&] [lotions] [&] [urine]

[To prevent damage to pool surface, use an appropriate pool brush to disperse any undissolved granules which may have settled to the bottom of the pool.]

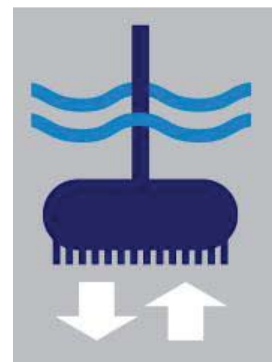
Pictogram A



Pictogram B



Pictogram C



{Optional abbreviated use directions & graphics for use on retail box containing one pound bags of product used for superchlorination. Retail box will also display complete use directions and precautionary statements on other panels when abbreviated use directions and graphics are included on retail box. Option A}

1 lb. bag treats 12,000 gallons of water.



Step One: Open a single bag of Granular Trichlor 29 by cutting along the dotted line with scissors.



Step Two: With pump operating, pour contents directly into pool while walking along the perimeter.



Step Three: Wait at least 15 minutes before entering your pool. Test chlorine levels before re-entry*.

Be sure to operate your pump and filter continuously for 4 to 8 hours after adding Granular Trichlor 29. [After 15 minutes, to] [To] prevent damage to pool surface, use an appropriate pool brush to disperse any undissolved granules which may have settled to the bottom of the pool. For best results, apply weekly as part of your maintenance routine. Check the back of this box for more about Granular Trichlor 29 including detailed directions on application and precautionary statements.

*** Re-entry into treated swimming pools is prohibited above levels of 4 ppm chlorine due to risk of bodily injury.**

{Simplified optional abbreviated use directions & graphics for use on retail box containing one pound bags of product used for superchlorination. Retail box will also display complete use directions and precautionary statements on other panels when abbreviated use directions and graphics are included on retail box. Option B}

1 lb. bag treats 12,000 gallons of water.



Step One: Open a single bag by cutting along the dotted line with scissors.



Step Two: Add 1 lb. 12,000 gallons into the deepest pool area, operate filter and pump for 4 to 8 hours. [Hold bag no more than 3 feet over pool surface.]



Step Three: Wait at least 15 minutes after application before entering pool*.

- [After 15 minutes, to] [To] prevent damage to pool surface, use an appropriate pool brush to disperse any undissolved granules which may have settled to the bottom of the pool.
- Apply more product after heavy use, high temperatures, or rain. For best results, shock pool weekly.
- Check the back of this box for more information, detailed application directions, and precautionary statements.

*** Test chlorine levels before re-entry. Re-entry into treated swimming pools is prohibited above levels of 4 ppm chlorine due to risk of bodily injury.**

{Directions to be used for swimming pool winterization.}

SWIMMING POOL WINTERIZATION

{To maintain brand segmentation, two sets of marketing statements are provided to maintain separate brand identity.}

{One of the following two paragraphs will be used on the label.}

[This product is a unique dual action formulation which is the first step in an effective winterization program. [Granular Trichlor 29] *{or}* [This product] both oxidizes and clarifies pool water. This quick dissolving product is suitable for use in pools of any surface type.]

{or}

[This multipurpose formulation oxidizes, clarifies, and buffers all in one easy to use product, ensuring an easy spring start-up. Quick dissolving, this easy to use product is suitable for all pool surfaces. This unique formulation results in outstanding water clarity during the winter season and into spring start-up.]

[May be used with chlorine, bromine, ozone and ionization systems. DO NOT use in pools sanitized with biguanides.] *{Reader Notes: For all ozone and ionization references see reader's note explanation in claims section.}*

IMPORTANT NOTE: DO NOT pre-dissolve Granular Trichlor 29. As with other shock products, DO NOT apply through skimmer or chemical feeding device as other chemicals may be present which could result in a violent reaction.

DIRECTIONS FOR USE: It is a violation of Federal Law to use this product in any manner inconsistent with its labeling. Read entire label and use strictly in accordance with precautionary statements and directions.

[Backwash filter following manufacturer's directions [to prepare your filter for closing].] Use 1 pound of this product for each 6,000 gallons of pool water. With the circulation system of the pool on, pour [from 3 feet high or less] the entire dosage into the deep end of the pool. Brush any undissolved product off the surface of the pool with a surface compatible brush.

Continue to circulate the pool for **at least** 30 minutes before proceeding to the next step in the winterization process.

It is recommended that as part of the closing procedures, a quality winterizing algaecide be applied following the application of this product. After application of the algaecide, continue with the closing of the pool as directed by pool manufacturer or your dealer.

For mesh covered or non-covered pools, a mid-winter treatment may be required using an appropriate EPA registered sanitizer.

{Directions to be used for spa and hot tub oxidizing.}

SPA AND HOT TUB OXIDIZER

{To maintain brand segmentation, two sets of marketing statements are provided to maintain separate brand identity.}

{One of the following two paragraphs will be used on the label.}

[This easy to use multi-purpose shock is specially formulated to reduce unpleasant odors. [It is designed to correct most cloudy conditions and restore spa water sparkle.] It is compatible with ozone systems. This product enhances water comfort and stabilizes pH. [Special] [Unique] [It includes] ingredients [such as water clarifiers and filter enhancers] [that] aid the filter in removing small suspended particles to further enhance water clarity.]

{or}

[This product is specially formulated to destroy unpleasant odors, and corrects most cloudy conditions to restore spa water sparkle. It combines a blend of multiple oxidizers, water clarifiers and water enhancing buffers. Special ingredients aid the filter in removing small suspended particles to further enhance water clarity. This product provides enhanced water clarity, improved bather comfort, and is convenient to use. It is designed to be used with all types of spa surfaces.]

{One of the following two paragraphs will be used on the label.}

[This product is convenient to use and dissolves quickly and completely. There is no pre-mixing required and no undissolved solids remain. [This product works with all surface types [and may be used with chlorine, bromine, ozone, as well as ionizers. DO NOT use in spas sanitized with biguanides.]]

{or}

[This product dissolves quickly and completely. No premixing is required. This product is pH neutral and usage will not upset spa water balance. It is formulated for use with all types of spa surfaces. [May be used with chlorine, ozone, bromine, and ionization systems. DO NOT use in spas sanitized with biguanides.]]

IMPORTANT NOTE: DO NOT pre-dissolve Granular Trichlor 29. As with other shock products, DO NOT apply through skimmer or chemical feeding device as other chemicals may be present which could result in a violent reaction.

DIRECTIONS FOR USE: It is a violation of Federal Law to use this product in any manner inconsistent with its labeling. Read entire label and use strictly in accordance with precautionary statements and directions.

1. Test and adjust spa water pH to 7.2 – 7.6 prior to application of this product.
2. Apply product when spa is not in use.
3. [Apply product at a rate of 3 tablespoons per 500 gallons.] *{or}* [Apply entire 1.5 ounce packet per 500 gallons.]{*when product sold in 1.5 ounce packets*}
4. With pump in operation, apply the entire treatment dosage at one time. Broadcast across water's surface. To prevent damage to spa surface, use an appropriate brush to disperse any undissolved granules which may have settled to the bottom of the spa.
5. Apply directly to spa water only. Do not add through a skimmer or any automatic dispensing device.
6. Add this product at least once a week. Additional applications are recommended after periods of heavy spa usage, significant rainfall or the appearance of cloudy water.

TEST CHLORINE LEVEL PRIOR TO RE-ENTRY. DO NOT RE-ENTER SPA UNTIL YOUR TEST KIT READING INDICATES A CHLORINE LEVEL OF 5 PPM OR LESS OR BROMINE LEVEL OF 8 PPM OR LESS.

{Reader Notes: 8 ppm bromine is re-entry level used for BCDMH (bromine treated) spas in EPA Registration # 5185-420.}

STORAGE AND DISPOSAL: Keep this product dry in original tightly closed container when not in use. Store in a cool, dry, well ventilated area away from heat or open flame. If product becomes damp, discard, following instructions for contamination under Physical or Chemical Hazards. **CONTAINER DISPOSAL:** Non-refillable container. Do not reuse or refill this container. Offer for recycling, if available. Triple rinse container (or equivalent) promptly after emptying.

PRECAUTIONARY STATEMENTS

HAZARDS TO HUMANS AND DOMESTIC ANIMALS: DANGER: Corrosive. Causes irreversible eye damage and skin burns. Harmful if swallowed or absorbed through the skin. Do not get in eyes, on skin, or on clothing. Prolonged and frequently repeated skin contact may cause allergic reactions in some individuals. Wear safety glasses or goggles and rubber gloves when handling this product. Wash thoroughly with soap and water after handling and before eating, drinking, chewing gum, using tobacco or using the toilet. Remove and wash contaminated clothing before reuse.

{When First Aid is not located on front panel of label, it will be separated by line rules from adjacent text and be in a different color.}

FIRST AID: IF IN EYES: Hold eye open and rinse slowly and gently with water for 15-20 minutes. Remove contact lenses, if present, after the first 5 minutes, then continue rinsing eye. Call a poison control center or doctor for treatment advice. **IF ON SKIN OR CLOTHING:** Take off contaminated clothing. Rinse skin immediately with plenty of water for 15-20 minutes. Call a poison control center or doctor for treatment advice. **IF SWALLOWED:** Call poison control center or doctor immediately for treatment advice. Have person sip a glass of water if able to swallow. Do not induce vomiting unless told to do so by the poison control center or doctor. Do not give anything by mouth to an unconscious person. **IF INHALED:** Move person to fresh air. If person is not breathing, call 911 or an ambulance, then give artificial respiration, preferably mouth-to-mouth, if possible. Call poison control center or doctor for treatment advice.

Have the product container or label with you when calling a poison control center or doctor, or going for treatment. [IN CASE OF MEDICAL EMERGENCY, CALL [1-877-800-5553] [or other phone number]

Note to Physician: Probable mucosal damage may contraindicate the use of gastric lavage.

PHYSICAL OR CHEMICAL HAZARDS: CONTAINS OXIDIZING AGENTS. Do not mix with other chemicals or any other substance. DO NOT pre-dissolve or add water to this product. Always apply directly into the pool. Contamination of this product with small amounts of water or other substances may start a chemical reaction and generate heat, hazardous gas, possible fire and explosion. In case of contamination or decomposition, do not reseal [bag] [container]. Isolate [bag] [container] in open air or well-ventilated area. Flood [bag] [container] and area with large volumes of water. In case of spills, scoop up and place product in pool water, then flood spilled area with large volumes of water.

{Environmental hazards statement for end-use products in containers of less than 50 pounds (solid, dry weight).}

[ENVIRONMENTAL HAZARDS: This pesticide is toxic to fish and aquatic invertebrates and may contaminate water through runoff. Other than uses permitted by this label, do not apply directly to water. Do not contaminate water when disposing of equipment washwaters or rinsate.]

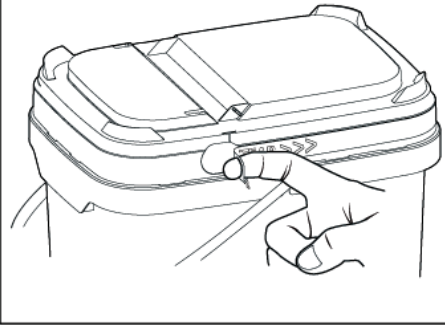
{Environmental hazards statement for end-use products in containers of equal to or greater than 50 pounds (solid, dry weight).}

[ENVIRONMENTAL HAZARDS: This pesticide is toxic to fish and aquatic invertebrates and may contaminate water through runoff. Other than uses permitted by this label, do not apply directly to water. Do not contaminate water when disposing of equipment washwaters or rinsate. Do not discharge effluent containing this product into lakes, streams, ponds, estuaries, oceans or other waters unless in accordance with the requirements of a National Pollutant Discharge Elimination System (NPDES) permit and the permitting authority has been notified in writing prior to discharge. Do not discharge effluent containing this product to sewer systems without previously notifying the local sewage treatment plant authority. For guidance contact your State Water Board or Regional Office of the EPA.]

[NOTE: Buyer assumes all responsibility for safety and use not in accordance with directions.]

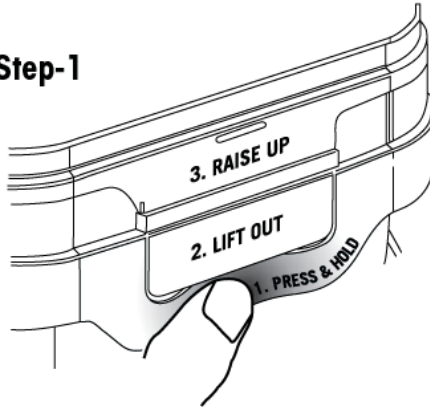
[NOTE: User assumes all responsibility for use not in accordance with directions.]

Tamper Evident Tear Strip
Tear away by using "ring pull" on either side of lid

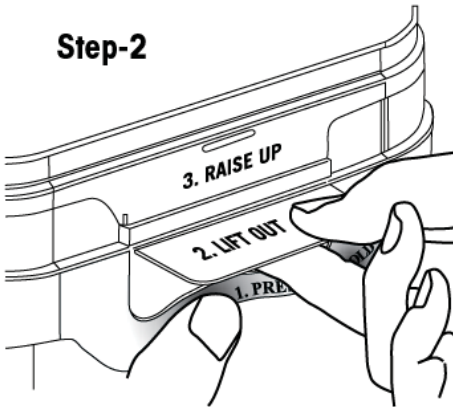


**To open the lid
(after the tear strip is removed)**

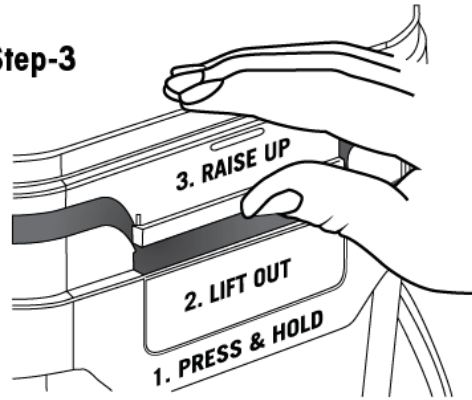
Step-1



Step-2

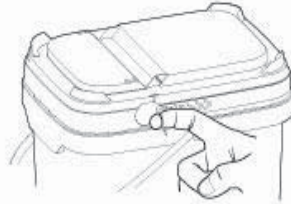


Step-3



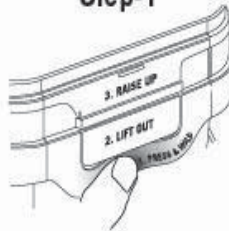
Do not store in direct sunlight

Tamper Evident Tear Strip
Tear away by using "ring pull" on either side of lid



To open the lid (after the tear strip is removed)

Step-1



Step-2



Step-3

