



UNITED STATES ENVIRONMENTAL PROTECTION AGENCY  
WASHINGTON, DC 20460

OFFICE OF CHEMICAL SAFETY  
AND POLLUTION PREVENTION

November 19, 2015

Ms. Cassie Alexander  
Associate Manager, RA NA  
Merial, Inc.  
3239 Satellite Blvd., Bld. 500  
Duluth, GA 30096

Subject: PRIA Label Amendment – Two Additional Unit Packages  
Product Name: Frontline Plus for Dogs  
EPA Registration Number: 65331-5  
Application Date: July 17, 2015  
Decision Number: 507722

Dear Ms. Alexander:

The amended label referred to above, submitted in connection with registration under the Federal Insecticide, Fungicide and Rodenticide Act, as amended, is acceptable. This approval does not affect any conditions that were previously imposed on this registration. You continue to be subject to existing conditions on your registration and any deadlines connected with them.

A stamped copy of your labeling is enclosed for your records. This labeling supersedes all previously accepted labeling. You must submit one copy of the final printed labeling before you release the product for shipment with the new labeling. In accordance with 40 CFR 152.130(c), you may distribute or sell this product under the previously approved labeling for 18 months from the date of this letter. After 18 months, you may only distribute or sell this product if it bears this new revised labeling or subsequently approved labeling. "To distribute or sell" is defined under FIFRA section 2(gg) and its implementing regulation at 40 CFR 152.3.

Should you wish to add/retain a reference to the company's website on your label, then please be aware that the website becomes labeling under the Federal Insecticide Fungicide and Rodenticide Act and is subject to review by the Agency. If the website is false or misleading, the product would be misbranded and unlawful to sell or distribute under FIFRA section 12(a)(1)(E). 40 CFR 156.10(a)(5) list examples of statements EPA may consider false or misleading. In addition, regardless of whether a website is referenced on your product's label, claims made on the website may not substantially differ from those claims approved through the registration process. Therefore, should the Agency find or if it is brought to our attention that a website contains false or misleading statements or claims substantially differing from the EPA approved registration, the website will be referred to the EPA's Office of Enforcement and Compliance.

Your release for shipment of the product constitutes acceptance of these conditions. If these conditions are not complied with, the registration will be subject to cancellation in accordance

Page 2 of 2  
EPA Reg. No. 65331-5  
Decision No. 507722

with FIFRA section 6. If you have any questions, please contact Tim Ciarlo by phone at 703-347-8082, or via email at [Ciarlo.Timothy@epa.gov](mailto:Ciarlo.Timothy@epa.gov).

Sincerely,

A handwritten signature in black ink, appearing to be 'KB Davis', enclosed within a hand-drawn oval.

Kable Bo Davis, Product Manager 3  
Invertebrate and Vertebrate Branch 1  
Registration Division (7505P)  
Office of Pesticide Programs

Enclosure

**Master Label**  
**1x, 3x, 4x, 6x and 8x presentations**

**Includes label text for four different applicator sizes corresponding to four dog weight ranges, and including a 1x, 3x, 4x, 6x and 8x applicator presentation. Due to space limitations the layout of the 1x hanging card may differ from the 3x, 4x, 6x and 8x cartons (NOTE: The 1x hanging card will not utilize a carton or compliance cards, so all required information will be located on the Insert, blister pack or pipette for the 1x presentation).**

[Optional text appears in brackets-the final product label may include some or all of the optional text on the front, back, side panels, or insert.]

**FRONTLINE® Plus FOR DOGS**  
**[ABN] [FRONTLINE® Top Spot® FOR DOGS]**

(Note: font size of FOR DOGS will be 40% of the size of the largest letter in the brand name on the front panel)  
(FRONT PANEL OF 3X, 4X, 6X and 8X CARTON)

**[Full brand name]**

**[3][4][6][8] doses**

**Kills fleas, flea eggs & larvae, ticks, [&] chewing lice [& mosquitoes]**

- Fast-acting
- Long-lasting
- Waterproof

Picture of  
Pipette

Picture of Dog

**Kills ticks, including those that may transmit Lyme disease**

[For use ONLY on DOGS & PUPPIES 8 Weeks or Older and **5-22lbs**]  
[For use ONLY on DOGS **23 to 44lbs**]  
[For use ONLY on DOGS **45 to 88lbs**]  
[For use ONLY on DOGS **89 to 132lbs**]

**ACTIVE INGREDIENTS:**

Fipronil.....9.8%  
(S)-methoprene.....8.8%  
OTHER INGREDIENTS.....81.4%  
TOTAL .....100.0%

Do not use on  
cats pictogram  
[1.5 x 1.5 cm]

NET CONTENTS: X fl oz (Y-X fl oz applicators)

**DO NOT USE ON CATS**

**ACCEPTED**  
**11/19/2015**  
Under the Federal Insecticide, Fungicide  
and Rodenticide Act as amended, for the  
pesticide registered under  
EPA Reg. No. 65331-5

(FRONT PANEL OF 3X, 4X, 6X and 8X CARTON) (Cont'd)

[[3]][4][6][8]-0.023 fl oz (0.67 ml) applicators]

[[3]][4][6][8]-0.045 fl oz (1.34 ml) applicators]

[[3]][4][6][8]-0.091 fl oz (2.68 ml) applicators]

[[3]][4][6][8]-0.136 fl oz (4.02 ml) applicators]

SEE INSERT FOR FIRST AID AND PRECAUTIONARY STATEMENTS  
KEEP OUT OF REACH OF CHILDREN

**CAUTION**

(LEFT INNER PANEL OF 3X, 4X, 6X and 8X CARTON)

**[Full brand name]**

[Full or partial brand name] is:

- Fast-acting
- Long-lasting
- Waterproof

One spot application is all that's needed:

[Full or partial brand name] spreads from the single point of application, rapidly covering the entire dog and localizing in the hair, on the surface of the skin and in the sebaceous glands.

These glands act as a reservoir, continuously replenishing [Full or partial brand name] onto the skin and hair coat, so it keeps working even if the dog gets wet.

Fleas, flea eggs & larvae, ticks and chewing lice are killed quickly after coming into contact with a treated dog. Fleas and ticks do not need to bite the dog in order to die.

[Full or partial brand name]:

**Fleas**

- Kills fleas, flea eggs and flea larvae
- Prevents all flea stages (eggs, larvae, pupae) from developing
- Stops existing infestations and prevents establishment of new infestations
- Kills fleas which may cause flea allergy dermatitis

**Ticks**

- Kills all life stages of ticks (larva, nymph and adult), including deer ticks (*Ixodes scapularis*), brown dog ticks (*Rhipicephalus sanguineus*), American dog ticks (*Dermacentor variabilis*) and lone star ticks (*Amblyomma americanum*)
- Kills ticks that may transmit Lyme disease, Rocky Mountain spotted fever, ehrlichiosis, babesiosis, anaplasmosis and other tick-borne diseases

**Lice**

- Rapidly eliminates chewing lice infestations

**[Mosquitoes]**

- [Kills mosquitoes]

**Mites**

- Aids in the control of sarcoptic mange infestations

[Full or partial brand name] is approved for use on all dogs, including:

- Breeding, pregnant, and lactating bitches
- Puppies as young as 8 weeks and weighing at least [5 lbs.] [23 lbs.] [45 lbs.] [89 lbs.]



Adult Fleas



Flea Eggs



Flea Larvae



Ticks



Chewing Lice



[Mosquitoes]

(RIGHT INNER PANEL OF 3X, 4X, 6X and 8X CARTON)

### How to Apply [Full or partial brand name]



#### Step 1. To **REMOVE** Applicator

1. Use scissors to separate one blister
2. Use scissors to cut along dotted line
3. Peel down foil to remove the applicator



#### Step 2. **OPEN** Applicator

Hold upright with foil side toward you and snap applicator tip.



#### Step 3. **APPLY** [Full or partial brand name]

Part the dog's hair between the shoulder blades. Place the applicator tip just above the skin and squeeze. Apply entire contents of the applicator in a single spot directly onto the dog's skin. Do not apply on top of the hair coat. Avoid contact with treated area until dry. Do not allow your dog to ingest this product. [Do not apply to dogs weighing less than [5 lbs.] [23 lbs.] [45 lbs.] [89 lbs.] or younger than 8 weeks of age.][Do not use two applicators for dogs weighing more than 132 lbs.] Do not use more than one application per dog per month.

#### Questions or Comments?

Call: 1-800-660-1842.

Monday-Friday, 8am-8pm EST or  
visit us at [www.FRONTLINE.com](http://www.FRONTLINE.com)

(BACK PANEL OF 3X, 4X, 6X and 8X CARTON)

**[Full brand name]**

[Full or partial brand name] provides fast-acting, long-lasting, waterproof treatment and control of fleas, ticks, chewing lice, [and] sarcoptic mites [and mosquitoes] for use ONLY on [dogs and puppies 8 weeks or older and 5-22 lbs.][dogs weighing 23-44 lbs.] [dogs weighing 45-88 lbs.][dogs weighing 89-132 lbs.].

**Directions for Use**

It is a violation of Federal Law to use this product in a manner inconsistent with its labeling. Do not allow children to apply product. **TO PREVENT HARM TO YOU AND YOUR DOG, READ ENTIRE LABEL AND ENCLOSED DIRECTIONS BEFORE EACH USE. FOLLOW ALL DIRECTIONS AND PRECAUTIONARY STATEMENTS CAREFULLY. USE ON DOGS ONLY. DO NOT USE ON RABBITS. DO NOT USE ON OTHER ANIMALS. Dogs may experience some temporary irritation at the site of application. Please see insert for additional information.**

To kill fleas, flea eggs & larvae, ticks, [and] chewing lice [and mosquitoes] apply [Full or partial brand name] as follows:

- To *REMOVE* Applicator:
  1. Use scissors to separate one blister
  2. Use scissors to cut along dotted line
  3. Peel down foil to remove the applicator
- *OPEN* Applicator. Hold upright with foil side toward you and snap applicator tip.
- *APPLY* [Full or partial brand name]. Part the dog's hair between the shoulder blades. Place the applicator tip just above the skin and squeeze. Apply entire contents of the applicator in a single spot directly onto the dog's skin. Do not apply on top of the hair coat. Avoid contact with treated area until dry. Do not allow your dog to ingest this product. [Do not apply to dogs weighing less than [5 lbs.] [23 lbs.] [45 lbs.] [89 lbs.] or younger than 8 weeks of age.][Do not use two applicators for dogs weighing more than 132 lbs.] Do not use more than one application per dog per month.

[Full or partial brand name] is approved for use on breeding, pregnant, and lactating bitches and puppies as young as 8 weeks.

[Full or partial brand name] remains effective even after bathing, water immersion, or exposure to sunlight.

SIDE EFFECTS: Dogs may experience some temporary irritation at the site of application. If signs persist or become more severe within a few days of application, consult a veterinarian immediately.

**Frequency of Application**

When used monthly, [Full or partial brand name] completely breaks the flea life cycle and controls tick and chewing lice infestations. Do not reapply [Full or partial brand name] for 30 days.

[Full or partial brand name] kills adult fleas, flea eggs, and flea larvae for up to three months.

[Full or partial brand name] also prevents development of all flea stages for up to three months.

[Full or partial brand name] can control fleas for up to three months, however, if there

(BACK PANEL OF 3X, 4X, 6X and 8X CARTON) (Cont'd)

is a high risk of reinfestation or if the dog has fleas which may cause flea allergy dermatitis, a once monthly application may be needed.

[Full or partial brand name] kills ticks for at least one month. A once monthly application is recommended where tick control is needed. [Full or partial brand name] kills all life stages of ticks (larva, nymph and adult). [Full or partial brand name] kills ticks that may transmit Lyme disease, Rocky Mountain spotted fever, ehrlichiosis, babesiosis, anaplasmosis and other tick-borne diseases.

[Full or partial brand name] kills chewing lice for at least one month. A once monthly application is recommended where chewing lice control is needed.

[Full or partial brand name] aids in the control of sarcoptic mange infestations. Multiple monthly treatments are recommended for the elimination of mites.

[[Full or partial brand name] kills mosquitoes within 24 hours for up to 7 days, and within 48 hours for up to 28 days, with a monthly application.]



Please call our experts at **1-800-660-1842**, Monday-Friday, 8am-8pm EST, with any questions or comments about flea, tick, chewing lice, [or] sarcoptic mite [or mosquito] control or [Full or partial brand name]

Do not use on cats  
pictogram  
[1.5 x 1.5 cm]

Keep cats away from treated dogs for 24 hours or until product has dried. If applied to a cat or ingested by a cat, contact your veterinarian immediately.

Merial, Inc.  
3239 Satellite Blvd.  
Duluth, GA 30096-4640, USA  
MADE IN FRANCE

®FRONTLINE and TOP SPOT are registered trademarks of Merial.  
©2015 Merial, Inc., Duluth, GA.  
All rights reserved.

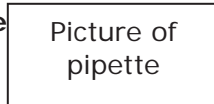


(TOP OUTER PANEL and LEFT SIDE OUTER PANEL OF 3X, 4X, 6X and 8X CARTON)

**[Full brand name]**

[For use ONLY on DOGS & PUPPIES 8 Weeks or Older and **5-22lbs**]  
[For use ONLY on DOGS **23 to 44lbs**]  
[For use ONLY on DOGS **45 to 88lbs**]  
[For use ONLY on DOGS **89 to 132lbs**]

**[3][4][6][8] dose**



(BOTTOM OUTER PANEL OF 3X, 4X, 6X and 8X CARTON)

For dog use only

Bar Code

(RIGHT SIDE OUTER PANEL OF 3X, 4X, 6X and 8X CARTON)

EPA Reg. No 65331-5    LOT NO:

EPA Est.

(INSERT FOR 3X, 4X, 6X and 8X)

**[Full brand name]**

**For use ONLY on DOGS & PUPPIES 8 weeks or older and weighing at least [5 lbs. for small dogs] [23 lbs. for medium dogs] [45 lbs. for large dogs] [and] [89 lbs. for extra-large dogs]:**

**Fast-acting, long-lasting, waterproof treatment and control of fleas, flea eggs & larvae, ticks, chewing lice, [and] sarcoptic mites [and mosquitoes].**

**ACTIVE INGREDIENTS**

<b>Fipronil .....</b>	<b>9.8%</b>
<b>(S)-methoprene.....</b>	<b>8.8%</b>
<b>OTHER INGREDIENTS.....</b>	<b>81.4%</b>
<b>TOTAL .....</b>	<b>100.0%</b>

Do not use on cats pictogram [1.5 x 1.5 cm]

**KEEP OUT OF REACH OF CHILDREN**

**CAUTION**

**DO NOT USE ON CATS**

**[Full or partial brand name]:**

**Fleas**

- Kills fleas, flea eggs and flea larvae
- Prevents all flea stages (eggs, larvae, pupae) from developing
- Stops existing infestations and prevents establishment of new infestations
- Kills fleas which may cause flea allergy dermatitis

**Ticks**

- Kills all life stages of ticks (larva, nymph and adult), including brown dog ticks (*Rhipicephalus sanguineus*), American dog ticks (*Dermacentor variabilis*), lone star ticks (*Amblyomma americanum*) and deer ticks (*Ixodes scapularis*),
- Kills ticks that may transmit Lyme disease, Rocky Mountain spotted fever, haemobartonellosis, ehrlichiosis, babesiosis, anaplasmosis and other tick-borne diseases

**Lice**

- Rapidly eliminates chewing lice infestations

**Mites**

- Aids in the control of sarcoptic mange infestations

**[Mosquitoes]**

- [Kills mosquitoes]

**[Full or partial brand name]** is approved for use on all dogs, including:

- Breeding, pregnant, and lactating bitches
- Puppies as young as 8 weeks and weighing at least [5 lbs. for small dogs] [23 lbs. for medium dogs] [45 lbs. for large dogs][and] [89 lbs. for extra-large dogs]

**One spot application is all that's needed:**

[Full or partial brand name] spreads from the single point of application, rapidly covering the entire dog and localizing in the hair, on the surface of the skin and in the sebaceous glands.

These glands act as a reservoir, continuously replenishing [Full or partial brand name] onto the skin and hair coat, so it keeps working even if the dog gets wet.

Fleas, ticks, and chewing lice are killed quickly after coming into contact with a treated dog.

Fleas and ticks do not need to bite the dog in order to die.

**DIRECTIONS FOR USE**

It is a violation of Federal Law to use this product in a manner inconsistent with its labeling. Do not allow children to apply product. TO PREVENT HARM TO YOU AND YOUR DOG,

(INSERT FOR 3X, 4X, 6X AND 8X) (Cont'd)

READ ENTIRE LABEL AND DIRECTIONS BEFORE EACH USE. FOLLOW ALL DIRECTIONS AND PRECAUTIONARY STATEMENTS CAREFULLY. USE ON DOGS ONLY. DO NOT USE ON RABBITS. DO NOT USE ON OTHER ANIMALS.

To kill fleas, flea eggs & larva, ticks, [and] chewing lice [and mosquitoes] apply [Full or partial brand name] as follows:

- To *REMOVE* Applicator:
  1. Use scissors to separate one blister
  2. Use scissors to cut along dotted line
  3. Peel down foil to remove the applicator

- *OPEN* Applicator

Hold upright with foil side toward you and snap applicator tip.

- *APPLY* [Full or partial brand name]

Part the dog's hair between the shoulder blades. Place the applicator tip just above the skin and squeeze. Apply entire contents of the applicator in a single spot directly onto the dog's skin. Do not apply on top of the hair coat. Avoid contact with treated area until dry. Do not allow your dog to ingest this product. [Do not apply to dogs weighing less than [5 lbs. for small dogs] [23 lbs. for medium dogs] [45 lbs. for large dogs] [89 lbs. for extra-large dogs] or younger than 8 weeks of age.][Do not use two applicators for dogs weighing more than 132 lbs.] Do not use more than one application per dog per month.

[Full or partial brand name] is approved for use on all dogs, including breeding, pregnant, and lactating bitches and puppies as young as 8 weeks.

[Full or partial brand name] remains effective even after bathing, water immersion, or exposure to sunlight.

#### **FREQUENCY OF APPLICATION**

When used monthly, [Full or partial brand name] completely breaks the flea life cycle and controls tick and chewing lice infestations. Do not reapply [Full or partial brand name] for 30 days.

[Full or partial brand name] kills adult fleas, flea eggs, and flea larvae for up to three months.

[Full or partial brand name] also prevents development of all flea stages for up to three months. [Full or partial brand name] can control fleas for up to three months, however, if there is a high risk of reinfestation or if the dog has fleas which may cause flea allergy dermatitis, a once monthly application may be needed.

[Full or partial brand name] kills ticks for at least one month. A once monthly application is recommended where tick control is needed.

[Full or partial brand name] kills all life stages of ticks (larva, nymph and adult). [Full or partial brand name] kills ticks that may transmit Lyme disease, Rocky Mountain spotted fever, ehrlichiosis, babesiosis, anaplasmosis and other tick-borne diseases.

[Full or partial brand name] kills chewing lice for at least one month. A once monthly application is recommended where chewing lice control is needed.

[Full or partial brand name] aids in the control of sarcoptic mange infestations. Multiple monthly treatments are recommended for the elimination of mites.

[[Full or partial brand name] kills mosquitoes within 24 hours for up to 7 days, and within 48 hours for up to 28 days, with a monthly application.]

#### **STORAGE AND DISPOSAL**

Do not contaminate water, food, or feed by storage and disposal.

**STORAGE.** Store unused product in original container, out of reach of children and animals.

(INSERT FOR 3X, 4X, 6X AND 8X) (Cont'd)

**PESTICIDE DISPOSAL. If partly filled:** Call your local solid waste agency or 1-800-CLEANUP for disposal instructions. Never place unused product down any indoor or outdoor drain.

**CONTAINER DISPOSAL. If empty:** Nonrefillable container. Do not reuse or refill this container. Place in trash or offer for recycling if available.

**FIRST AID**

Have the product container or label with you when calling a poison control center or doctor or going for treatment.

**IF SWALLOWED:** Call a poison control center or doctor immediately for treatment advice. Have person sip a glass of water if able to swallow. Do not induce vomiting unless told to do so by a poison control center or doctor. Do not give anything by mouth to an unconscious person.

**IF IN EYES:** Hold eye open and rinse slowly and gently with water for 15–20 minutes. Remove contact lenses, if present, after the first 5 minutes, then continue rinsing eye. Call a poison control center or doctor for treatment advice.

**IF ON SKIN OR CLOTHING:** Take off contaminated clothing. Rinse skin immediately with plenty of water for 15-20 minutes. Call a poison control center or doctor for treatment or advice.

**PRECAUTIONARY STATEMENTS**

**HAZARDS TO HUMANS. CAUTION.**

Harmful if swallowed. Causes eye irritation. Avoid contact with skin, eyes or clothing. Wash hands thoroughly with soap and water after handling and before eating, drinking, chewing gum, or using tobacco.

**HAZARDS TO DOMESTIC ANIMALS.**

For external use only. Do not use on puppies under 8 weeks of age and [5 lbs. for small dogs] [23 lbs. for medium dogs] [45 lbs. for large dogs] [and] [89 lbs. for extra-large dogs]. Individual sensitivities, while rare, may occur after using any pesticide product.

SIDE EFFECTS: Dogs may experience some temporary irritation at the site of application. If signs persist or become more severe within a few days of application, consult a veterinarian immediately.

If your dog has an unusual reaction to the initial application, consult a veterinarian before repeating treatment. Certain medications can interact with pesticides. Consult a veterinarian before using on medicated, debilitated or aged animals. Call 1-800-660-1842, Monday-Friday, 8am-8pm EST.

**PHYSICAL OR CHEMICAL HAZARDS**

**COMBUSTIBLE:** Do not use or store near heat or open flame.

**HOW SUPPLIED**

For easy and convenient treatment, [Full or partial brand name] is available in sizes for use ONLY on small dogs and puppies 8 weeks or older and 5 - 22 lbs., medium dogs ONLY 23-44 lbs., large dogs ONLY 45-88 lbs., and extra-large dogs ONLY 89-132 lbs.

**WARRANTY**

To the extent consistent with applicable law, seller makes no warranty, expressed or implied, concerning the use of this product other than indicated on the label. Buyer assumes all risk of use and handling of this material when such use and handling are contrary to label instructions.

(INSERT FOR 3X, 4X, 6X and 8X) (Cont'd)

**Merial, Inc.**

3239 Satellite Blvd.

Duluth, GA 30096-4640, USA

®FRONTLINE and TOP SPOT are registered trademarks of Merial.

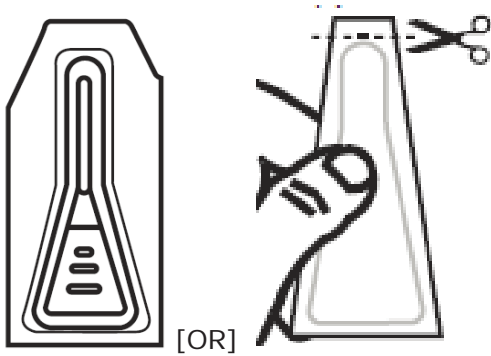
©2015 Merial, Inc., Duluth, GA. All rights reserved.

Bar code

(3X, 4X, 6X and 8X BLISTER)

↑ CUT LINE ↑

[Full or partial brand name]



TO REMOVE APPLICATOR:

1. Use scissors to separate one blister
2. Use scissors to cut along dotted line
3. Peel down foil to remove the applicator

[0.023 fl oz][0.045 fl oz][0.091 fl oz][0.136 fl oz]

Lot #

**[ONLY for DOGS & PUPPIES 8 Weeks and Older and 5-22 lbs]**

**[ONLY for DOGS 23-44 lbs]**

**[ONLY for DOGS 45-88 lbs]**

**[ONLY for DOGS 89-132 lbs]**

(1X, 3X, 4X, 6X, 8X PIPETTE)

MERIAL

Contains fipronil (9.8%)  
(S)-methoprene (8.8%)

Do not use on  
cats pictogram

**[ONLY for DOGS & PUPPIES 8 Weeks and Older and 5-22 lbs]**  
**[ONLY for DOGS 23-44 lbs]**  
**[ONLY for DOGS 45-88 lbs]**  
**[ONLY for DOGS 89-132 lbs]**



[0.023 fl oz][0.045 fl oz][0.091 fl oz][0.136 fl oz]

**[Full or partial brand name]**

Keep out of reach of children  
See full label for additional directions

**CAUTION**

EPA Reg. No. 65331-5

(3X/6X AND 4X/8X COMPLIANCE CARD - FRONT)

**FRONTLINE®**

See other side for more...



**Fleas**



**Ticks**



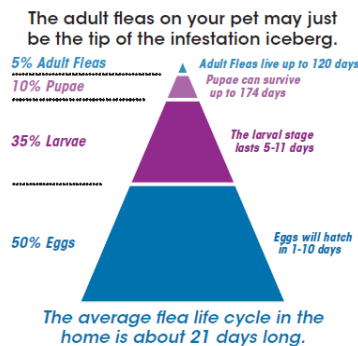
**Chewing Lice**

Some tips and other information

- To successfully control fleas and ticks, all dogs and cats must be treated with their own dose of FRONTLINE®.
- Apply according to label instructions, ensuring the product is applied to the skin, not on top of the fur and not near the collar. It may be helpful to remove the collar before application, so it doesn't absorb the product.
- Remember, your dog needs to be dry at the time FRONTLINE is applied and remain dry 24 hours after application.
- Verify pipette is empty after application (multiple squeezes may be necessary to apply the entire dose).
- Even indoor dogs need flea and tick control because you or other pets in the household may bring fleas into the home. These fleas can lead to a flea infestation.

**FLEAS: What you need to know**

It can take up to 3 months to get rid of a serious flea infestation because of all of the flea life stages that existed BEFORE you started using FRONTLINE.





(3X/6X AND 4X/8X COMPLIANCE CARD - BACK)

Calendar Reminder Stickers

To ensure continued protection of your dogs, use these stickers as a reminder to apply and re-purchase FRONTLINE.

After treating your dog for the first time, peel off the sticker and place on your calendar that day.

Place the remaining stickers on your calendar as a reminder to apply FRONTLINE monthly.

Don't forget to re-purchase!

**QUESTIONS?**

Contact your veterinarian or call our technical experts at **1-800-660-1842**.  
Monday-Friday, 8am-8pm. For more information, visit **www.FRONTLINE.com**.

®FRONTLINE and TOP SPOT are registered trademarks of Merial.  
©2015 Merial, Inc., Duluth, GA.  
All rights reserved.

[6][8] Months  
use all [6][8] stickers

[3][4] stickers that read "Apply  
FRONTLINE®" with a picture of a pipette

---

[3][4] Months

[3][4] stickers that read "Apply  
FRONTLINE®" with a picture of a pipette

Bar code

(FRONT PANEL OF 1X Insert)

**(Note: font size of FOR DOGS will be 40% of the size of the largest letter in the brand name on the front panel)**



**[Full brand name]**

EPA Reg. No. 65331-5  
EPA Est. No. 65331-FR-2  
MADE IN FRANCE

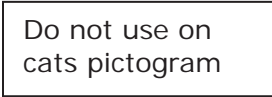


**Kills fleas, ticks, [&] chewing lice [& mosquitoes]**

- Fast-acting
- Long-lasting
- Waterproof

**ACTIVE INGREDIENTS:**

Fipronil.....9.8%  
(S)-methoprene.....8.8%  
OTHER INGREDIENTS.....81.4%  
TOTAL .....100.0%



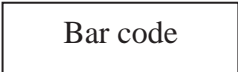
**Net Contents :**

- [1-0.023 fl oz (0.67 ml) applicator]
- [1-0.045 fl oz (1.34 ml) applicator]
- [1-0.091 fl oz (2.68 ml) applicator]
- [1-0.136 fl oz (4.02 ml) applicator]

**1 monthly dose**

**DO NOT USE ON CATS**

**Kills ticks, including those that may transmit Lyme disease**



[For use ONLY on DOGS & PUPPIES 8 Weeks or Older and **5-22lbs**]  
[For use ONLY on DOGS **23 to 44lbs**]  
[For use ONLY on DOGS **45 to 88lbs**]  
[For use ONLY on DOGS **89 to 132lbs**]

See inside panels for FIRST AID and PRECAUTIONARY statements.  
KEEP OUT OF REACH OF CHILDREN  
**CAUTION**

(INNER PANELS FOR 1X INSERT)

[Full brand name]

For use ONLY on DOGS & PUPPIES 8 weeks or older and weighing at least [5 lbs.][23 lbs] [45 lbs.] [89 lbs.]:

Fast-acting, long-lasting, waterproof treatment and control of fleas, flea eggs & larvae, ticks, chewing lice, [and] sarcoptic mites [and mosquitoes].

**ACTIVE INGREDIENTS**

Fipronil .....	9.8%
(S)-methoprene.....	8.8%
OTHER INGREDIENTS.....	81.4%
TOTAL .....	100.0%

**KEEP OUT OF REACH OF CHILDREN**

**CAUTION**

[Full or partial brand name]:

**Fleas**

- Kills fleas, flea eggs and flea larvae
- Prevents all flea stages (eggs, larvae, pupae) from developing
- Stops existing infestations and prevents establishment of new infestations
- Kills fleas which may cause flea allergy dermatitis

**Ticks**

- Kills all life stages of ticks (larva, nymph and adult), including brown dog ticks (*Rhipicephalus sanguineus*), American dog ticks (*Dermacentor variabilis*), lone star ticks (*Amblyomma americanum*) and deer ticks (*Ixodes scapularis*),
- Kills ticks that may transmit Lyme disease, Rocky Mountain spotted fever, haemobartonellosis, ehrlichiosis, babesiosis, anaplasmosis, and other tick-borne diseases

**Lice**

- Rapidly eliminates chewing lice infestations

**Mites**

- Aids in the control of sarcoptic mange infestations

**[Mosquitoes]**

- [Kills mosquitoes]

[Full or partial brand name] is approved for use on all dogs, including:

- Breeding, pregnant, and lactating bitches
- Puppies as young as 8 weeks and weighing at least [5 lbs.] [23lbs.] [45 lbs.] [89 lbs.]

**One spot application is all that's needed:**

[Full or partial brand name] spreads from the single point of application, rapidly covering the entire dog and localizing in the hair, on the surface of the skin and in the sebaceous glands.

These glands act as a reservoir, continuously replenishing [Full or partial brand name] onto the skin and hair coat, so it keeps working even if the dog gets wet.

Fleas, ticks, and chewing lice are killed quickly after coming into contact with a treated dog.

Fleas and ticks do not need to bite the dog in order to die.

**DIRECTIONS FOR USE**

It is a violation of Federal Law to use this product in a manner inconsistent with its labeling. Do not allow children to apply product. TO PREVENT HARM TO YOU AND YOUR DOG, READ ENTIRE LABEL AND DIRECTIONS BEFORE EACH USE. FOLLOW ALL DIRECTIONS AND PRECAUTIONARY STATEMENTS CAREFULLY. USE ON DOGS ONLY. DO NOT USE ON RABBITS. DO NOT USE ON OTHER ANIMALS.

(INNER PANELS FOR 1X INSERT) (Cont'd)

To kill fleas, flea eggs & larva, ticks, [and] chewing lice [and mosquitoes] apply [Full or partial brand name] as follows:

- *OPEN* Applicator

Hold upright with foil side toward you and snap applicator tip.

- *APPLY* [Full or partial brand name]

Part the dog's hair between the shoulder blades. Place the applicator tip just above the skin and squeeze. Apply entire contents of the applicator in a single spot directly onto the dog's skin. Do not apply on top of the hair coat. Avoid contact with treated area until dry. Do not allow your dog to ingest this product. [Do not use on dogs weighing less than [5 lbs.] [23lbs.] [45 lbs.] [89 lbs.] or younger than 8 weeks of age.][Do not use two applicators for dogs weighing more than 132 lbs.] Do not use more than one application per dog per month. [Full or partial brand name] is approved for use on all dogs, including breeding, pregnant, and lactating bitches and puppies as young as 8 weeks.

[Full or partial brand name] remains effective even after bathing, water immersion, or exposure to sunlight.

**FREQUENCY OF APPLICATION**

When used monthly, [Full or partial brand name] completely breaks the flea life cycle and controls tick and chewing lice infestations. Do not reapply [Full or partial brand name] for 30 days.

[Full or partial brand name] kills adult fleas, flea eggs, and flea larvae for up to three months.

[Full or partial brand name] also prevents development of all flea stages for up to three months. [Full or partial brand name] can control fleas for up to three months, however, if there is a high risk of reinfestation or if the dog has fleas which may cause flea allergy dermatitis, a once monthly application may be needed.

[Full or partial brand name] kills ticks for at least one month. A once monthly application is recommended where tick control is needed.

[Full or partial brand name] kills all life stages of ticks (larva, nymph and adult). [Full or partial brand name] kills ticks that may transmit Lyme disease, Rocky Mountain spotted fever, ehrlichiosis, babesiosis, anaplasmosis and other tick-borne diseases.

[Full or partial brand name] kills chewing lice for at least one month. A once monthly application is recommended where chewing lice control is needed.

[Full or partial brand name] aids in the control of sarcoptic mange infestations. Multiple monthly treatments are recommended for the elimination of mites.

[[Full or partial brand name] kills mosquitoes within 24 hours for up to 7 days, and within 48 hours for up to 28 days, with a monthly application.]

**STORAGE AND DISPOSAL**

Do not contaminate water, food, or feed by storage and disposal.

**STORAGE.** Store unused product in original container, out of reach of children and animals.

**PESTICIDE DISPOSAL. If partly filled:** Call your local solid waste agency or 1-800-CLEANUP for disposal instructions. Never place unused product down any indoor or outdoor drain.

**CONTAINER DISPOSAL. If empty:** Nonrefillable container. Do not reuse or refill this container. Place in trash or offer for recycling if available.

(INNER PANELS FOR 1X INSERT) (Cont'd)

**FIRST AID**

Have the product container or label with you when calling a poison control center or doctor or going for treatment.

**IF SWALLOWED:** Call a poison control center or doctor immediately for treatment advice. Have person sip a glass of water if able to swallow. Do not induce vomiting unless told to do so by a poison control center or doctor. Do not give anything by mouth to an unconscious person.

**IF IN EYES:** Hold eye open and rinse slowly and gently with water for 15–20 minutes. Remove contact lenses, if present, after the first 5 minutes, then continue rinsing eye. Call a poison control center or doctor for treatment advice.

**IF ON SKIN OR CLOTHING:** Take off contaminated clothing. Rinse skin immediately with plenty of water for 15-20 minutes. Call a poison control center or doctor for treatment or advice.

**PRECAUTIONARY STATEMENTS**

**HAZARDS TO HUMANS. CAUTION.**

Harmful if swallowed. Causes eye irritation. Avoid contact with skin, eyes or clothing. Wash hands thoroughly with soap and water after handling and before eating, drinking, chewing gum, or using tobacco.

**HAZARDS TO DOMESTIC ANIMALS.**

For external use only. Do not use on puppies under 8 weeks of age and [5 lbs.] [23lbs.] [45 lbs.] [89 lbs.]. Individual sensitivities, while rare, may occur after using any pesticide product.

SIDE EFFECTS: Dogs may experience some temporary irritation at the site of application. If signs persist or become more severe within a few days of application, consult a veterinarian immediately.

If your dog has an unusual reaction to the initial application, consult a veterinarian before repeating treatment. Certain medications can interact with pesticides. Consult a veterinarian before using on medicated, debilitated or aged animals. Call 1-800-660-1842, Monday-Friday, 8am-8pm EST.

**PHYSICAL OR CHEMICAL HAZARDS**

**COMBUSTIBLE:** Do not use or store near heat or open flame.

**HOW SUPPLIED**

For easy and convenient treatment, [Full or partial brand name] is available in sizes for use ONLY on small dogs and puppies 8 weeks or older and 5-22 lbs., medium dogs ONLY 23-44 lbs., large dogs ONLY 45-88 lbs., and extra-large dogs ONLY 89-132 lbs.

**WARRANTY**

To the extent consistent with applicable law, seller makes no warranty, expressed or implied, concerning the use of this product other than indicated on the label. Buyer assumes all risk of use and handling of this material when such use and handling are contrary to label instructions.

**Merial, Inc.**

3239 Satellite Blvd.

Duluth, GA 30096-4640, USA

®FRONTLINE and TOP SPOT are registered trademarks of Merial.

©2015 Merial, Inc., Duluth, GA. All rights reserved.

(BACK PANEL OF 1X Insert)

**How to Apply [Full or partial brand name]**



**Step 1.**

***OPEN* Applicator**

Hold upright with foil side toward you and snap applicator tip.



**Step 2.**

***APPLY* [Full or partial brand name]**

Part the dog's hair between the shoulder blades. Place the applicator tip just above the skin and squeeze. Apply entire contents of the applicator in a single spot directly onto the dog's skin. Do not apply on top of the hair coat. Avoid contact with treated area until dry. Do not allow your dog to ingest this product. [Do not apply to dogs weighing less than [5 lbs.] [23lbs.] [45 lbs.] [89 lbs.] or younger than 8 weeks of age.][Do not use two applicators for dogs weighing more than 132 lbs.] Do not use more than one application per dog per month.

**Questions or Comments?**

**Call: 1-800-660-1842.**

**Monday-Friday, 8am-8pm EST or  
visit us at [www. FRONTLINE.com](http://www.FRONTLINE.com)**

Bar code

(1X BLISTER)

