

65331-4

4/24/2012

10/11



UNITED STATES ENVIRONMENTAL PROTECTION AGENCY  
WASHINGTON, D.C. 20460-0001

OFFICE OF CHEMICAL SAFETY  
AND POLLUTION PREVENTION

April 24, 2012

Ms. Karen C. Cunningham, DVM, DABVP  
Head, Regulatory Affairs North America  
Merial Limited  
3239 Satellite Boulevard, Building 500  
Duluth, GA 30096-4640

**Subject: Amended Master Labeling; Removal of 2-Year Time-Limited Registration Restriction  
FRONTLINE® Plus For Cats, EPA Reg. No. 65331-4  
Your Submission Dated April 13, 2012**

Dear Ms. Cunningham:

The labeling referred to above, submitted in connection with registration under the Federal Insecticide, Fungicide and Rodenticide Act (FIFRA), as amended, is acceptable.

In direct response to Merial Limited's submission (September 9, 2011) of enhanced reporting of adverse events for its FRONTLINE® products (EPA Reg. Nos. 65331-2, 65331-3, 65331-4, and 65331-5), the following changes are being made to the terms and conditions of the subject product registration as a result of EPA's recent review (copy enclosed) of this submission:

1. The 2-year time-limited registration restriction has been removed from the subject product registration.
2. Merial's reporting of enhanced incident data is now only required on an annual basis, rather than on a quarterly basis because 7 years of enhanced incident data reporting have been provided and these data did not demonstrate a concern.

Please note that this product is still subject to all other previously required conditions of registration, including the spot-on mitigation. A copy of your label stamped "Accepted" is enclosed for your records along with a hard copy of the HED review completed for the subject product. If you have any questions about this label review, please contact Mr. Carmen J. Rodia, Jr. at (703) 306-0327 or via e-mail at [Rodia.Carmen@epa.gov](mailto:Rodia.Carmen@epa.gov).

Sincerely Yours,

Richard J. Gebken  
Product Manager (10)  
Insecticide Branch  
Registration Division (7504P)

Enclosures: Label stamped "Accepted"  
HED Memo: "Fipronil Spot-On Products: Conditional Registration and Enhanced Reporting," dated February 27, 2012

065331-00:04 D463903



2 of 11



# How to Apply FRONTLINE Plus FOR CATS

**Step 1. OPEN Applicator**  
Hold upright with foil side toward you and snap applicator tip.

**Step 2. APPLY FRONTLINE Plus**  
Part the cat's hair above the shoulder blades, at the base of the neck. Place the applicator tip just above the skin and squeeze. Apply entire contents of the applicator in a single spot directly onto the cat's skin. Do not apply on top of the hair coat. Avoid contact with treated area until dry.

**Questions or Comments?**  
Call: 1-800-660-1842,  
Monday-Friday, 8am-8pm EST or  
visit us at [www.FRONTLINE.com](http://www.FRONTLINE.com)



BACK

# FRONTLINE Plus FOR CATS

Kills fleas, flea eggs & larvae, ticks & chewing lice & mosquitoes

- Fast-acting
- Long-lasting
- Waterproof

**ACTIVE INGREDIENTS:**  
 Fipronil: ..... 9.8%  
 (S)-methoprene: ..... 11.8%  
**INERT INGREDIENTS:** ..... 78.4%  
**TOTAL:** ..... 100%  
 Contains 1-0.017 fl oz (0.50 ml) applicator  
**1 monthly dose**

**FOR CATS**

EPA Reg. No. 65331-4  
EPA Est. 65331-FR-2  
MADE IN FRANCE

Kills ticks, including those that may transmit Lyme disease



For use ONLY on CATS & KITTENS  
**8 weeks and Older**



See inside panels for FIRST AID and PRECAUTIONARY statements.



KEEP OUT OF REACH OF CHILDREN  
**CAUTION**

FRONT

# FRONTLINE Plus FOR CATS

For use: ONLY on CATS & KITTENS 8 weeks or older: Fast-acting, long-lasting, waterproof treatment and control of fleas, flea eggs & larvae, ticks, chewing lice and mosquitoes.

**ACTIVE INGREDIENTS**  
 fipronil: ..... 9.8%  
 (S)-methoprene ..... 11.8%  
**INERT INGREDIENTS** ..... 78.4%  
**TOTAL** ..... 100.0%

**KEEP OUT OF REACH OF CHILDREN CAUTION**

FRONTLINE Plus for Cats:

- Fleas**
- Kills fleas, flea eggs and flea larvae
  - Prevents all flea stages (eggs, larvae, pupae) from developing
  - Stops existing infestations and prevents establishment of new infestations
  - Kills fleas which may cause flea allergy dermatitis
- Ticks**
- Kills (all life stages of ticks (larva, nymph and adult), including brown dog ticks (*Rhipicephalus sanguineus*), American dog ticks (*Dermacentor variabilis*), lone star ticks (*Amblyomma americanum*) and deer ticks (*Ixodes scapularis*))
  - Kills ticks that may transmit Lyme disease, haemobartonellosis, ehrlichiosis, babesiosis, anaplasmosis and other tick-borne diseases
- Lice**
- Rapidly eliminates chewing lice infestations
- Mosquitoes**
- Kills mosquitoes
- FRONTLINE Plus is approved for use on all cats, including:**
- Breeding, pregnant, and lactating queens
  - Kittens as young as 8 weeks

One spot application is all that's needed: FRONTLINE Plus spreads from the single point of application, rapidly covering the entire cat and localizing in the hair, on the surface of the skin and in the sebaceous glands. These glands act as a reservoir, continuously replenishing FRONTLINE Plus onto the skin and hair coat, so it keeps working even if the cat gets wet.  
 Fleas, ticks, and chewing lice are killed quickly after coming into contact with a treated cat. Fleas and ticks do not need to bite the cat in order to die.

**DIRECTIONS FOR USE**  
 It is a violation of Federal Law to use this product in a manner inconsistent with its labeling. Do not allow children to apply product. **TO PREVENT HARM TO YOU AND YOUR PET, READ ENTIRE LABEL AND DIRECTIONS BEFORE EACH USE. FOLLOW ALL DIRECTIONS AND PRECAUTIONARY STATEMENTS CAREFULLY. USE ON CATS ONLY. DO NOT USE ON RABBITS. DO NOT USE ON OTHER ANIMALS.**  
 To kill fleas, flea eggs & larvae, ticks, chewing lice and mosquitoes apply FRONTLINE Plus for Cats as follows:  
 • **OPEN Applicator**  
 Hold upright with foil side toward you and snap applicator tip.  
 • **APPLY FRONTLINE Plus**  
 Part the cat's hair above the shoulder blades, at the base of the neck. Place the applicator tip just above the skin and squeeze. Apply entire contents of the applicator in a single spot directly onto the cat's skin. Do not apply on top of the hair coat. Avoid contact with treated area until dry.  
 FRONTLINE Plus for Cats is approved for use on all cats, including breeding, pregnant, and lactating queens and kittens as young as 8 weeks. FRONTLINE Plus remains effective even after bathing, water immersion, or exposure to sunlight.  
**FREQUENCY OF APPLICATION**  
 When used monthly, FRONTLINE Plus completely breaks the flea life cycle and controls tick and chewing lice infestations. Do not reapply FRONTLINE Plus for 30 days.  
 FRONTLINE Plus kills adult fleas, flea eggs, and flea larvae for up to six weeks. FRONTLINE Plus

also prevents development of all flea stages for up to six weeks. FRONTLINE Plus can control fleas for up to six weeks, however, if there is a high risk of reinfestation or if the cat has fleas which may cause flea allergy dermatitis, a once monthly application may be needed.  
 FRONTLINE Plus kills ticks for at least one month. A once monthly application is recommended where tick control is needed. FRONTLINE Plus kills all life stages of ticks (larva, nymph and adult). FRONTLINE Plus kills ticks that may transmit Lyme disease, haemobartonellosis, ehrlichiosis, babesiosis, anaplasmosis and other tick-borne diseases.  
 FRONTLINE Plus kills chewing lice for at least one month. A once monthly application is recommended where chewing lice control is needed.  
 FRONTLINE Plus kills mosquitoes within 24 hours for up to 14 days, and within 48 hours for up to 28 days with a monthly application.

**STORAGE AND DISPOSAL**  
 Do not contaminate water, food, or feed by storage and disposal.  
**STORAGE.** Store unused product in original container only, out of reach of children and animals.  
**PESTICIDE DISPOSAL. If partly filled:** Call your local solid waste agency or 1-800-CLEANUP for disposal instructions. Never place unused product down any indoor or outdoor drain.  
**CONTAINER DISPOSAL. If empty:** Nonrefillable container. Do not reuse or refill this container. Place in trash or offer for recycling if available.  
**FIRST AID**  
 Have the product container or label with you when calling a poison control center or doctor, or going for treatment.  
**IF SWALLOWED:** Call a poison control center or doctor immediately for treatment advice. Have person sip a glass of water if able to swallow. Do not induce vomiting unless told to do so by a poison control center or doctor. Do not give anything by mouth to an unconscious person.

**IF IN EYES:** Hold eye open and rinse slowly and gently with water for 15-20 minutes. Remove contact lenses, if present, after the first 5 minutes, then continue rinsing eye. Call a poison control center or doctor for treatment advice.  
**IF ON SKIN OR CLOTHING:** Take off contaminated clothing. Rinse skin immediately with plenty of water for 15-20 minutes. Call a poison control center or doctor for treatment advice.  
**PRECAUTIONARY STATEMENTS HAZARDS TO HUMANS. CAUTION.**  
 Harmful if swallowed. Causes eye irritation. Avoid contact with skin, eyes or clothing. Wash hands thoroughly with soap and water after handling and before eating, drinking, chewing gum, or using tobacco.  
**HAZARDS TO DOMESTIC ANIMALS.**  
 For external use only. Do not use on kittens under 8 weeks of age. Individual sensitivities, while rare, may occur after using any pesticide product. Pets may experience some temporary irritation at the site of product application. If signs persist, or become more severe within a few days of application, consult a veterinarian immediately. Certain medications can interact with pesticides. Consult a veterinarian before using on medicated, debilitated or aged animals. Call 1-800-660-1842, Monday-Friday, 8am-8pm EST.  
**PHYSICAL OR CHEMICAL HAZARDS COMBUSTIBLE:** Do not use or store near heat or open flame.  
**WARRANTY**  
 To the extent consistent with applicable law, seller makes no warranty, expressed or implied, concerning the use of this product other than indicated on the label. Buyer assumes all risk of use and handling of this material when such use and handling are contrary to label instructions.

**Merial Limited**  
 32, rue de la République, 13001 Marseille, France  
 Duluth, GA 30076-4640, USA  
 ©FRONTLINE is a registered trademark of Merial.  
 ©2011 Merial Limited, Duluth, GA. All rights reserved.

ACCEPTED

April 24, 2012

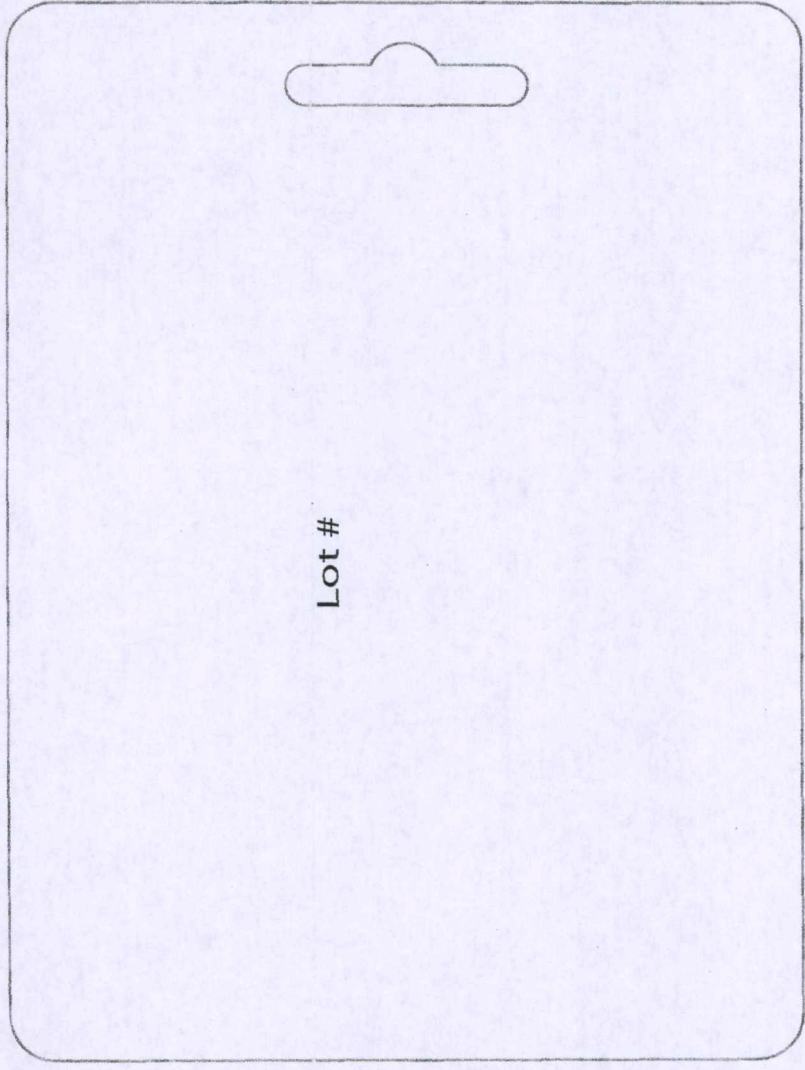
Under the Federal Insecticide, Fungicide, and Rodenticide Act, as amended, for the pesticide registered under:

EPA Reg. No: 65331-4

INSIDE PANELS



30911



Lot #

**FRONTLINE<sup>®</sup>**  
*Plus*  
**FOR CATS**

For use **ONLY** on CATS & KITTENS

**8 Weeks and Older**

3 doses

# FRONTLINE<sup>®</sup>

## *Plus* FOR CATS

Kills fleas, flea eggs & larvae,  
ticks, chewing lice & mosquitoes

- Fast-acting
- Long-lasting
- Waterproof

Kills ticks, including those that may transmit Lyme disease

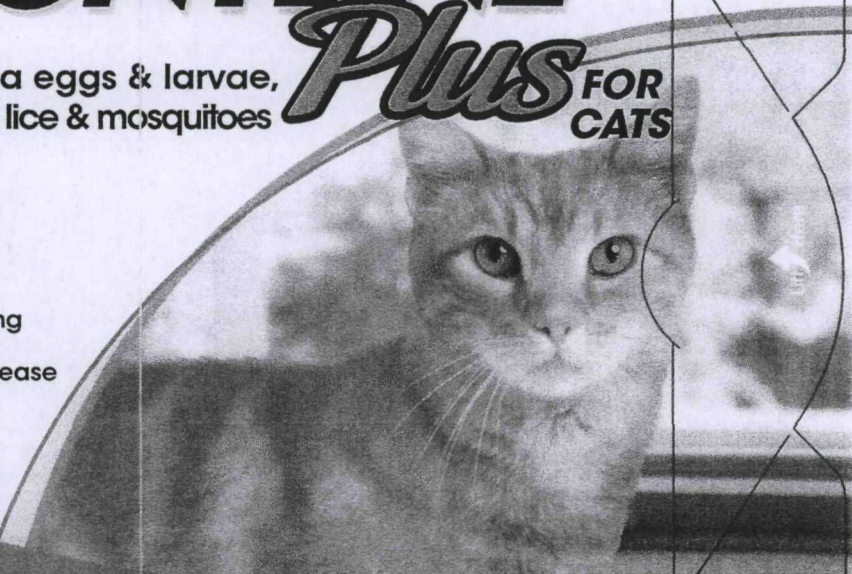
For use **ONLY** on CATS & KITTENS

**8 Weeks and Older**

<b>ACTIVE INGREDIENTS</b>	
Fipronil	9.8%
(S)-methoprene	11.6%
<b>INERT INGREDIENTS</b>	<b>78.4%</b>
<b>TOTAL</b>	<b>100%</b>

Contains 3 (0.017 fl oz (0.50 mL)) applicators

**3(6)**  
doses



SEE INSERT FOR FIRST AID AND PRECAUTIONARY STATEMENTS  
**KEEP OUT OF REACH OF CHILDREN**  
**CAUTION**



PROTOTYPE GRAPHICS



# FRONTLINE® Plus FOR CATS

### FRONTLINE® Plus for Cats is:

- Fast-acting
- Long-lasting
- Waterproof

### One spot application is all that's needed:

FRONTLINE Plus spreads from the single point of application, rapidly covering the entire cat and localizing in the hair, on the surface of the skin and in the sebaceous glands. These glands act as a reservoir, continuously replenishing FRONTLINE Plus onto the skin and hair coat, so it keeps working even if the cat gets wet.

Fleas, ticks and chewing lice are killed quickly after coming into contact with a treated cat. Fleas and ticks do not need to bite the cat in order to die.

### FRONTLINE Plus for Cats:

#### Fleas

- Kills fleas, flea eggs and flea larvae
- Prevents all flea stages (eggs, larvae, pupae) from developing
- Stops existing infestations and prevents establishment of new infestations
- Kills fleas which may cause flea allergy dermatitis

#### Ticks

- Kills all life stages of ticks (larva, nymph and adult), including deer ticks (*Ixodes scapularis*), brown dog ticks (*Rhipicephalus sanguineus*), American dog ticks (*Dermacentor variabilis*) and lone star ticks (*Amblyomma americanum*)
- Kills ticks that may transmit Lyme disease, Rocky Mountain spotted fever, ehrlichiosis, babesiosis, anaplasmosis, haemobartonellosis and other tick-borne diseases

#### Lice

- Rapidly eliminates chewing lice infestations

#### Mosquitoes

- Kills mosquitoes

### FRONTLINE Plus is approved for use on all cats, including:

- Breeding, pregnant, and lactating queens
- Kittens as young as 8 weeks



Adult Fleas



Flea Eggs



Flea Larvae



Ticks



Chewing Lice



Mosquitoes



60911

How to Apply  
**FRONTLINE®**  
*Plus* FOR CATS



**Step 1. To REMOVE Applicator:**  
Lift and remove the plastic tab to expose foil backing; then peel away the foil. Or use scissors to open.



**Step 2. OPEN Applicator**  
Hold upright with foil side toward you and snap applicator tip.



**Step 3. APPLY FRONTLINE Plus**  
Part the cat's hair above the shoulder blades, at the base of the neck. Place the applicator tip just above the skin and squeeze. Apply entire contents of the applicator in a single spot directly onto the cat's skin. Do not apply on top of the hair coat. Avoid contact with treated area until dry.



XXXXX 930

**Questions or Comments?**  
Call: **1-800-660-1842**,  
Monday-Friday, 8am-8pm EST or  
visit us at [www.FRONTLINE.com](http://www.FRONTLINE.com)



70411

FRONTLINE<sup>®</sup> Plus FOR CATS  
8 Weeks and Older  
For use ONLY on CATS & KITTENS

# FRONTLINE<sup>®</sup> Plus FOR CATS

FRONTLINE Plus for Cats provides fast-acting, long-acting, waterproof treatment and control of fleas, ticks, chewing lice & mosquitoes for use ONLY on cats and kittens 8 weeks or older.

### Directions for Use

It is a violation of Federal Law to use this product in a manner inconsistent with its labeling. Do not allow children to apply product. **TO PREVENT HARM TO YOU AND YOUR PET, READ ENTIRE LABEL AND ENCLOSED DIRECTIONS BEFORE EACH USE. FOLLOW ALL DIRECTIONS AND PRECAUTIONARY STATEMENTS CAREFULLY. USE ON CATS ONLY. DO NOT USE ON RABBITS. DO NOT USE ON OTHER ANIMALS.**

To kill fleas, flea eggs & larvae, ticks, chewing lice and mosquitoes apply FRONTLINE Plus for Cats as follows:

- To REMOVE Applicator: Lift and remove the plastic tab to expose foil backing; then peel away the foil. Or use scissors to open.
- OPEN Applicator. Hold upright with foil side toward you and snap applicator tip.
- APPLY FRONTLINE Plus. Part the cat's hair above the shoulder blades, at the base of the neck. Place the applicator tip just above the skin and squeeze. Apply entire contents of the applicator in a single spot directly onto the cat's skin. Do not apply on top of the hair coat. Avoid contact with treated area until dry.

FRONTLINE Plus for Cats is approved for use on all cats, including breeding, pregnant, and lactating queens and kittens as young as 8 weeks.

FRONTLINE Plus remains effective even after bathing, water immersion, or exposure to sunlight.

### Frequency of Application

When used monthly, FRONTLINE Plus completely breaks the flea life cycle and controls tick and chewing lice infestations. Do not reapply FRONTLINE Plus for 30 days.

FRONTLINE Plus kills adult fleas, flea eggs, and flea larvae for up to six weeks. FRONTLINE Plus also prevents development of all flea stages for up to six weeks. FRONTLINE Plus can control fleas for up to six weeks, however, if there is a high risk of reinfestation or if the cat has fleas which may cause flea allergy dermatitis, a once monthly application may be needed.

FRONTLINE Plus kills ticks for at least one month. A once monthly application is recommended where tick control is needed. FRONTLINE Plus kills all life stages of ticks (larva, nymph and adult). FRONTLINE Plus kills ticks that may transmit Lyme disease, Rocky Mountain spotted fever, ehrlichiosis, babesiosis, anaplasmosis, haemobartonellosis and other tick-borne diseases.

FRONTLINE Plus kills chewing lice for at least one month. A once monthly application is recommended where chewing lice control is needed.

FRONTLINE Plus kills mosquitoes within 24 hours for up to 14 days, and within 48 hours for up to 28 days, with a monthly application.



Please call our experts at  
**1-800-660-1842**  
Monday-Friday,  
8am-8pm EST with any  
questions or comments  
about flea, tick, chewing  
lice, or mosquito control  
or FRONTLINE Plus.



Merial Limited  
3239 Satellite Blvd.  
Duluth, GA 30096-4640, USA  
MADE IN FRANCE

©FRONTLINE is a registered  
trademark of Merial.  
©2011 Merial Limited, Duluth, GA.  
All rights reserved.

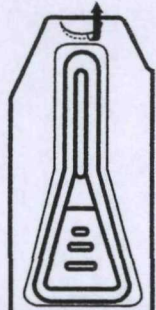
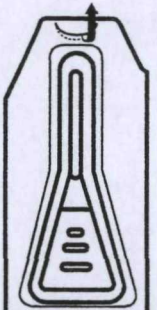
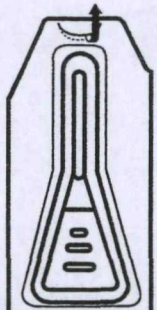
LOT NO: x000000xx  
EPA Reg. No. 65331-4  
EPA Est. 00000-XX-0\*



For cat use only

\* Toulouse: EPA Est. 65331-FR-2  
Ivers Lee: EPA Est. 74528-CHE-1



 <p><b>FRONTLINE<sup>®</sup> Plus</b></p>	 <p><b>FRONTLINE<sup>®</sup> Plus</b></p>	 <p><b>FRONTLINE<sup>®</sup> Plus</b></p>
<p><b>MERIAL</b></p> <p>TO REMOVE APPLICATOR: Lift and remove the plastic tab to expose foil backing; then peel away the foil. Or use scissors to open.</p>	<p><b>MERIAL</b></p> <p>TO REMOVE APPLICATOR: Lift and remove the plastic tab to expose foil backing; then peel away the foil. Or use scissors to open.</p>	<p><b>MERIAL</b></p> <p>TO REMOVE APPLICATOR: Lift and remove the plastic tab to expose foil backing; then peel away the foil. Or use scissors to open.</p>
<p>0.017 fl oz Lot #</p> <p><b>CAT</b></p>	<p>0.017 fl oz Lot #</p> <p><b>CAT</b></p>	<p>0.017 fl oz Lot #</p> <p><b>CAT</b></p>



90711

**MERIAL**

Customer Service: 1-800-4-A-Pet  
Knoxville, Tennessee 37137

▼  
**ONLY  
FOR  
CATS  
AND  
KITTENS**



0.017 fl oz

**FRONTLINE**<sup>®</sup>  
*Plus*

Keep out of reach of children  
See full label for  
additional directions

**CAUTION**

EPA Reg. No. 65331-4



# FRONTLINE® Plus FOR CATS

For use **ONLY** on **CATS & KITTENS** 8 weeks or older:  
Fast-acting, long-lasting, waterproof treatment and control of  
fleas, flea eggs & larvae, ticks, chewing lice and mosquitoes.

#### ACTIVE INGREDIENTS

fipronil: .....	9.8%
(S)-methoprene .....	11.8%
<b>INERT INGREDIENTS</b> .....	<b>78.4%</b>
<b>TOTAL</b> .....	<b>100.0%</b>

### KEEP OUT OF REACH OF CHILDREN CAUTION

#### FRONTLINE® Plus for Cats:

##### Fleas

- Kills fleas, flea eggs and flea larvae
- Prevents all flea stages (eggs, larvae, pupae) from developing
- Stops existing infestations and prevents establishment of new infestations
- Kills fleas which may cause flea allergy dermatitis

##### Ticks

- Kills all life stages of ticks (larva, nymph and adult), including brown dog ticks (*Rhipicephalus sanguineus*), American dog ticks (*Dermacentor variabilis*), lone star ticks (*Amblyomma americanum*) and deer ticks (*Ixodes scapularis*)
- Kills ticks that may transmit Lyme disease, haemobartonellosis, ehrlichiosis, babesiosis, anaplasmosis and other tick-borne diseases

##### Lice

- Rapidly eliminates chewing lice infestations

##### Mosquitoes

- Kills mosquitoes

FRONTLINE Plus is approved for use on all cats, including:

- Breeding, pregnant, and lactating queens
- Kittens as young as 8 weeks

#### One spot application is all that's needed:

FRONTLINE Plus spreads from the single point of applicator, rapidly covering the entire cat and localizing in the hair, on the surface of the skin and in the sebaceous glands. These glands act as a reservoir, continuously replenishing FRONTLINE Plus onto the skin and hair coat, so it keeps working even if the cat gets wet. Fleas, ticks, and chewing lice are killed quickly after coming into contact with a treated cat. Fleas and ticks do not need to bite the cat in order to die.

#### DIRECTIONS FOR USE

It is a violation of Federal Law to use this product in a manner inconsistent with its labeling. Do not allow children to apply product. **TO PREVENT HARM TO YOU AND YOUR PET, READ ENTIRE LABEL AND DIRECTIONS BEFORE EACH USE. FOLLOW ALL DIRECTIONS AND PRECAUTIONARY STATEMENTS CAREFULLY. USE ON CATS ONLY. DO NOT USE ON RABBITS. DO NOT USE ON OTHER ANIMALS.**

To kill fleas, flea eggs & larvae, ticks, chewing lice and mosquitoes: apply FRONTLINE Plus for Cats as follows:

- To **REMOVE** Applicator: Lift and remove the plastic tab to expose foil backing; then peel away the foil. Or use scissors to open.
- **OPEN** Applicator

Hold upright with foil side toward you and snap applicator tip.

- **APPLY** FRONTLINE Plus

Part the cat's hair above the shoulder blades, at the base of the neck. Place the applicator tip just above the skin and squeeze. Apply entire contents of the applicator in a single spot directly onto the cat's skin. Do not apply on top of the hair coat. Avoid contact with treated area until dry.



057 000000

FRONT

FRONTLINE Plus for Cats is approved for use on all cats, including breeding, pregnant, and lactating queens and kittens as young as 8 weeks.

FRONTLINE Plus remains effective even after bathing, water immersion, or exposure to sunlight.

#### FREQUENCY OF APPLICATION

When used monthly, FRONTLINE Plus completely breaks the flea life cycle and controls tick and chewing lice infestations. Do not reapply FRONTLINE Plus for 30 days.

FRONTLINE Plus kills adult fleas, flea eggs, and flea larvae for up to six weeks. FRONTLINE Plus also prevents development of all flea stages for up to six weeks. FRONTLINE Plus can control fleas for up to six weeks, however, if there is a high risk of reinfestation or if the cat has fleas which may cause flea allergy dermatitis, a once monthly application may be needed.

FRONTLINE Plus kills ticks for at least one month. A once monthly application is recommended where tick control is needed. FRONTLINE Plus kills all life stages of ticks (larva, nymph and adult). FRONTLINE Plus kills ticks that may transmit Lyme disease, haemobartonellosis, ehrlichiosis, babesiosis, anaplasmosis and other tick-borne diseases.

FRONTLINE Plus kills chewing lice for at least one month. A once monthly application is recommended where chewing lice control is needed.

FRONTLINE Plus kills mosquitoes within 24 hours for up to 14 days, and within 48 hours for up to 28 days with a monthly application.

#### STORAGE AND DISPOSAL

Do not contaminate water, food, or feed by storage and disposal.

**STORAGE.** Store unused product in original container only, out of reach of children and animals.

**PESTICIDE DISPOSAL. If partly filled:** Call your local solid waste agency or 1-800-CLEANUP for disposal instructions. Never place unused product down any indoor or outdoor drain.

**CONTAINER DISPOSAL. If empty:** Nonrefillable container. Do not reuse or refill this container. Place in trash or offer for recycling if available.

#### FIRST AID

Have the product container or label with you when calling a poison control center or doctor, or going for treatment.

**IF SWALLOWED:** Call a poison control center or doctor immediately for treatment advice. Have person sip a glass of water if able to swallow. Do not induce vomiting unless told to do so by a poison control center or doctor. Do not give anything by mouth to an unconscious person.

**IF IN EYES:** Hold eye open and rinse slowly and gently with water for 15-20 minutes. Remove contact lenses, if present, after the first 5 minutes, then continue rinsing eye. Call a poison control center or doctor for treatment advice.

**IF ON SKIN OR CLOTHING:** Take off contaminated clothing. Rinse skin immediately with plenty of water for 15-20 minutes. Call a poison control center or doctor for treatment or advice.

#### PRECAUTIONARY STATEMENTS

##### HAZARDS TO HUMANS. CAUTION.

Harmful if swallowed. Causes eye irritation. Avoid contact with skin, eyes or clothing. Wash hands thoroughly with soap and water after handling and before eating, drinking, chewing gum, or using tobacco.

##### HAZARDS TO DOMESTIC ANIMALS.

For external use only. Do not use on kittens under 8 weeks of age. Individual sensitivities, while rare, may occur after using any pesticide product. Pets may experience some temporary irritation at the site of product application. If signs persist, or become more severe within a few days of application, consult a veterinarian immediately. Certain medications can interact with pesticides. Consult a veterinarian before using on medicated, debilitated or aged animals. Call 1-800-660-1842, Monday-Friday, 8am-8pm EST.

#### PHYSICAL OR CHEMICAL HAZARDS

**COMBUSTIBLE:** Do not use or store near heat or open flame.

#### WARRANTY

To the extent consistent with applicable law, seller makes no warranty, expressed or implied, concerning the use of this product other than indicated on the label. Buyer assumes all risk of use and handling of this material when such use and handling are contrary to label instructions.

EPA Reg. No. 65331-4

Merial Limited  
3239 Satellite Blvd.  
Duluth, GA 30096-4640, USA

®FRONTLINE is a registered trademark of Merial.  
©2011 Merial Limited, Duluth, GA. All rights reserved.



BACK

100 of 11



# FRONTLINE®

**Some tips and other information**

- ✓ To successfully control fleas and ticks, all dogs and cats must be treated with their own dose of FRONTLINE®.
- ✓ Apply according to label instructions, ensuring the product is applied to the skin, not on top of the fur and not near the collar. It may be helpful to remove the collar before application, so it doesn't absorb the product.
- ✓ Remember, your pet needs to be dry at the time FRONTLINE is applied and remain dry 24 hours after application.
- ✓ Verify pipette is empty after application (multiple squeezes may be necessary to apply the entire dose).
- ✓ Even indoor pets need flea and tick control because you or other pets in the house/old may bring fleas into the home. These fleas can lead to a flea infestation.

**FLEAS: What you need to know**

It can take up to **3 months** to get rid of a serious flea infestation because of all of the flea life stages that existed **BEFORE** you started using FRONTLINE.

The adult fleas on your pet may just be the tip of the infestation iceberg.

The average flea life cycle in the home is about 21 days long.

Front

**Calendar Reminder stickers**

**Don't forget to re-purchase!**

**To ensure continued protection of your pets, use these stickers as a reminder to apply and re-purchase FRONTLINE.**

After treating your pet for the first time, peel off the sticker and place on your calendar that day.

Place the remaining stickers on your calendar as a reminder to apply FRONTLINE: monthly.

**QUESTIONS?**  
Contact your veterinarian or call our technical experts at **1-800-660-1842**, Monday-Friday, 8am-8pm. For more information, visit [www.FRONTLINE.com](http://www.FRONTLINE.com)

**MERIAL**

©FRONTLINE is a registered trademark of Merial.  
©2011 Merial Limited, Duluth, GA.  
All rights reserved.

**6 Months**  
use all 6 stickers

**3 Months**

037 000000

\*7000000\*

Back with stickers