

UNITED STATES ENVIRONMENTAL PROTECTION AGENCY

JUN 26 1998

Eric H. Tamichi
Valent U.S.A. Corporation
1333 N. California Blvd., Ste. 600
Walnut Creek, CA 94596

Dear Mr. Tamichi:

Subject: Revise Labeling to Incorporate Approved Uses
On Alfalfa, Dry Beans, Peanuts, and Tomatoes
Select Herbicide
EPA Registration No. 59639-78
Your Submission Dated March 18, 1998

The labeling referred to above, submitted in connection with registration under the Federal Insecticide, Fungicide, and Rodenticide Act, as amended, is acceptable with the following provision:

Revise the restricted-entry interval (REI) present in the Agricultural Use Requirements box to restrict against entry into treated areas for 24 hours after application.

A stamped copy is enclosed for your records. Please submit one (1) final printed copy for the referenced label, incorporating the above change, before releasing the product for shipment.

Sincerely yours,

Joanne I. Miller
Product Manager (23)
Herbicide Branch
Registration Division (7505C)

Enclosure

DK: 305-7546: HB / PM23

CONCURRENCES

SYMBOL ▶	7505C							
SURNAME ▶	D. KENNY							
DATE ▶	6/26/98							



ACCEPTED
with COMMENTS
In EPA Letter Dated

JUN 26 1998

Under the Federal Insecticide,
Fungicide, and Rodenticide Act
as amended, for the pesticide
registered under EPA Reg. No.
59639-78

SELECT® HERBICIDE

Active Ingredient	By Wt.
*Clethodim	12.6%
Inert Ingredients	87.4%
Contains Petroleum Distillates	
* (E)-2[1-[[[3-chloro-2-propenyl]oxy]imino]propyl]-5-[2-(ethylthio)propyl]-3-hydroxy-2-cyclohexen-1-one	

Contains 0.94 lbs. clethodim per gal.

U.S. Pat. No. 4,440,566 R.E. 32,489

KEEP OUT OF REACH OF CHILDREN

WARNING - AVISO

SEE BACK PANEL FOR ADDITIONAL PRECAUTIONARY STATEMENTS
Si usted no entiende la etiqueta, busque a alguien para que se la explique a usted en detalle. (If you do not understand the label, find someone to explain it to you in detail.)

NET CONTENTS 1 GALLON

PRECAUTIONARY STATEMENTS
HAZARDS TO HUMANS & DOMESTIC ANIMALS
WARNING

Causes substantial but temporary eye injury. Causes skin irritation. Harmful if swallowed or inhaled. Do not get in eyes, on skin, or on clothing. Avoid breathing vapors or spray mist.

STATEMENT OF PRACTICAL TREATMENT

If in eyes: Flush with plenty of water. Get medical attention.
If on skin: Wash with plenty of soap and water. Get medical attention if irritation persists.
If swallowed: Give water or milk to drink and telephone for medical advice. DO NOT make person vomit unless directed to do so by medical personnel. If medical advice cannot be obtained, then take person and product container to the nearest medical emergency treatment center or hospital.

If inhaled: Remove person from exposure area.

Note to Physicians: Emergency Information call 1-800-892-0099. This product contains a light petroleum solvent, and an aspiration hazard may exist.

Personal Protective Equipment (PPE):

Some materials that are chemical-resistant to this product are listed below. If you want more options, follow the instructions for category G on an EPA chemical resistance category selection chart.

Applicators and other handlers must wear: Coveralls over short-sleeved shirt and short pants, chemical-resistant gloves, such as Barrier Laminate or Viton ≥ 14 mils, chemical-resistant footwear plus socks, protective eyewear, chemical-resistant headgear for overhead exposure and chemical-resistant apron when cleaning equipment, mixing, or loading.

Follow manufacturer's instructions for cleaning/maintaining PPE. If no such instructions for washables, use detergent and hot water. Keep and wash PPE separately from other laundry.

USER SAFETY RECOMMENDATIONS
<p>Users should:</p> <ul style="list-style-type: none"> • Wash hands before eating, drinking, chewing gum, using tobacco or using the toilet. • Remove clothing immediately if pesticide gets inside. Then wash thoroughly and put on clean clothing. • Remove PPE immediately after handling this product. Wash the outside of gloves before removing. As soon as possible, wash thoroughly and change into clean clothing.

ENVIRONMENTAL HAZARDS

Do not apply directly to water, to areas where surface water is present or to intertidal areas below the mean high water mark. Do not apply where runoff is likely to occur. Do not apply where weather conditions favor drift from areas treated. Do not contaminate water when disposing of equipment washwater or rinsate.

The use of this product may pose a hazard to the federally designated endangered species of Solano Grass and Wild Rice. Use of this product is prohibited in the following areas where the species are known to exist:

Solano Grass: Solano County, California: the vernal lakes area bounded by the Union Pacific Railroad and Hastings Road to the north, Highway 113 to the east, Highway 12 to the south, and Travis Air Force Base to the west.

Wild Rice: Hays County, Texas.

PHYSICAL OR CHEMICAL HAZARDS

Do not use or store near heat or open flame.

DIRECTIONS FOR USE

It is a violation of Federal Law to use this product in a manner inconsistent with its labeling.

READ ENTIRE LABEL AND PAMPHLET. USE STRICTLY IN ACCORDANCE WITH PRECAUTIONARY STATEMENTS AND DIRECTIONS, AND WITH APPLICABLE STATE AND FEDERAL REGULATIONS.

Do not apply this product in a way that will contact workers or other persons; either directly or through drift. Only protected handlers may be in the area during application. For any requirements specific to your State or Tribe, consult the agency responsible for pesticide regulation.

AGRICULTURAL USE REQUIREMENTS

Use this product only in accordance with its labeling and with the Worker Protection Standard, 40 CFR part 170. This Standard contains requirements for the protection of agricultural workers on farms, forests, nurseries, and greenhouses, and handlers of agricultural pesticides. It contains requirements for training, decontamination, notification, and emergency assistance. It also contains specific instructions and exceptions pertaining to the statements on this label about personal protective equipment (PPE), and restricted-entry interval. The requirements in this box only apply to uses of this product that are covered by the Worker Protection Standard.

Do not enter or allow worker entry into treated areas during the restricted-entry interval (REI) of 12 hours.

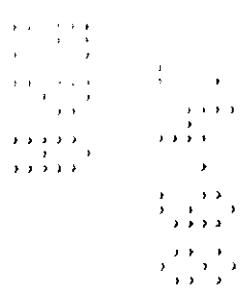
PPE required for early entry to treated areas that is permitted under the Worker Protection Standard and that involves contact with anything that has been treated, such as plants, soil, or water, is: coveralls over short-sleeved shirt and short pants, chemical-resistant gloves, such as Barrier Laminate or Viton ≥ 14 mils, chemical-resistant footwear plus socks, protective eyewear and chemical-resistant headgear for overhead exposure.

NON-AGRICULTURAL USE REQUIREMENTS

The requirements in this box apply to uses of this product that are NOT within the scope of the Worker Protection Standard for agricultural pesticides (40 CFR Part 170). The WPS applies when this product is used to produce agricultural plants on farms, forests, nurseries, or greenhouses.

Keep all unprotected persons out of operating areas, or vicinity where there may be drift.

Do not enter treated areas without protective clothing until sprays have dried.



**DISCLAIMER, CONDITIONS OF SALE,
LIMITED WARRANTY
AND LIMITATION OF LIABILITY**

IMPORTANT: Read the entire Label including this Disclaimer, Limited Warranty and Limitation of Liability before using this product. If the terms are not acceptable, return the unopened product within 15 days of purchase.

RISKS OF USING THIS PRODUCT

It is impossible to eliminate all risks associated with the use of this product. Such risks include, but are not limited to, injury to plants and crops to which this product is applied, lack of control of the target pests or weeds, resistance, injury caused by drift, and injury to rotational crops caused by carryover in the soil. Such risks of crop injury, non-performance or other unintended consequences are unavoidable and may result because of such factors as weather, soil conditions, moisture conditions, irrigation practices, presence of other materials, cultural practices or the manner of use or application, all of which are factors beyond the control of Valent. **All such risks shall be assumed by the Buyer.** Valent shall not be responsible for losses or damages resulting from use of this product in any manner not set forth on the label. User assumes all risks associated with the use of this product in any manner or under conditions not specifically directed or approved on the label.

LIMITED WARRANTY

Valent warrants that this product conforms to the chemical description on the label and is reasonably fit for the purposes stated in the label, under average use conditions, when used strictly in accordance with the label and subject to the Risks of Using This Product described above.

DISCLAIMER OF ALL OTHER WARRANTIES

VALENT MAKES NO OTHER EXPRESS OR IMPLIED WARRANTY OF FITNESS OR OF MERCHANTABILITY OR ANY OTHER EXPRESS OR IMPLIED WARRANTY. No agent or representative of Valent or Seller is authorized to make or create any other express or implied warranty.

LIMITATION OF LIABILITY

In no event shall Valent or Seller be liable for any incidental, consequential, indirect or special damages resulting from the use or handling of this product. **THE EXCLUSIVE REMEDY OF THE USER OR BUYER, AND THE EXCLUSIVE MAXIMUM LIABILITY OF VALENT OR SELLER FOR ANY AND ALL CLAIMS, LOSSES, INJURIES OR DAMAGES (INCLUDING CLAIMS BASED ON BREACH OF WARRANTY, CONTRACT, NEGLIGENCE, TORT, STRICT LIABILITY OR OTHERWISE) RESULTING FROM THE USE OR HANDLING OF THIS PRODUCT SHALL BE THE RETURN OF THE PURCHASE PRICE OF THIS PRODUCT OR, AT THE ELECTION OF VALENT OR SELLER, THE REPLACEMENT OF THIS PRODUCT.**

NO AMENDMENTS

Valent and Seller offer this product, and Buyer and User accept it, subject to the foregoing Disclaimer, Conditions of Sale, Limited Warranty and Limitation of Liability, which may not be modified by any oral or written agreement.

PROMPT NOTICE OF CLAIM

Valent must have prompt notice as soon as Buyer or User has reason to believe they may have a claim (not to exceed twenty-one days from date of application) so that an immediate inspection of the affected property and growing crops can be made. Unless Buyer and Users shall promptly notify Valent of any claims, they shall be barred from obtaining any remedy.

TANK MIXES

NOTICE: Tank mixing or use of this product with any other product which is not specifically and expressly authorized by the label shall be the exclusive risk of user, applicator and/or application advisor.

Read and follow the entire label of each product to be used in the tank mix with this product.

GENERAL INFORMATION

Do not apply this product through any type of irrigation system.

FOR USE ON: Soybeans, Cotton, Ornamentals, Sugar beets, Onions (dry bulbs only), Garlic, Shallots (dry bulbs only), Tomatoes, Alfalfa, Peanuts, Dry Beans, Conifer Trees, Non-Bearing Food Crops, Fallow Land (and other non-producing agricultural areas), and Non-Crop or Non-Planted Areas.

SELECT Herbicide is a selective postemergence herbicide for control of annual and perennial grasses. SELECT Herbicide does not control sedges or broadleaf weeds.

Repeated use of SELECT Herbicide (or similar postemergence grass herbicide with the same mode of action) may lead to the selection of naturally occurring biotypes that are resistant to these products in some grass species.

If poor performance occurs and cannot be attributed to adverse weather or applications conditions, a resistant biotype may be present. This is most likely to occur in fields where other control strategies such as crop rotation, mechanical removal, and other classes of herbicides are not used from year to year.

- Do not allow SELECT Herbicide to come in contact with desirable grass crops such as corn, rice, sorghum, small grains, or turf, as these and other grass crops will be injured or killed. Minor leaf spotting may occur on treated plants under certain environmental conditions. New foliage is not affected.

Control Symptoms

Treated grass weeds show a reduction in vigor and growth. Early chlorosis/necrosis of younger plant tissue is followed by a progressive collapse of the remaining foliage. Symptoms will generally be observed in 7 to 14 days depending on grass species treated and environmental conditions.

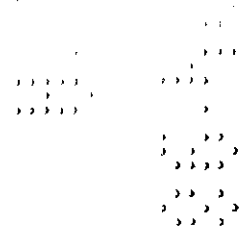
APPLICATION INFORMATION

Timing of Applications

Apply SELECT Herbicide postemergence to actively growing grasses according to rate table recommendations. Applications made to grass plants stressed by insufficient moisture or cold temperatures, or to grass plants exceeding recommended growth stages may result in unsatisfactory control. Do not apply under these conditions.

) In arid regions where irrigation is used to supplement limited rainfall, SELECT Herbicide should be applied as soon as possible after an irrigation (within 7 days). In arid regions, a second application of SELECT Herbicide will generally provide more effective control of perennial grass weeds than a single application. Make second application to actively growing grass 2 to 3 weeks after emergence of new growth.

Cultivation of treated grasses 7 days prior to or within 7 days after application of SELECT Herbicide may reduce weed control. DO NOT APPLY SELECT Herbicide if rainfall is expected within one hour, since control may be reduced.



Addition Of Adjuvant Or Crop Oil Concentrate

CROP	ADJUVANT RECOMMENDATIONS
Cotton	Always use a crop oil concentrate containing at least 15% emulsifier at 1% v/v (but not less than 1 pint per acre) to the finished spray volume.
Soybeans	Always use a crop oil concentrate containing at least 15% emulsifier at 1% v/v (but not less than 1 pt. per acre) in the finished spray volume. 1 to 2 qts./A of liquid fertilizer (10-34-0, 28%N or 32%N), or an equivalent amount (2.5 to 4.0 lbs./A) of spray grade ammonium sulfate (AMS) may be added to SELECT Herbicide applications.
Sugar beets, Onions (dry bulbs only), Garlic and Shallots (dry bulbs only), Tomatoes, Alfalfa, Peanuts, Dry Beans	Use a crop oil concentrate containing at least 15% emulsifier at 1% v/v to finished spray volume unless tank mix instructions indicate otherwise.
Ornamental Plants	Add non-ionic surfactant containing at least 80% active ingredient at the rate of 1 pt. per 50 gals. (0.25% v/v). Use of crop oil concentrate is not recommended since it may injure flowers and foliage.
Conifer Trees, Non-Bearing Food Crops, Fallow Land (and other non-producing agricultural areas), and Non-Crop or Non-Planted Areas	Always use a crop oil concentrate containing at least 15% emulsifier at 1% v/v (but not less than 1 pint per acre) in the finished spray volume.

Ground Application

Use of sufficient spray volumes and pressure is essential to ensure complete coverage. Use a minimum of 5 gals. and a maximum of 40 gals. of spray solution per acre. Under the following conditions a minimum of 10 gals. per acre is required: narrow row soybeans, broadleaf herbicide tankmixes, perennial grasses, volunteer corn, drought or stress conditions, heavy grass pressure or when grasses are at or near maximum height. Failure to use a minimum of 10 gals. per acre under these conditions can result in poor coverage and reduced grass control requiring repeat applications. Spray pressures should reflect a minimum of 30 psi and a maximum of 60 psi at the nozzle. Do not use flood nozzles. Applications to onions, garlic, and shallots should be made in a minimum of 20 gals. of spray solution per acre.

Air Application

Use a minimum of 3 gals. of spray solution per acre. Increase spray volumes up to 10 gals. as grass or crop foliage becomes dense. Applications to onions, garlic, and shallots should be made in a minimum of 20 gals. of spray solution per acre. **NOTE:** Crop injury may occur when SELECT Herbicide is applied to onions, garlic, or shallots with aerial equipment.

Spot Treatment

When using hand sprayers or high volume sprayers utilizing hand guns, mix ½% to 1% (0.65 oz. to 1.3 oz. per gal.) SELECT Herbicide and treat to wet vegetation, while not allowing runoff of spray solution. For uses requiring crop oil concentrate, include crop oil concentrate at 1% (1.3 oz. per gal.) by volume. For uses requiring non-ionic surfactant, include non-ionic surfactant at ¼% (0.33 oz. per gal.) by volume. **NOTE:** If SELECT HERBICIDE is applied as a spot treatment to onions, garlic, or shallots, care should be taken to not exceed the maximum rate allowed on a "per acre" basis or crop injury may occur.

RESTRICTIONS AND LIMITATIONS

GENERAL

Do not apply if rain is expected within 1 hour of application as control may be unsatisfactory.

Do not apply a postemergence broadleaf herbicide within one day following application of SELECT Herbicide or reduced grass control may result.

Do not apply more than 68 fl. oz. of SELECT Herbicide (0.5 lb. ai) per acre per season. Application on Long Island, New York, is restricted to no more than 34 fl. oz. of SELECT Herbicide (0.25 lb. ai) per acre per season.

Do not apply under conditions of stress. Applying SELECT Herbicide under conditions that do not promote active grass growth will reduce herbicide effectiveness. These conditions include drought, excessive water, extremes in temperature, and low humidity. Grasses under these kinds of stressful conditions will not absorb and translocate SELECT Herbicide effectively, and will be less susceptible to herbicide activity.

Best perennial grass control can be obtained if rhizomes or stolons are cut up by preplant tillage practices (discing, plowing, etc.) to stimulate maximum emergence of grass shoots. Cultural practices such as continuous no-tillage in which the perennial grass rhizomes or stolons are not cut up results in a very staggered, non-uniform weed emergence. No fewer than two SELECT Herbicide applications per season per year are recommended at the appropriate weed-growth stage rate under continuous no-till conditions.

Grass crops such as corn, sorghum, wheat, rice, etc. are highly sensitive to SELECT Herbicide.

Always read and follow the restrictions and limitations for all products whether used alone or in a tank mix. The most restrictive labeling of any product used applies in tank mixtures, including all crop rotational and other crop restrictions.

Tank mixes of SELECT Herbicide and broadleaf herbicides may result in reduced grass control. If grass regrowth occurs an additional application of SELECT Herbicide may be necessary.

AVOID SPRAY DRIFT

Do not allow spray from ground or aerial equipment to drift onto adjacent land or crops. When drift may be a problem, do everything possible to reduce spray drift, including:

- Do not spray if wind speeds are or become excessive. Do not spray if wind speed is 10 MPH or greater. If sensitive crops or plants are downwind, extreme caution must be used under all conditions. Do not spray if winds are gusty.
- Use extreme caution when conditions are favorable for drift (high temperatures, drought, low relative humidity), especially when sensitive plants are located nearby.
- Do not apply when a temperature inversion exists. If inversion conditions are suspected, consult with local weather services before making an application.
- Further reductions in drift can be obtained by:
 1. Using large droplet size sprays. Do not use nozzles that produce small droplets. Orient nozzles downward and slightly backward as needed to reduce drift for ground applications.
 2. Orienting nozzles straight back with the windstream, using straight stream orifices for aerial applications. Use the lowest number of nozzles practical with the largest possible orifice size to obtain the minimum 3 GPA volume. Application height and boom length should be set according to manufacturer's instructions to minimize drift.
 3. Increasing the volume of spray mixture (for example a minimum of 10 GPA for ground applications) by using higher flow rate nozzles. Using lower pressure with the appropriate nozzle to obtain higher volumes will also reduce drift.
 4. Apply as close to target plants as practical while maintaining a good spray pattern for adequate coverage.

Do not apply under conditions involving possible drift to food, forage or other plantings that might be damaged or the crops thereof rendered unfit for sale, use or consumption.

COTTON AND SOYBEANS

Do not graze treated fields or feed treated forage or hay to livestock.

Do not apply SELECT within 60 days of harvest.

SUGAR BEETS

Do not apply SELECT Herbicide within 100 days of sugar beet harvest.

**ONION (DRY BULBS ONLY), GARLIC, AND SHALLOTS
(DRY BULBS ONLY)**

Do not apply SELECT Herbicide within 45 days of onion (dry bulbs only), garlic, or shallot (dry bulbs only) harvest.

Recommend 14 day spray intervals between the application of SELECT Herbicide and Liquid Nitrogen or other herbicide applications. Injury to crop may occur when shorter intervals are observed.

TOMATOES

Do not apply SELECT Herbicide within 20 days of tomato harvest.

ALFALFA

SELECT Herbicide may be applied to seedling or established alfalfa (including sainfoin, holy clover, and birdsfoot trefoil) grown for seed, hay, silage, green chop, or direct grazing.

Do not apply SELECT Herbicide within 15 days of grazing, feeding, or harvesting (cutting) alfalfa for forage or hay.

Do not apply SELECT Herbicide and 2,4-DB as a tank mix unless the 60 day feeding, grazing, and harvesting restriction on the 2,4-DB label can be observed.

Do not plant rotational crops until 30 days after application of SELECT Herbicide.

DRY BEANS

Do not apply SELECT Herbicide within 30 days of dry bean harvest (cutting or pulling plants from ground).

PEANUTS

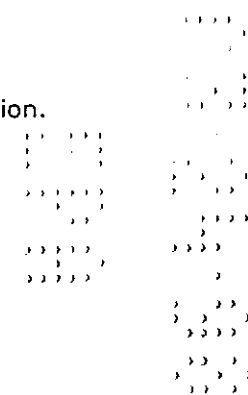
Do not apply SELECT Herbicide within 40 days of peanut harvest (cutting vines or digging peanuts from ground).

FALLOW LAND (AND OTHER NON-PRODUCING AGRICULTURAL AREAS)

Do not plant any crop for 30 days after application unless clethodim is registered for use in that crop.

ORNAMENTALS

Sugar maples cannot be tapped for syrup within one year of SELECT application.



DIRECTIONS FOR USE IN SOYBEANS, COTTON, SUGAR BEETS, ONIONS (DRY BULBS ONLY), GARLIC, SHALLOTS (DRY BULBS ONLY), TOMATOES, ALFALFA, PEANUTS, DRY BEANS, CONIFER TREES, NON-BEARING FOOD CROPS, AND NON-CROP OR NON-PLANTED AREAS

IMPORTANT

Plant tolerance to SELECT Herbicide at labeled rates has been found to be acceptable for the indicated genera and species listed below. Due to variability within species, crop growth stage, environmental conditions, and application techniques, it is recommended that the user determine if herbicide can be used safely on a few plants prior to widespread application. Neither the seller nor the manufacturer of SELECT Herbicide have investigated the safety factor to plants not listed on the label.

The following plants have shown a tolerance for SELECT Herbicide applications:

NON-BEARING FOOD CROPS

Non-bearing fruit and nut crops are plants which will not bear fruit or nuts for at least one year following SELECT Herbicide application.

COMMON NAME	SCIENTIFIC NAME
Apples	Malus spp.
Berries	Vaccinium spp. Rubus spp.
Cherry, Sweet	Prunus avium
Citrus Fruits	Citrus spp.
Grapes	Vitis spp.
Olives	Olea spp.
Peach	Prunum persica
Pears	Pyrus communis
Prunes	Prunus spp.
Stone Fruits	Prunus spp.
Strawberries	Fragaria spp.
Tree Nuts	Juglans spp. (walnut) Carya illinoensis (pecan) Pistacia vera (pistachio) Prunus dulcis (almond) Corylus maxima (filbert)

CONIFER TREES

SELECT Herbicide can be used to control labelled grasses in Christmas tree farms, conifer nurseries, and conifer plantations (but not in forests).

COMMON NAME	SCIENTIFIC NAME
Arborvitae, American	Thuja occidentalis
Cedars	Cedrus spp.
Cypress	Taxodium spp.
Douglas Fir	Pseudotsuga menziesii
Firs	Abies spp.
Hemlock, Canadian	Tsuga canadensis
Hemlock, Western	Tsuga heterophylla
Pines	Pinus spp.
Spruces	Picea spp.
Yew	Taxus spp.

NON-CROP OR NON-PLANTED AREAS

The following areas are considered non-crop or non-planted areas:
Rights-of-way including railroads, highways, roads, dividers, medians, pipelines, public utility

lines, pumping stations, transformer stations and substations. Around airports, electric utilities, commercial buildings, manufacturing plants, storage yards, rail yards, fence lines, parkways, ornamental gardens, walkways, and patios. Also beneath greenhouse benches, along driveways, and around golf courses.

RECOMMENDATIONS FOR ANNUAL GRASSES

- Apply only to actively growing grasses at recommended weed heights.
- Apply when the first grass weed species in a mixed grass weed population reaches the recommended growth stage for treatment.
- Use the high rate under heavy grass pressure and/or when grasses are at maximum height.
- For the control of annual grasses in seedling alfalfa use 13 to 17 fl. oz. per acre. For the control of annual grasses in established alfalfa use a minimum of 17 fl. oz. per acre.

GRASS SPECIES		WEED* HEIGHT INCHES	RATE FL. OZ. ACRE	HIGH RATE
Barnyardgrass	Echinochloa crus-galli	2-8	13	17
Broadleaf Signalgrass	Brachiaria platyphylla	2-6	13	17
Brome				
California	Bromus carinatus	2-6	13	17
Cheatgrass	Bromus secalinus	2-6	13	17
Downy	Bromus tectorum	2-6	13	17
Ripgut	Bromus diandrus	2-6	13	17
Crabgrass				
Hairy	Digitaria adscendens	2-6**	13	17
Large	Digitaria sanguinalis	2-6**	13	17
Smooth	Digitaria ischaemum	2-6**	13	17
Southern	Digitaria ciliaris	2-6**	13	17
Crowfootgrass	Dactyloctenium aegyptium	2-6**	13	17
Fall Panicum	Panicum dichotomiflorum	2-8	13	17
Field Sandbur	Cenchrus incertus	2-6	13	17
Foxtail				
Giant	Setaria faberi	2-12	13	17
Green	Setaria viridis	2-8	13	17
Yellow	Setaria glauca	2-8	13	17
Goosegrass	Eleusine indica	2-6**	13	17
Itchgrass	Rottboellia exaltata	2-6	13	17
Junglerice	Echinochloa colona	2-6	13	17
Lovegrass (Stinkgrass)	Eragrostis cilanensis	2-6	13	17
Red Rice	Oryza sativa	1-3	13	17
Rygrass				
Hardy	Lolium perenne	2-6	13	17
Italian	Lolium multiflorum	2-6	13	17
Seedling Johnsongrass	Sorghum halepense	4-10	13	17
Shattercane	Sorghum bicolor	6-18	13	17
Southwestern Cupgrass	Eriochloa gracilis	2-6	13	17
Sprangletop				
Amazon	Leptochloa panicoides	2-6	13	17
Bearded	Leptochloa fascicularis	2-6	13	17
Mexican	Leptochloa uninervia	2-6	13	17
Red	Leptochloa filiformis	2-6	13	17
Texas Panicum	Panicum texanum	2-6	13	17
Volunteer Cereals				
Barley	Hordeum vulgare	2-6	13	17
Oats	Avena sativa	2-6	13	17
Rye	Secale cereale	2-6	13	17
Wheat	Triticum aestivum	2-6	13	17
Volunteer Corn ²	Zea mays	4-12	8	13
Volunteer Corn (S.R.) ¹	Zea mays	4-12	8(suppression only)	
Volunteer Corn ²	Zea mays	12-24	13	17
Volunteer Grain Sorghum	Sorghum bicolor	8-12	13	17
Wild Oats	Avena fatua	2-6	13	17
Wild Proso Millet	Panicum miliaceum	2-10	13	17
Witchgrass	Panicum capillare	2-8	13	17
Woolly Cupgrass	Eriochloa villosa	2-8	13	17

* Generally occurs between 3-leaf stage and tillering.

** Length of lateral growth.

1. Sethoxydim resistant volunteer corn
2. Includes Roundup Ready®, Liberty Link® and IMI-CORN™ volunteer corn

RECOMMENDATIONS FOR ANNUAL BLUEGRASS CONTROL WITH SELECT HERBICIDE			
GRASS SPECIES	WEED STAGE	RATE FL. OZ. ACRE	HIGH RATE
Annual Bluegrass (Poa annua)	to 4-Leaf	13*	34
<p>Apply under favorable soil moisture and humidity which exists within a few days after rainfall or within 7 days after irrigation. Grass needs to be actively growing at time of application(s).</p> <p>Apply at weed stage indicated on the label, as reduced control can be expected with more mature annual bluegrass.</p> <p>Use the high rate under heavy grass pressure and / or when annual bluegrass is more mature.</p> <p>Always add a crop oil concentrate containing at least 15% emulsifier at 1% v/v (but not less than 1 pint per acre) to the finished spray volume.</p>			

* Use a minimum of 17 fl. oz. per acre to control annual bluegrass in seedling and established alfalfa.

**DIRECTIONS FOR USE IN SOYBEANS AT A REDUCED RATE
RECOMMENDATIONS FOR SMALL ANNUAL GRASSES**

GRASS SPECIES	WEED HEIGHT INCHES	RATE ⁽¹⁾ FL. OZ/ ACRE	
Barnyardgrass	Echinochloa crusgalli	1-4	8
Broadleaf Signalgrass	Brachiaria platyphylla	1-4	10
Crabgrass			
Large	Digitaria sanguinalis	1-3*	8
Large	Digitaria sanguinalis	1-4*	10
Smooth	Digitaria ischaemum	1-3*	8
Smooth	Digitaria ischaemum	1-4*	10
Southern	Digitaria ciliaris	1-4*	10
Fall Panicum	Panicum dichotomiflorum	1-4	8
Foxtail, Giant	Setaria faberi	1-4	8
Seedling Johnsongrass	Sorghum halepense	1-6	10
Shattercane	Sorghum bicolor	4-10	8
Texas Panicum	Panicum texanum	1-4	10
Wild Proso Millet	Panicum millaceum	1-6	8

*Length of lateral growth

(1) Always add a crop oil concentrate containing at least 15% emulsifier at 1% v/v (but not less than 1 pint per acre) to the finished spray volume.

**DIRECTIONS FOR USE IN SUGAR BEETS AT A REDUCED RATE
RECOMMENDATIONS FOR SMALL ANNUAL GRASSES**

GRASS SPECIES		WEED HEIGHT INCHES	RATE⁽¹⁾ FL. OZ/ ACRE
Barnyardgrass	Echinochloa crusgalli	1-4	10
Foxtail	Setaria spp.	1-4	10
Foxtail Millet	Setaria Italica	1-4	10
Shattercane	Sorghum bicolor	4-8	10
Wild Oats	Avena fatua	1-4	10
Wild Proso Millet	Panicum millaceum	1-6	10

(1) If grass regrowth occurs or an additional flush of new grass emerges, make a second application of SELECT Herbicide.

Always add a crop oil concentrate containing at least 15% emulsifier at 1% v/v (but not less than 1 pint per acre) to the finished spray volume.

RECOMMENDATIONS FOR PERENNIAL GRASSES

- Apply only to actively growing grasses at recommended weed heights.
- Apply when the first grass weed species in a mixed grass weed population reaches the recommended growth stage for treatment.
- Use the high rate under heavy grass pressure and/or when grasses are at maximum height.

GRASS SPECIES		WEED HEIGHT INCHES	RATE FL. OZ. ACRE	HIGH RATE
Bermudagrass				
(Cynodon dactylon)	3 (or up to			
First Application	6" runners)	17		34
Repeat Application(s)	3 (or up to			
(if regrowth occurs)	6" runners)	17		34
Fescue, tall				
(Festuca arundinacea)				
First Application	4-8	17		34
Repeat Application(s)				
(if regrowth occurs)	4-8	17		34
Foxtail Barley				
(Hordeum jubatum)				
First Application	2-6	17		34
Repeat Application				
(if regrowth occurs)	2-6	17		34
Orchardgrass				
(Dactylis glomerata)				
First Application	4-8	17		34
Repeat Application(s)				
(if regrowth occurs)	4-8	17		34
Quackgrass				
(Agropyron repens)				
First Application	4-12	17		34
Repeat Application(s)				
(if regrowth occurs)	4-12	17		34
Rhizome Johnsongrass				
(Sorghum halepense)				
First Application	12-24	17		34
Repeat Application(s)				
(if regrowth occurs)	6-18	13		17

Wirestem Muhly (Muhlenbergia frondosa)			
First Application	4-8	17	34
Repeat Application(s) (if regrowth occurs)	4-8	17	34

TANK MIXES

GENERAL INFORMATION

The labels for each of the herbicides recommended for tank mixing with SELECT Herbicide are unique to the characteristics of those products and contain restrictions and limitations that may be more restrictive than the SELECT Herbicide label in certain considerations. Those concerns may include, but are not limited to:

1. Geographic restrictions - all products are not registered for use in all areas and rates may vary from one region of labeled use to another;
2. Crop rotation restrictions;
3. Applicator certification requirements;
4. Worker safety rules (e.g. protective clothing, reentry time, posting);
5. Soil type or soil characteristics (e.g. pH, OM);
6. Maximum dosage or number of applications per season;
7. Rain free period required; or
8. Application timing (e.g. pre-harvest interval)
9. **DO NOT EXCEED A TOTAL OF 68 FL. OZ./ACRE (0.5 LB. AI/A) OF SELECT HERBICIDE PER SEASON, WHETHER APPLIED ALONE OR IN TANK MIX APPLICATIONS.**

THE MOST RESTRICTIVE LABELING OF ANY PRODUCT USED IN A TANK MIX MUST BE FOLLOWED.

TANK MIX APPLICATION OF SELECT HERBICIDE AND BROADLEAF HERBICIDES FOR CONTROL OF GRASSES AND BROADLEAF WEEDS

- Apply only to actively growing grass and broadleaf weeds at recommended height or growth stage listed on each label.
- Apply when the first grass or broadleaf weed species in a mixed population reaches the recommended height or growth stage for treatment.
- Apply under favorable soil moisture and humidity which exist a few days after rainfall or within seven days after irrigation.
- Always add the appropriate adjuvant to the spray mix at the rate recommended for each specific tank mix combination.
- Tank mix applications may sometimes result in reduced grass control and possible increases in crop injury as compared to either product used alone. If regrowth occurs, or an additional flush of new grass emerges, make a second application of SELECT Herbicide, as specified in the respective size and rate tables.
- Do not tank mix SELECT Herbicide when broadleaf weeds are tall and/or dense enough to prevent proper grass coverage.

MIXING INSTRUCTIONS

Maintain agitation throughout the spray application. Failure to agitate the spray volume may result in improper mixing of the herbicides and unsatisfactory weed control. Mixing and compatibility qualities should be verified by a jar test.

SELECT Herbicide Tank Mix: Add 1/2 of the required water to the spray tank and begin agitation. Add the required amount of SELECT and mix thoroughly. Then add the required amount of tank mix partner and continue mixing. Finally, add the required amount of crop oil concentrate and/or the Nitrogen fertilizer and the remaining water.

INFORMATION ON ANTAGONISM

Tank mixes of SELECT Herbicide with postemergence broadleaf herbicides have shown some reduction or failure to control certain grass species which would have otherwise been controlled when SELECT Herbicide is applied alone. Activity of the postemergence broadleaf herbicide in the tank mix is not affected.

Table 1.
SELECT HERBICIDE TANK MIXES TO CONTROL ANNUAL GRASSES WHEN USED AS A BURNDOWN IN NO-TILL SOYBEANS

PRODUCT	PRODUCT ACRE RATE ⁽¹⁾	GRASS HEIGHT	CROP OIL + CONC. ⁽²⁾ (V/V)	28%N or 32%N QTS./A OR 2.5 to 4.0 LBS. AMS
SELECT Herbicide	6 fl. oz.	Foxtail 1-3" Fall Panicum 1-3"	1%	1 to 2 qts./A OR 2.5 to 4.0 lbs. AMS
	or			
	8 fl. oz.	Foxtail 1-4" Fall Panicum 1-4"	1%	1 to 2 qts./A OR 2.5 to 4.0 lbs. AMS
	or			
	13 to 17 fl. oz.	(See Grass Chart for grasses claimed)	1%	1 to 2 qts./A OR 2.5 to 4.0 lbs. AMS
+ 2,4-D ESTER*	+ 0.5 lb. ai			
SELECT Herbicide	6 fl. oz.	Foxtail 1-3" Fall Panicum 1-3"	1%	1 to 2 qts./A OR 2.5 to 4.0 lbs. AMS
	or			
	8 fl. oz.	Foxtail 1-4" Fall Panicum 1-4"	1%	1 to 2 qts./A OR 2.5 to 4.0 lbs. AMS
	or			
	13 to 17 fl. oz.	(See Grass Chart for grasses claimed)	1%	1 to 2 qts./A OR 2.5 to 4.0 lbs. AMS
+ PROWL	+ 2 pts.			
+ 2,4-D ESTER*	+ 0.5 lb. ai			
SELECT Herbicide	6 fl. oz.	Foxtail 1-3" Fall Panicum 1-3"	1%	1 to 2 qts./A OR 2.5 to 4.0 lbs. AMS
	or			
	8 fl. oz.	Foxtail 1-4" Fall Panicum 1-4"	1%	1 to 2 qts./A OR 2.5 to 4.0 lbs. AMS
	or			
	13 to 17 fl. oz.	(See Grass Chart for grasses claimed)	1%	1 to 2 qts./A OR 2.5 to 4.0 lbs. AMS
+ SENCOR DF	+ 2 to 4 oz.			
+ 2,4-D ESTER*	+ 0.5 lb. ai			

* 2,4-D ESTER should not be used where drift sensitive crops may be grown.

- (1) If regrowth occurs or an additional flush of new grass emerges, make a second application of SELECT Herbicide according to the appropriate size and rate recommendations.
- (2) Always use a crop oil concentrate with at least 15% emulsifier at the listed rate in the finished spray volume.

Table 2.

**SELECT HERBICIDE TANK MIXES WITH BROADLEAF HERBICIDES
FOR SOYBEANS (REFER TO THE RECOMMENDATION
TABLES ABOVE FOR SPECIFIC GRASSES AND GROWTH STAGES)**

PRODUCT ⁽²⁾	APPLICATION RATES/ACRE ⁽¹⁾			
	ANNUAL GRASSES	PERENNIAL GRASSES	CROP OIL CONC. ⁽³⁾ (V/V)	
			GROUND	AIR
SELECT Herbicide + COBRA®	13 to 17 fl. oz. + 12.5 fl. oz.	17 to 34 fl. oz. + 12.5 fl. oz.	.5 to 1%	1%
SELECT Herbicide + BASAGRAN® 4SL	17 to 21 fl. oz. + 1 to 2 pts.	21 to 34 fl. oz. + 1 to 2 pts.	1%	1%
SELECT Herbicide + BLAZER® 2SL	13 to 17 fl. oz. + 1 to 1.5 pts.	17 to 34 fl. oz. + 1 to 1.5 pts.	.5 to 1%	1%
SELECT Herbicide + FLEXSTAR® HL Herbicide ⁽⁵⁾	13 to 17 fl. oz. Refer to the Flexstar HL Herbicide label for specific application rates.	17 to 34 fl. oz.	1%	1%
SELECT Herbicide + CLASSIC® 25DG	17 to 21 fl. oz. + 0.5 to 0.75 oz.	21 to 34 fl. oz. + 0.5 to 0.75 oz.	1%	1%
SELECT Herbicide ⁽⁴⁾ + PURSUIT®	13 to 17 fl. oz. + 4 fl. oz.	17 to 34 fl. oz. + 4 fl. oz.	1%	1%
SELECT Herbicide + REFLEX® 2 LC	13 to 17 fl. oz. + 0.75 to 1.5 pts.	17 to 34 fl. oz. + 0.75 to 1.5 pts.	.5 to 1%	1%
SELECT Herbicide ⁽⁴⁾ + GALAXY™	17 to 21 fl. oz. + 32 fl. oz.		.5%	1%
SELECT Herbicide ⁽⁴⁾ + COBRA + CLASSIC 25DG	17 to 21 fl. oz. + 6 to 8 fl. oz. + 0.5 to 0.75 oz.		.5%	1%
SELECT Herbicide ⁽⁴⁾ + COBRA + BASAGRAN 4 SL	17 to 21 fl. oz. + 6 to 10 fl. oz. + 1 to 1.5 pts.		.5%	1%

SELECT Herbicide ⁽⁴⁾	17 to 21 fl. oz.	.5%	1%
+ COBRA	+ 6 to 10 fl. oz.		
+ PURSUIT	+ 4 fl. oz.		
SELECT Herbicide ⁽⁴⁾	17 to 21 fl. oz.	.5%	1%
+ STORM*	+ 1.5 pts.		
SELECT Herbicide ⁽⁴⁾	17 to 21 fl. oz.	1%	1%
+ RESOURCE Herbicide	+ 4 fl. oz.		
+ PURSUIT	+ 4 fl. oz.		
SELECT Herbicide ⁽⁴⁾	17 to 21 fl. oz.	1%	1%
+ RESOURCE Herbicide	+ 4 fl. oz.		
+ BASAGRAN Herbicide	+ 1 pt.		
SELECT Herbicide ⁽⁴⁾	17 to 21 fl. oz.	1%	1%
+ RESOURCE Herbicide	+ 4 fl. oz.		
+ CLASSIC Herbicide	+ 0.5 fl. oz.		
SELECT Herbicide ⁽⁴⁾	13 to 17 fl. oz.	.5%	1%
+ COBRA	+ 6 fl. oz.		
+ RESOURCE Herbicide	+ 4 fl. oz.		

- (1) If grass regrowth occurs or an additional flush of new grass emerges, make a second application of SELECT alone (without a tank mix herbicide), according to the appropriate size and rate recommendations.
- (2) Broadleaf weed control may be reduced when grass populations are tall enough or dense enough to intercept the spray pattern and prevent them from receiving complete coverage. Tank mixing is not recommended in these situations.
- (3) Always use a crop oil concentrate containing at least 15% emulsifier at the listed rate (but not less than 1 pint per acre) in the finished spray volume.
- (4) The addition of 1 to 2 qts./A of liquid fertilizer (10-34-0, 28%N, or 32%N) is recommended when SELECT Herbicide is tank mixed with PURSUIT, RESOURCE, GALAXY, STORM, COBRA + CLASSIC, COBRA + BASAGRAN, and COBRA + PURSUIT.
- (5) Refer to FLEXSTAR HL label for geographic and rotational restrictions.

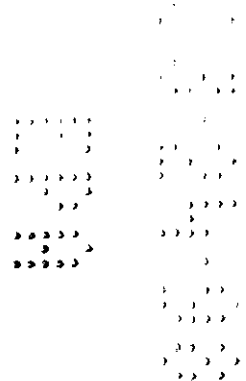


Table 3.

**SELECT HERBICIDE TANK MIXES WITH BROADLEAF HERBICIDES
FOR SOYBEAN VARIETIES DESIGNATED AS "STS"
(REFER TO SYNCHRONY AND RELIANCE LABELS
FOR GEOGRAPHICAL OR ROTATIONAL RESTRICTIONS).**

RECOMMENDED TANK MIXES WITH SELECT HERBICIDE AT 13 to 17 OZ./A ON STS SOYBEANS*

PRODUCT	RATE	Crop Oil Conc. v/v	28%N** qts/A	Weeds Controlled
SELECT Herbicide + SYNCHRONY® STS*	13 fl. oz./A 0.5 oz./A	1%	1 to 2	Foxtail Giant 1-4" Green 1-4" Yellow 1-4" Crabgrass Large 1-4" Smooth 1-4" Fall Panicum 1-4" Volunteer Corn 4-12"
OR				
SELECT Herbicide + SYNCHRONY STS + COBRA Herbicide	13 fl. oz./A 0.5 oz./A 4 to 8 fl. oz./A	.5%	1 to 2	(Refer to SYNCHRONY STS and COBRA labels for broadleaf weeds controlled.)
SELECT Herbicide - SYNCHRONY STS	17 fl. oz./A 0.5 oz./A	1%	1 to 2	Foxtail Giant 2-12" Green 2-8" Yellow 2-8" Crabgrass Large 2-6" Smooth 2-6" Fall Panicum 2-8" Volunteer Corn 4-24"
OR				
SELECT Herbicide - SYNCHRONY STS - COBRA Herbicide	17 fl. oz./A 0.5 oz./A 4 to 8 fl. oz./A	.5%	1 to 2	(Refer to SYNCHRONY STS and COBRA labels for broadleaf weeds controlled.)
SELECT Herbicide - RELIANCE™ STS*	13 fl. oz./A 0.5 oz./A	1%	1 to 2	Foxtail Giant 1-4" Green 1-4" Yellow 1-4" Crabgrass Large 1-4" Smooth 1-4" Fall Panicum 1-4" Volunteer Corn 4-12"
OR				
SELECT Herbicide + RELIANCE STS + COBRA Herbicide	13 fl. oz./A 0.5 oz./A 4 to 8 fl. oz./A	.5%	1 to 2	(Refer to RELIANCE STS and COBRA labels for broadleaf weeds controlled.)

SELECT Herbicide + RELIANCE STS	17 fl. oz./A 0.5 oz./A	1%	1 to 2	Foxtail Giant 2-12" Green 2-8" Yellow 2-8" Crabgrass Large 2-6" Smooth 2-6" Fall Panicum 2-8" Volunteer Corn 4-24"
OR				
SELECT Herbicide + RELIANCE STS + COBRA Herbicide	17 fl. oz./A 0.5 oz./A 4 to 8 fl. oz./A	.5%	1 to 2	(Refer to RELIANCE STS and COBRA labels for broadleaf weeds controlled.)

- * Apply only to STS Soybeans.
- ** Optional. May enhance grass control, especially under dry conditions. Ammonium sulfate at 2.5 to 4.0 lbs./A may be substituted for 28%N

Table 4.

**SELECT HERBICIDE TANK MIXED
WITH COBRA® HERBICIDE AND MSMA
APPLIED POST DIRECTED TO COTTON**

PRODUCT ⁽²⁾	APPLICATION RATES/ACRE ⁽¹⁾		CROP OIL CONC. ⁽³⁾	COMMENTS
	ANNUAL GRASSES	PERENNIAL GRASSES	v/v GROUND	
SELECT Herbicide	13 to 17 fl. oz.	17 to 34 fl. oz.	1%	Reduce broadcast rate in proportion to the band area actually treated.
+				
COBRA	See COBRA label for rates to control broadleaf weeds and height limitations for cotton. Refer to the SELECT Herbicide label for weed height and species controlled.			
-				
MSMA (4.0 lbs./gal.)	See MSMA label for rates to control broadleaf weeds and height limitations for cotton. Refer to the SELECT Herbicide label for weed height and species controlled.			
or				
MSMA (6.6 lbs./gal.)				

- (1) If grass regrowth occurs or an additional flush of new grass emerges, make a second application of SELECT Herbicide alone (without a tank mix herbicide), according to the appropriate size and rate recommendations.
- (2) Broadleaf weed control may be reduced when grass populations are tall enough or dense, enough to intercept the spray pattern and prevent them from receiving complete coverage. Tank mixing is not recommended in these situations.
- (3) Always use a crop oil concentrate containing at least 15% emulsifier at the listed rate (but not less than 1 pint per acre) in the finished spray volume.

Table 5.

**SELECT HERBICIDE TANK MIXED
WITH STINGER® HERBICIDE
APPLIED TO SUGAR BEETS**

PRODUCT ⁽²⁾	APPLICATION RATES/ACRE ⁽¹⁾		CROP OIL CONC. ⁽³⁾	
	ANNUAL GRASSES	PERENNIAL GRASSES	GROUND	AIR
SELECT Herbicide	13 to 17 fl. oz.	17 to 34 fl. oz.	1% v/v	
+				
Stinger® Herbicide	See Stinger Herbicide label for rates. Refer to the SELECT Herbicide label for weed height and species controlled.			

- (1) If grass regrowth occurs or an additional flush of new grass emerges, make a second application of SELECT Herbicide alone (without a tank mix herbicide), according to the appropriate size and rate recommendations.
- (2) Broadleaf weed control may be reduced when grass populations are tall enough or dense enough to intercept the spray pattern and prevent them from receiving complete coverage. Tank mixing is not recommended in these situations.
- (3) Always use a crop oil concentrate containing at least 15% emulsifier at the listed rate (but not less than 1 pint per acre) in the finished spray volume.

Table 6.

**SELECT HERBICIDE TANK MIXED
WITH BETAMIX® or BETANEX®
APPLIED TO SUGAR BEETS**

PRODUCT ⁽²⁾	WEEDS CONTROLLED	WEED HEIGHT	APPLICATION RATE / ACRE ⁽¹⁾
SELECT Herbicide	Barnyardgrass Foxtail Foxtail Millet Wild Oats Oats Wild Proso Millet	Echinochloa crus-galli	17 fl. oz.
-		Setaria spp.	
-		Setaria Italica	
-		Avena fatua	
-		Panicum millaceum	
BETAMIX		See BETAMIX label for rates to control broadleaf weeds. No additives are recommended in the tank mix.	
OR			
BETANEX		See BETANEX label for rates to control broadleaf weeds. No additives are recommended in the tank mix.	

- (1) Do not use crop oil concentrate. No additives are recommended in the tank mix. If grass regrowth occurs or an additional flush of new grass emerges, make a second application of SELECT Herbicide alone (without a tank mix herbicide), according to the appropriate size and rate recommendations.
- (2) Broadleaf weed control may be reduced when grass populations are tall enough or dense enough to intercept the spray pattern and prevent them from receiving complete coverage. Tank mixing is not recommended in these situations.

**TANK MIX APPLICATION OF SELECT HERBICIDE AND
2,4-DB HERBICIDE FOR CONTROL OF GRASSES
AND BROADLEAF WEEDS IN ALFALFA**

A tank mix of SELECT Herbicide plus 2,4-DB can be used to control grass and broadleaf weeds listed on the two product labels. Include a crop oil concentrate containing at least 15% emulsifier at 1% v/v in the finished spray. Follow rate and other recommendations on the individual herbicide labels when applying this tank mix.

NOTE: SELECT Herbicide plus 2,4-DB may increase the severity of crop injury when tank mixed. Alfalfa plants will generally outgrow this temporary crop injury within a few weeks.

Table 7.

TANK MIX APPLICATION OF SELECT HERBICIDE AND INSECTICIDES FOR CONTROL OF GRASS WEEDS AND INSECTS IN SOYBEANS AND COTTON

Table with 4 columns: PRODUCT, ANNUAL GRASSES, PERENNIAL GRASSES, CROP OIL CONC. (V/V). Rows include SELECT Herbicide + ORTHENE 75 SP and SELECT Herbicide + ORTHENE 90 S.

- (1) If grass regrowth occurs, or an additional flush of new grass emerges, make a second application of SELECT Herbicide alone...
(2) Refer to insecticide label for rates and insects controlled.
(3) Always use a crop oil concentrate containing at least 15% emulsifier at the listed rate...

DIRECTIONS FOR USE IN FALLOW LAND

SELECT Herbicide may be used to control annual and perennial grasses in land that has been left fallow the previous year and other non-producing agricultural areas. Apply SELECT Herbicide at 13 to 17 fl. oz./A for annual grasses and 17 to 34 fl. oz./A for perennial grasses.

GENERAL INFORMATION:

- Use a minimum spray volume of 5 gals./A for aerial applications and 15 gals./A for ground applications.
• Apply only to actively growing grasses when the first grass reaches the recommended weed height...
• Annual grasses which emerge after the SELECT Herbicide application will not be controlled...
• The control of perennial grasses may require more than one application in non-tilled areas.
• Do not plant any crop for 30 days after application unless clethodim is registered for use in that crop.
• Do not apply to grasses that have tillered, formed seedheads or exceeded recommended growth stage.
• Do not use flood jet nozzles.
• Do not apply to drought-stressed grasses.
• Do not mow area for two weeks prior to or after the SELECT Herbicide application.

SELECT HERBICIDE IN TANK MIXES TO CONTROL ANNUAL AND PERENNIAL GRASSES IN FALLOW LAND

PRODUCT	APPLICATION RATES/ACRE ⁽¹⁾		CROP OIL CONC. ⁽²⁾	
	ANNUAL GRASSES	PERENNIAL GRASSES	GROUND	AIR
SELECT Herbicide	13 TO 17 fl. oz.	17 to 34 fl. oz.	1% v/v	
+				
2,4-D Ester	.5 lb./A			
or				
BANVEL SGF	See BANVEL SGF label for rates.			

- (1) Refer to SELECT Herbicide label for weed height and species control. Review BANVEL SGF Herbicide and 2,4-D labels for crop restrictions, use rates and weeds controlled.
- (2) Always use a crop oil concentrate or methylated seed oil containing at least 15% emulsifier at the listed rate (but not less than 1 pint per acre) in the finished spray volume.

DIRECTIONS FOR USE IN ORNAMENTALS

For ornamental plant uses, SELECT Herbicide can be used to control labeled grass weeds in greenhouses, lathhouses, shadehouses, and around outdoor ornamentals, including nurseries, parks, roadside plantings, and structure landscapes.

IMPORTANT

SELECT Herbicide successfully controls weeds in newly transplanted and established non-grassy ornamentals. Plant tolerance to SELECT Herbicide at labeled rates has been found to be acceptable for the indicated genera and species listed below. Due to variability within species, crop growth stage, environmental conditions, and application techniques, it is recommended that the user determine if herbicide can be used safely on a few plants prior to widespread application. Neither the seller nor the manufacturer of SELECT Herbicide have investigated the safety factor to ornamental plants not listed on the label.

The following plants have shown a tolerance for SELECT Herbicide applications:

ORNAMENTAL TREES

COMMON NAME	SCIENTIFIC NAME
ALDER, RED	Alnus oregona
ASH	Fraxinus spp.
BASSWOOD	Tilia spp.
BIRCH, EUROPEAN WHITE	Betula pendula
BIRCH, RIVER	Betula nigra
BIRCH, WHITE	Betula papyrifera
CRABAPPLE, FLOWERING	Malus halliana
DOGWOOD, FLOWERING	Cornus florida
GOLDON CHAIN TREE	Laburnum anagyroides
MAPLES	Acer spp.
MULBERRY, WHITE	Morus alba
OAKS	Quercus spp.
OLIVE, WILD	Elaeagnus angustifolia
REDBUD	Cercis canadensis
SWEET GUM	Liquidambar styraciflua

GARDEN FLOWERS AND PLANTS

COMMON NAME	SCIENTIFIC NAME
-------------	-----------------

AGERATUM	Ageratum spp.
ALYSSUM *	Lobularia maritima
ASPARAGUS FERN	Asparagus setaceus
BLEEDING HEART	Dicentra spectabilis
CAST IRON PLANT	Aspidistra elatior
CHRYSANTHEMUM	Chrysanthemum spp.
CINQUEFOIL	Potentilla spp.
COLEUS	Coleus spp.
CORALBELLS	Heuchera sanguinea
CRANESBILL	Geranium spp.
DAHLIA	Dahlia spp.
DAISY, AFRICAN	Osteospermum fruticosum
DAYLILY	Hemerocallis spp.
DUSTY MILLER	Senecio cineraria
EUONYMUS	Euonymus spp.
GAZANIA	Gazania spp.
GERANIUM, HOUSE	Pelargonium hortorum
HEATHER	Cuphea hyssopifolia
HOSTA	Hosta fortunei
IRIS	Iris spp.
JASMINE TOBACCO	Nicotiana glauca
LOOSESTRIFE	Lythrum salicaria
MARIGOLD	Tagetes spp.
PARTRIDGEBERRY	Mitchella repens
PETUNIA *	Petunia hybrida
PHLOX	Phlox spp.
PINKS	Dianthus spp.
PORTULACA	Portulaca grandiflora
SALVIA	Salvia spp.
SAXIFRAGE	Saxifraga spp.
SEDUM	Sedum spp.
SELLOUM	Philodendrum selloum
SNAPDRAGON *	Antirrhinum majus
SWEET FLAG	Lacorus gramineus
TICKSEED	Coreopsis grandiflora
TOUCH-ME-NOT	Balsam spp.
VERBENA	Verbena spp.
VIOLET	Viola spp.
YARROW, COMMON	Achillea millefolium
ZINNIA	Zinnia elegans

* Slight foliage or flower speckling has been observed on these species.

GROUND COVERS

COMMON NAME	SCIENTIFIC NAME	
BUGLEWEED, CARPET	Ajuga reptans))))
IVY, ENGLISH	Hedera helix))))
JAPANESE SPURGE	Pachysandra terminalis))))
LILYTURF	Liriope muscari))))
MONEYWORT	Lysimachia nummularia))))
MONDO GRASS, WHITE	Ophiopogon jaburan))))
MONDO GRASS DWARF	Ophiopogon japonicus))))
PERIWINKLE, COMMON	Vinca minor))))

SHRUBS

COMMON NAME	SCIENTIFIC NAME	
ABELIA	Abelia spp.))))
ANISE, PURPLE	Illicium floridanum))))

AUCUBA	Aucuba spp.
AZALEA *	Rhododendron spp.
BAMBOO	Bambusa spp.
BARBERRY, JAPANESE	Berberis thunbergii
BARBERRY, MAGELLAN	Berberis buxifolia
BAYBERRY	Myrica pensylvanica
BOTTLEBRUSH	Callistemon citrinus
BOXWOOD	Buxus sempervirens
CAMELLIA	Camellia japonica
CANDYTUFT	Iberis sempervirens
CLEYER	Cleyera japonica
CORALBERRY	Ardisia crenata
CRAPE MYRTLE	Lagerstroemia indica
CYOTE BRUSH	Baccharis pilularis
FIG, CREEPING	Ficus pumila
GARDENIA	Gardenia spp.
HOLLY	Ilex spp.
HONEYSUCKLE	Lonicera pileata
INDIAN HAWTHORN	Raphiolepis indica
JASMINE	Jasminum spp.
JASMINE, ASIATIC	Trachelospermum asiaticum
JASMINE, CONFEDERATE	Trachelospermum jasminoides
JUNIPER	Juniperus spp.
LANTANA	Lantana spp.
NANDINA *	Nandinia domestica
OLEANDER, COMMON	Nerium oleander
OREGON GRAPE	Mahonia aquifolium
PHOTINIA	Photinia spp.
PITTOSPORUM	Pittosporum spp.
PODOCARPUS	Podocarpus spp.
PRIVET	Ligustrum spp.
PYRACANTHA	Pyracantha spp.
RHODODENDRON	Rhododendron spp.
ROSE	Rosa spp.
SPIREA	Spiraea bumalda
TEA OLIVE	Osmanthus fragrans
VIBERNUM	Viburnum tinus
WISTERIA	Wisteria spp.
YELLOW SAGE	Lantana camera

* Slight foliage or flower speckling has been observed on these species.

RECOMMENDATIONS FOR ANNUAL GRASSES IN ORNAMENTALS

- Apply only to actively growing grasses at recommended weed heights.
- Apply when the first grass weed species in a mixed grass weed population reaches the recommended growth stage for treatment.
- Use the high rate under heavy grass pressure and/or when grasses are at maximum height.

GRASS SPECIES		WEED HEIGHT INCHES	RATE FL. OZ. ACRE	HIGH RATE
Barnyardgrass	Echinochloa crusgalli	2-8	(1) 17	(2) 34
Broadleaf Signalgrass	Brachiaria platyphylla	2-6	17	34
Brome				
California	Bromus carinatus	2-6	17	34
Cheatgrass	Bromus secalinus	2-6	17	34
Downy	Bromus tectorum	2-6	17	34
Ripgut	Bromus diandrus	2-6	17	34
Crabgrass				
Hairy	Digitaria adscendens	2-6**	17	34

Large	<i>Digitaria sanguinalis</i>	2-6**	17	34
Smooth	<i>Digitaria ischaemum</i>	2-6**	17	34
Southern	<i>Digitaria ciliaris</i>	2-6**	17	34
Crowfootgrass	<i>Dactyloctenium aegyptium</i>	2-6**	17	34
Fall Panicum	<i>Panicum dichotomiflorum</i>	2-8	17	34
Field Sandbur	<i>Cenchrus incertus</i>	2-6	17	34
Foxtail				
Giant	<i>Setaria faberi</i>	2-12	17	34
Green	<i>Setaria viridis</i>	2-8	17	34
Yellow	<i>Setaria glauca</i>	2-8	17	34
Foxtail Barley	<i>Hordeum jubatum</i>	2-6	17	34
Goosegrass	<i>Eleusine indica</i>	2-6**	17	34
Itchgrass	<i>Rottboellia exaltata</i>	2-6	17	34
Junglerice	<i>Echinochloa colona</i>	2-6	17	34
Lovegrass (Stinkgrass)	<i>Eragrostis cilanensis</i>	2-6	17	34
Red Rice	<i>Oryza sativa</i>	1-3	17	34
Rygrass				
Hardy	<i>Lolium perenne</i>	2-6	17	34
Italian	<i>Lolium multiflorum</i>	2-6	17	34
Seedling Johnsongrass	<i>Sorghum halepense</i>	4-10	17	34
Shattercane	<i>Sorghum bicolor</i>	6-18	17	34
Southwestern Cupgrass	<i>Eriochloa gracilis</i>	2-6	17	34

Sprangle top				
Amazon	Lepthochloa panicoides	2-6	17	34
Bearded	Leptochloa fascicularis	2-6	17	34
Mexican	Leptochloa uninervia	2-6	17	34
Red	Leptochloa filiformis	2-6	17	34
Texas Panicum	Panicum texanum	2-6	17	34
Volunteer Cereals				
Barley	Hordeum vulgare	2-6	17	34
Oats	Avena sativa	2-6	17	34
Rye	Secale cereale	2-6	17	34
Wheat	Triticum aestivum	2-6	17	34
Volunteer Corn	Zea mays	4-12	13	17
Volunteer Corn	Zea mays	12-24	17	34
Volunteer Grain Sorghum	Sorghum bicolor	8-12	17	34
Wild Oats	Avena fatua	2-6	17	34
Wild Proso Millet	Panicum miliaceum	2-10	17	34
Witchgrass	Panicum capillare	2-8	17	34
Woolly Cupgrass	Eriochloa villosa	2-8	17	34

* Generally occurs between 3-leaf stage and tillering.

** Length of lateral growth.

(1) 17 fl. oz./acre = approximately 0.4 fl. oz./1000 sq. ft.

(2) 34 fl. oz./acre = approximately 0.8 fl. oz./1000 sq. ft.

Add non-ionic surfactant containing at least 80% active ingredient at the rate of 1 pt. per 50 gals. (0.25% v.v).

RECOMMENDATIONS FOR ANNUAL BLUEGRASS CONTROL WITH SELECT HERBICIDE IN ORNAMENTALS			
GRASS SPECIES	WEED STAGE	RATE FL. OZ. ACRE	HIGH RATE
Annual Bluegrass (Poa annua)	to 4-Leaf	13	34
Apply under favorable soil moisture and humidity which exists within a few days after rainfall or within 7 days after irrigation. Grass needs to be actively growing at time of application(s).			
Apply at weed stage indicated on the label, as reduced control can be expected with more mature annual bluegrass.			
Use the high rate under heavy grass pressure and / or when annual bluegrass is more mature.			
Add non-ionic surfactant containing at least 80% active ingredient at the rate of 1 pt. per 50 gals. (0.25% v.v).			

RECOMMENDATIONS FOR PERENNIAL GRASSES IN ORNAMENTALS

- Apply only to actively growing grasses at recommended weed heights.
- Apply when the first grass weed species in a mixed grass weed population reaches the recommended growth stage for treatment.
- Use the high rate under heavy grass pressure and/or when grasses are at maximum height.

GRASS SPECIES	WEED HEIGHT INCHES	RATE FL. OZ. ACRE	HIGH RATE
		(1)	(2)
Bermudagrass (Cynodon dactylon)			
First Application	3 (or up to 6" runners)	17	34
Repeat Application(s) (if regrowth occurs)	3 (or up to 6" runners)	17	34
Quackgrass (Agropyron repens)			
First Application	4-8	17	34
Repeat Application(s) (if regrowth occurs)	4-8	17	34

Rhizome Johnsongrass (Sorghum halepense)			
First Application	12-24	17	34
Repeat Application(s) (if regrowth occurs)	6-18	13	17
Wirestem Muhly (Muhlenbergia frondisa)			
First Application	4-8	17	34
Repeat Application(s) (if regrowth occurs)	4-8	17	34

(1) 17 fl. oz./acre = approximately 0.4 fl. oz./1000 sq. ft.
(2) 34 fl. oz./acre = approximately 0.8 fl. oz./1000 sq. ft.
Add non-ionic surfactant containing at least 80% active ingredient at the rate of 1 pt. per 50 gals. (0.25% v/v)

STORAGE AND DISPOSAL

PROHIBITIONS

Do not contaminate water, food or feed by storage, disposal or cleaning of equipment. Open dumping is prohibited.

STORAGE

Keep pesticide in original container. Do not put concentrate or dilute into food or drink containers. Store in cool, dry place. Do not store diluted spray.

Emergency Response: For help with any spill, leak, fire or exposure involving this material, call day or night 1-800-892-0099.

PESTICIDE DISPOSAL

Wastes resulting from the use of this product may be disposed of on site or at an approved waste disposal facility.

CONTAINER DISPOSAL

Triple rinse (or equivalent). Do not reuse container. Offer for recycling or reconditioning, or puncture and dispose of in a sanitary landfill, or incineration, or, if allowed by State and local authorities, by burning. If burned, stay out of smoke.

- Copyright © 1997 by Valent U.S.A. Corporation
- BANVEL® - Reg. TM of SANDOZ AGRO, INC.
- BASAGRAN® - Reg. TM of BASF AG.
- BETAMIX® - Reg. TM of AGRO EVO USA Company
- BETANEX® - Reg. TM of AGRO EVO USA Company
- BLAZER® - Reg. TM of BASF AG.
- CLASSIC® - Reg. TM of E.I. duPont de Nemours & Co. Inc.
- COBRA® - Reg. TM of Valent U.S.A. Corporation
- FLEXSTAR® - Reg. TM of Zeneca, Inc.
- GALAXY™ - Trademark of BASF Corporation.
- IMI-CORN™ - Trademark of American Cynamid Co.
- LIBERTY LINK® - Reg. TM of AGRO EVO USA Company
- ORTHENE® - Reg. TM of Monsanto Company
- PROWL® - Reg. TM of American Cynamid Co.
- PURSUIT® - Reg. TM of American Cynamid Co.
- REFLEX® - Reg. TM of Zeneca, INC.
- RELIANCE® - Reg. TM of E.I. duPont de Nemours & Co. Inc.
- RESOURCE® - Reg. TM of Valent U.S.A. Corporation
- ROUND-UP READY® - Reg. TM of Monsanto Company
- SENCOR® - Reg. TM of Bayer Corporation
- STINGER® - Reg. TM of DowElanco
- STORM® - Reg. TM of BASF Corporation.
- SYNCHRONY® - Reg. TM of E.I. duPont de Nemours & Co. Inc.

Manufactured for
Valent U.S.A. Corporation
Walnut Creek, CA 94596-8025
Form R3150 E0.0 970627 Made in U.S.A.
EPA Reg. No. 59639-78 EPA Est. No. 8655-AR-01

THE VALENT RETURNABLE KEG

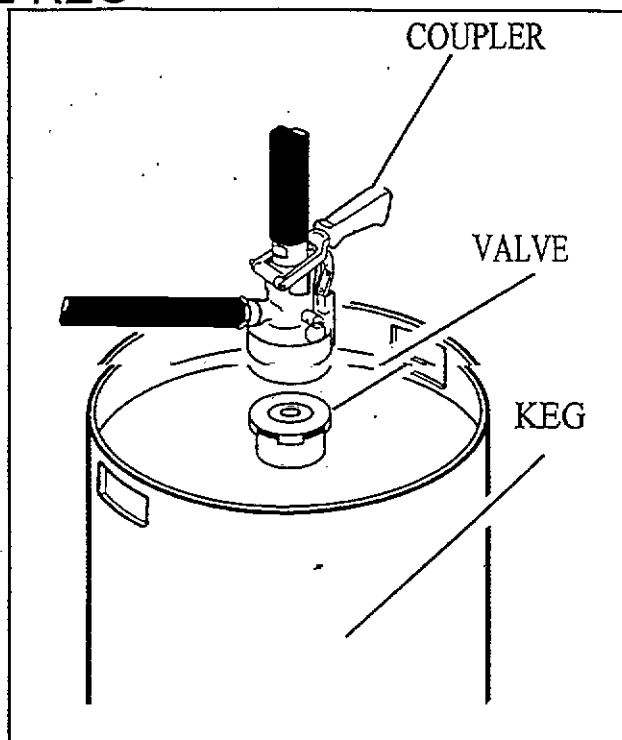
Description: This keg is a closed-system, refillable container designed for easy handling and convenient dispensing of product with no container disposal.

Construction: The keg is made of all stainless steel. Both the gaskets and seals are Viton and are compatible with the Valent product.

Pump System: With the versatility of the keg, either a mechanical pump or an air pressure system may be used to dispense the product.

Coupler: A specific dry-disconnect coupler is required for dispensing product from the keg. This coupler is available through local agricultural equipment suppliers.

Container Capacity: 15 gallons or 56.7 liters (by weight)



ATTENTION!

This is a closed-system container. Do not try to remove the valve from the keg. The coupler required for removal of product is available from local agricultural equipment suppliers. The keg contains tamper evident seals that, if broken, will incur a fee for the user of the keg. Both the coupler and the valve are designed for one-way operation only. Never try to pump any type of material back into the keg.

DIRECTIONS FOR USE

The proper coupler must be attached and engaged before removing any product from the keg. Either a mechanical pump or an air pressure system may be used and connected to the 1-inch NPT thread on the top of the coupler.

IMPORTANT! Attach a hose or pump to the coupler before engaging coupler. This will prevent the user from being splashed in the event that pressure build-up in the keg forces liquid up through the coupler.

To attach and engage the coupler:

1. Pull top of black dust cover back to expose head of valve. The bottom ring of the black dust cover will still be attached to the neck of the valve. Save the dust cover for reuse when returning keg.
2. Before engaging the coupler, securely attach a hose or pump to the threaded connection.
3. Twist coupler onto valve on keg, and engage coupler by pulling handle straight out to unlock and then pushing handle down into lower position to open internal valve. Handle will automatically lock in place.
4. Secure and engage coupler by pulling handle straight out to unlock and then pushing handle down into lower position to open internal valve. Handle will automatically lock in place.
5. You are now ready to begin the pumping operation.

To remove coupler from container:

1. Release coupler by pulling handle straight out to unlock and then lifting handle into upper position. Handle will automatically lock in place.
2. Lift coupler from keg. As coupler clears top of valve, pull coupler sideways and lift it off the valve.
3. Wipe valve off and replace dust cover.
4. Flush coupler with water.
5. Wipe coupler and store in a clean place.
6. Properly dispose of cleaning towels and rinsate.

RETURNING KEGS

Clean the outside of the keg with water or soap before returning the keg to the distributor. Leave all Valent product labels and stickers securely attached. All Valent product labels, stickers and other information must remain on the keg in order to comply with both State and Federal regulations.

All Valent kegs are tracked using the individual keg serial number stamped in the top of the keg. Distributors are responsible for these kegs that have been assigned to them. Return this keg to the distributor from which it was purchased. Notify the distributor if the keg cannot be returned by the specific time.