



ACCEPTED

OCT 24 2005

Under the Federal Insecticide, Fungicide, and Rodenticide Act as amended, for the pesticide registered under EPA Reg. No.

59639-34

COBRA[®] Herbicide

Active Ingredient.....	By Wt.
*Lactofen	23.2%
Other Ingredients.....	<u>76.8%</u>
Total	100.0%

*1-(carboethoxy)ethyl-5-[2-chloro-4-(trifluoromethyl)-phenoxy]-2-nitrobenzoate

Contains Petroleum distillates.

Contains 2 lbs. active ingredient per gallon

Do not apply this product through any type of irrigation system.

KEEP OUT OF REACH OF CHILDREN

DANGER – PELIGRO

SEE NEXT PAGE FOR ADDITIONAL PRECAUTIONARY STATEMENTS.

Si usted no entiende la etiqueta, busque a alguien para que se la explique a usted en detalle. (If you do not understand the label, find someone to explain it to you in detail).

NET WEIGHT 1 GALLON

PRECAUTIONARY STATEMENTS

HAZARDS TO HUMANS & DOMESTIC ANIMALS

DANGER: Corrosive. Causes skin burns and irreversible eye damage. Harmful if swallowed, inhaled or absorbed through skin. Do not get in eyes or on skin or clothing. Avoid breathing vapor or spray mist. This product contains lactofen, which has been determined to cause tumors in laboratory animals (mouse, rat). Risks can be reduced by closely following use directions and precautions, and by wearing the protective clothing specified elsewhere on this label.

FIRST AID

- If in eyes:**
- Hold eye open and rinse slowly and gently with water for 15-20 minutes.
 - Remove contact lenses, if present, after the first 5 minutes, then continue rinsing eye.
 - Call a poison control center or doctor for treatment advice.
- If swallowed:**
- Immediately call a poison control center or doctor.
 - Do not induce vomiting unless told to do so by a poison control center or doctor.
 - Do not give any liquid to the person.
 - Do not give anything by mouth to an unconscious person.
- If on skin or clothing:**
- Take off contaminated clothing.
 - Rinse skin immediately with plenty of water for 15-20 minutes.
 - Call a poison control center or doctor for treatment advice.
- If inhaled:**
- Move person to fresh air.
 - If person is not breathing, call 911 or an ambulance, then give artificial respiration, preferably by mouth-to-mouth, if possible.
 - Call a poison control center or doctor for further treatment advice.

HOT LINE NUMBER

Have the product container or label with you when calling a poison control center or doctor or going for treatment. You may also contact **1-800-892-0099** for emergency medical treatment information.

NOTE TO PHYSICIAN

Ingestion of this product or subsequent vomiting can result in aspiration of light hydrocarbon liquid, which can cause pneumonitis.

PERSONAL PROTECTIVE EQUIPMENT (PPE):

Some materials that are chemical-resistant to this product are listed below. If you want more options, follow the instructions for category G on an EPA chemical-resistant category selection chart.

Applicators and other handlers must wear: coveralls over long-sleeved shirt and long pants, chemical-resistant gloves, such as Barrier Laminate or Viton \geq 14 mils, chemical-resistant footwear plus socks, protective eyewear, chemical-resistant headgear for overhead exposure and chemical-resistant apron when cleaning equipment, mixing or loading.

Discard clothing and other absorbent materials that have been drenched or heavily contaminated with this product's concentrate. Do not reuse them. Follow manufacturer's instructions for cleaning/maintaining PPE. If no such instructions for washables, use detergent and hot water. Keep and wash PPE separately from other laundry.

USER SAFETY RECOMMENDATIONS

Users should:

- Wash hands before eating, drinking, chewing gum, using tobacco or using the toilet.
- Remove clothing immediately if pesticide gets inside. Then wash thoroughly and put on clean clothing.
- Remove PPE immediately after handling this product. Wash the outside of gloves before removing. As soon as possible, wash thoroughly and change into clean clothing.

ENVIRONMENTAL HAZARDS:

This pesticide is toxic to fish. Do not apply directly to water, or to areas where surface water is present or to intertidal areas below the mean high water mark. Drift and runoff from treated areas may be hazardous to aquatic organisms in neighboring areas. Do not contaminate water by cleaning of equipment or disposal of waste. Do not apply when weather conditions favor drift from target area.

PHYSICAL OR CHEMICAL HAZARDS:

Combustible. Do not use or store near heat or open flame.

DIRECTIONS FOR USE

It is a violation of Federal Law to use this product in a manner inconsistent with its labeling.

READ ENTIRE LABEL. USE STRICTLY IN ACCORDANCE WITH PRECAUTIONARY STATEMENTS AND DIRECTIONS AND WITH APPLICABLE STATE AND FEDERAL REGULATIONS.

Do not apply this product in a way that will contact workers or other persons, either directly or through drift. Only protected handlers may be in the area during application. For any requirements specific to your State or Tribe, consult the agency responsible for pesticide regulation.

AGRICULTURAL USE REQUIREMENTS

Use this product only in accordance with its labeling and with the Worker Protection Standard, 40 CFR part 170. This Standard contains requirements for the protection of agricultural workers on farms, forests, nurseries, and greenhouses, and handlers of agricultural pesticides. It contains requirements for training, decontamination, notification and emergency assistance. It also contains specific statements on this label about personal protective equipment (PPE), and restricted-entry interval. The requirements in this box only apply to uses of this product that are covered by the Worker Protection Standard.

Do not enter or allow worker entry into treated areas during the restricted entry interval (REI) of 12 hours.

PPE required for early entry to treated areas that is permitted under the Worker Protection Standard and that involves contact with anything that has been treated, such as plants, soil or water, is: coveralls over long-sleeved shirt and long pants, chemical-resistant gloves, such as Barrier Laminate or Viton \geq 14 mils, chemical-resistant footwear plus socks, protective eyewear and chemical-resistant headgear for overhead exposure.

**DISCLAIMER, RISKS OF USING THIS PRODUCT,
LIMITED WARRANTY
AND LIMITATION OF LIABILITY**

IMPORTANT: Read the entire Label including this Disclaimer, Risks of Using this Product, Limited Warranty, and Limitation of Liability before using this product. If the terms are not acceptable THEN DO NOT USE THE PRODUCT; rather, return the unopened product within 15 days of purchase for a refund of the purchase price.

RISKS OF USING THIS PRODUCT

The Buyer and User (referred to collectively herein as "Buyer") of this product should be aware that there are inherent unintended risks associated with the use of this product which are impossible to eliminate. These risks include, but are not limited to, injury to plants and crops to which this product is applied, lack of control of the target pests or weeds, resistance of the target pest or weeds to this product, injury caused by drift, and injury to rotational crops caused by carryover in the soil. Such risks of crop injury, non-performance, resistance or other unintended consequences are unavoidable and may result because of such factors as weather, soil conditions, disease, moisture conditions, irrigation practices, condition of the crop at the time of application, presence of other materials either applied in the tank mix with this product or prior to application of this product, cultural practices or the manner of use or application, (or a combination of such factors) all of which are factors beyond the control of Valent. The Buyer should be aware that these inherent unintended risks may reduce the harvested yield of the crop in all or a portion of the treated acreage, or otherwise affect the crop such that additional care, treatment and expense are required to take the crop to harvest. If the Buyer chooses not to accept these risks, THEN THIS PRODUCT SHOULD NOT BE APPLIED. By applying this product Buyer acknowledges and accepts these inherent unintended risks AND AGREES THAT ALL SUCH RISKS ASSOCIATED WITH THE APPLICATION AND USE ARE ASSUMED BY THE BUYER.

Valent shall not be responsible for losses or damages (including, but not limited to, loss of yield, increased expenses of farming the crop or such incidental, consequential or special damages that may be claimed) resulting from use of this product in any manner not set forth on the label. Buyer assumes all risks associated with the use of this product in any manner or under conditions not specifically directed or approved on the label.

LIMITED WARRANTY

Valent warrants only that this product conforms to the chemical description on the label and is reasonably fit for the purposes stated in the label, under average use conditions, when used strictly in accordance with the label and subject to the Risks of Using This Product as described above. EXCEPT AS SET FORTH ABOVE, VALENT MAKES NO OTHER WARRANTIES, EITHER EXPRESSED OR IMPLIED. No agent or representative of Valent or Seller is authorized to make or create any other express or implied warranty.

LIMITATION OF LIABILITY

In no event shall Valent or Seller be liable for any incidental, consequential, indirect or special damages resulting from the use or handling of this product. The limitation includes, but is not limited to, loss of yield on all or any portion of the treated acreage, increased care, treatment or other expenses required to take the crop to harvest, increased finance charges or altered finance ratings, emotional or mental distress and/or exemplary damages. THE EXCLUSIVE REMEDY OF THE BUYER, AND THE EXCLUSIVE MAXIMUM LIABILITY OF VALENT OR SELLER FOR ANY AND ALL CLAIMS, LOSSES, INJURIES OR DAMAGES (INCLUDING CLAIMS BASED ON BREACH OF WARRANTY, CONTRACT, NEGLIGENCE, TORT, STRICT LIABILITY OR OTHERWISE) RESULTING FROM THE USE OR HANDLING OF THIS PRODUCT SHALL BE THE RETURN OF THE PURCHASE PRICE OF THIS PRODUCT OR, AT THE ELECTION OF VALENT OR SELLER, THE REPLACEMENT OF THE PRODUCT.

PROMPT NOTICE OF CLAIM

Valent must be provided notice as soon as Buyer has reason to believe it may have a claim, but in no event later than twenty-one days from date of planting, or twenty-one days from the date of application, whichever is latter, so that an immediate inspection of the affected property and growing crops can be made.

If Buyer does not notify Valent of any claims, in such period, it shall be barred from obtaining any remedy.

NO AMENDMENTS

Valent and Seller offer this product, and Buyer accepts it, subject to the foregoing Disclaimer, Risks of Using This Product, Limited Warranty and Limitation of Liability, which may not be modified by any oral or written agreement.

TANK MIXES

NOTICE: Tank mixing of this product with any other product which is not specifically and expressly authorized by the label shall be the exclusive risk of user, applicator and/or application advisor.

Read and follow the entire label of each product to be used in the tank mix with this product.

RESISTANCE MANAGEMENT

COBRA Herbicide is a Group 14 herbicide (PPO inhibitor). Any weed population may contain or develop plants naturally resistant to herbicides in various mode of action classes. Resistant biotypes, such as waterhemp, may eventually dominate the weed population if the same class of chemistry/mode of action herbicides are used repeatedly in the same field or in successive years. These resistant biotypes may not be adequately controlled by herbicides in a mode of action class for which resistance has developed. A gradual or total loss of weed control may occur over time. Other resistance mechanisms that are not linked to site of action, such as enhanced metabolism, may also exist. Appropriate resistance management strategies should be followed.

TO DELAY HERBICIDE RESISTANCE

- Avoid the use of herbicides that have a similar target site mode of action in consecutive years. Other Group 14 herbicides (PPO inhibitors) include acifluorfen (Ultra Blazer[®]) and fomesafen (Flexstar[®], Reflex[®]). If resistant weed biotypes such as waterhemp are suspected or known to be present, use a tank mix partner with COBRA Herbicide to help control these biotypes, or use a planned herbicide rotation program where other residual broadleaf herbicides having different modes of action are used.
- Herbicide use should be based on an IPM program that includes scouting, record keeping, and consideration of cultivation practices, water management, weed-free crop seed, crop rotation and other chemical or cultural control practices.
- Monitor treated weed population for resistance development and report suspected resistance.
- Contact your local extension or crop expert (advisor) for any additional pesticide resistance management and/or IPM recommendations for specific crops and weed biotypes.
- For further information contact Valent USA Corporation at the following toll free number 1-800-682-5368.

TABLE OF CONTENTS

DIRECTIONS FOR USE IN SOYBEANS **Page Number**

General Use Information.....

Application.....

Timing.....

Conventional Row.....

Drilled/Solid Seeded.....

Early Application.....

Ground.....

Broadcast.....

Band.....

Low Volume Ground Application.....

Aerial.....

Adjuvant and Additives.....

Recommendations..... Table 1S

Mixing Instructions.....

Weeds Controlled by COBRA Herbicide..... Table 2S

Weeds Suppressed by COBRA Herbicide..... Table 3S

Perennial Weeds Suppressed by COBRA Herbicide..... Table 4S

Tall Weeds Suppressed by COBRA Herbicide..... Table 5S

WHITE MOLD SUPPRESSION BY COBRA HERBICIDE..... Table 6S

COBRA HERBICIDE PREEMERGENCE FOLLOWED BY REDUCED RATES OF COBRA HERBICIDE POSTEMERGENCE..... Table 7S

COBRA HERBICIDE REDUCED RATES TO CONTROL SMALL BROADLEAF WEEDS IN SOYBEANS..... Table 8S

BROADLEAF HERBICIDE TANK MIXES WITH COBRA HERBICIDE

Tanks Mix with Basagran Herbicide..... Table 9S

General Use Information.....

Weeds Controlled by Tank Mix.....

Mixing Instructions and Use Restrictions.....

Tank Mix with Classic Herbicide..... Table 10S

General Use Information.....

Weeds Controlled by Tank Mix.....

Mixing Instructions and Use Restrictions.....

Tank Mix with Classic Plus Pinnacle Herbicide..... Table 11S

General Use Information.....

Weeds Controlled by Tank Mix.....

Mixing Instructions and Use Restrictions.....

Tank Mix with Basagran Plus Pinnacle Herbicide..... Table 12S

General Use Information.....

Weeds Controlled by Tank Mix.....

Mixing Instructions and Use Restrictions.....

Tank Mix with 2,4-DB Herbicide..... Table 13S

General Use Information.....

Weeds Controlled by Tank Mix.....

Mixing Instructions and Use Restrictions.....

Tank Mix with Pinnacle Herbicide..... Table 14S

General Use Information.....

Weeds Controlled by Tank Mix.....

Mixing Instructions and Use Restrictions.....

Tank Mix with Pursuit Herbicide	Table 15S
General Use Information	
Weeds Controlled by Tank Mix.....	
Weeds Controlled by Low Rate Tank Mix	
Mixing Instructions and Use Restrictions.....	
Tank Mix with Scepter Herbicide.....	Table 16S
General Use Information	
Weeds Controlled by Tank Mix.....	
Mixing Instructions and Use Restrictions.....	
Tank Mix with Reliance STS Herbicide	Table 17S
General Use Information	
Weeds Controlled by Tank Mix.....	
Mixing Instructions and Use Restrictions.....	
Tank Mix with Synchrony STS Herbicide	Table 18S
General Use Information	
Weeds Controlled by Tank Mix.....	
Mixing Instructions and Use Restrictions.....	
Tank Mix with Roundup Ultra Herbicide	Table 19S
General Use Information	
Weeds Controlled by Tank Mix.....	
Mixing Instructions and Use Restrictions.....	
Tank Mix with FirstRate Herbicide.....	Table 20S
General Use Information	
Weeds Controlled by Tank Mix.....	
Use Restrictions.....	

GRASS HERBICIDE TANK MIXES WITH COBRA HERBICIDE

Tank Mix with SELECT 2 EC Herbicide	Table 21S
General Use Information	
Tank Mix Application Area.....	
Weeds Controlled by Tank Mix.....	
Sequential Application	
Mixing Instructions and Use Restrictions.....	
Tank Mix with Assure/Assure II Herbicide.....	Table 22S
General Use Information	
Tank Mix Application Area.....	
Weeds Controlled by Tank Mix.....	
Sequential Application	
Mixing Instructions and Use Restrictions.....	
Tank Mix with Fusilade DX Herbicide.....	Table 23S
General Use Information	
Tank Mix Application Area.....	
Weeds Controlled by Tank Mix.....	
Sequential Application	
Mixing Instructions and Use Restrictions.....	
Tank Mix with Option Herbicide.....	Table 24S
General Use Information	
Tank Mix Application Area.....	
Weeds Controlled by Tank Mix.....	
Sequential Application	
Mixing Instructions and Use Restrictions.....	

COBRA HERBICIDE SEQUENTIAL AFTER SOIL APPLIED HERBICIDE

Sequential Following Pursuit Plus Herbicide..... Table 25S
 General Use Information
 Sequential Weeds Controlled by COBRA
 Use Restrictions.....
 Sequential Following Passport Herbicide..... Table 26S
 General Use Information
 Sequential Weeds Controlled
 Use Restrictions.....

POST DIRECTED APPLICATION IN COTTON

General Information
 Restrictions and Limitations
 Cotton Tolerance
 Timing.....
 Directed Band Application
 Sprayer Calibration.....
 Cultivation.....
 Application Rates.....
 Post Directed and Layby COBRA Applied Alone Table 1C
 Adjuvants.....
 Recommendations..... Table 2C
 Tank Mix with COBRA + Bladex
 General Use Information
 Bladex 90DF, 80W, 4L
 Mixing Instructions Table 3C
 Tank Mix with COBRA + Karmex 80W
 General Use Information
 Mixing Instructions Table 4C
 Tank Mix with COBRA + MSMA.....
 General Use Information
 Mixing Instructions Table 5C
 Weeds Controlled by COBRA Herbicide
 and COBRA + MSMA Tank Mix
 Postemergence 6" – 8" Cotton and
 Layby – 12" or More Cotton Table 6C
 COBRA + Bladex Tank Mix/COBRA + Karmex Tank Mix
 Weeds Controlled by COBRA Herbicide
 Tank Mixes-Layby-12" or More Cotton Table 7C

DIRECTIONS FOR USE IN PEANUTS

General Information.....
 Restrictions and Limitations
 Aerial Application.....
 Early Postemergence Treatment.....
 Adjuvant Recommendations for Postemergence Application
 Weeds Controlled by COBRA Herbicide in Peanuts Table 1P
 Crop Tolerance.....
 Rainfall or Overhead Irrigation
 Equipment Recommendations for Application
 Tank Mix Partners for Use in Peanuts..... Table 2P
 Mixing Instructions.....

DIRECTIONS FOR OUTDOOR USE IN CONIFER SEEDLINGS AND NURSERIES

General Use Information
 Preemergent
 Postemergent
 Application Instructions
 Use Restrictions
 Preemergent Applications to Conifer Seedlings..... Table A
 Postemergent Applications to Conifer Seedlings..... Table B

COBRA HERBICIDE FOR POST DIRECTED APPLICATION IN KENAF

General Information.....
 Kenaf Tolerance
 Timing.....
 Directed Band Application
 Sprayer Calibration.....
 Cultivation.....
 Application Rates.....
 Post – Directed Kenaf 10" or more..... Table 1K

APPENDIX

STORAGE AND DISPOSAL

Emergency Telephone Number 1-800-892-0099

DIRECTIONS FOR USE IN SOYBEANS

GENERAL INFORMATION

COBRA is a selective, broad spectrum herbicide for preemergence and postemergence control of susceptible broadleaf weeds. COBRA is formulated as an emulsifiable concentrate containing 2 lbs. of active ingredient per gallon. In the upper North Central region of the Midwest, postemergence application of COBRA Herbicide to soybeans (at or just before 1st bloom) has resulted in suppression of the soybean disease white mold caused by *Sclerotinia sclerotiorum*.

COBRA works primarily through contact action. Good coverage of young, actively growing weeds is essential for maximum weed control. The use of a spray adjuvant is usually required. Refer to the label section on ADJUVANTS AND ADDITIVES for specific recommendations.

When COBRA is applied postemergent, a portion of the spray solution may contact the soil surface. If soil moisture conditions are favorable for **preemergence activity** following the application, suppressed germination of small-seeded broadleaf weeds, such as nightshade species, pigweed species and prickly sida may be expected for a 2 to 3 week period. The presence of excessive crop or weed foliage at the time of application will reduce the amount of herbicide spray contacting the soil surface and will reduce the level of soil activity.

A **temporary crop response** should be expected following a postemergence application of COBRA. Soybean leaves which are open at the time of application will show some burn, bronzing and speckling. Trifoliolate soybean leaves which have emerged but are unopened at the time of application may appear cupped at the tip and/or crinkled along the edges of the leaf. Soybeans quickly outgrow all initial herbicide effects. When COBRA is used as directed, under commercial conditions **soybean yields will not be adversely affected. Under conditions of normal weed growth COBRA is rainfast 30 minutes after application.**

PRECAUTIONS

Apply COBRA preplant, preemergence and/or postemergence, but do not apply later than 45 days before harvest or after growth stage R6 (full seed).

Do not exceed a total of 25 fl. oz. (0.4 lb. ai) per acre per season.

NOTE: New York State Only – Apply COBRA Herbicide only as a postemergence herbicide once per growing season, at a maximum seasonal application rate not to exceed 12.5 fl. oz. (0.2 lb. ai) per acre, and not later than 90 days before harvest.

Do not graze animals on green forage or stubble. Do not feed treated soybean silage (ensiled soybeans) to cattle. Do not utilize hay or straw for animal feed or bedding.

APPLICATION

CONVENTIONAL ROW APPLICATION TIMING

For best results, COBRA and COBRA tank mixes should be applied to small actively growing weeds that are not larger than indicated in Table 2S or Tank Mix Tables of this label. Normally this occurs 14 to 21 days after planting or after last field preparation, when soybeans are at the first to second trifoliolate leaf stage.

Soybeans at or larger than the third trifoliolate stage may interfere with the spray pattern and reduce coverage of the weed leaves. **Do not apply COBRA when the soybeans or the weeds are under stress.**

Applying COBRA under conditions that do not promote active weed growth will reduce herbicide effectiveness. These conditions include drought, excessive water, extremes in temperature and low humidity. Weeds under stress tend to "harden off" and become less susceptible to herbicidal action.

Do not cultivate prior to or during application. Do not generate excessive dust while spraying. Excessively dusty conditions may interfere with the coverage of the weed leaf surface by the spray solution. A timely cultivation approximately one week after application will assist in weed control.

DRILLED/SOLID SEEDED APPLICATION TIMING

Under drilled/solid-seeded soybean cropping systems, a dense crop canopy develops more rapidly than conventional row spacings. The crop canopy may restrict penetration of the herbicide spray pattern and reduce coverage of the weed foliage. Applications should be made when soybeans are at the first trifoliolate leaf stage, usually 7 to 10 days after planting. Delaying application beyond the first trifoliolate leaf stage may result in unsatisfactory weed control. For improved weed coverage and canopy penetration in drilled or solid seeded soybeans, the higher range of spray volume and pressure is required. See the BROADCAST GROUND APPLICATIONS section of this label for application information.

EARLY APPLICATION TIMING

For early control of Pigweeds, Eastern Black Nightshade, Common Ragweed, Giant Ragweed, Common Lambsquarter, Copperleaf, Common Purslane, Hairy Galinsoga, Cutleaf Groundcherry and Jimsonweed, apply COBRA Herbicide when soybeans have emerged and are in the cotyledon to unifoliolate stage, normally 5 to 7 days after planting. Weed growth may not be visible or may be in the cotyledon stage of growth at early application.

BROADCAST GROUND APPLICATION

COBRA and COBRA tank mixes can be applied by ground equipment using standard commercial sprayers equipped with flat fan or hollow cone nozzles. COBRA is a contact herbicide. Special attention should be given to preparing and operating the sprayer to assure proper coverage of the weed leaf surface.

Use COBRA on a broadcast basis in **20 to 30 gals. of water per acre** and a spray pressure of **40 to 60 PSI measured at the boom**. Apply COBRA using a flat fan or hollow cone nozzle designed to deliver the desired spray pressure and spray volume. Avoid use of flat fan nozzles larger than 8006 (or equivalent) because they do not break up spray patterns into small enough droplets to provide adequate weed coverage for foliar herbicides. Spray nozzles should be centered at a 20 inch spacing to provide adequate coverage. Ground speed should not exceed 10 mph to provide proper spray coverage. Boom height, ground speed and pressure recommendations should not exceed those recommended by the spray nozzle manufacturer for the type and size of nozzle being used. Improper use of the selected spray nozzle will adversely affect the spray pattern, prevent proper coverage of weed leaf surface, and reduce weed control. Refer to the manufacturer's spray chart for nozzle selection and operating information.

REFER TO THE AERIAL APPLICATION SECTION FOR SPECIFIC INSTRUCTIONS FOR AERIAL APPLICATION.

DO NOT USE THE FOLLOWING DELIVERY SYSTEMS TO APPLY COBRA HERBICIDE:

- 1 – Flood Nozzles
- 2 – Control Droplet Application (CDA)
- 3 – Flat Fan Nozzles Larger than 8006
- 4 – Spray rigs which utilize wheel driven pumps

BAND APPLICATION

Row banding equipment should be adjusted to provide maximum coverage of weeds in the row. Base the band use of COBRA and COBRA tank mixes on a broadcast use rate of 20 to 30 gals. of water per acre by reducing the spray gallons in proportion to the area actually treated. The spray pressure should be 40 to 60 PSI measured at the boom. A minimum of two nozzles per row is required to provide optimum coverage of the weed foliage.

DO NOT make band applications while cultivating or create excessive dust while spraying. Excessively dusty conditions will interfere with proper coverage of the weed leaf surface, thereby reducing contact activity.

LOW VOLUME GROUND APPLICATION

Application of COBRA and COBRA tank mixes using a low volume application require a minimum of 10 gals. of spray solution per acre.

A minimum of 20 gals. of spray solution per acre is required in North Dakota, South Dakota and Minnesota.

Applications of less than 10 gals. per acre will provide inconsistent weed control. The spray pressure at the boom should be between 40 to 60 PSI. Flat fan nozzles are recommended at 20 inch spacing for proper spray coverage. To provide adequate coverage flat fan nozzles larger than 8006 (or equivalent) should not be used. Height of the spray boom should be adjusted so as not to exceed the manufacturer's recommendation for proper coverage by the spray nozzle being used. Maximum speed of operation should not exceed 10 mph as spray coverage of weed foliage may be adversely affected.

Crop oil concentrate is required at the rate of 2% v/v to achieve optimum control with low volume applications.

AERIAL APPLICATION

To obtain satisfactory weed control with aerial applications of COBRA and COBRA tank mixes, except 2,4-DB, uniform coverage must be obtained. Do not spray when drift is possible or when wind velocity is more than 5 mph. Avoid spraying COBRA within 200 ft. of dwellings or adjacent sensitive crops such as ornamentals, cotton, tobacco or sorghum. To obtain satisfactory application and minimize drift, the following directions must be observed:

Volume and Pressure: Use COBRA in **5 to 10 gals. water per acre** and a maximum spray pressure of **40 PSI**. Applications at less than 5 gals. per acre will provide inadequate control. The higher gallonage applications generally afford more consistent weed control.

Nozzle and Nozzle Orientation: Use nozzles which produce flat or hollow cone spray patterns. Use non-drip type nozzles such as diaphragm-type nozzles to avoid unwanted discharge of spray solution. The nozzles must be directed toward the rear of the aircraft, at an angle between 0 and 15 downward, do not place nozzles on the outer 25% of wings or rotors.

CROP OIL CONCENTRATE: with aerial applications the use of crop oil concentrate at the rate of 1% v/v in the spray solution is recommended.

IMPORTANT: In dry conditions, the use of less than 2% v/v of crop oil concentrate or use of an adjuvant other than crop oil concentrate will result in unsatisfactory weed control.

SOUTHERN STATES: In low-lying areas of Southern states which typically experience excessive soil moisture in the spring, the state recommendation for adjuvants may call for either a non-ionic surfactant or reduced rate of crop oil concentrate. Where this situation exists, use the adjuvant recommendations of the state extension service.

ADJUVANTS AND ADDITIVES

Control of weeds by COBRA Herbicide at or near the maximum growth stage indicated in Table 2S of this label is enhanced by the addition of an adjuvant to the spray mixture. Use of a crop oil concentrate containing at least 15% emulsifier or non-ionic surfactant containing at least 80% surfactant is recommended (see Table 1S). The addition of liquid nitrogen (28, 30 or 32%) or ammonium sulfate in combination with COC or surfactant may enhance weed control. Mixing and compatibility qualities should be verified by a jar test. The addition of a spray adjuvant may intensify the initial crop response.

Crop Oil Concentrate: Crop oil concentrate is the preferred adjuvant for COBRA for weed control over a wide spectrum of application conditions. Higher levels of crop response are also generally observed with the use of a crop oil concentrate; however soybeans quickly outgrow all initial herbicide effects. The rate of crop oil concentrate will depend on the environmental conditions preceding the application and the weed species and weed size at the time of application. If environmental conditions are good and weeds are growing vigorously, use of the low rate of crop oil concentrate is recommended. The higher rate is required when the weeds are under environmental stress such as low temperature, low humidity or low soil moisture. Refer to Table 1S for the recommended rate of crop oil concentrate by state and environmental conditions.

Surfactant: When soil moisture is good and weeds are actively growing, the addition of a non-ionic surfactant will improve the wetting and contact activity of COBRA Herbicide. Refer to Table 1S for the recommended rate of non-ionic surfactant by state and environmental conditions.

Ammonium Sulfate: Refer to Table 1S for the recommended rate of AMMONIUM SULFATE fertilizer and additives by environmental conditions.

Table 1S.

RELATIVE HUMIDITY ADJUVANT RECOMMENDATIONS PERCENT RELATIVE HUMIDITY

	100% > 80% (High)	80% > 60% (Medium)	60% > Less (Low)
NON-IONIC SURFACTANT	0.25% v/v	Not Recommended	Not Recommended
CROP OIL CONCENTRATE/ACRE (AL, DE, FL, GA, MD, NC, PA, SC, VA)	0.125 to 0.25% v/v	0.25% v/v	0.25% v/v
(ALL OTHER STATES)	0.25% v/v	0.5% v/v	0.5 to 1% v/v
28, 30, 32% NITROGEN liquid fertilizer		4% v/v + Non-ionic Surfactant 0.25% v/v	4% v/v + Crop Oil Concentrate 0.5% v/v
AMMONIUM SULFATE spray grade		2 to 4 lbs. + Non-ionic Surfactant at 0.25% v/v	4 lbs. + Crop Oil Concentrate at 0.5% v/v

v/v is volume surfactant of COC/volume of the tank solution.

MIXING INSTRUCTIONS

Add about 1/2 of the required amount of water to the spray tank and begin agitation. Add the required amount of COBRA Herbicide and mix thoroughly. Then add the correct amount of adjuvant and the remaining water. Maintain agitation during filling and spraying to ensure a uniform spray mixture.

WEEDS CONTROLLED BY COBRA HERBICIDE

Identify your weed species as early as possible and determine the stage of growth by counting the true leaves. Ignore the cotyledon (seed leaves) when you count.

Use Table 2S of this label to determine the maximum weed leaf stage before which you must apply COBRA for effective weed control of the species desired.

Table 2S.

WEEDS CONTROLLED BY COBRA HERBICIDE IN SOYBEANS
Weed Growth Stages - 12.5 fl. oz. per acre

Common Name	Maximum Leaf Stages
Balloonvine	4
Beggarticks	6
Bristly Starbur	4
Buffalobur	4
Burcucumber	4
Carpetweed	8" diameter
Common Cocklebur	6
Common Purslane	8" diameter
Copperleaf	
Hophornbeam	6
Virginia	4
Croton	
Tropic	4
Woolly	4
Devilsclaw	4
Eclipta	6
Florida Beggarweed	2
Florida Pusley	6
Groundcherry	
Cutleaf	6
Lanceleaf	6
Hairy Galinsoga	4
Hemp Sesbania	6
Jimsonweed	4
Kochia	8
Lanceleaf Sage	4
Mexicanweed	4
Morningglories	
Cypressvine	4
Entireleaf*	2
Ivyleaf*	2
Palmleaf*	4
Pitted*	4
Purple Moonflower*	4
Smallflower*	4
Tall*	4
Nightshades	
Black	6
Eastern Black	6
Hairy	4

Pigweeds	
Palmer Amaranth***	6
Prostrate	6
Redroot	6
Smooth	6
Spiny Amaranth	6
Poorjoe	6
Prickly Sida (Teaweed)	4
Puncturevine	1.5" diameter
Ragweeds	
Common	8
Giant	6
Showy Crotalaria	4
Smell Melon	6
Spurge	
Prostrate	1" diameter
Spotted	4
Toothed	4
Venice Mallow	4
Waterhemp **	
Common	6
Tall	6
Wild Mustard	6
Wild Poinsettia	4
Wild Sunflower*	2
Witchweed	6 to 8" prior to bloom

*Crop oil concentrate is required at the rate of 0.5% v/v for control.

**When Palmer Amaranth or Waterhemp pressure is severe, a preemergence program with activity on Amaranthus species is recommended to control the early flush. Follow with COBRA to control the escaped weeds.

Table 3S.

WEEDS SUPPRESSED BY COBRA HERBICIDE
Weed Growth Stages - 12.5 fl. oz. per acre

Common Name	Maximum Leaf Stages
Coffee Senna*	2
Pennsylvania Smartweed	4
Sicklepod*	2
Spurred Anoda	2
Velvetleaf**	4

*Suppression may be improved when COBRA is applied following a preemergence application of Lasso® or Dual® at the recommended rates.

**Crop oil concentrate at 0.5% v/v or 28% N liquid fertilizer at 4% v/v plus non-ionic surfactant at 0.25% v/v of solution of ammonium sulfate (spray grade) at 2 to 4 lbs./acre plus non-ionic surfactant at 0.25% v/v of solution is required for control.

Suppression of growth, not acceptable, commercial control, maybe expected when these weeds are treated with COBRA.

The addition of crop oil concentrate at 0.5% v/v is required for suppression of these weeds.

Cultivation 1 week to 10 days after treatment will usually aid in obtaining satisfactory suppression of these weeds.

Table 4S.

PERENNIAL WEEDS SUPPRESSED BY COBRA HERBICIDE
Weed Growth Stages - 12.5 fl. oz. per acre

Common Name	Maximum Leaf Stages
Canada Thistle	6
Milkweeds	
Climbing	6
Common	6
Morningglory	
Bigroot (Wild Sweet Potato)	6
Redvine	6
Swamp Smartweed	6
Trumpetcreeper	6

The addition of crop oil concentrate at 0.5% v/v is required to burn back existing above-ground vegetation and may retard the growth of new foliage.

Table 5S

TALL WEEDS SUPPRESSED BY COBRA HERBICIDE
Weed Growth Stages - 12.5 fl. oz. per acre

Common Name	Weed Height - Inches*
Burcucumber	15 to 36
Jimsonweed	15 to 36
Ragweed	
Common	15 to 36
Giant	15 to 36
Velvetleaf	15 to 36

*When COBRA Herbicide is applied at this height, complete control should not be expected.

The addition of crop oil concentrate at 0.5% v/v is required for suppression of these weeds.

DO NOT APPLY LATER THAN 45 DAYS BEFORE HARVEST OR AFTER GROWTH STAGE R6 (FULL SEED).

Table 6S.

**WHITE MOLD* SUPPRESSION BY COBRA HERBICIDE
Soybean Growth Stage 6 to 8 fl. oz. per acre****

Common Name	Soybean Growth Stage	Adjuvant Recommendation
White Mold (<i>Sclerotinia</i> stem rot) Suppression	Applications of COBRA Herbicide for white mold suppression in soybeans must be made at or just before 1 st bloom. Generally this occurs after the 4 th trifoliolate is fully expanded.	Crop Oil Concentrate or Methylated Seed Oil 0.5 to 1.0 pt./A Non-ionic Surfactant 0.25% v/v

*The Soybean disease white mold is caused by *Sclerotinia sclerotiorum*.

**Rates higher than 8 oz./A will not increase the level of white mold suppression. In cases where rates higher than 8 oz./A are desired for weed control please refer to Table 8S or Table 2S.

NOTE: It has been shown that the effects of COBRA on white mold is not a fungicidal response but one that may involve Systemic Acquired Resistance (SAR).

PRECAUTION: DO NOT APPLY COBRA AFTER WHITE MOLD INFECTION HAS OCCURRED.

**COBRA HERBICIDE PREEMERGENCE FOLLOWED BY
REDUCED RATES OF COBRA HERBICIDE POSTEMERGENCE**

GENERAL INFORMATION

COBRA Herbicide may be utilized as a preemergence soil applied herbicide for control of annual broadleaf weeds in soybeans. Following a preemergence application of COBRA Herbicide, a postemergence application of COBRA Herbicide may be applied in combination with other broadleaf herbicides for the control of escaped weeds.

Best results will be obtained when soybeans are planted and preemergence applications of COBRA are made in warm, moist soils which promote rapid emergence of target weeds.

Do not apply COBRA during periods when soybeans and the weeds are under stress or when conditions do not favor active weed growth.

Do not apply more than 0.3 lb. ai preemergence per acre per season.

Table 7S.

**COBRA Herbicide Preemergence Control Followed by
Postemergence Application to Control Escaped Weeds –
Soybean – Rate and Time of Application Table.**

PREEMERGENCE APPLICATION OF COBRA HERBICIDE

Product	Product Rates	Weeds Controlled	Adjuvant
COBRA	12.5 to 15 fl. oz./A	Black Nightshade Pigweed Smooth Redroot	None
COBRA	15 to 19 fl. oz./A	Copperleaf Jimsonweed Common Lambsquarters Common Ragweed Prickly Sida (Teaweed) Tall Waterhemp	None

FOLLOWED BY POSTEMERGENCE APPLICATION OF COBRA HERBICIDE

Product	Product Rate	Weeds Controlled	Adjuvant
COBRA	12.5 fl. oz./A	Refer to Table 2S for Postemergence Control of Escaped Weeds.	Refer to Table 1S
COBRA	4 to 12.5 fl. oz./A	Refer to Table 9S to 20S when tank mixing with other broadleaf herbicides.	See Tables 8S to 20S

Use Restrictions for COBRA Herbicide Applied Preemergence Followed by COBRA Herbicide Applied Postemergence:

1. Always read and follow all label directions when using any pesticide alone or sequentially. **The most restrictive labeling applies when using a tank mix.**
2. For preemergence control of grasses, tank mix COBRA with appropriate grass herbicide.
3. Do not apply COBRA less than 45 days before harvesting soybeans or after growth stage R6 (full seed).
4. Do not graze treated fields or harvest forage or hay.
5. Do not apply COBRA postemergence if rain is expected within 30 minutes of application or unsatisfactory weed control may result.
6. Do not apply more than 25 fl. oz./A of COBRA per season.
7. Do not apply to soils containing more than 3.5% organic matter.
8. **New York State Only** – Apply COBRA Herbicide only as a postemergence herbicide once per growing season, at a maximum seasonal application rate not to exceed 12.5 fl. oz. (0.2 lb. ai) per acre, and not later than 90 days before harvest.

**COBRA HERBICIDE
REDUCED RATES TO CONTROL SMALL BROADLEAF WEEDS IN SOYBEANS**

GENERAL INFORMATION

For best results, COBRA Herbicide should be applied to actively growing weeds. Do not apply COBRA during periods when the soybeans and the weeds are under stress or when conditions do not favor active weed growth. Refer to the COBRA soybean label for application timing.

SELECT® 2 EC Herbicide at 6 to 8 fl. oz./A may be tank mixed with COBRA Herbicide to control annual and perennial grasses. Refer to SELECT 2 EC Herbicide label for grasses controlled.

**Table 8S.
COBRA Herbicide Tank Mix – Soybeans – Rates and Time of Application Table.**

PRODUCT	RATE/ACRE	Broadleaf Weeds Controlled	Leaf Stage	
COBRA	6 fl. oz.	Nightshade, Black	Up to 3	
		Ragweed, Common	Up to 6	
		Waterhemp	Up to 4	
	8 fl. oz.	Cocklebur, Common Jimsonweed Nightshade, Black Pigweed Redroot Smooth Ragweed Common Giant Waterhemp		Up to 4
				Up to 4
				Up to 4
				Up to 6
				Up to 6
				Up to 6
				Up to 6
				Up to 4
				Up to 4
				Up to 6
	10 fl. oz.	Cocklebur, Common Jimsonweed Nightshade, Black Pigweed Redroot Smooth Ragweed Common Giant Waterhemp		Up to 5
				Up to 4
				Up to 5
				Up to 6
				Up to 6
			Up to 8	
			Up to 6	

Adjuvant: COBRA must be applied with 1 pt./A crop oil concentrate or methylated seed oil. The addition of liquid nitrogen (28, 30 or 32%) up to 4% v/v or ammonium sulfate at 2 to 4 lbs./A in combination with COC may enhance weed control.

2/13

BROADLEAF HERBICIDE TANK MIXES WITH COBRA HERBICIDE

**TANK MIX WITH BASAGRAN® HERBICIDE
FOR CONTROL OF BROADLEAF WEEDS IN SOYBEANS**

GENERAL INFORMATION

For best results the COBRA plus Basagran tank mix should be applied to actively growing weeds.

Do not apply COBRA tank mixtures during periods when the soybeans and the weeds are under stress or when conditions do not favor active weed growth.

Refer to the COBRA Soybean Label for application timing.

**Table 9S.
COBRA Herbicide & BASAGRAN Herbicide Tank Mix – Soybeans – Rate and Time of Application Table.**

Product	Product Rates	Weeds Controlled/ Leaf Stage	Adjuvant		
			10 fl.oz.	8 fl. oz.	6 fl.oz.
COBRA	6 to 12.5 fl. oz./A	Refer to Table 2S for weeds controlled at 12.5 fl. oz./A	Refer to Table 1S		
	COBRA Rate/A plus Basagran		10 fl.oz.	8 fl. oz.	6 fl.oz.
			Maximum Leaf Stage		
Basagran	1 pt./A	Black Nightshade	6	4	3
		Common Cocklebur	6	4	4
		Common Lambsquarters	4	4	4
		Pennsylvania Smartweed	4	4	4
		Pigweed			
		Smooth	6	6	C**
		Redroot	6	6	C**
		Ragweed			
		Common	8	6	6
		Giant	6	4	2
		Smartweed	4	4	4
		Tall Waterhemp	6	6	4
		Velvetleaf*	6	4	3
		Wild Sunflower	4	2	2
		Yellow Nutsedge	6 in.	6 in.	6 in.

Refer to Basagran label for other weeds claimed.

continued

Table 9S.
COBRA Herbicide & BASAGRAN Herbicide Tank Mix – Soybeans – Rate and Time of Application Table –
 (continued)

Product	Product Rates	Weeds Controlled/ Leaf Stage	Adjuvant		
			10 fl.oz.	8 fl. oz.	6 fl. oz.
		COBRA Rate/A or plus Basagran	Maximum Leaf Stage		
Basagran	2 pt./A	Common Cocklebur	10	10	10
		Common Lambsquarter	8	8	8
		Pennsylvania Smartweed	10	10	10
		Pigweed			
		Smooth	6	6	C**
		Redroot	6	6	C**
		Ragweed			
		Common	8	6	6
		Giant	6	4	2
		Tall Waterhemp	6	6	4
		Wild Sunflower	6	6	6
Refer to Basagran label for other weeds claimed.					

*Add 4% v/v Nitrogen liquid fertilizer or 4 lb./A ammonium sulfate (spray grade) plus 0.25% v/v non-ionic surfactant for best control.

**C is the cotyledon leaf stage.

MIXING INSTRUCTIONS

Maintain agitation throughout the spray application. Failure to agitate the spray volume may result in improper mixing of the herbicides and unsatisfactory weed control. Mixing and compatibility qualities should be verified by a jar test.

COBRA Herbicide Plus Basagran Herbicide Tank Mix: Add 1/2 of the required water to the spray tank and begin agitation. Add the required amount of Basagran and mix thoroughly. Then add the required amount of COBRA and continue mixing. Finally, add the required amount of crop oil concentrate, non-ionic surfactant and/or the nitrogen fertilizer and the remaining water.

Use Restrictions for COBRA Herbicide Plus Basagran Herbicide Tank Mix:

1. Always read and follow all label directions when using any pesticide alone or in tank mix combinations. **The most restrictive labeling applies when using a tank mix.**
2. Do not apply the COBRA plus Basagran tank mix less than 60 days before harvesting soybeans.
3. Do not graze treated fields or harvest for forage hay.
4. Do not apply the COBRA plus Basagran tank mix if rain is expected within 8 hours of application or unsatisfactory weed control may result.

**TANK MIX WITH CLASSIC® HERBICIDE
FOR CONTROL OF BROADLEAF WEEDS IN SOYBEANS**

GENERAL INFORMATION

For best results, the COBRA plus Classic tank mix should be applied to actively growing weeds.

Do not apply the COBRA and Classic tank mix during periods when the soybeans and the weeds are under stress or when conditions do not favor active weed growth.

Refer to the COBRA soybean label for application timing.

Table 10S.

**COBRA Herbicide & Classic Herbicide Tank Mix –
Soybeans – Rates and Time of Application Table.**

Product	Product Rates	Weeds Controlled/Leaf Stage	Adjuvant			
COBRA	6 to 12.5 fl. oz./A	Refer to Table 2 S for weeds controlled at 12.5 fl. oz./A	Refer to Table 1S			
		COBRA Rate/A plus Classic	10 fl. oz.	8 fl. oz.	6 fl. oz.	
			Maximum Leaf Stage			
Classic	0.38 oz./A	Black Nightshade	6	4	3	
		Common Cocklebur	8	6	C**	
		Florida Beggarweed	6	2	C**	
		Florida Pusley		6	C**	
		Pennsylvania Smartweed	4	2	C**	
		Pigweed				
		Smooth	6	6	C**	
		Redroot	6	6	C**	
		Prickly Sida (Teaweed)	4	2	C**	
		Ragweed				
		Common	8	6	6	
		Giant	6	4	C**	
		Tall Waterhemp	6	6	4	
		Velvetleaf*	4	C**		
Wild Mustard	6	4	C**			
Wild Sunflower	6	4	C**			

23/13

		COBRA Rate/A	10 fl. oz.	8 fl. oz.	6 fl. oz.
		or plus Classic			
Classic	0.5 oz./A	Black Nightshade	6	4	3
		Copperleaf			
		Hophornbeam	6	4	C**
		Virginia	4	2	C**
		Prickly Sida (Teaweed)	4	2	C**
		Ragweed			
		Common	8	6	4
		Giant	6	4	C**
		Sicklepod	3	3	C**
		Smooth Pigweed	6	4	3
		Tall Waterhemp	6	6	4
		Vevetleaf*	5	C**	
		Yellow Nutsedge	6		

Refer to Classic label for other weeds claimed

*Add 4% v/v nitrogen liquid fertilizer or 4 lb./A ammonium sulfate (spray grade) plus 0.25% v/v non-ionic surfactant for best control.

**C is the cotyledon leaf stage.

MIXING INSTRUCTIONS

Maintain agitation throughout the spray application. Failure to agitate the spray volume may result in improper mixing of the herbicides and unsatisfactory weed control. Mixing and compatibility qualities should be verified by a jar test.

COBRA Herbicide Plus Classic Herbicide Tank Mix: Add 1/2 of the required water to the spray tank and begin agitation. Add the required amount of Classic and mix thoroughly. Then add the required amount of COBRA and continue mixing. Finally, add the required amount of crop oil concentrate, non-ionic surfactant and/or the nitrogen fertilizer and the remaining water.

Use Restrictions for COBRA Herbicide plus Classic Herbicide Tank Mix:

1. Always read and follow all label directions when using any pesticide alone or in tank mix combinations. **The most restrictive labeling applies when using a tank mix.**
2. Do not apply the COBRA plus Classic tank mix less than 60 days before harvesting soybeans.
3. Do not graze animals on green forage or stubble. Do not utilize hay or straw for animal feed or bedding.
4. Do not apply the COBRA plus Classic tank mix if rain is expected within 1 hour of application or unsatisfactory weed control may result.
5. Refer to the Classic label for restrictions or soil pH, minimum recropping interval and rotational guidelines.

**TANK MIX WITH CLASSIC PLUS PINNACLE® HERBICIDE
FOR CONTROL OF BROADLEAF WEEDS IN SOYBEANS**

GENERAL INFORMATION

For best results, the COBRA plus Classic plus Pinnacle tank mix should be applied to actively growing weeds.

Do not apply the COBRA and Classic plus Pinnacle tank mix during periods when the soybeans and the weeds are under stress or when conditions do not favor active weed growth. Refer to the COBRA soybean label for application timing.

**Table 11S.
COBRA Herbicide & Classic Herbicide Plus Pinnacle Herbicide Tank Mix –
Soybeans – Rate and Time of Application Table.**

Product	Product Rates	Weeds Controlled/ Leaf Stage	Adjuvant		
			8 fl. oz.	6 fl. oz.	4 fl. oz.
COBRA	4 to 8 fl. oz./A		0.125% v/v Non-ionic Surfactant or 0.125% v/v Non-ionic Surfactant plus 4% v/v liquid Nitrogen Do Not Use Crop Oil Concentrate or Vegetable Oil Concentrate.		
plus	COBRA Rate/A Classic plus Pinnacle		Maximum Leaf Stage		
Classic	0.25 oz./A	Black Nightshade	4	2	C**
+ Pinnacle	+ 0.25 oz./A	Ragweed Common Giant	6 2	4 C**	C**

Refer to Classic plus Pinnacle labels for weeds claimed.

**C is the cotyledon leaf stage.

MIXING INSTRUCTIONS

Maintain agitation throughout the spray application. Failure to agitate the spray volume may result in improper mixing of the herbicides and unsatisfactory weed control. Mixing and compatibility qualities should be verified by a jar test.

COBRA Herbicide Plus Classic Plus Pinnacle Herbicide Tank Mix: Add 1/2 of the required water to the spray tank and begin agitation. Add the required amount of Classic and Pinnacle and mix thoroughly. Then add the required amount of COBRA and continue mixing. Finally, add the required amount of crop oil concentrate, non-ionic surfactant and/or the nitrogen fertilizer and the remaining water.

Use Restrictions for COBRA Herbicide plus Classic plus Pinnacle Herbicide Tank Mix:

1. Always read and follow all label directions when using any pesticide alone or in tank mix combinations. **The most restrictive labeling applies when using a tank mix.**
2. Do not apply the COBRA plus Classic plus Pinnacle tank mix less than 60 days before harvesting soybeans.
3. Do not graze animals on green forage or stubble. Do not utilize hay or straw for animal feed or bedding.
4. Do not apply the COBRA plus Classic plus Pinnacle tank mix if rain is expected within 1 hour of application or unsatisfactory weed control may result.
5. Refer to the Classic label for restrictions on soil pH, minimum recropping interval and rotational guidelines.

**TANK MIX WITH BASAGRAN PLUS PINNACLE HERBICIDE
FOR CONTROL OF EMERGED WEEDS IN SOYBEANS**

GENERAL INFORMATION

For best results, the COBRA plus Basagran plus Pinnacle tank mix should be applied to actively growing weeds. Do not apply COBRA tank mixtures during periods when the soybeans and the weeds are under stress or when conditions do not favor active weed growth.

To control annual grasses, add SELECT 2 EC Herbicide at 8 to 10 fl. oz./A to the tank mix. (Refer to the SELECT 2 EC label for grasses controlled).

Table 12S.

Tank Mix with Basagran and Pinnacle for Control of Emerged Weeds in Soybeans.

PRODUCT	Product Rate	Broadleaf Weeds Controlled	Leaf Size
COBRA	8 to 10 fl. oz./A	Cocklebur, Common	4 to 6 leaf
+	+	Lambsquarters, Common	1 to 4 inch
Basagran	1 pt./A	Nightshade, Black	4 to 6 leaf
+	+	Pigweed	
Pinnacle	0.125 oz./A	Redroot	4 to 6 leaf
		Smooth	4 to 6 leaf
		Ragweed	
		Common	6 to 8 leaf
		Giant	4 to 6 leaf
		Smartweed (Pennsylvania)	4 leaf
		Velvetleaf	4 to 6 leaf
		Waterhemp, Tall	4 to 6 leaf

Refer to Basagran and Pinnacle labels for additional weeds claimed.

Adjuvant: The COBRA plus Basagran plus Pinnacle tank mix must be applied with 1 pt./A crop oil concentrate or MSO. Liquid fertilizer (such as 28% N or 32% N) at 1 to 2 qts./A or 2.5 to 4.0 lbs./A of ammonium sulfate may be included, where desired, to increase broadleaf weed control.

Use Restrictions for COBRA Herbicide plus Basagran Herbicide plus Pinnacle Herbicide Tank Mix:

1. Always read and follow all label directions when using any pesticide alone or in tank mix combinations. **The most restrictive labeling applies when using a tank mix.**
2. Do not apply the COBRA plus Basagran plus Pinnacle tank mix less than 60 days before harvesting soybeans.
3. Do not graze treated fields or harvest for forage hay.
4. Do not apply the COBRA plus Basagran plus Pinnacle tank mix if rain is expected within 1 hour of application or unsatisfactory weed control may result.

**TANK MIX WITH 2,4-DB PRODUCTS
FOR CONTROL OF BROADLEAF WEEDS IN SOYBEANS**

GENERAL INFORMATION

Use only the amine formulations of 2,4-DB registered for use on soybeans. For best results, the COBRA plus 2,4-DB tank mix should be applied to actively growing weeds.

Do not apply COBRA and 2,4-DB product tank mixtures during periods when the soybeans and the weeds are under stress or when conditions do not favor active weed growth.

Refer to the COBRA soybean label for application timing.

The use of a 2,4-DB tank mix may cause crop injury.

Table 13S.

**COBRA Herbicide & 2,4-DB Tank Mix –
Soybeans –Rates and Time of Application Table.**

Product	Product Rate	Weeds Controlled/ Leaf Stage	Adjuvant
COBRA	12.5 fl. oz./A	Refer to Table 2S	0.25% v/v Non-ionic Surfactant.
Do Not Use Crop Oil Concentrate or Vegetable Oil.			
plus 2,4-DB			
			Maximum Leaf Stage
2,4-DB	2 oz./A	Morningglories Sicklepod	6 2

MIXING INSTRUCTIONS

Maintain agitation throughout the spray application. Failure to agitate the spray volume may result in improper mixing of the herbicides and unsatisfactory weed control. Mixing and compatibility qualities should be verified by a jar test.

COBRA Herbicide Plus 2,4-DB Herbicide Tank Mix: Add 1/2 of the required water to the spray tank and begin agitation. Add the required amount of 2,4-DB and mix thoroughly. Then add the required amount of COBRA and continue mixing. Finally, add the required amount of non-ionic surfactant and the remaining water.

Use Restrictions for COBRA Herbicide plus 2,4-DB Tank Mix:

1. Always read and follow all label directions when using any pesticide alone or in tank mix combinations. **The most restrictive labeling applies when using a tank mix.**
2. Do not apply the COBRA plus 2,4-DB tank mix by air.
3. Do not apply the COBRA plus 2,4-DB tank mix less than 60 days before harvesting soybeans.
4. Do not graze animals on green forage or stubble. Do not utilize hay or straw for animal feed or bedding.
5. Do not apply the COBRA plus 2,4-DB tank mix if rain is expected within 2 hours of application or unsatisfactory weed control may result.
6. Do not allow 2,4-DB to come into contact with cotton, okra, grapes, tomatoes, fruit trees, vegetables, flowers or other desirable crop or ornamental plants. Do not permit spray mist to drift onto susceptible plants since very small quantities of 2,4-DB can cause severe injury during growing or dormant periods.

**TANK MIX WITH PINNACLE HERBICIDE
FOR CONTROL OF BROADLEAF WEEDS IN SOYBEANS**

GENERAL INFORMATION

For best results, the COBRA plus Pinnacle tank mix should be applied to actively growing weeds.

Do not apply COBRA tank mixtures during periods when the soybeans and the weeds are under stress or when conditions do not favor active weed growth.

Refer to the COBRA soybean label for application timing.

Table 14S.

**COBRA Herbicide & Pinnacle Herbicide Tank Mix –
Soybeans – Rates and Time of Application Table.**

Product	Product Rate	Weeds Controlled/ Leaf Stage	Adjuvant	
COBRA	6 to 8 fl. oz./A		0.125% v/v non-ionic Surfactant or 0.125% v/v Non-ionic Surfactant plus 4% v/v Liquid Nitrogen fertilizer 28% or 32% Do Not Use Crop Oil Concentrate or Vegetable Oil.	
	COBRA Rate/A plus Pinnacle		8 fl. oz.	6 fl. oz.
			Maximum Leaf Stage	
Pinnacle	0.25 oz./A	Black Nightshade	4	2
		Common Cocklebur	6	4
		Copperleaf		
		Hophornbeam	4	C*
		Virginia	2	C*
		Prickly Sida	2	C*
		Ragweed		
		Common	6	4
		Giant	2	C*

Refer to Pinnacle label for weeds claimed.

*C is the cotyledon leaf stage.

29/73

MIXING INSTRUCTIONS

Maintain agitation throughout the spray application. Failure to agitate the spray volume may result in improper mixing of the herbicides and unsatisfactory weed control. Mixing and compatibility qualities should be verified by a jar test.

COBRA Herbicide Plus Pinnacle Herbicide Tank Mix: Add 1/2 of the required water to the spray tank and begin agitation. Add the required amount of Pinnacle and mix thoroughly. Then add the required amount of COBRA and continue mixing. Finally, add the required amount of non-ionic surfactant and the 28% N liquid fertilizer and the remaining water.

Use Restrictions for the COBRA Herbicide plus Pinnacle Herbicide Tank Mix:

1. Always read and follow all label directions when using any pesticide alone or in tank mix combinations. **The most restrictive labeling applies when using a tank mix.**
2. Do not apply the COBRA plus Pinnacle tank mix less than 60 days before harvesting soybeans.
3. Do not graze treated fields or harvest for forage hay.
4. Do not apply the COBRA plus Pinnacle tank mix if rain is expected within 1 hour of application or unsatisfactory weed control may result.

**TANK MIX WITH PURSUIT® HERBICIDE
FOR CONTROL OF BROADLEAF WEEDS IN SOYBEANS**

GENERAL INFORMATION

For best results the COBRA plus Pursuit tank mix should be applied to actively growing weeds.

Do not apply COBRA tank mixtures during periods when the soybeans and the weeds are under stress or when conditions do not favor active weed growth.

Refer to the COBRA soybean label for application timing.

Table 15S.

**COBRA Herbicide & Pursuit Herbicide Tank Mix –
Soybeans – Rates and Time of Application Table.**

Product	Product Rates	Weeds Controlled/ Leaf Stage	Adjuvant			
			10 fl. oz.	8 fl. oz.	6 fl. oz.	
COBRA	6 to 12.5 fl. oz./A	Refer to Table 2S for weeds controlled at 12.5 fl. oz./A	Refer to Table 1S*			
	COBRA Rate/A plus Pursuit					
			Maximum Leaf Stage			
Pursuit	4 oz./A	Common Lambsquarters Copperleafs	4	4	2	
Pursuit DG	1.44 oz./A	Hophornbeam	6	4	C**	
		Virginia	4	2	C**	
		Prickly Sida (Teaweed)	4	2	C**	
		Ragweed				
		Common	8	6	6	
		Giant	6	4	4	
		Tall Waterhemp	6	6	4	

Refer to Pursuit labels for weeds claimed.

*Sun-IT II™ may be substituted for crop oil concentrate, and liquid nitrogen fertilizer may be used at 1 to 2% v/v.

**C is the cotyledon leaf stage.

Table 15.1S.

**COBRA Herbicide & Pursuit Herbicide Tank Mix –
Soybeans – Rate and Time of Application Table.**

Product	Product Rate	Weeds Controlled/ Leaf Stage		Adjuvant
		COBRA	4 fl. oz./A	
plus Pursuit				
Pursuit	4 oz./A	Refer to Pursuit labels for weeds claimed.		
Pursuit DG	1.44 oz./A			

*Sun-IT II may be substituted for crop oil concentrate, and liquid nitrogen fertilizer may be used at 1 to 2% v/v.

MIXING INSTRUCTIONS

Maintain agitation throughout the spray application. Failure to agitate the spray volume may result in improper mixing of the herbicides and unsatisfactory weed control. Mixing and compatibility qualities should be verified by a jar test.

COBRA Herbicide Plus Pursuit Herbicide Tank Mix: Add 1/2 of the required water to the spray tank and begin agitation. Add the required amount of Pursuit and mix thoroughly. Then add the required amount of COBRA and continue mixing. Finally, add the required amount of surfactant or the 28% N liquid fertilizer or ammonium sulfate (spray grade) or crop oil concentrate or Sun-IT and the remaining water.

Use Restrictions for COBRA Herbicide Plus Pursuit Herbicide Tank Mix:

1. Always read and follow all label directions when using any pesticide alone or in tank mix combinations. **The most restrictive labeling applies when using a tank mix.**
2. Do not apply the COBRA Plus Pursuit tank mix less than 85 days before harvesting soybeans.
3. Do not graze treated fields or harvest for forage hay.
4. Do not apply the COBRA plus Pursuit tank mix if rain is expected within 1 hour of application or unsatisfactory weed control may result.
5. Refer to the crop rotational restrictions stated on the Pursuit label.

**TANK MIX WITH SCEPTER® HERBICIDE
FOR CONTROL OF BROADLEAF WEEDS IN SOYBEANS**

GENERAL INFORMATION

For best results, the COBRA plus Scepter tank mix should be applied to actively growing weeds.

Do not apply COBRA and Scepter tank mix during periods when the soybeans and the weeds are under stress or when conditions do not favor active weed growth.

Refer to the COBRA soybean label for application timing.

Table 16S.

**COBRA Herbicide & Scepter Herbicide Tank Mix –
Soybeans – Rate and Time of Application Table.**

Product	Product Rate	Weeds Controlled/ Leaf Stage	Adjuvant
COBRA	12.5 fl. oz./A	Refer to Table 2S	0.25% v/v non-ionic surfactant
			Do Not Use Crop Oil Concentrate or Vegetable Oil.
plus Scepter			
			Maximum Leaf Stage
Scepter or 70DG	4 oz./A 1 oz./A	Cocklebur Pigweed	12 12

MIXING INSTRUCTIONS

Maintain agitation throughout the spray application. Failure to agitate the spray volume may result in improper mixing of the herbicides and unsatisfactory weed control. Mixing and compatibility qualities should be verified by a jar test.

COBRA Herbicide plus SCEPTER Herbicide Tank Mix: Add 1/2 of the required water to the spray tank and begin agitation. Add the required amount of SCEPTER and mix thoroughly. Then add the required amount of COBRA and continue mixing. Finally, add the required amount of non-ionic surfactant and the remaining water.

Use Restrictions for COBRA Herbicide plus Scepter Herbicide Tank Mix:

1. Always read and follow all label directions when using any pesticide alone or in tank mix combinations. **The most restrictive labeling applies when using a tank mix.**
2. Do not apply the COBRA plus Scepter tank mix less than 90 days before harvesting soybeans.
3. Do not apply the COBRA plus Scepter tank mix by air.
4. Do not graze animals on green forage or stubble. Do not utilize hay or straw for animal feed or bedding.
5. Do not apply the COBRA plus Scepter tank mix if rain is expected within 2 hours of application or unsatisfactory weed control may result.
6. Refer to the Scepter label for regional use and rotational crop restrictions.

**TANK MIX WITH RELIANCE® STS™ HERBICIDE
FOR CONTROL OF BROADLEAF WEEDS IN STS SOYBEANS**

GENERAL INFORMATION

For best results, the COBRA plus Reliance STS tank mix should be applied to actively growing weeds.

Do not apply the COBRA and Reliance STS tank mix during periods when the soybeans and the weeds are under stress or when conditions do not favor active weed growth.

Refer to the COBRA soybean label for application timing.

To control annual grasses, add SELECT 2 EC Herbicide at 8 to 10 fl. oz/A to the tank mix. (Refer to SELECT 2 EC Herbicide label for grasses controlled.)

Table 17S.

**COBRA Herbicide & Reliance STS Herbicide Tank Mix –
Soybeans – Rate and Time of Application Table.**

Product	Product Rate	Weeds Controlled/ Leaf Stage	Adjuvant		
COBRA	4 to 8 fl. oz./A		0.5% v/v Crop Oil Concentrate/A		
COBRA Rate/A			8 fl. oz.	6 fl. oz.	4 fl. oz.
Plus Reliance STS			Maximum Leaf Stage		
Reliance STS	0.5 oz./A	Nightshade (Black or Eastern Black)	4	3	2
		Waterhemp (Tall or Common)	6	4	2
Refer to Reliance STS label for weeds claimed.					

MIXING INSTRUCTIONS

Maintain agitation throughout the spray application. Failure to agitate the spray volume may result in improper mixing of the herbicides and unsatisfactory weed control. Mixing and compatibility qualities should be verified by a jar test.

COBRA Herbicide plus Reliance STS Herbicide Tank Mix: Add 1/2 of the required water to the spray tank and begin agitation. Add the required amount of Reliance STS and mix thoroughly. Then add the required amount of COBRA and continue mixing. Finally, add the required amount of crop oil concentrate, non-ionic surfactant and/or the nitrogen fertilizer and the remaining water.

Use Restrictions for COBRA Herbicide plus Reliance STS Herbicide Tank Mix:

1. Always read and follow all label directions when using any pesticide alone or in tank mix combinations. **The most restrictive labeling applies when using a tank mix.**
2. Do not apply the COBRA plus Reliance STS tank mix less than 60 days before harvesting soybeans.
3. Do not graze animals on green forage or stubble. Do not utilize hay or straw for animal feed or bedding.
4. Do not apply the COBRA plus Reliance STS tank mix if rain is expected within 1 hour of application or unsatisfactory weed control may result.
5. Refer to the Reliance STS label for restrictions on soil pH, minimum recropping interval and rotational guidelines.

**TANK MIX WITH SYNCHRONY® STS™ HERBICIDE
FOR CONTROL OF BROADLEAF WEEDS IN STS SOYBEANS**

GENERAL INFORMATION

For best results, the COBRA plus Synchrony STS tank mix should be applied to actively growing weeds.

Do not apply the COBRA plus Synchrony STS tank mix during periods when the soybeans and the weeds are under stress or when conditions do not favor active weed growth.

Refer to the COBRA soybean label for application timing.

To control annual grasses, add SELECT 2 EC Herbicide at 8 to 10 fl. oz./A to the tank mix. (Refer to the SELECT 2 EC Herbicide label for grasses controlled).

Table 18S.

**COBRA Herbicide & Synchrony STS Herbicide Tank Mix –
Soybeans – Rates and Time of Application Table.**

Product	Product Rates	Weeds Controlled/ Leaf Stage	Adjuvant		
			8 fl. oz.	6 fl. oz.	4 fl. oz.
COBRA	4 to 8 fl. oz./A		0.5% v/v Crop Oil Concentrate/A		
COBRA Rate/A					
plus Synchrony STS					
			Maximum Leaf Stage		
Synchrony STS	0.5 oz./A	Nightshade (Black or Eastern Black)	4	3	2
		Waterhemp (Tall or Common)	6	4	2
Refer to Synchrony STS label for weeds claimed.					

MIXING INSTRUCTIONS

Maintain agitation throughout the spray application. Failure to agitate the spray volume may result in improper mixing of the herbicides and unsatisfactory weed control. Mixing and compatibility qualities should be verified by a jar test.

COBRA Herbicide Plus Synchrony STS Herbicide Tank Mix: Add 1/2 of the required water to the spray tank and begin agitation. Add the required amount of Synchrony STS and mix thoroughly. Then add the required amount of COBRA and continue mixing. Finally, add the required amount of crop oil concentrate, non-ionic surfactant and/or the nitrogen fertilizer and the remaining water.

Use Restrictions for COBRA Herbicide Plus Synchrony STS Herbicide Tank Mix:

1. Always read and follow all label directions when using any pesticide alone or in tank mix combinations. **The most restrictive labeling applies when using a tank mix.**
2. Do not apply the COBRA plus Synchrony STS tank mix less than 60 days before harvesting soybeans.
3. Do not graze animals on green forage or stubble. Do not utilize hay or straw for animal feed or bedding.
4. Do not apply the COBRA plus Synchrony STS tank mix if rain is expected within 1 hour of application or unsatisfactory weed control may result.
5. Refer to the Synchrony STS label for restrictions on soil pH, minimum recropping interval and rotational guidelines.

**TANK MIX WITH ROUNDUP ULTRA® HERBICIDE
FOR CONTROL OF BROADLEAF WEEDS IN ROUNDUP READY® SOYBEANS**

GENERAL INFORMATION

Tank mix with Roundup Ultra on Roundup Ready soybeans for broadleaf weed control.

Table 19S.

**COBRA Herbicide & Roundup Ultra Tank Mix* -
Soybeans – Rates and Time of Application Table.**

Product	Product Rates **	Weeds Controlled	Maximum Leaf Stage
Roundup Ultra	Refer to Roundup Ultra label for rates	Refer to Roundup Ultra label for weeds controlled and weed sizes	
COBRA +	+ 6 to 8 fl. oz.	Annual Morningglory Species Nightshade, Black Ragweeds Common Giant Velvetleaf Waterhemp	4 leaf 4 leaf 6 leaf 4 leaf 4 leaf 6 leaf

Refer to COBRA label for additional weeds controlled.

*This tank mix may be antagonistic to some grasses when stress conditions exist.

**Spray grade ammonium sulfate (AMS) at 2.5 to 4.0 lbs./A is required.

Note: The tank mix of COBRA and Roundup Ultra plus AMS as recommended above will also provide white mold suppression when applied at the proper timing. Refer to COBRA white mold suppression (Table 6S) for further use directions.

Use Restrictions for COBRA Herbicide plus Roundup Ultra Herbicide Tank Mix:

1. Always read and follow all label directions when using any pesticide alone or in tank mix combinations. **The most restrictive labeling applies when using a tank mix.**
2. This tank mix may be applied postemergence to **Roundup Ready soybeans** up through the full flowering stage. Do not apply later than 45 days before harvest or after growth stage R6 (full seed).
3. Avoid contact with foliage, green stems or fruit crops, or any desirable plants and trees, other than soybeans with the Roundup Ready gene as severe injury or destruction will result.
4. Do not allow the COBRA plus Roundup to mist, drip, drift or splash onto desirable vegetation as minute quantities of the tank mix can cause severe damage or destruction to the crops, plants or other areas on which treatment was not intended. The likelihood of injury occurring from drift of this product is greatest when winds are gusty or in excess of 5 miles per hour. Even under lesser wind velocities, avoid conditions that allow spray drift to occur, such as combinations of spray pressure and nozzle type that will result in fine particles (mist) that are likely to drift.
5. Do not apply this tank mix to soybeans already infected with white mold when white mold suppression is a reason for use.

**TANK MIX WITH FIRSTRATE® HERBICIDE
FOR CONTROL OF EMERGED WEEDS IN SOYBEANS**

GENERAL INFORMATION

For best results, the COBRA plus FirstRate tank mix should be applied to actively growing weeds.

Do not apply the COBRA and FirstRate tank mix during periods when the soybeans and the weeds are under stress or when conditions do not favor active weed growth.

To control annual and perennial grasses, add SELECT 2 EC Herbicide at 6 to 10 fl. oz./A to the tank mix. (Refer to SELECT 2 EC Herbicide label for grasses controlled and more specific rate recommendations.) A minimum of 6 fl. oz./A of SELECT 2 EC Herbicide is recommended for the control of annual grasses and a minimum of 8 fl. oz./A of SELECT 2 EC Herbicide for the control of perennial grasses.

Table 20S.

**COBRA Herbicide & FirstRate Herbicide Tank Mix –
Soybeans – Rates and Time of Application Table.**

Product	Product Rate*	Broadleaf Weeds	
		Controlled	Maximum Leaf Size
COBRA**	6 to 8 fl. oz./A	Annual Morningglory	4 leaf
		Cocklebur, Common	8 leaf
+	+	Jimsonweed	4 leaf
		Mallow, Venice	4 leaf
FirstRate	0.3 oz./A	Nightshade, Black	3 to 4 leaf
		Pigweeds	
		Redroot	6 leaf
		Smooth	6 leaf
		Ragweed	
		Common	8 leaf
		Giant	6 leaf
		Sunflower, Common	8 leaf
		Velvetleaf	4 leaf
		Waterhemp	
		Common	4 to 6 leaf
		Tall	4 to 6 leaf

Adjuvant: The COBRA plus FirstRate tank mix must be applied with crop oil concentrate or methylated seed oil containing at least 15% emulsifier at 0.5 to 1.0% v/v (but not less than 1 pt./A) plus 2.5% v/v UAN (28% N or 32% N). AMS at 2.0 lb./A may be substituted for UAN.

*Use the higher rate of COBRA when weeds are near maximum height or when weed pressure is moderate to high.

**COBRA rates of 10 to 12.5 fl. oz./A can also be tank mixed with FirstRate (0.3 oz./A). Refer to Table 2S and 8S on the COBRA label for weeds controlled. When COBRA at 10 to 12.5 fl. oz./A is tank mixed with FirstRate, the minimum SELECT 2 EC Herbicide rate to be tank mixed is 8 to 10 fl. oz./A.

Use Restrictions for COBRA Herbicide plus FirstRate Herbicide Tank Mix:

1. Always read and follow all label directions when using any pesticide alone or in tank mix combinations. **The most restrictive labeling applies when using a tank mix.**
2. Do not apply the COBRA plus FirstRate tank mix less than 65 days before harvesting soybeans.
3. Do not graze animals on green forage or stubble. Do not utilize hay or straw for animal feed or bedding.
4. Do not apply the COBRA plus FirstRate tank mix if rain is expected within 1 hour of application or unsatisfactory weed control may result.
5. Refer to the FirstRate label for instructions on pre-mixing (slurry) of water soluble packets and mixing order for tank mixes.
6. Observe all rotation restrictions on the FirstRate label.
7. Apply on a broadcast basis in 10 to 20 gals. water per acre and at a spray pressure of 30 to 40 PSI at the nozzle. A minimum of 20 gals. water per acre and 40 PSI should be used when one or more of the following conditions exist: a) weeds are approaching the upper height limit; or b) weed populations are moderate to heavy. Apply using flat fan (including split nozzle systems which spray in opposite directions) or hollow cone nozzles designed to deliver the desired spray pressure and spray volume. Do not use flood nozzles.

GRASS HERBICIDE TANK MIXES WITH COBRA HERBICIDE

TANK MIX WITH SELECT 2 EC HERBICIDE FOR CONTROL OF BROADLEAF AND GRASS WEEDS IN SOYBEANS

GENERAL INFORMATION

For best results, the COBRA plus SELECT 2 EC Herbicide tank mix should be applied to actively growing weeds.

Do not apply COBRA tank mixtures during periods when the soybeans and the weeds are under stress or when conditions do not favor active weed growth.

Refer to the COBRA soybean label for application timing.

TANK MIX GEOGRAPHIC USE AREA

Refer to the SELECT 2 EC Herbicide label for defined application areas and rates. COBRA Herbicide does not have application area restrictions.

Table 21S.

COBRA Herbicide & SELECT 2 EC Herbicide Tank Mix – Soybeans – Rate and Time of Application Table.

Product	Product Rate	Weeds Controlled/ Weed Size	Adjuvant
COBRA	12.5 fl. oz./A	Refer to Table 2S	0.5% to 1% v/v Crop Oil Concentrate/A for ground applications 1% v/v Crop Oil Concentrate for aerial applications

plus SELECT 2 EC Herbicide

SELECT 2 EC Herbicide*

Refer to the SELECT 2 EC Herbicide label for ANNUAL and PERENNIAL grasses controlled and use rate.

*If regrowth of grasses occurs, make a second application of SELECT 2 EC Herbicide timed to grass weed size noted on the SELECT 2 EC Herbicide label.

SEQUENTIAL APPLICATION WITH COBRA HERBICIDE AND SELECT 2 EC Herbicide

Sequential Applications with COBRA Herbicide

Some reduction in grass control is possible when SELECT 2 EC herbicide is sequentially applied immediately prior to or after an application of COBRA Herbicide.

- After an application of SELECT 2 EC Herbicide wait a minimum of 24 hours before applying COBRA Herbicide.
- In fields treated with COBRA Herbicide, do not apply SELECT 2 EC Herbicide until grass plants are again developing new leaves (generally 7 days after the COBRA Herbicide application).
- Refer to the SELECT 2 EC Herbicide label for application areas and rates.

MIXING INSTRUCTIONS

Maintain agitation throughout the spray application. Failure to agitate the spray volume may result in improper mixing of the herbicides and unsatisfactory weed control. Mixing and compatibility qualities should be verified by a jar test.

COBRA Herbicide Plus SELECT 2 EC Herbicide Tank Mix: Add 1/2 of the required water to the spray tank and begin agitation. Add the required amount of SELECT 2 EC Herbicide and mix thoroughly. Then add the required amount of COBRA and continue mixing. Finally, add the required amount of crop oil concentrate and the remaining water.

Use Restrictions for COBRA Herbicide Plus SELECT 2 EC Herbicide Tank Mix:

1. Always read and follow all label directions when using any pesticide alone or in tank mix combinations. **The most restrictive labeling applies when using a tank mix.**
2. Do not apply the COBRA plus SELECT 2 EC Herbicide tank mix less than 60 days before harvesting soybeans.
3. Do not graze treated fields or harvest for forage hay.
4. Do not apply the COBRA plus SELECT 2 EC Herbicide tank mix if rain is expected within 1 hour of application or unsatisfactory weed control may result.
5. Do not apply COBRA plus SELECT 2 EC Herbicide to plants stressed due to insufficient moisture. Weeds under this condition frequently become less sensitive to herbicide activity.
6. Do not cultivate within 7 days before or 7 days after an application of SELECT 2 EC Herbicide as control may be unsatisfactory.
7. Do not apply COBRA plus SELECT 2 EC Herbicide when environmental conditions are such that drift to other crops and non-target areas is possible.

**TANK MIX WITH ASSURE®/ASSURE II HERBICIDE FOR
CONTROL OF BROADLEAF AND GRASS WEEDS IN SOYBEANS**

GENERAL INFORMATION

For best results, the COBRA plus Assure/Assure II tank mix should be applied to actively growing weeds.

Do not apply COBRA tank mixtures during periods when the soybeans and the weeds are under stress or when conditions do not favor active weed growth.

Refer to the COBRA soybean label for application timing.

TANK MIX GEOGRAPHIC USE AREA

Refer to the Assure/Assure II Herbicide labels for defined application areas and rates. COBRA Herbicide does not have application area restrictions.

Table 22S

**COBRA Herbicide & Assure/Assure II Herbicide Tank Mix –
Soybeans – Rate and Time of Application Table.**

Product	Product Rate	Weeds Controlled/ Leaf Stage	Adjuvant
COBRA	12.5 fl. oz./A	Refer to Table 2S	0.5% v/v Crop Oil Concentrate/A
plus Assure/Assure II			
Assure*	Refer to the Assure label for ANNUAL and PERENNIAL grasses controlled and use rate.		
Assure II**	Refer to the Assure II label for ANNUAL and PERENNIAL grasses controlled and use rate.		

*The COBRA Herbicide and Assure tank mix may show some reduction in grass control over application of Assure alone.

**The COBRA Herbicide Assure II tank mix may show some reduction in grass control over application of Assure II alone.

**SEQUENTIAL APPLICATION WITH
COBRA HERBICIDE AND ASSURE/ASSURE II**

Sequential Applications with COBRA Herbicide

Some reduction in grass control is possible when Assure/Assure II is sequentially applied immediately prior to or after an application of COBRA Herbicide.

- After an application of Assure/Assure II wait a minimum of 24 hours before applying COBRA Herbicide.
- In fields treated with COBRA Herbicide, do not apply Assure/Assure II until grass plants are again developing new leaves (generally 7 days after the COBRA Herbicide application).
- Refer to the Assure/Assure II label for application areas and rates.

MIXING INSTRUCTIONS

Maintain agitation throughout the spray application. Failure to agitate the spray volume may result in improper mixing of the herbicides and unsatisfactory weed control. Mixing and compatibility qualities should be verified by a jar test.

COBRA Plus Assure/Assure II Tank Mix: Add 1/2 of the required water to the spray tank and begin agitation. Add the required amount of Assure/Assure II and mix thoroughly. Then add the required amount of COBRA and continue mixing. Finally, add the required amount of crop oil concentrate and the remaining water.

Use Restrictions for COBRA Herbicide Plus Assure/Assure II Tank Mix:

1. Always read and follow all label directions when using any pesticide alone or in tank mix combinations. **The most restrictive labeling applies when using a tank mix.**
2. Do not apply the COBRA plus Assure/Assure II tank mix less than 80 days before harvesting soybeans.
3. Do not graze treated fields or harvest for forage hay.
4. Do not apply the COBRA plus Assure/Assure II tank mix if rain is expected within 1 hour of application or unsatisfactory weed control may result.
5. Do not use vegetable (crop origin) oils as spray adjuvant or carrier.
6. Do not apply Assure/Assure II to plants stressed due to insufficient moisture. Grass weeds under this condition frequently become less sensitive to herbicide activity.
7. Do not cultivate within 7 days before or 7 days after an application of Assure/Assure II as control may be unsatisfactory.
8. Do not apply Assure/Assure II when environmental conditions are such that drift to other crops and non-target areas is possible. Grass crops such as corn, sorghum, wheat, rice, etc. are highly sensitive to Assure/Assure II.
9. Do not apply after pod set.

**TANK MIX WITH FUSILADE® DX HERBICIDE
FOR CONTROL OF BROADLEAF AND GRASS WEEDS IN SOYBEANS**

GENERAL INFORMATION

For best results, the COBRA plus Fusilade DX Herbicide tank mix should be applied to actively growing weeds.

Do not apply COBRA tank mixtures during periods when the soybeans and the weeds are under stress or when conditions do not favor active weed growth.

Refer to the COBRA soybean label for application timing.

TANK MIX GEOGRAPHIC USE AREA

Refer to the Fusilade DX Herbicide label for defined application areas and rates. COBRA Herbicide does not have application area restrictions.

Table 23S.

**COBRA Herbicide & Fusilade DX Herbicide Tank Mix –
Soybeans – Rate and Time of Application Table.**

Product	Product Rate	Weeds Controlled/ Weed Size	Adjuvant
COBRA	12.5 fl. oz./A	Refer to Table 2S	0.5% v/v Crop Oil Concentrate/A
Plus Fusilade DX			
Fusilade DX	Refer to the Fusilade DX Herbicide label for ANNUAL and PERENNIAL grasses controlled and use rate.		

**SEQUENTIAL APPLICATION WITH
COBRA HERBICIDE AND FUSILADE DX HERBICIDE**

Sequential Applications with COBRA Herbicide

Some reduction in grass control is possible when Fusilade DX Herbicide is sequentially applied immediately prior to or after an application of COBRA Herbicide.

- After an application of Fusilade DX Herbicide wait a minimum of 24 hour before applying COBRA Herbicide.
- In fields treated with COBRA Herbicide, do not apply Fusilade DX Herbicide until grass plants are again developing new leaves (generally 7 days after the COBRA Herbicide application).
- Refer to the Fusilade DX label for application areas and rates.

MIXING INSTRUCTIONS

Maintain agitation throughout the spray application. Failure to agitate the spray volume may result in improper mixing of the herbicides and unsatisfactory weed control. Mixing and compatibility qualities should be verified by a jar test.

COBRA Herbicide Plus Fusilade DX Herbicide Tank Mix: Add 1/2 of the required water to the spray tank and begin agitation. Add the required amount of Fusilade DX and mix thoroughly. Then add the required amount of COBRA and continue mixing. Finally, add the required amount of crop oil concentrate and the remaining water.

Use Restrictions for COBRA Herbicide Plus Fusilade DX Herbicide Tank Mix:

1. Always read and follow all label directions when using any pesticide alone or in tank mix combinations. **The most restrictive labeling applies when using a tank mix.**
2. Do not apply the COBRA plus Fusilade DX Herbicide tank mix less than 90 days before harvesting soybeans.
3. Do not graze treated fields or harvest for forage hay.
4. Do not apply the COBRA plus Fusilade DX Herbicide tank mix if rain is expected within 1 hour of application or unsatisfactory weed control may result.
5. Make the last Fusilade DX Herbicide application to soybeans before bloom.
6. Do not plant rotational grass crops such as corn, sorghum, and cereals within 60 days of last application of Fusilade DX Herbicide.
7. Avoid drift to all other crops and non-target areas. Grass crops are highly susceptible to Fusilade DX Herbicide.

**TANK MIX WITH OPTION® HERBICIDE
FOR CONTROL OF BROADLEAF AND GRASS WEEDS IN SOYBEANS**

GENERAL INFORMATION

For best results, the COBRA plus Option tank mix should be applied to actively growing weeds.

Do not apply COBRA tank mixtures during periods when the soybeans and the weeds are under stress or when conditions do not favor active weed growth.

Refer to the COBRA soybean label for application timing.

TANK MIX GEOGRAPHIC USE AREA

Refer to the Option Herbicide label for defined application areas and rates. COBRA Herbicide does not have application area restrictions.

Table 24S.

**COBRA Herbicide & Option Herbicide Tank Mix –
Soybeans – Rate and Time of Application Table.**

Product	Product Rate	Weeds Controlled/ Weed Size	Adjuvant
COBRA	12.5 fl. oz./A	Refer to Table 2S	0.5% v/v Crop Oil Concentrate/A
plus Option			
Option	Refer to the Option label for ANNUAL and PERENNIAL grasses controlled and use rate.		

**SEQUENTIAL APPLICATION WITH
COBRA HERBICIDE AND OPTION HERBICIDE**

Sequential Applications with COBRA Herbicide

Some reduction in grass control is possible when Option is sequentially applied immediately prior to or after an application of COBRA Herbicide.

- After an application of Option, wait a minimum of 24 hours before applying COBRA Herbicide.
- In fields treated with COBRA Herbicide, do not apply Option until grass plants are again developing new leaves (generally 7 days after the COBRA Herbicide application).
- Refer to the Option label for application areas and rates.

MIXING INSTRUCTIONS

Maintain agitation throughout the spray application. Failure to agitate the spray volume may result in improper mixing of the herbicides and unsatisfactory weed control. Mixing and compatibility qualities should be verified by a jar test.

COBRA Plus Option Tank Mix: Add 1/2 of the required water to the spray tank and begin agitation. Add the required amount of Option and mix thoroughly. Then add the required amount of COBRA and continue mixing. Finally, add the required amount of crop oil concentrate and the remaining water.

Use Restrictions for COBRA Plus Option Tank Mix:

1. Always read and follow all label directions when using any pesticide alone or in tank mix combinations. **The most restrictive labeling applies when using a tank mix.**
2. Do not apply the COBRA plus Option tank mix less than 90 days before harvesting soybeans.
3. Do not graze treated fields or harvest for forage hay.
4. Do not apply the COBRA plus Option tank mix if rain is expected within 4 hours of application or unsatisfactory weed control may result.

COBRA HERBICIDE SEQUENTIAL AFTER SOIL APPLIED HERBICIDE

PURSUIT PLUS® HERBICIDE FOLLOWED BY REDUCED RATES OF COBRA HERBICIDE

GENERAL INFORMATION

Do not apply COBRA during periods when soybeans and the weeds are under stress or when conditions do not favor active weed growth. COBRA should be applied to small, actively growing weeds (normally 14 to 21 days after planting). A timely cultivation approximately one week to ten days after the application of COBRA will assist in weed control.

IMPORTANT

Read and carefully observe all the precautionary statements, instructions, rotational restrictions and other information appearing on each product's package label.

Table 25S.

**Pursuit Plus Herbicide and COBRA Herbicide Sequential –
Soybeans – Rates and Time of Application Table.**

Product	Product Rates	Weeds Controlled/ Weed Size	Adjuvant		
Pursuit Plus		Refer to Pursuit Plus label for weeds claimed	None		
post emerge					
COBRA	6 to 12.5 fl. oz./A	Refer to Table 2S for weeds controlled at 12.5 fl. oz./A	Refer to Table 1S		
COBRA Rate/A			10 fl. oz.	8 fl. oz.	6 fl. oz.
			Maximum Leaf Stage		
Common Cocklebur			6	4	2
Common Ragweed			8	6	6

Use Restrictions for Pursuit Plus followed by COBRA Herbicide:

1. Always read and follow all label directions when using any pesticide alone or sequentially. **The most restrictive labeling applies when using a tank mix.**
2. Do not apply the COBRA less than 90 days before harvesting soybeans.
3. Do not graze treated fields or harvest for forage hay.
4. Do not apply the COBRA if rain is expected within 30 minutes of application or unsatisfactory weed control may result.

**PASSPORT® HERBICIDE FOLLOWED BY
REDUCED RATES OF COBRA HERBICIDE**

GENERAL INFORMATION

Following an application of Passport, a postemergence application with COBRA may be applied for control of additional broadleaf weed species at lower rates than possible following other preemergence herbicides.

Do not apply COBRA during periods when soybeans and the weeds are under stress or when conditions do not favor active weed growth. COBRA should be applied to small, actively growing weeds (normally 14 to 21 days after planting). A timely cultivation approximately one week to ten days after the application of COBRA will assist in weed control.

IMPORTANT

Read and carefully observe all the precautionary statements, instructions, rotational restrictions and all other information appearing on each product's package label.

Table 26S.

**Passport Herbicide and COBRA Herbicide Sequential –
Soybeans – Rates and Time of Application Table.**

Product	Product Rate	Weeds Controlled/ Weed Size	Adjuvant		
Passport		Refer to Passport label for weeds controlled	None		
post emerge					
COBRA	6 to 12.5 fl. oz./A	Refer to Table 2S for weeds controlled at 12.5 fl. oz./A	Refer to Table 1S		
	COBRA Rate/A		10 fl. oz.	8 fl. oz.	6 fl. oz.
			Maximum Leaf Stage		
		Common Cocklebur	6	4	2
		Common Ragweed	8	6	6

Use Restrictions for Passport Herbicide followed by COBRA Herbicide:

1. Always read and follow all label directions when using any pesticide alone or sequentially. **The most restrictive labeling applies when using a tank mix.**
2. Do not apply the COBRA less than 85 days before harvesting soybeans.
3. Do not graze treated fields or harvest for forage hay.
4. Do not apply the COBRA if rain is expected within 30 minutes of application or unsatisfactory weed control may result.

COBRA HERBICIDE FOR POST DIRECTED APPLICATION IN COTTON

GENERAL INFORMATION

COBRA Herbicide is a broad spectrum contact herbicide for postemergence directed control of broadleaf weeds in cotton. The postemergence directed applications of COBRA or COBRA tank mixes should use equipment designed to minimize spray solution contacting the cotton plant. This equipment would include spray nozzles positioned a minimum of 3 inches above the soil surface and angled backward so that the spray solution discharges to the rear and underneath the row canopy, nozzles as described above with leaf lifters or shields and/or plastic preformed hooded sprayers positioned to run between the cotton rows, all of which are designed to help reduce spray contact with the cotton plant.

Apply COBRA postemergence as a directed spray application following a preplant incorporated or preemergence herbicide(s) for early season control of grasses and broadleaf weeds. Use COBRA Herbicide as a postemergence directed application when the cotton plant has reached a minimum height of 6 inches and a height difference of 3 to 5 inches has been established between the lower leaves of the cotton plant and the top of the broadleaf weeds.

COBRA Herbicide may also be applied as a layby application after cotton has reached a height of 12 inches or more. Layby applications of COBRA Herbicide will control broadleaf weeds that do not exceed leaf stage recommendations listed in Table 6C of this label. For enhanced control of large mid to late season problem broadleaf weeds, a tank mix of COBRA Herbicide with Bladex, Karmex or MSMA is required. Refer to the label section on TANK MIXES for specific recommendations. Use of a crop oil concentrate or a non-ionic surfactant is required. Refer to the label section on ADJUVANTS for specific recommendation.

Under conditions of normal weed growth, COBRA may be applied up to 30 minutes before rainfall without reducing weed control.

RESTRICTIONS AND LIMITATIONS

- Do not apply more than 12.5 fl. oz./A (0.20 lb. ai/A) of COBRA per application.
- Do not exceed a combined rate of 25 fl. oz./A (0.40 lb. ai/A) of COBRA per season.
- Do not make a sequential application of COBRA within 14 days of the first application.
- Do not make more than two (2) COBRA applications per season.
- Do not apply COBRA to cotton later than 70 days before harvest.
- Do not graze animals on green forage or stubble.
- Do not utilize hay or straw for animal feed or bedding.

Groundwater Advisory

This chemical (lactofen) has properties and characteristics associated with chemicals detected in groundwater. Acifluorfen, a degradate of this chemical, is known to leach through soil into groundwater under certain conditions as a result of labeled use. Use of this chemical in areas where soils are permeable, particularly where the water table is shallow, may result in groundwater contamination.

COTTON TOLERANCE

Apply COBRA Herbicide to cotton **ONLY** as a **DIRECTED SPRAY** application with nozzles set to deliver the spray mixture toward the base of the cotton plant, as specified in the "Timing" and "Application" sections of this label. Lower leaves which are contacted by the spray mixture will appear spotted or light brown to bronze in color. This response will have no effect on the growth or development of the cotton crop, and all growth following application will be normal.

It is essential to establish a height differential of 3 to 5 inches between the crop and the target weeds prior to application to ensure full coverage of the weed leaf surfaces while minimizing direct contact of the spray mixture with the upper leaves and terminal area of the cotton plant.

COBRA is a contact herbicide. It does not move throughout the cotton plant and it will not vaporize off the soil surface.

DO NOT apply COBRA Herbicide **OVER-THE-TOP** of cotton.

TIMING

Post-Directed: Cotton 6" or more - For best results, COBRA Herbicide should be applied to small, actively growing weeds. Nozzle should be set to spray no higher than the bottom 2 to 3 inches of the cotton stalk (or the top of the bark formation) and still fully cover the target weeds. A properly timed directed spray application will provide control of labeled weeds not larger than indicated in Table 6C.

Layby: Cotton 12" or more - When weed heights are larger than those listed in Table 6C, a tank mix of COBRA plus Bladex, Karmex or MSMA is required. Nozzles should be set to spray no higher than the bottom 1/3 of the cotton stalk (up to the first fruiting node) and still fully cover the target weeds. Use of tank mix combinations will provide better control of larger late season troublesome weeds in cotton. See Table 7C for weed size recommendations for COBRA tank mix combinations. Refer to the label section on **TANK MIXES** for specific use directions.

Apply COBRA under conditions that promote active weed growth. DO NOT apply COBRA Herbicide when weeds are under stress. Weeds under stress tend to "harden off" and become less susceptible to herbicide activity. **DO NOT** apply COBRA Herbicide under conditions of drought or when rainfall has been less than 1 inch in a consecutive 2 week period, when excessive water has saturated the field for 3 or more consecutive days or when high temperatures are in combination with low soil moisture or in combination with low humidity. Applying COBRA Herbicide under these conditions may result in unsatisfactory weed control.

Conditions such as those described above which precede or immediately follow a COBRA application may adversely affect the performance of the herbicide.

DIRECTED BAND APPLICATION

Directed row banding is required for use of COBRA Herbicide in cotton. Two nozzles per row, one on each side, are required for postemergence directed application. Tractor ground speed should not exceed 5 mph. The spray equipment used should accurately direct the spray pattern to the base of the cotton plant to minimize contact with the cotton plant and provide good coverage of the target weeds. Spray nozzles should be positioned a minimum of 3 inches above the soil surface and angled backward so that the spray solution discharges to the rear and under the row canopy. The use of leaf lifters or shields on application equipment is recommended to help reduce spray contact with the cotton plant. Row banding equipment should be adjusted to provide maximum coverage of weeds in the banding area.

SPRAYER CALIBRATION

FIELD CALIBRATE YOUR SPRAYER: Improper calibration will adversely affect the spray pattern and reduce weed control. Delivery rates shown in equipment catalogs may not accurately reflect your actual delivery rate. When calibrating, spray pressure should be measured at the spray nozzle to assure accurate delivery rates. Refer to manufacturer's chart for recommended spray volume, spray pressure and ground speed for the nozzles and the directed spray system you are using.

HERBICIDE RATES, ADJUVANT RATES AND SPRAY VOLUME RECOMMENDATIONS are presented as BROADCAST EQUIVALENTS, and must be reduced in proportion to the area actually treated. Use the following formulas to calculate the correct rate and volume per planted (field) acre:

$\frac{\text{Band Width (inches)}}{\text{Row Width (inches)}}$	X	Broadcast Rate/Acre	=	Amount of Herbicide Needed per Field Acre
$\frac{\text{Band Width (inches)}}{\text{Row Width (inches)}}$	X	Broadcast Volume/Acre	=	Amount of Water Needed per Field Acre

CULTIVATION

When postemergence directing COBRA Herbicide at the same time as cultivation, the spray nozzles must be positioned in front of the cultivation equipment. Applying COBRA Herbicide at the time of cultivation under dry soil conditions will cause excessive dust which will prevent proper contact between COBRA Herbicide and the weed surface. This reduced contact will decrease weed control activity. In addition, applying COBRA Herbicide while cultivating at ground speeds greater than 5 mph will prevent good coverage of the weed surface by the spray solution and reduce weed control activity.

APPLICATION RATES

COBRA APPLIED ALONE: Apply COBRA Herbicide at a rate of 12.5 fl. oz. per acre on a broadcast basis. The sprayer must be equipped with flat fan or off-center fan nozzles designed to deliver 10 to 30 gals. of water per acre when operated at a spray pressure of 20 to 30 PSI measured at the nozzle. Pressures greater than 30 PSI may cause the spray mist to move upward into the cotton canopy resulting in severe crop injury.

Table 1C.

APPLICATION RATES
Post-Directed: COTTON 6" or More
OR layby: COTTON 12" or More
COBRA HERBICIDE

Application Timing	Broadcast Rate/Acre	Comments
Post-directed: COTTON 6" or more OR	12.5 fl. oz	Reduce broadcast rate in proportion to band area actually treated (See SPRAYER CALIBRATION).
Layby: COTTON 12" or more		

ADJUVANTS

The use of recommended adjuvants has consistently enhanced weed control over a wide range of application conditions.

For Post-directed application of COBRA to cotton at least 6" tall, use either a non-ionic surfactant at 2 pts. per 100 gals. spray solution; **OR** crop oil concentrate at 0.5 to 1 pt. per acre (broadcast basis), if bark formation has begun.

For Layby application of COBRA to cotton 12" tall (or more), use a crop oil concentrate at 1 to 2 pts. per acre (broadcast basis).

TABLE 2C.

ADJUVANT RECOMMENDATIONS			
Application Timing	Ajuvant	Broadcast Rate/Acre	Comments
Post-directed: COTTON 6" or more	Crop Oil Concentrate	0.5 to 1 pt. (8 to 16 fl. oz.)	Reduce broadcast rate in proportion to band area actually treated (See SPRAYER CALIBRATION).
	OR	Non-ionic Surfactant	2 pts. per 100 gals. spray solution
Layby: COTTON 12" or more	Crop Oil Concentrate	1 to 2 pts. (16 to 32 fl. oz.)	Reduce broadcast rate in proportion to band area actually treated (See SPRAYER CALIBRATION).

TANK MIXES

COBRA plus Bladex: Apply a tank mix combination of COBRA Herbicide plus Bladex 90DF, 80W or 4L at layby after cotton has attained a minimum height of 12 inches and before weeds are larger than listed in Table 7C. Apply COBRA Herbicide at a rate of 12.5 fl. oz. per acre plus Bladex at a rate of 0.66 to 1.11 lbs. of 90DF, 0.75 to 1.25 lbs. of 80W, or 0.7 to 1.0 qt. of 4L per acre on a broadcast basis. The sprayer must be equipped with flat fan or off-center fan nozzles designed to deliver 10 to 30 gals. of water per acre when operated at a spray pressure of 20 to 30 PSI measured at the nozzle. Pressures greater than 30 PSI may cause the spray mist to move upward into the cotton canopy resulting in crop injury. Use of a crop oil concentrate spray additive is required at the rate of 1 to 2 pts. per acre.

Table 3C.

COBRA + BLADEX (90 DF, 80W or 4L) TANK MIX APPLICATION RATES			
Application Timing	Product/ Formulation	Broadcast Rate/Acre	Comments
Layby: COTTON 12" or more	COBRA +	12.5 fl. oz.	Reduce broadcast rate in proportion to the band area actually treated (See SPRAYER CALIBRATION).
	Bladex 90DF	0.66 to 1.11 lbs. (10.5 to 17.5 oz.)	
	OR		
	Bladex 80W	0.75 to 1.25 lbs. (12 to 20 oz.)	
	OR		
	Bladex 4L	0.7 to 1 qt. (22 to 32 fl. oz.)	

COBRA plus Karmex: Apply a tank mix combination of COBRA Herbicide plus Karmex 80W, at layby after cotton has attained a minimum height of 12 inches but before weeds are larger than listed in Table 7C. Apply COBRA Herbicide at a rate of 12.5 fl. oz. per acre plus Karmex at a rate of 8.0 to 12.0 oz. per acre on a broadcast basis. The sprayer must be equipped with flat fan or off-center fan nozzles designed to deliver 10 to 30 gals. of water per acre when operated at a spray pressure of 20 to 30 PSI measured at the nozzle. Pressures greater than 30 PSI may cause the spray mist to move upward into the cotton canopy resulting in crop injury. Use of a crop oil concentrate spray additive is required at the rate of 1 to 2 pts. per acre.

Table 4C.

COBRA + KARMEX 80W TANK MIX APPLICATION RATES			
Application Timing	Product/ Formulation	Broadcast Rate/Acre	Comments
Layby: COTTON 12" or more	COBRA + Karmex 80W	12.5 fl. oz. 0.5 to 0.75 lbs. (8 to 12 oz.)	Reduce broadcast rate in proportion to the band area actually treated (See SPRAYER CALIBRATION).

COBRA plus MSMA – (COTTON 6" or more): Apply a tank mix combination of COBRA Herbicide plus MSMA after cotton has attained a minimum height of 6 inches but before cotton reaches the bloom stage. Apply to weeds no larger than listed in Table 6C. Apply COBRA Herbicide at a rate of 12.5 fl. oz. per acre plus MSMA at a rate of 4 pts. per acre of a 4 lbs./gal. or 2.4 pts. per acre of a 6.6 lbs./gal. MSMA on a broadcast basis. The sprayer must be equipped with flat fan or off-center fan nozzles designed to deliver 10 to 30 gals. of water per acre when operated at 20 to 30 PSI measured at the nozzle. Pressure greater than 30 PSI may cause the spray mist to move upward into the cotton canopy resulting in crop injury. While some formulations of MSMA contain added surfactant and provide enough wetting action to enhance COBRA activity, the use of either a non-ionic surfactant at 2 pts. per 100 gals. of spray solution; **OR** a crop oil concentrate at 0.5 to 1 pt. per acre (broadcast basis) may further enhance control of larger weeds.

COBRA plus MSMA – (COTTON 12" or more): Apply a tank mix combination of COBRA Herbicide plus MSMA after cotton has attained a minimum height of 12 inches but before cotton reaches the bloom stage. Apply to weeds no larger than listed in Table 6C. Apply COBRA Herbicide at a rate of 12.5 fl. oz. per acre plus MSMA at a rate of 4 pts. per acre of a 4 lbs./gal. or 2.4 pts. per acre of a 6.6 lbs./gal. MSMA on a broadcast basis. The sprayer must be equipped with flat fan or off-center fan nozzles designed to deliver 10 to 30 gals. of water per acre when operated at 20 to 30 PSI measured at the nozzle. Pressures greater than 30 PSI may cause the spray mist to move upward into the cotton canopy resulting in crop injury. While some formulations of MSMA contain added surfactant and provide enough wetting action to enhance COBRA activity, the use of a crop oil concentrate at 1 to 2 pts. per acre (broadcast basis) may further enhance control of larger weeds.

SELECT 2 EC Herbicide at 6 to 8 fl. oz. per acre can be tank mixed with COBRA Herbicide and MSMA at both application timings to control annual and perennial grasses. Refer to SELECT 2 EC label for grasses and grass height to be controlled.

Table 5C.

COBRA + MSMA TANK MIX
Post-Directed: COTTON 6" or More
OR Layby: COTTON 12" or More
APPLICATION RATES

Application Timing	Product/Formulation	Broadcast Rate/Acre	Comments
USE BEFORE BLOOM	COBRA	12.5 fl. oz.	Reduce broadcast rate in proportion to the band area actually treated (See SPRAYER CALIBRATION.)
	+		
Post-Directed: COTTON 6" or more	MSMA 4 lbs./gal.	4 pts. (64 oz.)	
	OR		
OR	MSMA 6.6 lbs./gal.	2.4 pts. (38.4 oz.)	
Layby: COTTON 12" or more			

Table 6C.

**WEEDS CONTROLLED BY COBRA AND
COBRA + MSMA TANK MIX
COTTON 6" to 8" Tall – Directed Postemergence
OR COTTON 12" (or more) - Layby
COBRA RATE 12.5 fl. oz./Acre**

Common Name	Maximum Leaf Stages
Balloonvine	4
Beggarticks	6
Bristly Starbur	4
Buffalobur	4
Burcucumber	4
Carpetweed	8" diameter
Common Cocklebur	6
Common Purslane	8" diameter
Copperleaf	
Hophornbeam	4
Virginia	4
Croton	
Tropic	4
Woolly	4
Devilsclaw	4
Eclipta	6
Florida Beggarweed	2
Florida Pusley	6
Groundcherry	
Cutleaf	6
Lanceleaf	6
Hairy Galinsoga	4
Hemp Sesbania	6
Jimsonweed	4
Lanceleaf Sage	4
Mexicanweed	4
Morningglory	
Cypressvine	4
Entireleaf	2
Ivyleaf	2
Palmleaf	4
Pitted	4
Purple Moonflower	4
Smallflower	4
Tail	2
Nightshade	
Black	6
Eastern Black	6
Hairy	4
Pigweed	
Palmer Amaranth	6
Prostrate	6
Redroot	6
Smooth	6
Spiny Amaranth	6

continued

Table 6C. - continued

**WEEDS CONTROLLED BY COBRA AND
COBRA + MSMA TANK MIX
COTTON 6" to 8" Tall – Directed Postemergence
OR COTTON 12" (or more) - Layby
COBRA RATE 12.5 fl. oz./Acre**

Common Name	Maximum Leaf Stages
Poorjoe	6
Prickly Sida (Teaweed)	4
Puncturevine	1.5" diameter
Ragweed	
Common	6
Giant	4
Showy Crotalaria	4
Smell Melon	6
Spurge	
Prostrate	1" diameter
Spotted	4
Tall Waterhemp	4
Velvetleaf	4
Venice Mallow	4
Wild Mustard	6
Wild Poinsettia	4
Wild Sunflower	2
Witchweed	6 to 8" prior to bloom

Table 7 C

**COBRA + BLADEX TANK MIX/
COBRA + KARMEX TANK MIX
Weeds Controlled By COBRA Herbicide Tank Mixes
Layby – 12" or More COTTON
COBRA RATE 12.5 FL. OZ./ACRE**

Common Name	Maximum Growth Stages
Common Cocklebur	up to 8 inches
Eclipta	up to 8 inches
Pigweed	
Palmer Amaranth	up to 8 inches
Prostrate	up to 8 inches
Redroot	up to 8 inches
Smooth	up to 8 inches
Spiny Amaranth	up to 8 inches
Spurge	
Prostrate	4 in. diameter
Spotted	up to 6 inches
Tall Waterhemp	up to 6 inches

DIRECTIONS FOR USE IN PEANUTS

GENERAL INFORMATION

COBRA Herbicide effectively controls a wide spectrum of important broadleaf weeds in peanuts. Weeds can be controlled by applying COBRA Herbicide postemergence to actively growing weeds no larger than sizes indicated in the Table 1P below.

When COBRA Herbicide is applied postemergence, a portion of the spray solution may contact the soil surface. If soil moisture conditions are favorable for preemergence activity following the application, suppressed germination of small-seeded broadleaf weeds, such as nightshade species, pigweed species, and prickly sida may be expected for a 2 to 3 week period. Factors which reduce the amount of spray solution contacting the soil surface, such as excessive weed foliage, will reduce the level of soil activity.

RESTRICTIONS AND LIMITATIONS

- Do not apply more than 12.5 fl. oz./A (0.20 lb. ai/A) of COBRA per application.
- Do not exceed a combined rate of 25 fl. oz./A (0.40 lb. ai/A) of COBRA per season.
- Do not make a sequential application of COBRA within 14 days of the first application.
- Do not make more than two (2) COBRA applications per season.
- Do not apply COBRA to peanuts later than 90 days before harvest.
- Do not allow livestock to graze treated foliage.
- Do not use treated vines for feed or forage.

EARLY POSTEMERGENCE TREATMENT

A single early postemergence treatment of COBRA Herbicide at 12.5 fl. oz. per acre may be made to control emerged broadleaf weeds. Apply after the peanuts have at least 6 true leaves. See table below for weeds controlled and the maximum stage of weed growth for postemergence applications. A second postemergence application of COBRA Herbicide at 12.5 fl. oz. per acre may be made to control later emerging weeds or weeds escaping the first application as long as they are still within the labeled growth stage.

AERIAL APPLICATION

To obtain satisfactory weed control with aerial application of COBRA and COBRA tank mixes, except 2,4-DB, uniform coverage must be obtained. Do not spray when drift is possible or when wind velocity is more than 5 mph. Avoid spraying COBRA within 200 ft. of dwellings or adjacent sensitive crops such as ornamentals, cotton, tobacco or sorghum. To obtain satisfactory application and minimize drift, the following directions must be observed:

Volume and Pressure: Use COBRA in **5 to 10 gals. water per acre** and a maximum spray pressure of **40 PSI**. Applications at less than 5 gals. per acre will provide inadequate control. The higher gallonage applications generally afford more consistent weed control.

Nozzle and Nozzle Orientation: Use nozzles which produce flat or hollow cone spray patterns. Use non-drip type nozzles such as diaphragm-type nozzles to avoid unwanted discharge of spray solution. The nozzles must be directed toward the rear of the aircraft, at an angle between 0 and 15 downward, do not place nozzles on the outer 25% of wings or rotors.

Crop Oil Concentrate: with aerial applications the use of crop oil concentrate at the rate of 1% v/v in the spray solution is recommended.

IMPORTANT: In dry conditions, the use of less than 2% v/v of crop oil concentrate or use of an adjuvant other than crop oil concentrate will result in unsatisfactory weed control.

Southern States: In low-lying areas of Southern states which typically experience excessive soil moisture in the spring, the state recommendation for adjuvants may call for either a non-ionic surfactant or reduced rate of crop oil concentrate. Where this situation exists, use the adjuvant recommendations of the state extension service.

ADJUVANT RECOMMENDATIONS FOR POSTEMERGENCE APPLICATION

For control of weeds given in Table 1P, either an EPA approved non-ionic surfactant or an EPA approved petroleum or vegetable oil based crop oil concentrate must be used. Since adjuvant recommendations may vary depending on location, please check with your local Valent representative for recommendations. Under ideal growing conditions targeting weeds at the lower end of the height range, non-ionic surfactant at 0.25% v/v (1 quart per 100 gallons of water) may be used. Under ideal growing conditions targeting weeds at or near the top of the height range, crop oil concentrate at 1 to 2 pints per acre should be used. Under less than ideal growing conditions only crop oil concentrate is recommended. Applications of COBRA Herbicide with crop oil concentrate to peanuts with less than 6 true leaves may result in unacceptable crop injury.

5/73

WEEDS CONTROLLED BY COBRA HERBICIDE IN PEANUTS

Table 1P.

**WEED GROWTH STAGES
12.5 FL. OZ./A**

COMMON NAME	MAXIMUM LEAF STAGES	COMMON NAME	MAXIMUM LEAF STAGES
Balloonvine	4	Nightshades	
Beggarticks	6	Black	6
Bristly Starbur	4	Eastern Black	6
Buffalobur	4	Hairy	4
Burcucumber	4	Pigweeds	
Carpetweed	8 in. diameter	Palmer Amaranth	6
Common Cocklebur	6	Prostrate	6
Common Purslane	8 in. diameter	Redroot	6
Copperleaf		Smooth	6
Hophornbeam	6	Spiny Amaranth	6
Virginia	4	Poorjoe	6
Croton		Prickly Sida (Teaweed)	4
Tropic	4	Puncturevine	1.5 in. diameter
Woolly	4	Ragweeds	
Devilsclaw	4	Common	8
Eclipta	6	Giant	6
Florida Beggarweed	2	Showy Crotalaria	4
Florida Pusley	6	Smell Melon	6
Groundcherry		Spurge	
Cutleaf	6	Prostrate	1 in. diameter
Lanceleaf	6	Spotted	4
Hairy Galinsoga	4	Toothed	4
Hemp Sesbania	6	Venice Mallow	4
Jimsonweed	4	Waterhemp	
Kochia	8	Common	6
Lanceleaf Sage	4	Tall	6
Mexicanweed	4	Wild Mustard	6
Morningglories		Wild Poinsettia	4
Cypressvine	4	Wild Sunflower*	2
Entireleaf*	2	Witchweed	6 to 8 in. prior to bloom
Ivyleaf*	2		
Palmleaf*	4		
Pitted*	4		
Purple Moonflower*	4		
Smallflower*	4		
Tall*	4		

*Crop oil concentrate is required at the rate of 0.5% v/v for control.

CROP TOLERANCE

Peanuts with 6 or more emerged true leaves are very tolerant to postemergence COBRA Herbicide applications. Mature peanut leaves treated with COBRA Herbicide will show some brown speckling and bronzing. Growth of the next 2 true leaves may show some cupping or crinkling of the leaf margins. Subsequent growth will be normal and peanuts quickly outgrow this temporary condition.

If peanuts are treated at the 2 to 4 leaf stage, growth will be temporarily delayed. This period of growth reduction may be prolonged if the application is made during periods when the peanuts are under stress or under conditions that do not promote active growth. These conditions may include periods of drought, excess soil moisture, unusually cold temperatures or injury from preemergence herbicides. Peanuts quickly outgrow this temporary condition under good growing conditions.

RAINFALL OR OVERHEAD IRRIGATION

Under conditions of normal weed and peanut growth, COBRA Herbicide may be applied up to 30 minutes before rainfall or overhead irrigation without reduced weed control effectiveness. Do not apply COBRA Herbicide if rainfall is expected within 30 minutes. This rainfall period may be longer when COBRA Herbicide is tank mixed with other products and/or when weeds are under stress at the time of application.

EQUIPMENT RECOMMENDATIONS FOR APPLICATION

COBRA Herbicide can be applied using standard commercial ground spraying equipment. Use standard high-pressure pesticide flat fan or hollow-cone nozzles spaced up to 20 inches apart. Do not use flood, whirl chamber or controlled droplet applicator nozzles as erratic coverage can cause inconsistent weed control.

Use 10 to 20 gals. of spray solution per broadcast acre for optimum performance. Increase water volume up to 50 gals. if crop or weed foliage is dense. Apply using a minimum spray pressure of 40 to 60 psi as measured at the boom. Weeds must be thoroughly covered with spray for satisfactory control. Always use an adequate volume of spray solution to ensure thorough coverage. Dense leaf canopies shield smaller weeds and can prevent adequate coverage.

When row banding equipment is used, it should be adjusted to provide maximum coverage of weeds in the row. Thorough coverage of weeds in the row is best achieved when 2 nozzles are directed from either side of the crop row toward the weeds in the middle. The recommended minimum band width is 15 inches with a minimum spray volume of 15 gals. per acre on the band. Band application using a single nozzle over the row is not recommended.

TANK MIX PARTNERS FOR USE IN PEANUTS

The following herbicide products may be tank mixed with COBRA Herbicide for postemergence use in peanuts.

Table 2P.

Basagran	Cadre	Pursuit
Select 2 EC	2,4-DB*	

*Use only 2,4-DB formulations approved for postemergence use in peanuts. Do not add crop oil concentrate to this mixture, use only non-ionic surfactant at 0.125% v/v. Follow all 2,4-DB label restrictions relative to drift onto sensitive crops.

Physical incompatibility, reduced weed control or crop injury may result from mixing COBRA Herbicide with other pesticide products (fungicides, herbicides, insecticides, miticides), additives or fertilizers. Valent does not recommend using tank mixes other than those listed on this or other Valent labeling.

MIXING INSTRUCTIONS

Before mixing components, always perform a compatibility jar test. Add components in the sequence indicated below. Always start with a thoroughly clean sprayer tank three-quarters full of clean water with agitation running. Maintain agitation throughout mixing.

Begin by adding products in water soluble bags (allow to fully dissolve), followed by water dispersible granular or powder products (allow to fully dissolve), water soluble products, emulsifiable concentrates such as COBRA Herbicide (allow to fully mix), water soluble additives, then the remaining quantity of water.

6973

**DIRECTIONS FOR OUTDOOR USE IN
CONIFER SEEDLINGS AND CONIFER NURSERIES**

GENERAL USE INFORMATION

COBRA Herbicide is a selective herbicide for outdoor use on and around conifer seedlings when used according to this label. COBRA Herbicide works primarily through contact activity. COBRA Herbicide may be used on the tolerant conifer species listed below.

COBRA Herbicide may be applied for preemergence and/or postemergence broadleaf weed control in conifer seedbeds, container grown conifers, seedling transplants and conifer plantations (but not in forests).

IMPORTANT

Occasionally slight needle burn may be observed on the youngest growth following application. New growth will be normal and the seedlings will continue vigorous growth under favorable environmental conditions.

IMPORTANT

Plant tolerance to COBRA Herbicide at labeled rates has been found to be acceptable for the indicated genera and species listed below. Due to variability within species, crop growth stage, environmental conditions, and application techniques, it is recommended that the user determine if herbicide can be used safely on a few plants prior to widespread application. Neither the seller nor the manufacturer of COBRA Herbicide have investigated the safety factor to plants not listed on the label.

CONIFER SPECIES

COBRA Herbicide may be applied to conifer seedbeds of numerous species including the following:

Common Name	Scientific Name
Fir	
Douglas	<i>Pseudotsuga menziesii</i>
Fraser	<i>Abies fraseri</i>
Grand	<i>Abies grandis</i>
Noble	<i>Abies procera</i>
Hemlock	
Eastern	<i>Tsuga canadensis</i>
Western	<i>Tsuga heterophylla</i>
Pine	
Eastern White	<i>Pinus strobes</i>
Jack	<i>Pinus banksiana</i>
Loblolly	<i>Pinus taeda</i>
Lodgepole	<i>Pinus contorta</i>
Longleaf	<i>Pinus palustris</i>
Ponderosa	<i>Pinus ponderosa</i>
Sand	<i>Pinus clausa</i>
Scotch	<i>Pinus sylvestris</i>
Shortleaf	<i>Pinus echinata</i>
Slash	<i>Pinus elliotii</i>
Virginia	<i>Pinus Virginiana</i>
Spruce	
Blue	<i>Picea pungens</i>
Dwarf Alberta	<i>Picea glauca conica</i>
Norway	<i>Picea abies</i>
Sitka	<i>Picea sitchensis</i>

PREEMERGENT APPLICATION

Preemergent application of COBRA Herbicide should be made to tilled, weed free, planted seedbeds or to weed-free container grown seedlings after sowing but prior to seedling emergence. COBRA Herbicide may be incorporated with 0.25 to 0.5 inch water following application and before conifer seedling emergence. A preemergent (to weeds) application of COBRA Herbicide may be sprayed directly over conifers recently transplanted providing bud break has not yet occurred. Do not mechanically incorporate COBRA Herbicide. After preemergent application of COBRA Herbicide to seedbeds, soil should not be disturbed because herbicidal effectiveness will be decreased. COBRA Herbicide may be used as a preemergent application to conifers, when used as directed in **Table A**.

Table A.

PREEMERGENT APPLICATIONS		
COBRA Herbicide Rates	Adjuvant	Weeds Controlled
8 to 16 fl. oz./A (0.125 – 0.25 lb. ai/A)	None	Clover (<i>Trifolium</i> spp.) Common Chickweed Common Groundsel Common Purslane Common Ragweed Cottonwood (<i>Populus</i> spp.) Lambsquarter Mustard species Nightshade species Pearlwort Pigweed species Pineapple weed Sowthistle Spurge Prostrate Spotted Willow (<i>Salix</i> spp.)

POSTEMERGENT APPLICATION

Postemergent applications of COBRA Herbicide should be made when weeds are actively growing and no larger than 4 inches in height. COBRA Herbicide works primarily through contact activity. Conifer seedlings will tolerate postemergent treatments when applications are made following complete stand emergence and when the primary shoot growth is complete and has hardened off. Some forking and stunting of seedling may result if COBRA Herbicide is applied to newly emerged seedlings. Conifer transplants will tolerate postemergent treatments when applications are made before bud break or after foliage has had an opportunity to harden off. Occasionally slight needle burn will be observed on the youngest conifer growth following application. New growth will not be adversely affected and conifers will continue vigorous growth under favorable environmental conditions. COBRA Herbicide may be used in postemergent applications to conifers, when used as directed in **Table B**.

Table B.

POSTEMERGENT APPLICATIONS		
COBRA Herbicide Rates	Adjuvant	Weeds Controlled (up to 4 inches)
6.5 to 16 fl. oz./A* (0.10 – 0.25 lb. ai/A)	0.25% v/v non-ionic surfactant	Carpetweed Clover (<i>Trifolium</i> spp.) Common Chickweed Common Dayflower Common Groundsel Common Purslane Common Ragweed
	or	Cottonwood (<i>Populus</i> spp.) Dogfennel Eclipta Florida Beggarweed Florida Pusley Hairy Galinsoga Mayweed Morningglory species Mustard species Nightshade species Mustard species Nightshade species Pearlwort Pigweed species Pineapple weed Poorjoe Prickly Sida Showy Crotalaria Sowthistle Spurge Prostrate Spotted Tropic Croton Willow (<i>Salix</i> spp.) Witchweed Yellow Woodsorrel
	0.125 % v/v crop oil concentrate**	

* Four applications at weekly intervals of 6.5 fl. oz./A or two applications at two week intervals of 13 fl. oz./A are recommended for southern pine species only.

**Crop oil concentrate has been proven safe only in Southern pine conifer species (after primary shoot growth has begun).

64/73

APPLICATION INSTRUCTIONS

Thoroughly mix COBRA Herbicide with clean water and apply at 30 to 50 PSI in 20 to 40 gals. per acre. Flat fan or hollow cone nozzles are recommended. Applications made at less than 20 gals. per acre or less than 30 PSI will not provide complete coverage of the weeds and will result in incomplete weed control.

Care should be taken to ensure your nursery species are tolerant to COBRA Herbicide applications. In each nursery it is suggested that COBRA Herbicide be tested on each species in limited areas prior to an operational application.

Use Restrictions For COBRA Herbicide in Conifer Seedlings

1. Do not apply COBRA Herbicide when conifers are under stress from diseases, animal or winter injury, planting shock or other stresses.
2. The total amount of COBRA Herbicide used per season must not exceed 26 fl. oz./A.
3. **Do not apply COBRA Herbicide with spray adjuvants while conifer shoot growth is young and has not hardened off.**

6573

COBRA HERBICIDE FOR POST-DIRECTED APPLICATION IN KENAF

GENERAL INFORMATION

COBRA Herbicide is a broad spectrum contact herbicide for postemergence directed control of broadleaf weeds in kenaf. Apply COBRA Herbicide postemergence as a directed spray application following a preplant incorporated or preemergence herbicide(s) for early season control of grasses and broadleaf weeds. Use COBRA Herbicide as a postemergence directed application when the kenaf plant has reached a minimum height of 10 inches and a height difference of 3 to 5 inches has been established between the lower leaves of the kenaf plant and the top of the broadleaf weeds. Make one (1) application per season.

Misapplication resulting in COBRA Herbicide coming into contact with the kenaf plant may result in injury of kenaf plants.

The postemergence directed applications of COBRA Herbicide or COBRA Herbicide tank mixes should use equipment designed to minimize spray solution contacting the kenaf plant. This equipment would include spray nozzles positioned a minimum of 3 inches above the soil surface and angled backward so that the spray solution discharges to the rear and underneath the row canopy, nozzles as described above with leaf lifters or shields and/or plastic preformed hooded sprayers positioned to run between the kenaf rows, all of which are designed to help reduce spray contact with the kenaf plant.

Under conditions of normal weed growth, COBRA Herbicide may be applied up to 30 minutes before rainfall without reducing weed control.

This chemical (lactofen) has properties and characteristics associated with chemicals detected in groundwater. Acifluorfen, a degradate of this chemical, is known to leach through soil into groundwater under certain conditions as a result of labeled use. Use of this chemical in areas where soils are permeable, particularly where the water table is shallow, may result in groundwater contamination.

KENAF TOLERANCE

Apply COBRA Herbicide to kenaf **ONLY** as a **DIRECTED SPRAY** application with nozzles set to deliver the spray mixture toward the base of the kenaf plant, as specified in the "Timing" and "Application" sections of this label. Lower leaves which are contacted by the spray mixture will appear spotted or light brown to bronze in color. This response will have no effect on the growth or development of the kenaf crop, and all growth following application will be normal.

It is essential to establish a height differential of 3 to 5 inches between the crop and the target weeds prior to application to ensure full coverage of the weed leaf surfaces while minimizing direct contact of the spray mixture with the upper leaves and terminal area of the kenaf plant.

COBRA Herbicide is a contact herbicide. It does not move throughout the kenaf plant and it will not vaporize off the soil surface.

DO NOT apply COBRA Herbicide **OVER-THE-TOP** of kenaf.

TIMING

Post-Directed: KENAF 10" or More - For best results, COBRA Herbicide should be applied to small, actively growing weeds. Nozzles should be set to spray no higher than the bottom 2 to 3 inches of the kenaf stalk and still fully cover the target weeds. A properly timed directed spray application will provide control of labeled weeds not larger than indicated in Table 6C.

Apply COBRA Herbicide under conditions that promote active weed growth. DO NOT apply COBRA Herbicide when weeds are under stress. Weeds under stress tend to "harden off" and become less susceptible to herbicide activity. **DO NOT** apply COBRA Herbicide under conditions of drought or when rainfall has been less than 1 inch in a consecutive 2-week period, when excessive water has saturated the field for 3 or more consecutive days or when high temperatures are in combination with low soil moisture or in combination with low humidity. Applying COBRA Herbicide under these conditions may result in unsatisfactory weed control.

Conditions such as those described above which precede or immediately follow a COBRA Herbicide application may adversely affect the performance of the herbicide.

DIRECTED BAND APPLICATION

Directed row banding is required for use of COBRA Herbicide in kenaf. Two nozzles per row, one on each side, are required for postemergence directed application. Tractor ground speed should not exceed 5 mph. The spray equipment used should accurately direct the spray pattern to the base of the kenaf plant to minimize contact with the kenaf plant and provide good coverage of the target weeds. Spray nozzles should be positioned a minimum of 3 inches above the soil surface and angled backward so that the spray solution discharges to the rear and under the row canopy. The use of leaf lifters or shields on application equipment is recommended to help reduce spray contact with the kenaf plant. Row banding equipment should be adjusted to provide maximum coverage of weeds in the banding area.

SPRAYER CALIBRATION

FIELD CALIBRATE YOUR SPRAYER: Improper calibration will adversely affect the spray pattern and reduce weed control. Delivery rates shown in equipment catalogs may not accurately reflect your actual delivery rate. When calibrating, spray pressure should be measured at the spray nozzle to assure accurate delivery rates. Refer to manufacturer's chart for recommended spray volume, spray pressure, and ground speed for the nozzles and the directed spray system you are using. **HERBICIDE RATES, ADJUVANT RATES AND SPRAY VOLUME RECOMMENDATIONS** are presented as **BROADCAST EQUIVALENTS**, and must be reduced in proportion to the area actually treated. Use the following formulas to calculate the correct rate and volume per planted (field) acre:

$\frac{\text{Band Width (inches)}}{\text{Row Width (inches)}}$	X	Broadcast Rate/Acre	=	Amount of Herbicide Needed per Field Acre
$\frac{\text{Band Width (inches)}}{\text{Row Width (inches)}}$	X	Broadcast Volume/Acre	=	Amount of Water Needed per Field Acre

CULTIVATION

When postemergence directing COBRA Herbicide at the same time as cultivation, the spray nozzle must be positioned in front of the cultivation equipment. Applying COBRA Herbicide at the time of cultivation under dry soil conditions will cause excessive dust which will prevent proper contact between COBRA Herbicide and the weed surface. This reduced contact will decrease weed control activity. In addition, applying COBRA Herbicide while cultivating at ground speeds greater than 5 mph will prevent good coverage of the weed surface by the spray solution and reduce weed control activity.

APPLICATION RATES

Apply COBRA herbicide at a rate of 12.5 fl. oz. per acre on a broadcast basis. The sprayer must be equipped with flat fan or off-center fan nozzles designed to deliver 10 to 30 gals. of water per acre when operated at a spray pressure of 20 to 30 PSI measured at the nozzle. Pressures greater than 30 PSI may cause the spray mist to move upward into the kenaf canopy resulting in severe crop injury.

07/73

Table 1 K.

APPLICATION RATES
Post-Directed: KENAF 10" or More
COBRA HERBICIDE

Application Timing	Broadcast Rate/Acre	Adjuvant*	Weeds	Comments
Post-directed: KENAF 10" or more	12.5 fl. oz.	1% v/v Crop Oil Concentrate	Refer to Table 2S.	Reduce broadcast rate in proportion to band area actually treated (See SPRAYER CALIBRATION).

*The use of spray adjuvants will provide enhanced control of broadleaf weeds.

08/73

APPENDIX

The following are scientific names for the weeds listed on this label:

Common Name	Scientific Name
Balloonvine	<i>Cardiospermum halicacabum</i>
Beggarticks	<i>Bidens frondosa</i>
Bristly Starbur	<i>Acanthospermum hispidum</i>
Buffalobur	<i>Solanum rostratum</i>
Burcucumber	<i>Sicyos angulatur</i>
Canada Thistle	<i>Cirsium arvense</i>
Carpetweed	<i>Mollugo verticillata</i>
Clover	<i>Trifolium spp.</i>
Coffee Senna	<i>Cassia occidentalis</i>
Common Chickweed	<i>Stellaria media</i>
Common Cocklebur	<i>Xanthium strumarium</i>
Common Groundsel	<i>Senecio vulgaris</i>
Common Lambsquarters	<i>Chenopodium album</i>
Common Purslane	<i>Portulaca oleracea</i>
Copperleaf	
Hophornbeam	<i>Acalypha ostryifolia</i>
Virginia	<i>Acalypha virginica</i>
Cottonwood	<i>Populus spp.</i>
Croton	
Tropic	<i>Croton glandulosus</i>
Woolly	<i>Croton capitatus</i>
Dayflower	<i>Commelina spp.</i>
Devil'sclaw	<i>Proboscidea louisianica</i>
Dogfennel	<i>Eupatorium capillifolium</i>
Eclipta	<i>Eclipta prostrata</i>
Florida Beggarweed	<i>Desmodium tortuosum</i>
Florida Pusley	<i>Richardia scabra</i>
Galinsoga	<i>Galinsoga spp.</i>
Goosegrass	<i>Eleusine indica</i>
Groundcherry	
Cutleaf	<i>Physalis angulata</i>
Lanceleaf	<i>Physalis lanceifolia</i>
Hairy Galinsoga	<i>Galinsoga ciliata</i>
Hemp Sesbania	<i>Sesbania exaltata</i>
Jimsonweed	<i>Datura stramonium</i>
Kochia	<i>Kochia scroparia</i>
Lanceleaf Sage	<i>Salvia reflexa</i>
Mayweed	<i>Anthemis cotula</i>
Mexicanweed	<i>Caperonia castaniifolia</i>
Milkweed	
Climbing	<i>Sarcostemma cynanchoides</i>
Common	<i>Asclepias syriaca</i>

continued

APPENDIX – continued

The following are scientific names for the weeds listed on this label:

Common Name	Scientific Name
Morningglories	
Bigroot (Wild Sweet Potato)	<i>Ipomoea pandurata</i>
Cypressvine	<i>Ipomoea quamoclit</i>
Entireleaf	<i>Ipomoea hederacea</i> var. <i>integriuscula</i>
Ivyleaf	<i>Ipomoea hederacea</i>
Palmleaf	<i>Ipomoea wrightii</i>
Pitted	<i>Ipomoea lacunose</i>
Purple Moonflower	<i>Ipomoea turbinata</i>
Smallflower	<i>Jacquemontia tamnifolia</i>
Tall	<i>Ipomoea purpurea</i>
Mustard Species	<i>Descurainia sinopis</i>
Nightshade	
Black	<i>Solanum nigrum</i>
Eastern Black	<i>Solanum ptycanthum</i>
Hairy	<i>Solanum sarrachoides</i>
Pearlwort	<i>Sagina</i> spp.
Pigweed	
Palmer Amaranth	<i>Amaranthus palmeri</i>
Prostrate	<i>Amaranthus blitoides</i>
Redroot	<i>Amaranthus retroflexus</i>
Smooth	<i>Amaranthus hybridus</i>
Spiny Amaranth	<i>Amaranthus spinosus</i>
Pineapple Weed	<i>Matricaria matricarioides</i>
Poorjoe	<i>Diodia teres</i>
Prickly Sida (Teaweed)	<i>Sida spinosa</i>
Puncturevine	<i>Tribulus terrestris</i>
Ragweed	
Common	<i>Ambrosia artemisiifolia</i>
Giant	<i>Ambrosia trifida</i>
Redvine	<i>Brunnichia ovata</i>
Showy Croton	<i>Crotalaria spectabilis</i>
Sicklepod	<i>Cassia obtusifolia</i>
Smartweed	
Pennsylvania	<i>Polygonum pennsylvanicum</i>
Swamp	<i>Polygonum coccineum</i>
Smell Melon	<i>Cucumis melo</i>
Spurge	
Prostrate	<i>Euphorbia humistrata</i>
Spotted	<i>Euphorbia maculata</i>
Toothed	<i>Euphorbia serrata</i>
Spurred Anoda	<i>Anoda cristata</i>
Sowthistle	<i>Sonchus</i> spp.
Sunflower	
Common	<i>Helianthus annuus</i>
Wild	<i>Helianthus</i> spp.

continued

APPENDIX - continued

The following are scientific names for the weeds listed on this label:

Common Name	Scientific Name
Trumpet creeper	<i>Campsis radicans</i>
Velvetleaf	<i>Abutilon theophrasti</i>
Venice Mallow	<i>Hibiscus trionum</i>
Waterhemp	
Common	<i>Amaranthus rudis</i>
Tall	<i>Amaranthus tuberculatus</i>
Wild Mustard	<i>Sinapis arvensis</i>
Wild Oats	<i>Avena fatua</i>
Wild Poinsettia	<i>Euphorbia heterophylla</i>
Willow	<i>Salix</i> spp.
Wirestem Muhly	<i>Muhlenbergia frondosa</i>
Witchweed	<i>Striga asiatica</i>
Yellow Nutsedge	<i>Cyperus esculentus</i>
Yellow Woodsorrel	<i>Oxalis stricta</i>

STORAGE AND DISPOSAL

PROHIBITIONS

Do not contaminate water, food, or feed by storage, disposal or cleaning of equipment.

PESTICIDE STORAGE

Store in cool, dry place.

Keep pesticide in original container.

Do not put concentrate or dilute into food or drink containers.

Not for use or storage in or around the home.

For help with any spill, leak, fire or exposure involving this material call day or night 1-800-892-0099.

PESTICIDE DISPOSAL

This product is acutely hazardous. Improper disposal of excess pesticide, spray mixture, or rinsate is a violation of Federal law. If these wastes cannot be disposed of by use according to label instructions, contact your State Pesticide or Environmental Control Agency, or the Hazardous Waste representative at the nearest EPA Regional Office for guidance.

CONTAINER DISPOSAL

Triple rinse (or equivalent). Do not reuse container. Offer for recycling or reconditioning, or puncture and dispose of in a sanitary landfill, or incineration, or, if allowed by state and local authorities, by burning. If burned, stay out of smoke.

Copyright © 2005 by Valent U.S.A. Corporation

ASSURE®/ASSURE II – Reg. TM of E. I. DuPont de Nemours & Co., Inc.
 BASAGRAN® - Reg. TM of BASF AG.
 BLADDEX® - Reg. TM of E.I. DuPont de Nemours & Co., Inc.
 CADRE® - Reg. TM of BASF
 CLASSIC® - Reg. TM of E.I. DuPont de Nemours & Co., Inc.
 COBRA® - Reg. TM of Valent U.S.A. Corporation
 DUAL® - Reg. TM of Ciba-Giegy Corp. for metolachlor herbicide
 FIRSTRATE® - Reg. TM of Dow AgroSciences
 FLEXSTAR® - Reg. TM of Zeneca
 FUSILADE® DX Herbicide - Reg. TM of ICI Americas, Inc. Agricultural Products for fluazifop-P-butyl herbicide
 KARMEX® - Reg. TM of E.I. DuPont de Nemours & Co., Inc. for diuron herbicide
 LASSO® - Reg. TM of Monsanto Agri. Co. for alachlor herbicide
 OPTION® - Reg. TM of Hoechst AG for fenoxaprop-ethyl herbicide
 PASSPORT® - Reg. TM of American Cyanamid Co. for imazethapyr plus trifluralin herbicide
 PINNACLE® - Reg. TM of E. I. DuPont de Nemours & Co., Inc. for thifensulfuron methyl herbicide
 PURSUIT® - Reg. TM of American Cyanamid Co. for imazethapyr herbicide
 PURSUIT PLUS® - Reg. TM of American Cyanamid Co. for imazethapyr plus pendimethalin herbicide
 REFLEX® - Reg. TM of Zeneca
 RELIANCE™ STS® - TM of E.I. DuPont de Nemours & Co., Inc.
 ROUNDUP® - Reg. TM of Monsanto Company
 SCEPTER® - Reg. TM of American Cyanamid Co. for imazaquin herbicide
 SELECT® - Reg. TM of Valent U.S.A. Corporation for clethodim herbicide
 SUN-IT™ - TM of AGSCO, Inc.
 SYNCHRONY® STS® - Reg. TM of E.I. DuPont de Nemours & Co., Inc.
 ULTRA BLAZER® - Reg. TM of BASF

Manufactured for
Valent U.S.A. Corporation
 Walnut Creek, CA 94596-8025

Made in U.S.A.

EPA Reg. No. 59639-34
 EPA Est. No. 5905-GA-1

059639-000034.20050811.COB.doc.

THE VALENT RETURNABLE KEG

Description: This keg is a closed-system, refillable container designed for easy handling and convenient dispensing of product with no container disposal.

Construction: The keg is made of all stainless steel. Both the gaskets and seals are Viton and are compatible with the Valent product.

Pump System: With the versatility of the keg, either a mechanical pump or an air pressure system may be used to dispense the product.

Coupler: A specific dry-disconnect coupler is required for dispensing product from the keg. This coupler is available through local agricultural equipment suppliers.

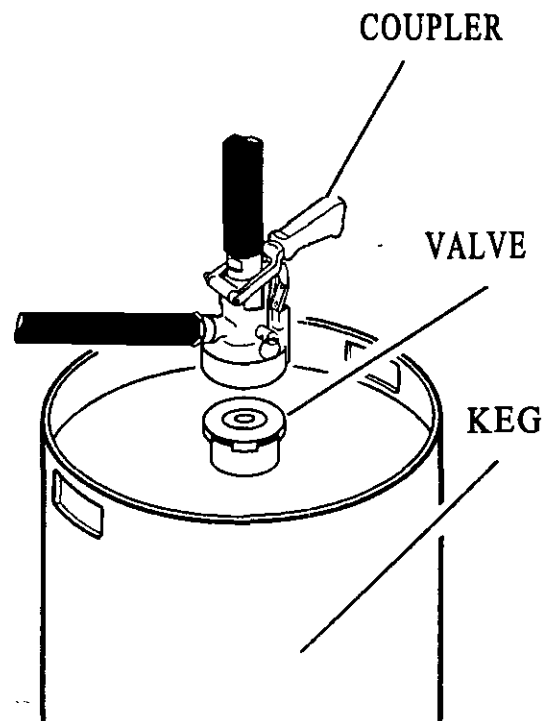
Container Capacity: 15 gallons or 56.7 liters (by weight)

ATTENTION!

This is a closed-system container. Do not try to remove the valve from the keg. The coupler required for removal of product is available from local agricultural equipment suppliers. The keg contains tamper evident seals that, if broken, will incur a fee for the user of the keg. Both the coupler and the valve are designed for one-way operation only. Never try to pump any type of material back into the keg.

DIRECTIONS FOR USE

The proper coupler must be attached and engaged before removing any product from the keg. Either a mechanical pump or an air pressure system may be used and connected to the 1-inch NPT thread on the top of the coupler.



IMPORTANT! Attach a hose or pump to the coupler before engaging coupler. This will prevent the user from being splashed in the event that pressure build-up in the keg forces liquid up through the coupler.

To attach and engage the coupler:

1. Pull top of black dust cover back to expose head of valve. The bottom ring of the black dust cover will still be attached to the neck of the valve. Save the dust cover for reuse when returning keg.
2. Before engaging the coupler, securely attach a hose or pump to the threaded connection.
3. Twist coupler onto valve on keg.
and engage coupler by pulling handle straight out to unlock and then pushing handle down into lower position to open internal valve. Handle will automatically lock in place.
4. Secure and engage coupler by pulling handle straight out to unlock and then pushing handle down into lower position to open internal valve. Handle will automatically lock in place.
5. You are now ready to begin the pumping operation.

To remove coupler from container:

1. Release coupler by pulling handle straight out to unlock and then lifting handle into upper position. Handle will automatically lock in place.
2. Lift coupler from keg. As coupler clears top of valve, pull coupler sideways and lift it off the valve.
3. Wipe valve off and replace dust cover.
4. Flush coupler with water.
5. Wipe coupler and store in a clean place.
6. Properly dispose of cleaning towels and rinsate.

RETURNING KEGS

Clean the outside of the keg with water or soap before returning the keg to the distributor. Leave all Valent product labels and stickers securely attached. All Valent product labels, stickers and other information must remain on the keg in order to comply with both State and Federal regulations.

All Valent kegs are tracked using the individual keg serial number stamped in the top of the keg. Distributors are responsible for these kegs that have been assigned to them. Return this keg to the distributor from which it was purchased. Notify the distributor if the keg cannot be returned by the specific time.

Valent U.S.A. Corporation
1600 Riviera Avenue, Suite 200
Walnut Creek, CA 94596-8025

Supplemental Label



73/73

Valent U.S.A. Corporation
P. O. Box 8025
Walnut Creek, CA 94596-8025

PREEMERGENCE APPLICATION OF COBRA® HERBICIDE IN SNAP BEANS IN OREGON AND TENNESSEE

EPA Reg. No.: 59639-34

DIRECTIONS FOR USE

It is a violation of Federal Law to use this product in a manner inconsistent with its labeling.

Do not apply this product through any type of irrigation system.

GENERAL INFORMATION

COBRA Herbicide may be utilized as a preemergence soil applied herbicide for control of the annual broadleaf weeds listed below in snap beans. Make a single preemergence application of COBRA Herbicide at the rates shown below depending on soil texture. Use the higher COBRA Herbicide rate on clay loam and finer soil texture and the lower rate on silt loams and coarser textured soils. Apply COBRA Herbicide after planting, but no later than 48 hours following planting. Make one (1) application per season.

COBRA HERBICIDE PREEMERGENCE CONTROL FOR SNAP BEANS

PREEMERGENCE APPLICATION RATES FOR COBRA HERBICIDE IN SNAP BEANS

State	Product Rate	Weeds Controlled
Oregon	12 to 14 fl. oz./A (0.19 – 0.22 lb. ai/A)	Hairy Nightshade (<i>Solanum sarrachoides</i>)
		Black Nightshade (<i>Solanum nigrum</i>)
		Redroot Pigweed (<i>Amaranthus retroflexus</i>)
Tennessee	10 to 16 fl. oz./A (0.16 – 0.25 lb. ai/A)	Hairy Nightshade (<i>Solanum sarrachoides</i>)
		Black Nightshade (<i>Solanum nigrum</i>)
		Redroot Pigweed (<i>Amaranthus retroflexus</i>)

Use Restrictions for COBRA Herbicide Applied Preemergence to Snap Beans:

- 1.. Always read and follow all label directions when using any pesticide alone or sequentially. **The most restrictive labeling applies when using a tank mix.**
- 2.. Applications of COBRA Herbicide at ground cracking or later will result in injury (necrosis) to snap beans and may result in a yield reduction and should, therefore, be avoided. **Apply no later than 48 hours after planting.**
- 3.. Do not apply COBRA Herbicide preemergence to snap beans planted in soils with high sand content, specifically sandy loams, loamy sands and gravely sandy loams.
- 4.. Incorporate COBRA Herbicide with 1/4 to 1/2 inch of water following application before soil cracking occurs.
- 5.. COBRA Herbicide should not be soil incorporated with mechanical incorporation equipment.
- 6.. Do not harvest snap beans sooner than 55 days after application of COBRA Herbicide.
- 7.. For preemergence control of grasses, tank mix COBRA Herbicide with appropriate grass herbicide.

Groundwater Advisory

This chemical (lactofen) has properties and characteristic associated with chemicals detected in groundwater. Acifluorfen, a degradate of this chemical, is known to leach through soil into groundwater under certain conditions as a result of labeled use. Use of this chemical in areas where soils are permeable, particularly where the water table is shallow, may result in groundwater contamination.

THIS LABELING MUST BE IN THE POSSESSION OF THE USER AT THE TIME OF APPLICATION. READ THE LABEL AFFIXED TO THE CONTAINER FOR COBRA HERBICIDE BEFORE APPLYING. USE OF COBRA HERBICIDE ACCORDING TO THIS SUPPLEMENTAL LABELING IS SUBJECT TO THE USE PRECAUTIONS AND LIMITATION IMPOSED BY THE LABEL AFFIXED TO THE CONTAINER OF COBRA HERBICIDE. PLEASE REFER TO CONTAINER LABEL FOR ADDITIONAL PRECAUTIONARY STATEMENTS.