



UNITED STATES ENVIRONMENTAL PROTECTION AGENCY
WASHINGTON, DC 20460

OFFICE OF CHEMICAL SAFETY
AND POLLUTION PREVENTION

September 28, 2016

Abigail T.D. Wacek
Technology Sciences Group Inc.
1150 18th Street, NWW, Suite 1000
Washington, D.C. 20036

Subject: Label Amendment – amending directions for use; adding marketing statements;
new alternate brand names.
Product Name: Pool Frog Mineral Reservior
EPA Registration Number: 53735-11
Application Date: June 7, 2016
Decision Number: 518874

Dear Ms. Wacek:

The amended label referred to above, submitted in connection with registration under the Federal Insecticide, Fungicide and Rodenticide Act, as amended, is acceptable. This approval does not affect any conditions that were previously imposed on this registration. You continue to be subject to existing conditions on your registration and any deadlines connected with them.

A stamped copy of your labeling is enclosed for your records. This labeling supersedes all previously accepted labeling. You must submit one copy of the final printed labeling before you release the product for shipment with the new labeling. In accordance with 40 CFR 152.130(c), you may distribute or sell this product under the previously approved labeling for 18 months from the date of this letter. After 18 months, you may only distribute or sell this product if it bears this new revised labeling or subsequently approved labeling. “To distribute or sell” is defined under FIFRA section 2(gg) and its implementing regulation at 40 CFR 152.3.

Should you wish to add/retain a reference to the company’s website on your label, then please be aware that the website becomes labeling under the Federal Insecticide Fungicide and Rodenticide Act and is subject to review by the Agency. If the website is false or misleading, the product would be misbranded and unlawful to sell or distribute under FIFRA section 12(a)(1)(E). 40 CFR 156.10(a)(5) list examples of statements EPA may consider false or misleading. In addition, regardless of whether a website is referenced on your product’s label, claims made on the website may not substantially differ from those claims approved through the registration process. Therefore, should the Agency find or if it is brought to our attention that a website contains false or misleading statements or claims substantially differing from the EPA approved registration, the website will be referred to the EPA’s Office of Enforcement and Compliance.

The following alternate brand names have been added to the product record:

- @ease Mineral Cartridge
- @ease Floating Sanitizing System
- @ease In-Line Sanitizing System

Your release for shipment of the product constitutes acceptance of these conditions. If these conditions are not complied with, the registration will be subject to cancellation in accordance with FIFRA section 6.

If you have any questions, please contact Zebora Johnson by phone at (703) 308-7080 or via email at johnson.zebora@epa.gov.

Julie Chao, Product Manager Team (33)

A handwritten signature in blue ink, appearing to read "Julie Chao", is written over the typed name.

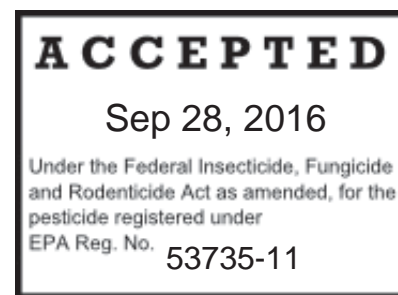
Regulatory Management Branch 1
Antimicrobials Division (7510P)
Office of Pesticide Programs

Enclosure: Accepted Label:

[All text in braces {xxx} is optional and may or may not be included on a final label.]
[All text in brackets [xxx] is administrative and will not appear on a final label.]

[Master Label] Pool Frog Mineral Reservoir

[Alternate Brand Name: Aqua Smarte Mineral Reservoir]
[Alternate Brand Name: Instant Frog]
[Alternate Brand Name: Spa Frog]
[Alternate Brand Name: Spa Frog Mineral Spa Care]
[Alternate Brand Name: Spa Frog Mineral Cartridge]
[Alternate Brand Name: Spa Frog Floating System]
[Alternate Brand Name: Pool Frog Mineral Cartridge]
[Alternate Brand Name: Filter Frog]
[Alternate Brand Name: Pool Frog Value Pack]
[Alternate Brand Name: Aqua Smarte Value Pack]
[Alternate Brand Name: Frog Mineral Pac]
[Alternate Brand Name: Frog Min Pac]
[Alternate Brand Name: Frog Leap Mineral A-SALT!]
[Alternate Brand Name: Frog Leap Mineral ASSAULT!]
[Alternate Brand Name: Frog Leap Anti-Bac Mineral Pac]
[Alternate Brand Name: Frog Leap Mineral Element]
[Alternate Brand Name: Aqua Smarte Mineral A-SALT!]
[Alternate Brand Name: Aqua Smarte Mineral ASSAULT!]
[Alternate Brand Name: Aqua Smarte Mineral Element]
[Alternate Brand Name: Aqua Smarte Plus Mineral Activator]
[Alternate Brand Name: Frog Pool Boy]
[Alternate Brand Name: Frog Sentry]
[Alternate Brand Name: Frog Jr. Pool Boy]
[Alternate Brand Name: Frog Jr. Sentry]
[Alternate Brand Name: Frog Splasher Pool Boy]
[Alternate Brand Name: Frog Splasher Sentry]
[Alternate Brand Name: Frog Pop Up Pool Sanitizer]
[Alternate Brand Name: Frog Pop Up Pool Sanitizer Plus]
[Alternate Brand Name: Pop Up Pool Sanitizer]
[Alternate Brand Name: Pop Up Pool Sanitizer Plus]
[Alternate Brand Name: Frog Pop-Up Pool Sanitizer]
[Alternate Brand Name: Frog Pop-Up Pool Sanitizer Plus]
[Alternate Brand Name: Pop-Up Pool Sanitizer]
[Alternate Brand Name: Pop-Up Pool Sanitizer Plus]
[Alternate Brand Name: Flippin' Frog]
[Alternate Brand Name: Flippin' Frog Mineral Cartridge]
[Alternate Brand Name: Flippin' Frog XL]
[Alternate Brand Name: Flippin' Frog 2XL]
[Alternate Brand Name: @ease Mineral Cartridge]
[Alternate Brand Name: @ease Floating Sanitizing System]
[Alternate Brand Name: @ease In-Line Sanitizing System]



[Front Panel]

POOL FROG MINERAL RESERVOIR

{PATENTED} MINERAL {POOL} {SPA} {HOT TUB} {SANITIZER} {DISINFECTANT}

{The Complete Low Chlorine Alternative+}
{The Complete Low Bromine {or Chlorine} Alternative+}

{The Frog Mineral {System} {Technology} {Formula}+ reduces {chlorine} {bromine} use up to 50%*}
{Up To 50%* Chlorine Reduction with Pool Frog Mineral System}
{Up to 50% reduction in {bromine} or {chlorine} use*}

{Eliminates daily dosing for less work}

{The Frog Mineral {System} {Technology} {Formula}+ Improves Water Quality By:}

- {Destroying bacteria for improved clarity}
- {Helping to maintain a neutral pH}
- {Reducing {chlorine} {bromine} use for softer water}

{Frog now comes with water polishers for easier pool startup.} {Now with Start-Up Water Polishers}

KEEP OUT OF REACH OF CHILDREN

CAUTION

{See {Side Panel or} Enclosed {Product Label and} Instruction Manual for Complete Directions for Use}

Active Ingredient:

Silver Chloride ----- 0.5%

Other Ingredients: ----- 99.5%

Total: ----- 100.0%

Net Wt.: _____ {lbs} {oz} {grams}

EPA Reg. No.: 53735-11

EPA Est. No.: xxxxx-xx

Manufactured by: King Technology, Inc., 530 11th Ave. South, Hopkins, MN 55343
{www.kingtechnology.com 800-222-0169}

[Disclosure Statements 1 for Pool Cartridge, Skimmer Application, Pool Cartridge used in Floating System, Floating Pool Cartridge and Cartridge for Bulk Chlorinator]

+ FROG Mineral {System} {Technology} {Formula} consists of the {FROG} minerals silver chloride and carbonate used in conjunction with 0.5 ppm chlorine. The Pool Frog Mineral Reservoir {cartridge} {pac} must be used in conjunction with {the POOL FROG Bac Pac (EPA Reg. No. 53735-2)}, {an EPA registered chlorine pool product or a chlorine delivery device}.

*Compared to the minimum EPA recommended chlorine level of 1.0 ppm for a stabilized swimming pool.

[Disclosure Statements 2 for Spa Cartridge and Filter Spa Product]

+ FROG Mineral {System} {Technology} {Formula} consists of the FROG minerals silver chloride and carbonate used with 1.0 ppm bromine {or chlorine}. The Pool Frog Mineral Reservoir {cartridge} {pac} must be used in conjunction with {the SPA FROG Bromine Cartridge (EPA Reg. No. 53735-10),} an EPA registered bromine {or chlorine} {spa} {hot tub} product or a bromine {or chlorine} delivery device.

*Compared to the minimum ANSI recommended {bromine} or {chlorine} level of 2.0 ppm for a {spa} {hot tub}.

[Disclosure Statements 3 for Spa Floating/Flipping System for use with the SPA CHLORINE DISINFECTANT EPA Reg. No. 53735-14]

+ FROG {Mineral} {System} {Technology} {Formula} consists of the FROG minerals silver chloride and carbonate used with 0.5 ppm of Spa Chlorine Disinfectant. The Pool Frog Mineral Reservoir must be used in conjunction with the Spa Chlorine Disinfectant (EPA Reg. No. 53735-14).

*Compared to the minimum ANSI recommended {bromine} or {chlorine} level of 2.0 ppm for a {spa} {hot tub}.

[Product Description 1 and Directions for Use for Pool Cartridge]

Product Description: The Pool Frog Mineral Reservoir is the heart of an advanced pool care system that destroys bacteria. The {patented} mineral formula in the Pool Frog Mineral Reservoir is a disinfectant that also neutralizes acids, which helps keep the pH in an acceptable range with less monitoring. The controlled release of minerals provides an optimum level of protection in your pool. The Frog Mineral {System} {Technology} {Formula}+ reduces chlorine use up to 50%*. Simply use with at least 0.5 ppm of an EPA registered source of chlorine such as the Pool Frog Bac Pac (EPA Reg. No. 53735-2) or a chlorine delivery device. Using the Pool Frog Mineral {System} {Technology} {Formula}+ improves {swimming pool pleasure} {your swimming experience} by reducing the problems associated with chlorine including faded bathing suits, premature damage to pool equipment or surfaces and smelly odors. With the Pool Frog Mineral Reservoir, pool care is easy and effective. Once wetted, the time-released mineral coating of this product is effective up to 6 consecutive months or one pool season whichever is shorter. After that time, even if upon shaking you hear the spent media inside, it is no longer effective and must be replaced. Mark the calendar with stickers provided to replace this product.

Replace the Pool Frog Mineral Reservoir after 6 months.

It is a violation of Federal Law to use this product in a manner inconsistent with its labeling.

Directions For Use with chlorine Bac Pac EPA Reg. No. 53735-2: For use in {in-ground} {above ground} pools up to {15,000} {20,000} {25,000} {30,000} {35,000} {40,000} gallons. For a complete system, use this product inside the {Cycler} {chlorinator} {feeder} along with the chlorine Bac Pac. This product is compatible with pool chemicals except biguanides and bromine. Before inserting the Pool Frog Mineral Reservoir as the pool maintenance product, balance the pH to between 7.2 and 7.8 and total alkalinity between 80-120 ppm and shock the pool with a {chlorine shock per the manufacturer's directions.} {shock pac per its label directions.} Then follow the directions below:

1. Turn circulation pump off, {turn control dial to {Pac Removal}, Setting {0} or {Off} depending on your model and remove cap} {from Cycler} {chlorinator} {feeder}.
2. {Line up slot on the side of the Pool Frog Mineral Reservoir with the fin inside the Cycler and} lower {Pool Frog Mineral Reservoir} into the {Cycler} {chlorinator} {feeder}.
3. If using the chlorine Pac, insert {into the center of this product} according to the directions on its label then replace the cap on the {Cycler} {chlorinator} {feeder} and turn pump back on. {Set the control dial on the {Cycler} {chlorinator} {feeder} per the size and pump run time of your pool according to the chart in the manual.}

Directions for Use with Alternate Source of Chlorine: If using an alternative EPA registered source of chlorine, follow steps 1 and 2 above then replace the {Cycler} {chlorinator} {feeder} cap, {set the control dial to {Maximum}, Setting {10} {5} or {On} depending on your model} and turn pump back on. Maintain recommended chlorine levels of at least 0.5 ppm in the pool.

DO NOT USE ANY OTHER PAC OR BULK CHEMICAL INSIDE THE MINERAL RESERVOIR. DAMAGE TO THE RESERVOIR, POOL OR OTHER EQUIPMENT COULD RESULT.

[Product Description 2 and Directions for Use for Skimmer Application]

Product Description: Pool Frog Mineral Reservoir destroys bacteria. The {patented} mineral formula in the Pool Frog Mineral Reservoir is a disinfectant that also neutralizes acids, which help keep the pH in an acceptable range with less monitoring. The controlled release of minerals provides optimum protection in the pool. The Frog Mineral {System} {Technology} {Formula}+ reduces chlorine use up to 50%*. Use Pool Frog Mineral Reservoir with at least 0.5 ppm of an EPA registered source of chlorine or a chlorine delivery device. Using the Frog Mineral {System} {Technology} {Formula}+ with reduced chlorine levels improves {swimming pool pleasure} {your swimming experience} by reducing the problems associated with chlorine including faded bathing suits, premature damage to pool equipment or surfaces and smelly odors. With Pool Frog Mineral Reservoir, pool care is easy and effective. Once wetted, the time-released mineral coating of this product is effective up to 6 consecutive months or one pool season whichever is shorter. After that time, even if upon shaking you hear the spent media inside, it is no longer effective and must be replaced.

Replace the Pool Frog Mineral Reservoir after 6 months.

It is a violation of Federal Law to use this product in a manner inconsistent with its labeling.

Directions for Use: For in-ground pools up to 25,000 gallons. This product is compatible with pool chemicals except biguanides and bromine. Before using Pool Frog Mineral Reservoir as the pool maintenance product, balance the pH to between 7.2 and 7.8 and total alkalinity between 80-120 ppm and shock the pool with a chlorine shock per the manufacturer's directions. Then follow the directions below:

1. Set reminder dial on Pool Frog Mineral Reservoir to 6 months from date of installation. Turn dial by hand or with a coin if needed.
2. Remove {skimmer cover} {pump lid}.
3. {Remove skimmer basket handle if necessary and} {insert} {drop} Pool Frog Mineral Reservoir into the {skimmer} {pump} basket.
4. {If using Pool Frog Mineral Reservoir with a suction side automatic cleaner installed through the skimmer, it will be necessary to use a vac plate that may come with the skimmer or automatic cleaner.}
5. Once installed, maintain recommended chlorine levels of at least 0.5 ppm in the pool by using an EPA registered source of chlorine approved specifically for swimming pools or a chlorine delivery device.

[*Product Description 3* and Directions for Use for Pool Cartridge used in Floating System]

Product Description: The Pool Frog Mineral Reservoir is a disinfectant that destroys bacteria while the {patented} mineral formula also neutralizes acids which helps keep the pH in an acceptable range with less monitoring. The controlled release of minerals provides an optimum level of protection in your pool. The Frog Mineral {System} {Technology} {Formula}+ reduces chlorine use up to 50%*. Simply use the Pool Frog Mineral Reservoir with at least 0.5 ppm of an EPA registered source of chlorine or a chlorine delivery device. Using the Pool Frog Mineral {System} {Technology} {Formula}+ with reduced chlorine levels improves {swimming pool pleasure} {your swimming experience} by reducing the problems associated with chlorine including faded bathing suits, premature damage to pool equipment or surfaces and smelly odors. With the Pool Frog Mineral Reservoir, pool care is easy and effective.

It is a violation of Federal Law to use this product in a manner inconsistent with its labeling.

Directions for Use: For use in small above ground pools {up to 4000} {between 4000 and 9000} {up to 9000} gallons. Use this Pool Frog Mineral Reservoir with the Pool Frog Chlorine Cartridge in the Frog Splash System. Ensure all equipment is working properly according to the pool manufacturer. For best results, balance pH to between 7.2 and 7.8.

Setting Pool Frog Mineral Reservoir: While holding the bottom of the cartridge, turn the top until the number 6 appears in the setting window.

Using the Frog Splash System: Push the Pool Frog Mineral Reservoir into the bottom opening of the floating Frog Splash System. For best results, insert the Pool Frog Chlorine Cartridge (EPA Reg. No. 53735-2) into the other opening. Set entire system in the pool water.

[Product Description 4 and Directions for Use for Spa Cartridge]

For use in the {In-Line System} {or the} {Floating System}

Product Description: The Pool Frog Mineral Reservoir is a disinfectant that contains a {patented} mineral formula that destroys bacteria while neutralizing acids, which helps keep the pH in an acceptable range with less monitoring. Using the Frog Mineral {System} {Technology} {Formula}+ with reduced levels of {bromine} {or} {chlorine} improves {spa} {hot tub} pleasure {by reducing the problems associated with {bromine} {or} {chlorine} including faded bathing suits, premature damage to {spa} {hot tub} equipment or surfaces and smelly odors}.

Replace the Pool Frog Mineral Reservoir after 4 months or when draining and refilling {spa} {hot tub} with fresh water.

It is a violation of Federal Law to use this product in a manner inconsistent with its labeling.

Directions for Use: For use in {spas} {hot tubs} up to {500} {600} gallons. Use this Pool Frog Mineral Reservoir with the {Bromine Cartridge} {SPA CHLORINE DISINFECTANT Cartridge} in {either} the {In-Line System} {or} {Floating System}. Ensure all {spa} {hot tub} equipment is working properly. Operate the pump and filter for at least 3 hours per day. Clean filter following manufacturer's directions. Adjust pH to between 7.2 – {7.6} {7.8}. {With a freshly filled {spa} {hot tub},} {Begin with} {Establish} a {bromine or chlorine residual of 1.0-2.0 ppm} {chlorine residual with SPA CHLORINE DISINFECTANT of 0.5-1.0 ppm [EPA Reg. No. 53735-14]} {with} {from} {Frog Jump Start start-up shock {that came in the package} {an EPA approved {spa} {hot tub} shock} {or by other means} following the directions on that product.

Always maintain a {bromine {or chlorine} residual of at least 1.0 ppm} {chlorine residual with SPA CHLORINE DISINFECTANT of 0.5 -1.0 ppm [EPA Reg. No. 53735-14]}. Shock {spa} {hot tub} {once a week or as needed} {when you replace a SPA CHLORINE DISINFECTANT Cartridge or once a month} {if the water looks cloudy}. {When using other products as outlined in directions for this product, always follow directions on those products. Keep the {spa} {hot tub} free of leaves and debris.}

Setting Pool Frog Mineral Reservoir: While holding the bottom of the cartridge, turn the top until the number 6 appears in the setting window. {This cartridge may be used in {one of} the following application{s}:}

{Using the In-Line System: Open cap of In-Line System. Push down and turn cartridge holder counter-clockwise to unlock. Pull holder out. Snap the Pool Frog Mineral Reservoir into the area marked "Minerals" (top portion) making sure to line up the indentation near the top of the cartridge with the raised line on the holder. For best results insert the {Bromine Cartridge (EPA Reg. No. 53735-10)} {SPA CHLORINE DISINFECTANT Cartridge (EPA Reg. No. 53735-14)} in the area marked {"Bromine"} {or Chlorine"} {or SmartChlor"} (bottom portion). When cartridge is snapped in, replace holder by lining up arrow on handle with arrow on system lip, push down and lock in place. Replace cap.}

{Using the Floating System: Push the Pool Frog Mineral Reservoir into the bottom opening of the floating Spa Frog system. For best results insert the Spa Frog Bromine Cartridge (EPA Reg. No. 53735-10) into the other opening. Set entire system in the {spa} {hot tub} water.}

[Product Description 5 and Directions for Use for Filter Spa Product]

Product Description: Pool Frog Mineral Reservoir is a disinfectant that contains a {patented} mineral formula that destroys bacteria while neutralizing acids, which helps keep the pH in an acceptable range with less monitoring. Using the Frog Mineral {System} {Technology} {Formula}+ with reduced levels of bromine {or chlorine} improves {spa} {hot tub} pleasure {by reducing the problems associated with bromine {or chlorine} including {faded} {fading} bathing suits, premature damage to {spa} {hot tub} equipment or surfaces and smelly odors}.

Replace Pool Frog Mineral Reservoir after 4 months or when draining and refilling {spa} {hot tub} with fresh water.

It is a violation of Federal Law to use this product in a manner inconsistent with its labeling.

Directions for Use: For use in {spa}s {hot tubs} up to {500} {600} gallons. Ensure all {spa} {hot tub} equipment is working properly. Operate the pump and filter for at least 3 hours per day. Clean filter following manufacturer's directions. Adjust pH to between 7.2 – {7.6} {7.8}. With a freshly filled {spa} {hot tub}, establish a bromine or chlorine residual of 1.0-2.0 ppm with {an EPA approved {spa} {hot tub} shock} {or by other means} {a start-up {spa} {hot tub} shock packet}. Always maintain a bromine {or chlorine} residual of at least 1.0 ppm. Shock {spa} {hot tub} once a week or as needed. When using other products as outlined in directions for this product, always follow directions on those products. Keep the {spa} {hot tub} free of leaves and debris.

Installing Pool Frog Mineral Reservoir: {Set reminder dial to four months from month of installation. Turn dial by hand or with a coin if needed.} {Mark your calendar with enclosed reminder sticker for the 4 month replacement date.} {Set for 4 months} Place Pool Frog Mineral Reservoir in one of the following locations:

- a. Majority of {Spas} {Hot Tubs}: insert Pool Frog Mineral Reservoir inside filter cartridge core. Do not allow product to sit too low in the filter. If blocking water flow, install in filter well. If installed inside a standpipe, attach a string to the {handle on top} {Frog head handle} for easy removal.
- b. High Flow {Spas} {Hot Tubs}: on skimmer filters with 2.5 HP or larger pump motors, place Pool Frog Mineral Reservoir in filter well outside the filter cartridge.
- c. Small Cartridge or Other {Spas} {Hot Tubs}: place Pool Frog Mineral Reservoir in skimmer tray.

[Product Description 6 and Directions for Use for Floating Pool Cartridge]

Product Description {For Pool Frog Mineral Reservoir Mineral{s} {Cartridge}}: Pool Frog Mineral Reservoir is a disinfectant that {part of a complete {pool} {water} care system} {mineral sanitizing pool care} {pool care with sanitizing minerals} {sanitizing mineral pool care} {for {pop up} {splasher} {small above ground} {easy set} {quick set} {metal frame} {oval frame} {ultra frame} {frame} {set} pools} {and swim spas} that {uses the} {utilizes a} {patented} mineral formula with {low{er}} {reduced} levels of chlorine to destroy bacteria, help maintain {a neutral} pH {with less monitoring} and restore water clarity. Use with the chlorine {half} {hemisphere} {replacement} {cartridge} {pac} {recharge} and simply {connect,} {turn} {twist} to set {the dial} {and} {then} {toss into} {plop in} {tether to} the pool {or swim spa}. Everything is prefilled and contained {{for} no mess, no guess {and} no stress {{pool} {water} care}}. {The best part is it flips over when {empty} {out} {time to replace a {chlorine} cartridge.} {Hey! Less Work Hey! Less Chlorine Hey! Less Money}. {Plus minerals reduce chlorine use up to 50% which {helps} prevent{s} faded {bleached} {swim}suits, premature damage to {pool} equipment or surfaces and smelly odors}.

It is a violation of Federal law to use this product in a manner inconsistent with its labeling.

Directions For Use: For use in {{above ground} {or} {in ground} pools {up to {12'} {15'} {16'} {18'} {20} {21} in diameter} {or} {approximately {3000} {4000} {5000} {6000} {8000} {10,000} gallons} {between {1000} {2000} {5000} and {5000} {6000} {10,000} gallons}.} {May also be used in swim spas approximately {1000} {1500} to {2000} {2500} 3000} {3500} gallons. {Not recommended for pools under {1000} {2000} {5000} gallons}. {Use one per {5000} {10,000} gallons.} {Check the package to ensure you have the right Pool Frog Mineral {Reservoir} {System} {or} {chlorine recharge} {cartridge} for your size pool {or swim spa}.} Ensure all {pool} equipment is working properly with adequate circulation per the {pool} manufacturer. Balance the water's pH to between 7.2 and 7.8. Shock {pool} {the water} to remove contaminants (follow manufacturer's directions).

[Assembly Option #1]

{To assemble: Remove the outer packaging {before using {the Pool Frog Mineral {Reservoir} {System} {or} {chlorine recharge} {this cartridge}}. Bring the {insert color} mineral and {insert color} chlorine {halves} {hemispheres} {cartridges} {pacs} {pieces} {sections} together {with {arrows} {alignment marks} {tick marks} {icons} {water drops} {snaps} aligned along the edge of both {halves} {cartridges}} {with the arrow on the chlorine cartridge lined up with the {unlock symbol} {catches} on the mineral cartridge} {(see Figure A)}. {Push together and twist {the bottom cartridge x degrees} to {lock} {the lock {symbol} {position}}. {Rotate the two cartridges until you hear the {safety} {locking} tab click into place.}

{Rotate the two {halves} {hemispheres} {cartridges} {pacs} {pieces} {sections} opposite of each other {(see Figure B)} until the {recommended} initial setting for your pool {or swim spa} size {appears in the setting window} {is lined up with the {arrow} {alignment mark} {tick mark} {icon} {water drop}.} {see Figure C)} {(see chart in {FROG System} manual)}. {For example, the} most common pool size {of} 15' {diameter}, 4000 gallons {would start on} setting #5.}

[Assembly Option #1A]

{Align the bottom {chlorine} cartridge with {marks} {arrows} {symbols} {tab guides} on the top {mineral} cartridge. Push in until you hear {it {click} {snap} into place} {the tab guides engage}.} {Line up the {features} {snaps} {marks} {tab guides} on the two cartridges and push together until you hear the cartridge click into place.}

{Twist the dial on the {bottom} {chlorine} cartridge to the setting {number} for your pool {or swim spa} size (see chart).} {Start with the {factory} {middle} {medium} {center} setting. If you find less chlorine is needed turn the dial to {the} {a} lower setting –if more is needed turn it to {the} {a} higher setting.} Even at the lowest setting {of 0} there will be some chlorine released into the {pool} {water}.

Once set, place directly in the {pool} {or swim spa}. {With the cord provided} {Tether it to the pool {side} {or ladder} {with {a string} {the cord} {provided} through the {loop} {hole} in the product}.} {For swim spas do not tether the product but allow it to free float.} Initially test {the} water {daily} {for

chlorine} {using} {with} FROG Test Strips {or a recognized swimming pool test kit or testing device}. Adjust the {system up or down by one setting per day} {setting if necessary} until the ideal free available chlorine (FAC) range of 0.5 to 1.0 ppm is maintained. {You may remove} product from pool when in use.} {You must remove from swim spas when in use due to high jet action that could deplete the chlorine cartridge prematurely.}}

[Assembly Option #2]

{To assemble: Remove outer packaging

- Align arrows on {insert color} mineral and {insert color} chlorine cartridges (see Figure A {below})
- Push together and rotate to connect (see Figure # {below})
- Find setting from initial setting chart (see Figure # {below})
- Lock in setting and place in pool (see Figure # {below})
- {Attach cord and tether to pool or ladder} {Do not tether if using in a swim spa}
- Maintain 0.5 to 1.0 ppm free chlorine level
- Initially test water with {Frog} Test Strips daily
- Adjust setting if needed one number per day
- {Product may be removed when pool is in use} {Remove product when pool is in use}
- {Product must be removed from swim spas when in use}}
- Shock pool as needed to maintain water clarity

When the {complete Frog System} {Pool Frog Mineral Reservoir} {flips} {rolls} over the chlorine {half} {cartridge} is empty and must be replaced.

To remove, {rotate the two {halves} {hemispheres} {cartridges} {pacs} {pieces} {sections} until the {arrows} {alignment marks} {tick marks} {icons} {water drops} align along the edge of both {halves} {cartridges} (see Figure A) and pull apart}.

{To remove the {bottom} {chlorine} cartridge, release the {safety} {locking} tab by pulling or pushing the release with your finger.} {To release the {bottom} {chlorine} cartridge, squeeze the tabs and pull the empty cartridge out.}

{If the Pool Frog Mineral Reservoir has not been used for 6 months or one pool season whichever is shorter, simply attach a new chlorine {brand} {half} {hemisphere} {replacement} {cartridge} {pac} {recharge} and set the complete system back in the water.} Do not allow chlorine cartridge to sink to the bottom or pool/swim spa} bleaching may occur.

If the chlorine {brand} {half} {hemisphere} {replacement} {cartridge} {pac} {recharge} still contains a small amount of chlorine after the system has {flipped} {rolled} over, place in {pool {or swim spa} until completely empty} {hang on the tether via the {hook} {loop} on the side of the cartridge {until completely empty}. {Once the Pool Frog Mineral Reservoir has been used for 6 months or one pool season whichever is shorter, the minerals are no longer active. Replace the entire Pool Frog Mineral {System} {Reservoir} and discard the mineral {half} {hemisphere} {cartridge} {pac} {piece} {section} in the trash.}

[The following copy is engraved on the Floating Pool Cartridge plastic container]

Not A Toy

No es un juguete

Keep Out of Reach of Children

CAUTION

EPA Reg. No.: 53735-11{-xxxxx}

{kingtechnology.com} [OR] {heycoolpool.com}

{U.S. & Foreign patents pending}

{Patents} {Patent Pending}: {www.kingtechnology.com/IP} [OR] {www.heycoolpool.com/IP}

[Product Description 7 and Directions for Use for Cartridge for Bulk Chlorinator]

Product Description: Pool Frog Mineral Reservoir is a disinfectant that is part of a complete pool care system that works inside an {Hayward®} {Rainbow®} chlorinator utilizing a {patented} mineral formula with low levels of chlorine to destroy bacteria, help maintain pH and restore water clarity. The Frog Mineral {System} {Technology} {Formula}+ reduces chlorine use up to 50%*. Simply use with the Chlorine Pac (EPA Reg. No. 53735-2) by {attaching} {connecting} {latching} the two pacs together and inserting in the center of a {Hayward®} {Rainbow®} {or equivalent} chlorinator. Using the Pool Frog Mineral {System} {Technology} {Formula}+ improves {swimming pool pleasure} {your swimming experience} by reducing the problems associated with chlorine including faded bathing suits, premature damage to pool equipment or surfaces and smelly odors.

Replace the Pool Frog Mineral Reservoir after 6 months.

It is a violation of Federal Law to use this product in a manner inconsistent with its labeling.

Directions For Use: For use inside {Hayward®} chlorinator models CL200 and CL220} {Rainbow®} chlorinator models 300 and 320} {or equivalent chlorinators} for pools up to {10,000} {15,000} {20,000} {25,000} {30,000} {35,000} {40,000} gallons. Pool Frog Mineral Reservoir must be used with the Chlorine Pac. Before using, balance the pH to between 7.2 and 7.8 and total alkalinity between 80-120 ppm and shock the pool with a {chlorine shock per the manufacturer's directions.} {shock pac per its label directions.} Make sure the chlorinator is completely empty of chemical. Never mix chemicals. If used previously with a chemical other than Trichlor, clean inside of chlorinator thoroughly. Then follow the directions below:

1. {Remove {tape} {foil} covering the water holes {on the bottom and {side of}} {Remove plug from side of} the chlorine pac.
2. Connect the Pool Frog Mineral Reservoir to the Chlorine Pac by bringing the two pieces together, lining up the arrows and turning the chlorine pac clockwise until locked in place.
3. Turn circulation pump off, turn the {Hayward®} {Rainbow®} chlorinator dial to off and remove its cap.
4. {Lift} {Use} handle {and} {to} insert the complete system into the {Hayward®} {Rainbow®} chlorinator by lining up the short square channel on the Pool Frog Mineral Reservoir with the dial side of the chlorinator. Lower until seated. The cap will not close properly if the product is not seated correctly. Lift up and reinsert until seated properly.
5. Replace the cap on the {Hayward®} {Rainbow®} chlorinator and turn pump back on. Set the control dial according to the chart in the manual. When using the Pool Frog Mineral Reservoir maintain a free available chlorine (FAC) level of 0.5 ppm to 1.0 ppm. Adjust the chlorinator dial to increase or decrease chlorine output.
6. {If using Algaecide Pac. Before attaching the Chlorine Pac (step 2) {push} {screw} {affix} {insert} algaecide {pac} {container} {bottle} {on} {in} to the {chlorinator} {adapter that attaches to the} {Pool Frog Mineral Reservoir} {while inside the chlorinator} {then insert into chlorinator}. Replace cap, turn dial full open and run for 90 minutes. Remove algaecide bottle and discard or recycle.}

[Product Description 8 and Directions for Use for {Spa} {Hot Tub} Floating/Flipping System to be used with SPA CHLORINE DISINFECTANT EPA Reg. No. 53735-14]

Product Description: A complete two part system for {hot tubs} {spas} up to {500} {600} gallons consisting of Pool Frog Mineral Reservoir disinfectant and SPA CHLORINE DISINFECTANT which together provides Fresh Mineral Water that is cleaner because it kills bacteria two ways, clearer because the minerals help keep the pH in an acceptable range with less monitoring and softer because minerals condition the water and with 75%* less chlorine, the water feels soft and doesn't fade swimsuits, damage equipment or create smelly odors.

Replace the Pool Frog Mineral Reservoir after 4 months or when draining and refilling {spa} {hot tub} with fresh water.

It is a violation of Federal Law to use this product in a manner inconsistent with its labeling.

Directions for Use: For use in {spas} {hot tubs} up to {500} {600} gallons. Use with the SPA CHLORINE DISINFECTANT. Ensure all {spa} {hot tub} equipment is working properly. Operate the pump and filter for at least 3 hours per day. Clean filter following manufacturer's directions. May be used with a previously filled {spa} {hot tub} unless it was sanitized with bromine. Then drain and fill the {spa} {hot tub} with fresh water.

Start-up: Balance the water according to the water balance guidelines with pH between 7.2 – 7.8 and total alkalinity at 80 to 120 ppm. Begin with {Establish} a free chlorine residual of 0.5 to 1.0 ppm in the {spa} {hot tub} {from Frog Jump Start start-up shock} {or} with an EPA approved {spa} {hot tub} chlorine shock following the directions for that product. {When using other products as outlined in directions for this product, always follow directions on those products.}

To assemble:

- Remove outer packaging
- {Peel off {protective} {seal} {label} from the flat part of the SPA CHLORINE DISINFECTANT cartridge}
- Align arrows on {color} mineral cartridge and {color} chlorine cartridge
- Push together and twist to lock
- Set the dial on the chlorine cartridge (see Setting Chart in manual)
- Place entire system in the {spa} {hot tub} water.
- {Weekly} {Periodically} test the water to ensure pH balance and a 0.5 to 1.0 ppm chlorine level
- Adjust cartridge setting if needed
- Shock the {hot tub} {spa} when replacing SPA CHLORINE DISINFECTANT or once a month

Replacing the Cartridges: Replace the SPA CHLORINE DISINFECTANT when the system flips over. Follow label directions carefully. After four months or when draining and refilling the {spa} {hot tub}, replace the Pool Frog Mineral Reservoir

[The following copy is engraved into the plastic container]

Not a toy

No es un juguete

Keep Out of Reach of Children

CAUTION

EPA Reg. No.: 53735-11{-xxxxx}

{kingtechnology.com} [OR] {heycoolpool.com}

{U.S. & Foreign patents pending}

{Patents} {Patent Pending}: {kingtechnology.com/IP} [OR] {heycoolpool.com/IP}

[Protective Seal Copy]

{Remove this {seal} {label} before use. Hold over the {hot tub} {spa} and allow any {fines} {particles} to dissolve in the water.}

[*Product Description 9* and Directions for Use for {Spa} {Hot Tub} In-Line System to be used with SPA CHLORINE DISINFECTANT EPA Reg. No. 53735-14]

Product Description: A complete two part system for {hot tubs} {spas} up to {500} {600} gallons consisting of Pool Frog Mineral Reservoir disinfectant and SPA CHLORINE DISINFECTANT which together provides Fresh Mineral Water that is cleaner because it kills bacteria two ways, clearer because the minerals help keep the pH in an acceptable range with less monitoring and softer because minerals condition the water and with 75%* less chlorine, the water feels soft and doesn't fade swimsuits, damage equipment or create smelly odors.

Replace the Pool Frog Mineral Reservoir after 4 months or when draining and refilling {spa} {hot tub} with fresh water.

It is a violation of Federal Law to use this product in a manner inconsistent with its labeling.

Directions for Use: For use in {spas} {hot tubs} up to {500} {600} gallons. Use this Pool Frog Mineral Reservoir with the SPA CHLORINE DISINFECTANT in the {brand} In-Line System. Ensure all {spa} {hot tub} equipment is working properly. Operate the pump and filter for at least 3 hours per day. Clean filter following manufacturer's directions. {May be used with a previously filled {spa} {hot tub} unless it was sanitized with bromine. Then drain and fill the {spa} {hot tub} with fresh water.}

{Start-up:} Adjust pH to between 7.2 – {7.6} {7.8} and Total Alkalinity between 80 and 120. {With a freshly filled {spa} {hot tub},} {Begin with} {Establish} {a free chlorine residual of 0.5-1.0 ppm} {with} {from} {Frog Jump Start start-up shock {that came in the package} {an EPA approved {spa} {hot tub} shock} {or by other means} following the directions on that product.

Always maintain a chlorine residual with SPA CHLORINE DISINFECTANT of 0.5 to 1.0 ppm [EPA Reg. No. 53735-14]. Shock {spa} {hot tub} {once a week or as needed} {when you replace a SPA CHLORINE DISINFECTANT Cartridge or once a month} {if the water looks cloudy}. {When using other products as outlined in directions for this product, always follow directions on those products. Keep the {spa} {hot tub} free of leaves and debris.}

Setting Pool Frog Mineral Reservoir: While holding the bottom of the cartridge, turn the top until the number 6 appears in the setting window.

{Using the In-Line System:} Open cap of In-Line System. Push down and turn cartridge holder counter-clockwise to unlock. Pull holder out. Snap the Pool Frog Mineral Reservoir into the area marked "Minerals" (top {portion} {section}) making sure to line up the indentation near the top of the cartridge with the raised line on the holder. For best results insert the SPA CHLORINE DISINFECTANT Cartridge (EPA Reg. No. 53735-14) in the area marked "Bromine or SmartChlor" (bottom {portion} {section}). When cartridge is snapped in, replace holder by lining up arrow on handle with arrow on system lip, push down and lock in place. Replace cap.}

[Disposal Statement 1 for Pool Cartridge, Skimmer Application, Pool Cartridge used in Floating System, Floating Pool Cartridge and Cartridge for Bulk Chlorinator]

Disposal: After six months of use {or one pool season whichever is shorter}, discard Pool Frog Mineral Reservoir {mineral cartridge} in trash even if it appears there is spent media left inside. Non-refillable container. Do not reuse or refill this container. {Do not attempt to reuse the {Reservoir} {cartridge} {pac} {hemisphere} {replacement} once removed from the {Frog Cyclor} {skimmer} {floating Frog system}{pool.} In the unlikely event that a {Reservoir} {cartridge} {pac} {hemisphere} {replacement} should break and release raw minerals into the pool - vacuum out.

[Disposal Statement 2 for Spa Cartridge and Filter Spa Product]

Disposal: After four months of use, or when draining and refilling the {spa} {hot tub} with fresh water, discard Pool Frog Mineral Reservoir in trash even if, upon shaking, it appears there is spent media left inside. Once wetted the time released minerals in the cartridge are effective up to four months. Non-refillable container. Do not reuse or refill this container. {Do not attempt to reuse the product once removed from the {spa} {hot tub}.}

{NOTICE: Neither King Technology, Inc. nor the seller of this product can accept any responsibility where the product is not used according to directions and for the manner in which it was intended.}

{NOTE: Buyer assumes all responsibility for safety and use not in accordance with directions.}

[Operational Instructions 1 for Pool Cartridge]

[All text is optional]

POOL FROG Mineral Reservoir: {Patented} Mineral Pool {Sanitizer} {Disinfectant}

Operational Instructions

**REPLACE {Mineral Reservoir} EVERY 6 MONTHS OR
AFTER ONE POOL SEASON WHICHEVER IS SHORTER.**

{Swimming Pool Tips} {Start-up} {Step One: Preparing the Pool}

1. Make sure the pool has adequate circulation. The pool water must completely circulate through the pump and filter at least 1 to 2 times per day. This usually requires 8 to 12 hours. Check with your dealer for the proper circulation time for your pool.
2. Check the pool's filter gauge often and periodically clean filter per the manufacturer's directions. A dirty filter will slow the flow of water which could hamper proper circulation.
3. If using source water that is high in iron or other metals, see your dealer before filling or topping off the pool. It may require the use of a metal control product.

4. Before beginning with any pool care program, you must first balance your pool water. Take a water sample to your local pool professional {or use a complete test kit} that will test for the important Water Balance Guidelines. Our recommendation for achieving water balance is to follow steps a through e in order. **IMPORTANT:**

Always follow printed instructions on the balancing chemical packages. Add balancing chemicals in small increments one at a time with circulation running and wait 8-12 hours before testing again and adding any additional balancing chemicals.

Water Balance Guidelines

pH:	7.2-7.8
Total Alkalinity:	80-120 ppm
Calcium Hardness:	200-400 ppm
Total Dissolved Solids:	<1500
Stabilizer/Conditioner:	20-80 ppm
Free Chlorine:	0.5-1.0 ppm

- a. Take a water sample from the pool and dip a FROG Test Strip into it.
 - b. Look at the Total Alkalinity reading first. Adjustments should be made to bring the Total Alkalinity in the range of 80 – 120 ppm prior to making any adjustments to pH even if it throws pH off further.
 - c. After Total Alkalinity is in range, test for pH. It should be between 7.2 and 7.8. If higher or lower, add a pH adjuster.
 - d. Then test for Calcium Hardness. It should be between 200 and 400 ppm. If higher, partially drain the pool and fill with water low in calcium. If lower, add Calcium Increaser.
 - e. Lastly test for stabilizer or conditioner levels. Add stabilizer/conditioner if the level is below 20 ppm. This will prevent chlorine burn off.
5. {After balancing the water} {Shock the pool with {an EPA registered chlorine shock} {a shock pac} to rid the water of all contaminants. {If balancing takes longer than 2 days shock the water and maintain a chlorine level while continuing balancing.} Follow manufacturer's directions carefully.} {If using standard chlorine shock} Do not add shock in or near the skimmer or into the {cyclor} {chlorinator} {feeder} as it could damage equipment, risk potential explosion or discolor your pool surface.

NOTE: THIS STEP IS VERY IMPORTANT TO START-UP. USE CHLORINE SHOCK

ONLY.

6. Begin {regular} {routine} pool care {procedures} (see back page) as soon as {start up is complete} {pool is prepared}.

{Start-up and Operation} (Step Two: Putting The System To Work)

{Pool Frog Mineral Reservoir {now with Start-up Water Polishers for easier start up.}}

1. {Install POOL FROG Mineral Reservoir into the {cyclor} {chlorinator} {feeder}. (See page x for directions.) Replace cap and run {cyclor} {chlorinator} {feeder}, with POOL FROG Mineral Reservoir inserted, for 10 minutes {on setting {Maximum}, Setting {10} {5} or {On} depending on the model} {highest setting}.

REPLACE THE POOL FROG MINERAL RESERVOIR EVERY 6 MONTHS OR AFTER ONE POOL SEASON WHICHEVER IS SHORTER.

2. {Shock the pool with {potassium monopersulfate} {non-chlorine shock pac} to rid the water of all contaminants. (See page x for directions.)}
3. {Create a chlorine residual with {an EPA registered chlorine shock} {a chlorine shock pac} {See page x for directions.} This step is very important {to start-up.} Always begin with chlorine in the pool water.}
4. {Test the water before adding FROG BAM} {For a 90 day algae protection guarantee {When the pH is between 7,2-7.8 and the chlorine level is no more than 4.0 ppm,} Insert FROG BAM into POOL FROG Mineral Reservoir {in cyclor} {chlorinator} {feeder}. (See page x for directions.)}
5. When chlorine reading is down to 1.0 ppm, which may take a few days, insert chlorine {bac} pac. (See {left column} {page x} for directions.)}

{How to replace the Pool Frog components}

{Replacing} {Using} a POOL FROG Mineral Reservoir, {FROG BAM} and {Bac Pac} or {Chlorine Pac}

1. {Check the {top} {front} of the box {and {back} label of product to} make sure you have the correct POOL FROG Mineral Reservoir to fit your {POOL FROG Cyclor} {chlorinator} {feeder}. The colored barcode will indicate {if it fits in ground versus above ground.} {how many gallons it will handle.} {Above Ground Series XXXX or In Ground Series XXXX for use with Cyclor Models XXXX and XXXX.}} {The POOL FROG Mineral Reservoir fits in the {FROG Leap Infuzer Model XXXX} {and the} {POOL FROG Cyclor Models XXXX and or XXXX.}}

THE POOL FROG MINERAL RESERVOIR MUST BE REPLACED EVERY 6 MONTHS OR AFTER ONE POOL SEASON WHICHEVER IS SHORTER.

2. {{Once you have determined you have the right mineral reservoir,} open the box and remove the POOL FROG MINERAL RESERVOIR.}

IMPORTANT: Remove and read the inserted information card.

{CAUTION read carefully –

USE ONLY the factory recommended replacement POOL FROG Mineral Reservoir, {algaecide pac} {shock pac} {algaecide and shock pacs} {FROG BAM} and Bac Pac. DO NOT USE any

other pac or bulk chemical tablets in the cyclor {or put anything inside other than the appropriate {Frog Leap} or {Pool Frog} product as directed in the product instructions}. Use of any other product could result in damage to pool equipment or surface, unsafe pool conditions, fire or explosion. Warranty will be void if the correct POOL FROG Mineral Reservoir, {algaecide pac} {shock pac} {algaecide and shock pacs} {FROG BAM} and Bac Pac are not used.}

3. Turn off pump {and turn dial to {Pac Removal}, Setting {0} or {Off} depending on the model.} {turn dial to lowest setting.}
4. Open cap, if using {bac pac} {chlorine pac} stand back to avoid inhaling chlorine fumes.
5. {Find slot on side of POOL FROG Mineral Reservoir and line up with fin inside the cyclor.} {Pull up on Bac Pac to {remove} {unconnect} old Reservoir and discard in trash.} {Insert Bac Pac inside new reservoir.} {Push together until parts connect.} Lower {POOL FROG Mineral Reservoir} into {cyclor} {chlorinator} {feeder} until secure.
Slot it Pool Frog Mineral Reservoir
Fin inside {cyclor} {chlorinator} {feeder}

{{Replacing} {USING} FROG BAM {FOR AN ALGAE-PROTECTION GUARANTEE
(If you are not using FROG BAM proceed to Step 12.)}

For a preventative dose, add one FROG BAM for pools up to 15,000 gallons or two FROG BAM for pools between 15,000 and 30,000 gallons.

See FROG BAM product labeling for complete directions for use (EPA Reg. No. 53735-9).

1. Remove cap from FROG BAM without removing seal. {NOTE: Wait 24 hours after shocking before using FROG BAM. Avoid adding other chemicals until this product has been circulated (filtered) for at least 24 hours.} If Bac Pac is currently being used inside the mineral reservoir, remove and set aside.
2. {Insert upside down into center of POOL FROG Mineral Reservoir} {Insert FROG BAM into center of reservoir {pushing together until parts connect} and lower into {cyclor} {chlorinator} {feeder} pushing down firmly on key to puncture seal.
3. Replace cap by hand only. DO NOT OVER TIGHTEN. {Turn control dial {on cyclor} to {Maximum}, Setting {10} {5} or {On} depending on the model.} {highest setting.}
4. Turn pump on for 90 minutes allowing FROG BAM to circulate through pool.
5. To remove FROG BAM, turn pump off, turn dial to {Pac Removal}, Setting {0} or {Off} depending on the model, {lowest setting} remove {cyclor} cap.
6. Lift FROG BAM up and allow any water in the container to drain through the {cyclor} {chlorinator} {feeder}, {remove} {unconnect} from Reservoir} before recycling or discarding in trash.

NOTE: If water shows more than a hint of blue inside cyclor, replace the {cyclor} {chlorinator} {feeder} cap, {turn dial to {Maximum}, Setting {10} {5} or {On} {highest setting}} and run the pump for one minute.

11a. If pool size requires additional FROG BAM, repeat steps x-x.

11b. When water is clear in {cyclor} {chlorinator} {feeder}, proceed to step x.} {install Bac Pac}

{Replacing} {USING} THE {BAC PAC} {Chlorine Pac} (Non-Chlorine Shock Pac) {Chlorine Shock Pac}

{Pool Frog Bac Pac for use in the in ground and above ground systems}
{Pool Frog Pac 540C for use in the XL Pro Chlorine Cycller}
{Pool Frog Pac 610C for use in the dual {25K} {System} chlorine cycller {Pool Frog Twin}}
{Non-Chlorine Shock Pac is a one-time start-up product used to rid the water of contaminants.
Chlorine Shock Pac also used at start up, sets the chlorine residual to help find the proper dial setting from maintaining up to 50%* less chlorine while using the chlorine Bac Pacs (EPA Reg. No.: 53735-2). All products sold separately.}

1. {Bac Pac} {Chlorine pacs} are recommended to assure up to 50%* reduction in chlorine use.
Pacs sold separately. (EPA Reg. No. 53735-2)

**Compared to the minimum EPA recommended chlorine level of 1.0 ppm for a stabilized swimming pool.*

Avoid sparks, open flame or smoking when handling the {non-chlorine shock pac, chlorine shock pac or} bac pac.

2. Open Pac

- 2a. Pool Frog Bac Pac

{To} {For Bac Pac,} remove colored tabs {by grabbing} {grab} on to the lip of one cap {with a pliers} and {pulling} {pull} up until cap releases. Repeat the process for the other cap.

- 2b. Pool Frog Pac 540C and 610C

For 540C and 610C pacs, find the indent in the plastic handle and cut using a 2" PVC cutter or hacksaw. Either way, make sure the blade comes straight across on the indent line for a clean cut. If openings are pinched together, open with fingers or re-cut closer to the colored screens inside the Pool Frog Pac. Leave at least ¼" of plastic to fit into the Pool Frog Cycller.

Avoid pinched opening

A correct oval opening

3. {Turn {bac} pac over} {invert pac} and shake slightly until {chlorine tablets} {ingredients} fall into tower areas.

Bac Pac Towers

540C Pac Towers

610C Pac Towers

4. Insert Pac into Cycller

- 4a. Pool Frog Bac Pac.

{For Bac Pac,} {line up the small leg with small opening in the POOL FROG Mineral Reservoir and large leg with the large opening.} {Insert into center of reservoir.} {Push together until snapped in place.} Lower {pac} into {cycller} {chlorinator} {feeder} {POOL FROG Mineral Reservoir} until secure.

- 4b. Pool Frog Pac 540C and 610C .

For 540C or 610C line up the openings in the pacs with the keys in the Pool Frog Chlorine Cycller. Note; Openings are a different shape than keys. Lower pac until secure.

Opening in Pool Frog Pac

Key in Pool Frog Cycller

Pool Frog Mineral Cycller

Pool Frog Chlorine Cycller

5. Replace cap by hand only. DO NOT OVER TIGHTEN.

- Run the pump and filter for each pac according to the directions on the product label. Remove from the {cyclor} {chlorinator} {feeder} when empty and discard or offer for recycling..

The {chlorine} pacs are made if HDPE plastic. Non-refillable container. Do not reuse or refill this container. Offer for recycling if available. Rinse thoroughly before recycling or discarding in trash.

Mark your calendar for the six month replacement of the POOL FROG Mineral Reservoir, {90-day replacement of FROG BAM} and approximate replacement times for the {Bac Pac} {Pool Frog Pacs}. Once wetted, the time released mineral coating of this product is effective up to 6 consecutive months or one pool season whichever is shorter. After that time, even if you hear the spent media inside, it is no longer effective and must be replaced.

{FOR IN GROUND MODELS}

For In Ground models, cap removal is easier if using the tool included with the cyclor. To loosen cap, hit the handle with the flat of your hand counter clockwise.
DO NOT USE CAP TOOL TO TIGHTEN CAP.}

{Start-up and Operation {Continued}} {Step Three: Setting the {Control} Dial}

{This system is designed to work effectively with a variety of pool equipment as long as the following basic procedures are followed.}

- Set control dial by matching up the parameters of your pool on the charts below. THIS IS A STARTING POINT ONLY and may need to be adjusted to fit your individual pool needs. See # {x} for directions.

Above Ground POOL SIZE		8 HOUR PUMP RUN TIME				12 HOUR PUMP RUN TIME				24 HOUR PUMP RUN TIME			
		PUMP SIZE				PUMP SIZE				PUMP SIZE			
Gallons	Diameter	1/2 hp	3/4 hp	1 hp	1 1/2 hp	1/2 hp	3/4 hp	1 hp	1 1/2 hp	1/2 hp	3/4 hp	1 hp	1 1/2 hp
7,000	(18')	5.0	4.5	4.0	3.5	4.5	4.0	3.0	5.0*	3.5	3.0	2.5	4.0*
9,000	(21')	5.5	5.0	4.5	4.0	5.0	4.5	4.0	5.5*	4.0	3.5	3.0	4.5*
12,000	(24')	6.0	5.5	5.0	4.5	5.5	5.0	4.5	4.0	4.5	4.0	3.5	5.0*
15,000		NR	6.0	5.5	5.0	6.0	5.5	5.0	4.5	5.0	4.5	4.0	3.5
20,000		NR	NR	6.0	5.5	NR	6.0	5.5	5.0	5.5	5.0	4.5	4.0

SINGLE-SPEED PUMP OR HIGH-SPEED PUMP RUN TIME

In Ground POOL SIZE		6 HOUR PUMP RUN TIME				12 HOUR PUMP RUN TIME				24 HOUR PUMP RUN TIME			
		PUMP SIZE				PUMP SIZE				PUMP SIZE			
Gallons		3/4 hp	1 hp	1 1/2 hp	2 hp	3/4 hp	1 hp	1 1/2 hp	2 hp	3/4 hp	1 hp	1 1/2 hp	2 hp
7,000		4.0	3.5	3.0	3.0*	3.0	2.5	4.0*	3.5*	1.5	3.5*	3.0*	2.5*
9,000		4.5	4.0	3.5	3.0	3.5	3.0	2.5	4.0*	2.5	4.0*	3.5*	3.0*
12,000		5.0	4.5	4.0	3.5	4.0	3.5	3.0	2.5	3.0	2.5	1.5	3.5*
18,000		NR	5.0	4.5	4.0	5.0	4.0	3.5	3.0	3.5	3.0	2.5	2.0
25,000		NR	NR	5.0	4.0	NR	5.0	4.0	3.5	4.0	3.5	3.0	2.5
30,000		NR	NR	6.0	5.0	NR	5.5	5.0	4.0	4.5	4.0	3.5	3.0
35,000		NR	NR	7.0	6.0	NR	6.5	5.5	5.0	5.5	4.5	4.0	3.5
40,000		NR	NR	NR	7.0	NR	NR	6.5	5.5	6.5	5.5	4.5	4.0

* - Bypass installation recommended.

NR - This pump size is not recommended for this size pool.

{IMPORTANT: Pump run times of at least 6 hours at high speed are recommended for proper performance. If running low speed only or on high speed less than 6 hours, please follow the 24 Hour Low Speed directions below:

24 HOUR, LOW SPEED PUMP RUN TIME

In order to ensure proper performance when running on low speed for 24 hours or high speed less than 6 hours, bleed the air while the pump is on by unscrewing the cap knob until water appears. Then screw the knob back on. Repeat this process each time the cap is removed for any reason. Set the control dial at #6 and follow the adjustment directions in Step x to determine the correct setting for your pool.}

2. For the first week test the pool water daily for free chlorine {with Frog Brand Test Strips} to ensure correct dial setting. Continue to test weekly throughout the season. After testing, adjust the dial up by ½ increment if the free chlorine reading has dropped below 0.5 ppm or down by ½ increment if the reading has risen above 1.0 ppm. Continue this process each day until the {reading stabilizes to at least 0.5 ppm.} {color on the test strip matches the ideal Frog range of 0.5 ppm to 1.0 ppm chlorine.} Remember to adjust dial by ½ increments only, in order to prevent over chlorination which may bleach pool surfaces.

If using another means of chlorine

Follow steps 1-5 on Start-up and Operation and then continue below.

1. {Maintain setting of {Maximum}, Setting {10} {5} or {On} depending on the model} {highest setting} {Set wide open.} No adjustments needed.
2. Maintain a minimum chlorine reading of 0.5 ppm with a chlorine delivery device or hand feeding.
3. Shock pool every two weeks or as needed to maintain water quality. Follow label directions on the chlorine shock treatment used.

For an easy two-step pool closing program, use Shock Pac and Frog Bam following directions above.

Step Four: Routine Pool Care

- Run filtration system enough hours to circulate all water 1 to 2 times per day. More than that could result in over chlorination.
- Regularly test water with FROG Test Strips to maintain pH and Total Alkalinity.

NOTE: Water balance is affected by bather load, chemical usage, evaporation and the makeup of source water so maintaining water balance regularly is important.

- Maintain 0.5 to 1.0 ppm chlorine level at all times.

Note: Chlorine levels are lower only when used with FROG minerals

- Shock the pool every other week or as needed with a non-chlorine shock. {Additional shocking may be required if the pool is under heavy use, high heat or rain.
- {Before closing the pool for winter, use the {algaecide pac} {shock pac} {algaecide and shock pacs} following the {directions on the pac label} {same directions as pool start up on page x.}}
- {Remember to replace Pool Frog Mineral Reservoir and all other FROG replacements as directed.

Troubleshooting

Cloudy Water or Low Chlorine Levels

- Check water balance. Ensure pH, Total Alkalinity, Calcium Hardness and Stabilizer levels are correct.
- Check Chlorine Pac. If empty, replace following directions on the label.

- Make sure your Mineral {Pac} {Reservoir} is not older than 6 months as it will be ineffective and more chlorine will be required to maintain the pool until you replace the minerals.
- Shock the pool {with a chlorine or non-chlorine shock} to regain clarity.

High Chlorine Levels

- Remove the chlorine pac from the FROG System until the chlorine level is down to 1.0 ppm.
- Lower the dial setting on the FROG System by 1 number.
- Test in 24 hours. Repeat process until chlorine level stays within 0.5 to 1.0 ppm.

Algae

- Use an algaecide following manufacturer's directions carefully. This may involve more than one dose.
- Run circulation 24 hours a day and brush the sides of the pool often
- When clarity starts to return shock the pool
- To prevent algae for 90 days try FROG BAM and its Algae Protection Guarantee.

Learn more at www.KingTechnology.com

[Operational Instructions 2 for Skimmer Application]

[All text is optional]

POOL FROG MINERAL RESERVOIR {For Service}

{Patented} Mineral Pool {Sanitizer} {Disinfectant} Instruction Manual

ELIMINATES DAILY DOSING FOR LESS WORK

SPARKLING WATER FOR IN GROUND POOLS

Specifications

For in ground pools ONLY.

Lasts 6 months once product is wetted.

Easy to set reminder dial for product replacement.

Reduces chlorine use up to 50%*

(With chlorinator or floater turn setting down or use fewer tablets.)

Pool Start Up

1. Balance water according to the chart.

Water Balance Guidelines

pH:	7.2-7.8
Total Alkalinity:	80-120 ppm
Calcium Hardness:	200-400 ppm
Total Dissolved Solids:	<1500
Stabilizer/Conditioner:	20-80 ppm
Free Chlorine:	0.5-1.0 ppm

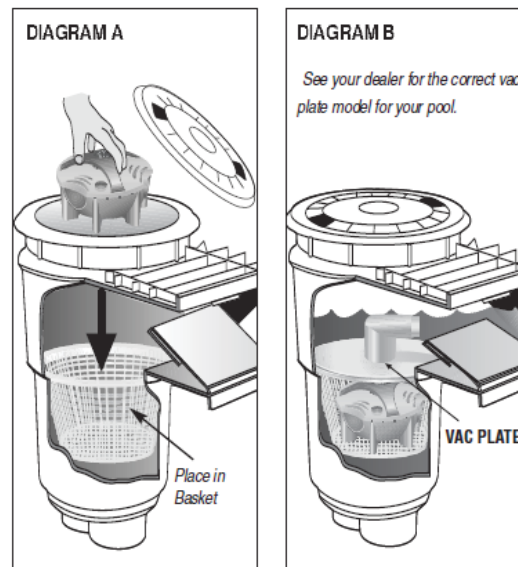
2. Shock pool to remove all contaminants. (Follow manufacturer's directions.)

**Compared to the minimum EPA recommended chlorine level of 1.0 ppm for stabilized swimming pool.*

Thank you for purchasing the Pool Frog Mineral Reservoir. With mineral pool care, your water will feel softer, shine brighter while reducing chemicals and overall pool maintenance.

Installing a Pool Frog Mineral Reservoir

1. Set reminder dial on the Pool Frog Mineral Reservoir to 6 months from date of installation. Turn dial by hand or with a coin if needed.
2. {Remove skimmer cover and skimmer basket handle if applicable. Insert the Pool Frog Mineral Reservoir into skimmer basket. **DIAGRAM A**} {Remove pump lid. Insert Pool Frog Mineral Reservoir into the pump basket. **DIAGRAM A**}
3. If using the Pool Frog Mineral Reservoir with a suction side automatic cleaner installed through the skimmer, it will be necessary to use a vac plate that may come with the skimmer or automatic cleaner. **DIAGRAM B**



Regular Pool Care

1. Run pump and filter at least 8 hours per day.
2. Regularly test water for pH, total alkalinity and chlorine levels.
3. Maintain at least 0.5 ppm chlorine level at all times. A chlorinator or floater is recommended. If using chlorine pucks in the skimmer basket, place them under the Pool Frog Mineral Reservoir.
4. Shock pool every two weeks or as needed to maintain water quality. Follow label directions on the chlorine shock treatment used.
5. Check filter gauge regularly and clean or back-wash when needed per the manufacturer's directions.
6. Periodically clean {skimmer} {pump} basket of excess debris as normal.
7. REMEMBER TO REPLACE THE POOL FROG MINERAL RESERVOIR EVERY 6 MONTHS OR AFTER ONE POOL SEASON WHICHEVER IS SHORTER.

[Operational Instructions 3 for Pool Cartridge used in Floating System]

[All text is optional]

POOL FROG Mineral Reservoir OPERATING INSTRUCTIONS

Congratulations for purchasing {the Frog Splash System}— the complete mineral and chlorine disinfecting system. When using the {patented} Pool Frog Mineral Reservoir with the proprietary Pool Frog Chlorine Cartridge you'll enjoy your pool more with less work and less chlorine.

Less work because:

- The Frog Mineral {System} {Technology} {Formula}+ continuously works to destroy bacteria for six {full} months.
- Cartridges last longer to eliminate daily maintenance.
- Cartridges are pre-filled for no measuring and no mess.
- Simply adjust to your setting and relax for weeks.

Less chlorine because:

- With minerals in the water, chlorine use is cut up to 50%*
- With minerals and low levels of chlorine, the water feels softer.
- The system reduces odors and leaves the water crystal clear.

You're going to love your {Frog Splash} System. If you have any questions, contact our customer service representatives at 800-222-0169.

* Compared to the minimum EPA recommended chlorine level of 1.0 ppm for a stabilized swimming pool.

Pool Start Up

- Clean and replace filter cartridges when dirty (follow manufacturer's instructions)
- Balance water according to the chart

Water Balance Guidelines

pH:	7.2-7.8
Total Alkalinity:	80-120 ppm
Calcium Hardness:	200-400 ppm
Total Dissolved Solids:	<1500
Stabilizer/Conditioner:	20-80 ppm
Free Chlorine:	0.5-1.0 ppm

NOTE: Chlorine levels are lower only when used with Frog minerals

- Very Important: Before using cartridges, establish an initial chlorine residual of 1.0 ppm with a chlorine shock. DO NOT use a non-chlorine shock. Use {the appropriate chlorine test strips or kit and follow manufacturer's instructions.} {Frog Brand Test Strips to accurately maintain the reduced 0.5 to 1.0 ppm chlorine level following the label directions carefully.}
- Begin regular pool care procedures (see back page) as soon as start up is complete.

Setting Cartridges

- Set the mineral cartridge to wide open on #6 by holding the bottom and turning the top until the number 6 appears in the setting window. No further adjustments are necessary.
- Set the chlorine cartridge to an appropriate starting setting depending on pool size {by holding the bottom and turning the top of the cartridge until the desired number appears in the setting window}. {For pools 1000 gallons or less begin on setting 1 or 2.} {For larger pools {up to 4000 gallons} begin on setting 3.} {For pools up to 9000 gallons, begin on setting 5.} Initially monitor chlorine levels daily until at least 0.5 ppm is maintained. Adjusting to a higher setting will increase chlorine output while a lower setting will decrease it. NOTE: if the setting is too high, bleaching of pool liners may occur in smaller pools.

Using the {Frog Splash} System

- Insert both cartridges into the floating holder by pushing them into the openings until they stay in place.
- Let the system free float in the pool.
- When using the pool, simply remove the system, drain most of the water into the pool and set it outside the pool inverted so all excess water drains into the holder.
- REMEMBER TO REPLACE IT IN WATER WHEN FINISHED USING POOL!

Replacing Cartridges

- The Pool Frog Mineral Reservoir must be replaced every 6 months or once a pool season whichever is shorter. At that time discard Pool Frog Mineral Reservoir in trash even if, upon shaking, it appears there is spent media left inside. Once wetted the time released minerals in the cartridge are effective up to six months. Do not attempt to reuse the product once removed from the pool. {For ease in remembering to replace, mark your calendar with the reminder stickers provided with the product.}
- Replace the Pool Frog Chlorine Cartridge when empty. Drain water in cartridge to ensure it is empty then discard in trash. The cartridge life will vary depending on pool size and number of users. {Once your usage is determined, mark the calendar with enclosed reminder stickers.}

Regular Pool Care

- Run filtration system as recommended by your {spa} {hot tub} manufacturer.
- Regularly test water for pH, total alkalinity and {chlorine} {bromine} levels {with the precise Frog Brand Test Strips.}
- Maintain at least 0.5 ppm chlorine level at all times.
- Shock the pool once a week or as needed.
- Additional shocking may be required if pool is under heavy use. This is often the case when the pool is new.
- Remember to replace Pool Frog Mineral Reservoir and Pool Frog Chlorine Cartridge as directed under "Replacing Cartridges."

[Operational Instructions 4 for Spa Cartridge used in Floating System]
[All text is optional]

Floating System {Operation} Instructions

{Congratulations! Your {spa} {hot tub} came with a complete mineral and bromine {or chlorine} {sanitation} {disinfecting} {disinfection} system. When using the {patented} Pool Frog Mineral Reservoir with the proprietary Spa Frog Bromine Cartridge, you'll enjoy your {spa} {hot tub} more with less work and less bromine {or chlorine}.

Less Work Because:

- The Frog Mineral {System} {Technology} {Formula}+ continuously works to control bacteria for four full months.
- Cartridges last longer to eliminate daily maintenance.
- Cartridges are pre-filled for no measuring or mess.
- Simply adjust to your settings and relax for weeks.

Less Bromine {or Chlorine} Because:

- With minerals in the water, bromine {or chlorine} use is cut by up to 50%.*
- Bromine {Chlorine} lasts longer: {2} {3}-4 weeks on a 350 gallon {spa} {hot tub} with average use.
- With minerals and low levels of bromine {or chlorine}, the water feels softer.
- The system reduces odors and leaves the water crystal clear.
- Frog Mineral System} {Technology} {Formula}+ works with bromine.}

{SPA FROG sanitizes your hot tub by creating Fresh Mineral Water[®] that's

- Cleaner because it kills bacteria two ways
- Clearer because it helps keep pH {in an acceptable range} {balanced}
- Softer because {minerals condition the water for softness} there's up to 50% less {chlorine} {bromine}
- Easier with prefilled cartridges for no mess, {no guess, no stress} {or measuring}}

You're going to love your Frog System. If you have any questions, contact our customer service representatives at **800-222-0169**.

* Compared to the minimum ANSI recommended bromine {or chlorine} level of 2.0 ppm for a {spa} {hot tub}.

{{spa} {Hot tub} Start Up} {Step One: Prepare the {Hot Tub} {Spa}}

1. Fill {spa} {hot tub} with fresh water. If using source water that is high in iron or other metals, see your dealer before filling the {spa} {hot tub}. It may require the use of a metal control product.
2. Clean and replace filter cartridges {when dirty} (*Follow manufacturer's instructions*).
3. Balance water by following steps a through d in order. **IMPORTANT:** Always follow printed instructions on the balancing chemical packages. Add balancing chemicals in small increments one at a time with the jets on and wait 6 hours before testing again and adding any additional balancing chemicals. .

Water Balance Guidelines	
pH:	7.2 – {7.6} {7.8}
Total Alkalinity:	80 – 120 ppm
Calcium Hardness:	150-250 ppm
Total Dissolved Solids:	<1500
*Free Bromine {or Chlorine}:	1.0 – 2.0 ppm

- a. Take a water sample from the {spa} {hot tub} and dip a FROG Test Strip into it.
- b. Look at the Total Alkalinity reading first. Adjustments should be made to bring the Total Alkalinity in the range of 80 – 120 ppm prior to making any adjustments to pH even if it throws pH off further.

- c. After Total Alkalinity is in range, test for pH. It should be between 7.2 and 7.8. If higher or lower, add a pH adjuster.
 - d. Lastly test for Calcium Hardness. It should be between 150 and 250 ppm. If higher, partially drain the {spa} {hot tub} (about 6 inches) and fill with water low in calcium. If lower, add Calcium Increaser.
4. {If balancing takes longer than 2 days shock the water and maintain a chlorine level while continuing balancing.} **Very Important!** {Before using cartridges,} Establish an initial residual of 1.0-2.0 ppm bromine or chlorine {with {either granular Brominating Concentrate™ (which typically contains 85% sodium dichlor (chlorine) and 15% sodium bromide) OR a chlorine shock} {a chlorine shock or sodium bromide product}}. {For best results use {Spa Shock – EPA Reg. #53735-12} {a start-up {spa} {hot tub} shock packet} that quickly dissolves with an effervescent {fizzing} action – one packet per 500 gallons.} {Do not use a non-chlorine shock.} {Use} {Confirm proper residual amount} {the appropriate bromine or chlorine test strips or kit and follow manufacturer’s instructions.} {Frog Brand Test Strips {to accurately maintain the reduced 1.0 to 2.0 ppm bromine level following the label directions carefully} {before employing SPA FROG Floating System.}} {Brominating Concentrate™ is a registered trademark of Bio-Lab, a Chemtura Company.}

Note: Bromine {or chlorine} levels are lower only when used with Frog minerals
 5. Heat water to the manufacturer’s recommended temperature {before using cartridges}.
 6. Begin {regular} {routine} {spa} {hot tub} care {procedures} (see back page) as soon as {start up is complete} {{spa} {hot tub} is prepared}.

{Setting} {Step Two: Set the} Cartridges

- The Spa FROG Floating System has two replaceable cartridges. The combination provides the Fresh Mineral Water benefits of cleaner, clearer and softer water that’s easier to take care of.
 - {insert color} = Mineral{s} {Cartridge}
 - {insert color} = Bromine {Cartridge}
- Set the {insert color} mineral cartridge to {wide open on} #6 (hold the bottom and turn the top until 6 appears in the setting window). No further adjustments are necessary for the life of this cartridge.
- {Set the {insert color} bromine cartridge to the setting that matches your {spa} {hot tub} size in gallons.} {With a freshly filled {spa} {hot tub}, initially set the {insert color} bromine cartridge on #5 for the first 24 hours **ONLY.**} {Then the first} {For one} week {or so, before each use,} test the water {daily} {with Frog Brand Test Strips} and adjust cartridge up or down by 1 setting per day until the {bromine stabilizes to at least 1.0 ppm.} {color on the test strip matches the ideal {Frog} bromine range of 1.0 to 2.0 ppm.}

{Using the Floating System} {Step Three: Put the System to Work}

- Insert both cartridges into the {insert color} floating holder by pushing them into the openings until they stay in place.
- Let the Floating System free-float in the {spa} {hot tub}.
- When using the {spa} {hot tub}, simply remove the Pool Frog Mineral Reservoir, drain {most of} the water into the {spa} {hot tub} and {set} {invert} on the side of the {spa} {hot tub} {inverted} so {all} excess water drains into {the} holder.
- REMEMBER TO {REPLACE IT IN THE WATER WHEN FINISHED USING {HOT TUB} {SPA}} {RETURN SPA FROG TO {HOT TUB} {SPA} WHEN YOU GET OUT}!

Replacing Cartridges

- A. {The Pool Frog Mineral Reservoir must be replaced every 4 months. After four months of use, or when draining and refilling the {spa} {hot tub} with fresh water, discard Pool Frog Mineral Reservoir in trash even if, upon shaking, it appears there is spent media left inside. Once wetted the time released minerals in the cartridge are effective up to four months. Do not attempt to reuse the product once removed from the {spa} {hot tub}. For ease in remembering to replace, mark your calendar with the reminder stickers provided with product.}

- A. {Replace {insert color} Mineral Cartridge every four months
 - o Discard it in the trash even if it appears to have media left inside
 - o Don't attempt to reuse: the minerals are spent after 4 months
 - o Use the enclosed stickers to remind you when it's time to replace}

- B. {Replace the bromine cartridge when empty. Drain water to ensure cartridge is empty then discard in trash {or offer for recycling}. The cartridge life will vary depending on {spa} {hot tub} size and number of users. Once your usage is determined, mark the calendar with enclosed reminder stickers.}

- B. {Replace {insert color} Bromine Cartridge when empty
 - o Life of cartridge varies depending on {spa} {hot tub} size and number of users
 - o Drain water from cartridge to ensure it is empty
 - o Discard in trash}

{Step Four: Routine} {Regular} {spa} {Hot tub} Care

- Drain and refill {spa} {hot tub} {as directed by your {spa} {hot tub} manufacturer} {or every four months when FROG minerals need to be replaced}.
 - Run filtration system as {manufacturer recommends} {recommended by your {spa} {hot tub} manufacturer}.
 - Regularly test water {with FROG Test Strips. Maintain} {for} pH, total alkalinity and calcium hardness levels {with the precise Frog Test Strips.}
- NOTE: Water balance is affected by bather load, chemical usage, evaporation and the makeup of source water so maintaining water balance regularly is important.
- Maintain at least 1.0 ppm bromine level at all times.

Note: Bromine or chlorine levels are lower only when used with FROG minerals

- Shock the {spa} {hot tub} once a week or as needed {with a non-chlorine shock. {Heavily used {spas} {hot tubs} may require more frequent shocking.}}
- {Additional shocking may be required if the {spa} {hot tub} is under heavy use. This is often the case when the {spa} {hot tub} is new.}
- {Remember to replace Pool Frog Mineral Reservoir and Spa Frog Bromine Cartridge as directed under "Replacing Cartridges".} {Replace mineral cartridge and bromine cartridges as directed.}

Troubleshooting

Cloudy Water or Low Bromine Levels

- o Check water balance. Ensure pH, Total Alkalinity and Calcium Hardness are correct.
- o Check Bromine Cartridge. If empty, replace following directions in Step Three.
- o Make sure your Mineral Cartridge is not older than 4 months as it will be ineffective and more bromine will be required to maintain the {spa} {hot tub} until you replace the minerals.
- o Shock the {spa} {hot tub} with a non-chlorine shock to regain clarity.

High Bromine Levels

- o Remove the system from the hot tub until the bromine level is down to 2.0 ppm.
- o Lower the Bromine Cartridge setting by 1 number and replace system in the {spa} {hot tub}.
- o Test in 24 hours. Repeat process until bromine level stays within 1.0 to 2.0 ppm.

Learn more at www.KingTechnology.com

[Operational Instructions 5 for Spa Cartridge used in In-Line System] [All text is optional]

In-Line System Operating Instructions

{Congratulations!}

Your {spa} {hot tub} came with a complete mineral and bromine {or chlorine} {sanitation} {disinfecting} {disinfection} system. When using the {patented} Pool Frog Mineral Reservoir with the {proprietary} Spa Frog Bromine Cartridge, you'll enjoy your {spa} {hot tub} more with less work and less bromine {or chlorine}.

Less Work Because:

- The Frog Mineral {System} {Technology} {Formula}+ continuously works to control bacteria for four full months.
- Cartridges last longer to eliminate daily maintenance.
- Cartridges are pre-filled for no measuring or mess.
- Simply adjust to your setting and relax for weeks.

Less Bromine {or Chlorine} Because:

- With minerals in the water, bromine {or chlorine} use is cut by up to 50%.*
- Bromine {Chlorine} last longer: {up to} {2} {3}-4 weeks on a 350 gallon {spa} {hot tub} with average use.
- With minerals and low levels of bromine {or chlorine}, the water feels softer.
- The system reduces odors and leaves the water crystal clear.
- Frog Mineral {System} {Technology} {Formula}+ works with bromine.

Simply set and insert into the bottom section of the In-Line System. Everything is prefilled and contained for no mess, no guess {and} no stress {spa} {hot tub} care.)

{SPA FROG sanitizes your hot tub by creating Fresh Mineral Water® that's

- Cleaner because it kills bacteria two ways
- Clearer because it helps keep pH { in an acceptable range} {balanced}
- Softer because {minerals condition the water for softness} there's up to 50% less {chlorine} {bromine}
- Easier with prefilled cartridges for no mess, {no guess, no stress} {or measuring}}

You're going to love your FROG System. If you have any questions, contact our customer service representatives at **800-222-0169**.

* Compared to the minimum ANSI recommended bromine {or chlorine} level of 2.0 ppm for a {spa} {hot tub}.

{Let Us Dissect This Frog For You:} The complete In-Line System

The In-Line System {is made up} {consists} of (A) a Frog cap {that is easily distinguishable among the fittings on the top {rim} {edge} of the {spa} {hot tub}}, (B) a cartridge holder that pulls out of the system, (C) a mineral cartridge {that helps control bacteria in the water} and (D) a bromine cartridge {that helps support the minerals while oxidizing contaminants like body oils. The cartridges are adjustable to meet your specific {spa} {hot tub} water care needs }



A. Frog Cap



King Tech



Frog Mineral Reservoir EPA Reg. No. 53735-11



Label Version **June6, 2016**

B. Cartridge Holder

C. Mineral Cartridge

D. Bromine Cartridge

Water Balance Guidelines

pH:	7.2-{7.6} {7.8}
Total Alkalinity:	80-120 ppm
Calcium Hardness:	150-250 ppm
Total Dissolved Solids:	<1500
*Free Bromine {or Chlorine}:	1.0-2.0 ppm

Cut-away view of cartridges snapped into holder and placed into the In-Line System



Start Up {Step One: Prepare the {Hot Tub} {Spa}}

{Follow all directions from your {spa} {hot tub} manufacturer on filling and balancing the water in your {spa} {hot tub}. Standard guidelines for balancing the water are as follows:}

1. Fill {spa} {hot tub} with fresh water. If using source water that is high in iron or other metals, see your dealer before filling the {spa} {hot tub}. It may require the use of a metal control product.
2. Clean and replace filter cartridges {when dirty} (*Follow manufacturer's instructions*).
3. Balance water by following steps a through d in order. **IMPORTANT:** Always follow printed instructions on the balancing chemical packages. Add balancing chemicals in small increments one at a time with the jets on and wait 6 hours before testing again and adding any additional balancing chemicals.
 - a. Take a water sample from the {spa} {hot tub} and dip a FROG Test Strip into it.
 - b. Look at the Total Alkalinity reading first. Adjustments should be made to bring the Total Alkalinity in the range of 80 – 120 ppm prior to making any adjustments to pH even if it throws pH off further.
 - c. After Total Alkalinity is in range, test for pH. It should be between 7.2 and 7.8. If higher or lower, add a pH adjuster.
 - d. Lastly test for Calcium Hardness. It should be between 150 and 250 ppm. If higher, partially drain the {spa} {hot tub} (about 6 inches) and fill with water low in calcium. If lower, add Calcium Increaser.

{If balancing takes longer than 2 days shock the water and maintain a chlorine level while continuing balancing.}

4. **Very Important!** {Shock {spa} {hot tub} to establish a 1.0-2.0 ppm bromine {or chlorine} residual. Add directly to {spa} {hot tub} following manufacturers' directions.} {Before using cartridges,} Establish an initial residual of 1.0-2.0 ppm bromine or chlorine {with {either granular Brominating Concentrate™ (which typically contains 85% sodium dichlor (chlorine) and 15% sodium bromide) {Frog Jump Start start-up shock {that came in this package} {a chlorine shock.} {a chlorine shock or sodium bromide product.} {For best results use Frog Jump Start.} {This} start-up {spa} {hot tub} shock packet {that} quickly dissolves with an effervescent {fizzing} action – one packet per 500 gallons} {Do not use a non-chlorine shock.}} Do NOT add through the In-Line System. {Use} {Confirm proper residual amount using} {the appropriate bromine or chlorine test strips or kit and follow manufacturer's instructions.} {FROG BrandTest Strips {that came in the package} {to accurately maintain the reduced 1.0 to 2.0 ppm bromine level following the label directions carefully} {before employing the SPA FROG Cartridges.}}

NOTE: Bromine {or chlorine} levels are lower only when used with Frog minerals

5. {Heat water to the manufacturer's recommended temperature.} {When {spa} {hot tub} reaches operating temperature per your {spa} {hot tub} manufacturer's directions, remove the shrink wrap from both cartridges. Set the mineral and bromine cartridges according to directions on page # and insert them into the System.}
6. Begin {routine} regular {spa} {hot tub} care {procedures} (see page #) as soon as {start-up is complete} {{spa} {hot tub} is prepared}.

{Adjusting and When to Replace Spa Frog Bromine Cartridge:} {Step Two: Set the Cartridges}

{As every {spa} {hot tub} is different, finding the right setting for the bromine cartridge will require monitoring your usage for the first week or two. Begin with an initial setting based on the chart {below} {on page #} and monitor bromine levels daily or before each use, adjusting the cartridge by one setting per day until a 1.0-2.0 ppm level has been achieved. {Use Frog Test Strips with the ideal Frog bromine range clearly marked on the label.} To adjust cartridge, remove from system and turn to the next highest setting if the bromine level is low, or the next lower setting if the bromine level is high. The bromine cartridge needs to be replaced when empty. Drain water to ensure empty then discard in trash. On most {spas} {hot tubs}, it will last between {2} {3} and 4 weeks. Always maintain at least 1.0 ppm bromine level.}

The SPA FROG In-Line System uses two replaceable cartridges.

- {Insert Color} = Mineral{s} {Cartridge}
- {Insert Color} = Bromine {Cartridge}

The combination provides the Fresh Mineral Water benefits of cleaner, clearer and softer water that's easier to take care of. Remove the shrink wrap from both cartridges before proceeding.

- o Set the {insert color} Mineral Cartridge to #6 (hold the bottom and turn the top until 6 appears in the window). No further adjustments are necessary for the life of the cartridge.
- o Set the {insert color} Bromine Cartridge to the setting that matches your {spa} {hot tub} size in gallons {and pump run time per day}. For one week test the water daily with FROG Test Strips and adjust cartridge up or down by 1 setting per day until the {bromine stabilizes between 1.0 and 2.0 ppm} {color on the test strip matches the ideal FROG bromine range of 1.0 to 2.0 ppm}.

INITIAL START-UP SETTING [Setting Chart Option #1]

	{Spa} {Hot Tub} Size (Gallons)			
Daily Filter Time	250-300	300-400	400-500	500-600
One Hour	2	3	4	#
Two Hours	2	2	3	#
Four Hours	1	2	2	#
24 hour @ low flow	1	2	2	#

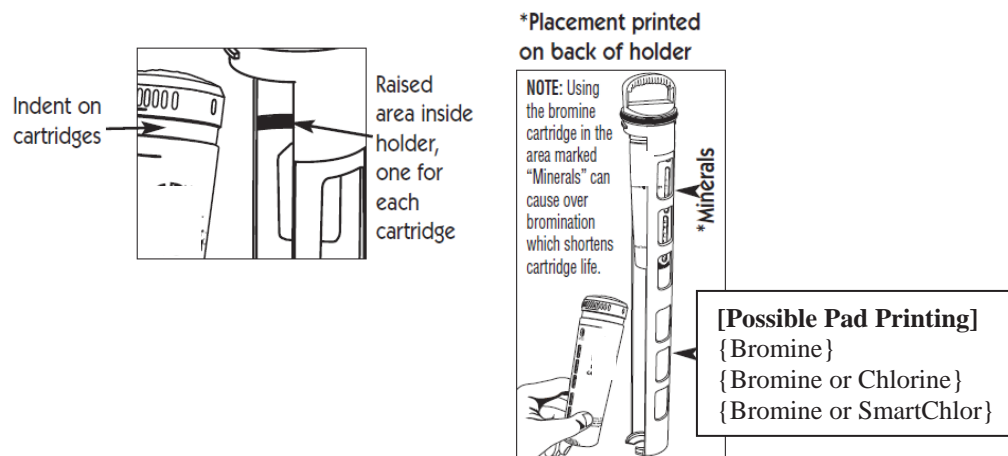
[Setting Chart Option #2]

System Setting Chart	
200 Gallons	#
{250 Gallons}	#
{300 Gallons}	#
{350 Gallons}	#
{400 Gallons}	#
{450 Gallons}	#
{500 Gallons}	#
600 Gallons	#

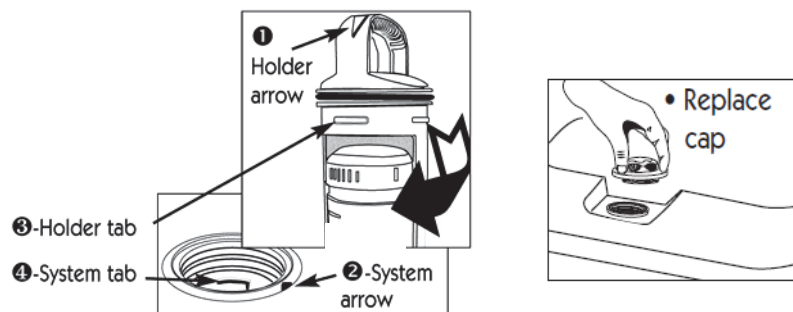
NOTE: The more you use the {spa} {hot tub}, for instance when you first {get it} {own it}, the greater the setting to achieve at least 1.0 ppm. (This may require a higher setting than what is listed in the chart.) If usage decreases or the bromine level is greater than 2.0 ppm, lower the setting.

Step Three: Put the System To Work

- Open cap of In-Line System and set aside. DO NOT OPEN CAP WHILE JETS ARE ON.
- Remove holder by pushing down and turning counterclockwise before pulling out.
- {Remove spent cartridges by pushing bottom out through openings in back of holder. Then grab cartridge and pull out.}
- Snap the Pool Frog Mineral Reservoir into the area marked “Minerals” (top portion) and the Spa Frog Bromine Cartridge into the area marked {“Bromine”} {or Chlorine”} {or SmartChlor”} (bottom portion) making sure to line up the indentation at the top of the cartridges with the raised area on the holder.



- Slowly insert holder into system. Line up holder arrow-① with system arrow-②. Push down until holder tabs-③ go past system tabs-④ and turn holder to the right (clockwise) until it stops. To ensure a locked position, attempt to pull holder up. If it stays in place, the lock is secure.



{Adjusting and When to Replace Pool Frog Mineral Reservoir:

- Set the {color} Pool Frog Mineral Reservoir wide open on #6 by holding the bottom and turning the top until the number 6 appears in the setting window. No further adjustments are necessary}

Replacing Cartridges

- {The Pool Frog Mineral Reservoir must be replaced every 4 months. After four months of use, or when draining and refilling the {spa} {hot tub} with fresh water, discard Pool Frog Mineral Reservoir in trash even if, upon shaking, it appears there is spent media left inside. Once wetted the time released minerals in the cartridge are effective up to four months. Do not attempt to reuse the product once removed from the {spa} {hot tub}. {For ease in remembering, mark your

calendar with the Reminder Stickers included with this manual.) {See {spa} {hot tub} manufacturer's draining recommendations.}}

- {Replace {insert color} Mineral Cartridge every four months
 - Discard it in the trash even if it appears to have media left inside
 - Don't attempt to reuse: the minerals are spent after 4 months
 - Use the enclosed stickers to remind you when it's time to replace}
- {Replace {insert color} Bromine Cartridge when empty
 - Life of cartridge varies depending on {spa} {hot tub} size and number of users
 - Drain water from cartridge to ensure it is empty
 - Discard in trash}

77

{Step Four: Routine} {Regular} {Spa} {Hot Tub} Care {Procedures}:

Always follow the directions for operating your particular {spa} {hot tub}.

- Drain and refill {spa} {hot tub} {as directed by your {spa} {hot tub} manufacturer} {or every four months when FROG minerals need to be replaced}.
 - Run filtration system as {manufacturer recommends} {directed by your {spa} {hot tub} manufacturer} {to maintain proper water flow through the In-Line System {or at least 3 hours per day}}.
 - {Regularly} {Periodically} {Weekly} test water {with FROG Test Strips. Maintain} {to maintain} {for} pH, total alkalinity {and calcium hardness} levels {with the precise FROG Test Strips that include special instructions for using with Frog products}.
- NOTE: Water balance is affected by bather load, chemicals used, evaporation and the make-up of your source water so maintaining water balance regularly is important.
- {Maintain at least 1.0 ppm bromine {or chlorine} level at all times.}
- NOTE: Bromine {or chlorine} levels are lower only when used with Frog minerals
- Shock the {spa} {hot tub} with {granular chlorine or} {a non-chlorine shock} {once a week or as needed}. {Additional shocking may be required if the {spa} {hot tub} is under heavy use. This is often the case when the {spa} {hot tub} is new.} {Heavily used {spas} {hot tubs} may require more frequent shocking.}
 - {Remember to replace your Pool Frog Mineral Reservoir and Spa Frog Bromine Cartridges as directed under "Adjusting and When to Replace".} {Replace mineral cartridge and bromine cartridges as directed.}
 - Lubricate o-ring twice a year with a silicone lubricant.

Troubleshooting

Cloudy Water or Low Bromine Levels

- Check water balance. Ensure pH, Total Alkalinity and Calcium Hardness are correct.
- Check Bromine Cartridge. If empty, replace following directions in Step Three.
- Make sure your Mineral Cartridge is not older than 4 months as it will be ineffective and more bromine will be required to maintain the tub until you replace the minerals.
- Shock the {spa} {hot tub} with a non-chlorine shock to regain clarity.

High Bromine Levels

- Remove the Bromine Cartridge from the In-Line System until the bromine level is down to 2.0 ppm.
- Lower the Bromine Cartridge setting by 1 number and replace in the In-Line System.
- Test in 24 hours. Repeat process until bromine level stays within 1.0 to 2.0 ppm.

Learn more at www.KingTechnology.com

[Operational Instructions 6 for Filter Spa Product]
[All text is optional]

Operation Manual For Use in Filter Core

Specifications

- Fits in most filters.
- Handles {spas} {hot tubs} up to 600 gallons.
- Lasts 4 months.
- {Easy to set reminder dial for product replacement.}
- Use with bromine or chlorine.

{Spa} {Hot Tub} Start Up

1. Fill {spa}{hot tub} with fresh water. If using source water that is high in iron or other metals, see your dealer before filling the {spa} {hot tub}. It may require the use of a metal control product.
2. Clean or replace filter cartridge when dirty (*Follow manufacturer's directions*).
3. Balance water . by following steps a through d in order. **IMPORTANT:** Always follow printed instructions on the balancing chemical packages. Add balancing chemicals in small increments one at a time with the jets on and wait 6 hours before testing again and adding any additional balancing chemicals.

Water Balance Guidelines

pH:	7.2 – {7.6} {7.8}
Total Alkalinity:	80 – 120 ppm
Calcium Hardness:	150-250 ppm
Total Dissolved Solids:	<1500
*Free Bromine {or Chlorine}:	1.0 – 2.0 ppm

- a. Take a water sample from the {spa} {hot tub} and dip a FROG Test Strip into it.
- b. Look at the Total Alkalinity reading first. Adjustments should be made to bring the Total Alkalinity in the range of 80 – 120 ppm prior to making any adjustments to pH even if it throws pH off further.
- c. After Total Alkalinity is in range, test for pH. It should be between 7.2 and 7.8. If higher or lower, add a pH adjuster.
- d. Lastly test for Calcium Hardness. It should be between 150 and 250 ppm. If higher, partially drain the {spa} {hot tub} (about 6 inches) and fill with water low in calcium. If lower, add Calcium Increaser.

{If balancing takes longer than 2 days shock the water and maintain a chlorine level while continuing balancing.}

4. Shock {spa} {hot tub} to establish a bromine or chlorine residual of 1.0-2.0 ppm with {an EPA approved {spa} {hot tub} shock} {or by other means} {a {spa} {hot tub} start-up shock packet}. For best results use FROG Jump Start start-up {spa} {hot tub} shock packet {that} quickly dissolves with an effervescent {fizzing} action – one packet per 500 gallons} (*Follow manufacturer's directions*).
5. Heat water to the manufacturer's recommended temperature.
6. Begin {Routine} {Regular} {Spa} {Hot Tub} Care procedure on back page.

Note: Bromine {or chlorine} levels are lower only when used with the Frog Mineral {System} {Technology} {Formula}+

Installing Pool Frog Mineral Reservoir

- {Set reminder dial on Pool Frog Mineral Reservoir to 4 months from month of installation. Turn dial by hand or with a coin if needed.} {Mark your calendar with enclosed reminder sticker for the 4 month replacement date.}
- Place Pool Frog Mineral Reservoir in one of the following locations in {spa} {hot tub}:

- a) **Majority of {Spas} {Hot Tubs}** – Insert Pool Frog Mineral Reservoir inside filter cartridge core (**Diagram A**). Do not allow Pool Frog Mineral Reservoir to sit too low in the filter. If blocking water flow install in filter well (**Diagram B**). If Pool Frog Mineral Reservoir is inside a standpipe, attach a string to the {handle on top} {Frog head handle} for easy removal.
- b) **High Flow {Spas} {Hot Tubs}** – On skimmer filters with 2.5 HP or larger pump motors, place Pool Frog Mineral Reservoir in filter well outside the filter cartridge (**Diagram B**).
- c) **Small Cartridge or Other {Spas} {Hot Tubs}** – Place Pool Frog Mineral Reservoir in skimmer tray (**Diagram C**).

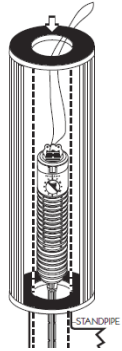


Diagram A

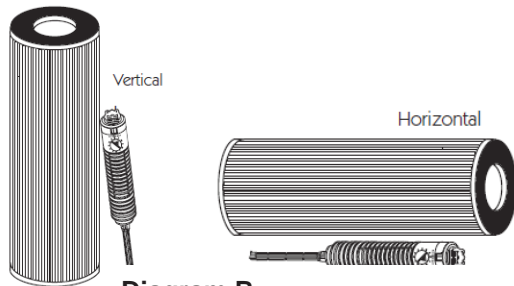


Diagram B –
High Flow Spas {Hot Tubs}

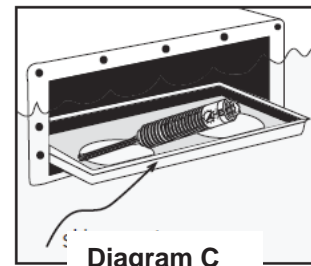


Diagram C

If unit is too tall, cut rod at hash marks to shorten.

Regular {Spa} {Hot Tub} Care

- Drain and refill {spa} {hot tub} {as directed by your {spa} {hot tub} manufacturer} {or every four months when FROG minerals need to be replaced}.
 - Ensure all {spa} {hot tub} equipment is working properly.
 - Run filtration system a minimum of three hours per day.
 - Regularly test water for pH, total alkalinity and bromine {or chlorine} levels.
 - Maintain at least a 1.0 ppm bromine {or chlorine} level at all times.
 - Shock the {spa} {hot tub} once a week or as needed. Additional shocking may be required if the {spa} {hot tub} is under heavy use. This is often the case when the {spa} {hot tub} is new.
 - The Pool Frog Mineral Reservoir must be replaced every 4 months. After four months of use or when draining and refilling the {spa} {hot tub} with fresh water, discard Pool Frog Mineral Reservoir in trash even if, upon shaking, it appears there is spent media left inside. Once wetted the time released minerals in the cartridge are effective up to four months. Non-refillable container. Do not reuse or refill this product. Do not attempt to reuse the product once removed from the {spa} {hot tub}.
- {Set for 4 mos.}

Troubleshooting

Most issues are caused by improper water balance or sanitizer levels. If water is cloudy:

- Check water balance. Ensure pH, Total Alkalinity and Calcium Hardness are correct.
- Make sure your chlorine or bromine levels are at least 1.0-2.0 ppm.
- Make sure your Filter FROG is not older than 4 months as it will be ineffective and more bromine/chlorine will be required to maintain the {spa} {hot tub} until you replace the minerals.
- Shock the {spa} {hot tub} with a non-chlorine shock to regain clarity.

Learn more at www.KingTechnology.com

[Operational Instructions 7 for Floating Pool Cartridge]

[All text is optional]

FROG Mineral System Operation Manual

This is not a toy. For sanitizing {pop-up} {soft sided} {Intex style} pools {or swim spas} only!
{Tether to pool with enclosed cord.} {If using in a swim spa, allow to free float in the water.}

{Welcome to {pool} {water} care courtesy of FROG. The FROG {Mineral {Water} System+}
{Mineral Sanitizing Pool Care System} {pool care with sanitizing minerals} {sanitizing mineral
pool care} {will help} destroy{s} bacteria to keep your pool {or swim spa} clean with less work
and up to 50% less chlorine.* It is super easy to use and will keep you enjoying a clean,
clear swimming pool [or swim spa] for weeks at a time. Here's all you do:}

{The FROG Mineral Reservoir is {part of} a complete {pool} {water} care system for {pop-up} {soft
sided} {Intex style} pools {or swim spas} up to {1,000} {5,000} {10,000} gallons. It {uses}
{utilizes} {the} {our} {patented} mineral formula {in the top cartridge} {of the FROG Mineral
Reservoir} with {low{er}} {reduced} levels of chlorine from the {bottom} chlorine cartridge to
destroy bacteria, help maintain pH and restore water clarity. Simply {connect,} {turn} {twist} to
set {the dial} and {toss into} {tether to} {plop in} the pool {or swim spa}. Everything is prefilled
and contained {{for} no mess, no guess {and} no stress {pool care.}} {The best part is it flips
over when {empty} {out} {it's time to replace} {a} {the} {chlorine} cartridge.} {Hey! Less Work
Hey! Less Chlorine Hey! Less Money}

Register your FROG Mineral Reservoir at kingtechnology.com

{Pool} {Start-up} {Step One: Preparing the Pool}

1. {Use test strips or a test kit to} balance your water according to the water balance guidelines. The Frog Mineral Reservoir {System} controls {maintains} the free chlorine level {only.} pH is affected by weather and the make-up of your source water. For help in balancing follow steps a through e in order. **IMPORTANT:** Always follow printed instructions on the balancing chemical packages. Add balancing chemicals in small increments one at a time with circulation running and wait 8-12 hours before testing again and adding any additional balancing chemicals.
 - a. Take a water sample from the pool and dip a FROG Test Strip into it.
 - b. Look at the Total Alkalinity reading first. Adjustments should be made to bring the Total Alkalinity in the range of 80 – 120 ppm prior to making any adjustments to pH even if it throws pH off further.
 - c. After Total Alkalinity is in range, test for pH. It should be between 7.2 and 7.8. If higher or lower, add a pH adjuster.
 - d. Then test for Calcium Hardness. It should be between 200 and 400 ppm. If higher, partially drain the pool and refill with water low in calcium. If lower, add Calcium Increaser.
 - e. Lastly test for stabilizer or conditioner levels. Add conditioner if the level is below 20 ppm. This will prevent chlorine burn off.

{If balancing takes longer than 2 days shock the water and maintain a chlorine level while continuing balancing.}

WATER BALANCE GUIDELINES	
pH	7.2-7.8
Total Alkalinity	80-120 ppm
{Calcium Hardness	200-400 ppm}
{Total Dissolved Solids	<1500}
Stabilizer (Cyanuric Acid)/Conditioner	20-80 ppm
Free Chlorine	0.5-1.0 ppm

2. Shock pool to remove contaminants (follow manufacturer's directions).
3. Remove {the} {outer} packaging from both the mineral and chlorine {halves} {hemispheres} {cartridges} {pacs} {pieces} {sections} of the FROG Mineral System. NOTE: Small mineral particles may have dislodged from the cartridge in shipping. Simply discard {particles} in trash. Bring the two {halves} {cartridges} together and line up the {arrows} {alignment marks} {tick marks} {icons} {water drops} {snaps} {arrow on the chlorine cartridge with the {unlock symbol} {catches} on the mineral cartridge}. {Push together and twist {the bottom cartridge x degrees} to {lock} {the lock {symbol} {position}}}. {Rotate the two cartridges until you hear the {safety} {locking} tab click into place.} {Do not twist past setting #x or damage to the product could result.} {Align the bottom {chlorine} cartridge with {marks} {arrows} {symbols} {tab guides} on the top {mineral} cartridge. Push in until you hear {it {click} {snap} into place} {the tab guides engage}.} {Line up the {features} {snaps} {marks} {tab guides} on the two cartridges and push together until you hear the cartridge click into place.}


{If using the {algaecide} {clarifier} {scent} {shock} pac, attach {to} {complete system} {mineral cartridge} {between the mineral and chlorine cartridges}. Follow the instructions on that product for proper use.}

{Setting the FROG Mineral System}

4. {Twist the mineral {half} {hemisphere} {replacement} {cartridge} {pac} opposite of the chlorine {half} {hemisphere} {replacement} {cartridge} {pac} until the setting number for your pool {or swim spa} size is lined up with the {arrow} {alignment mark} {tick mark} {icon} {water drop} {on the chlorine cartridge} (see chart below).} {Twist the dial on the {bottom} {chlorine} cartridge to the setting {number} for your pool {or swim spa} size (see chart).} {Start with the {factory} {middle} {center} {medium} setting. If you find less chlorine is needed turn the dial to {the} {a} lower setting –if more is needed turn it to {the} {a} higher setting.} Even at the lowest setting {of 0} there will be some chlorine released into the pool.
 5. {Then simply toss it into the pool or swim spa. {For pools, tether it to the pool {side} {frame} {or ladder} {with the cord provided.} away from the skimmer or a return jet.} {Use {the enclosed cord} {a string} tied to the {loop} {hole} in the product.} {For swim spas, allow the system to free float in the water.}
- [graphic callouts:] {insert color} mineral cartridge, {insert color} chlorine cartridge, Setting {#} on mineral cartridge, Twist {mineral opposite of chlorine} {dial on bottom of chlorine cartridge}
6. Test the water periodically and {adjust the setting until the chlorine level is} maintain{ed} at {least a} 0.5 ppm to 1.0 ppm {chlorine level}. Use the precise FROG {Brand} Test Strips to help measure the ideal chlorine range when used with FROG minerals. {Based on average pool usage,} chlorine will last {on average} {about} {up to} {4-6 weeks for pools up to {3000} {4000} gallons or} {{2} {3}-4 weeks for pools up to {5000} {6000} {10,000} gallons,} {3-4 weeks} {several weeks on an average swim spa} {except during times of hot} {depending on the water temperature{s} and {heavy} pool {or swim spa} use.

{Pool Frog Mineral Reservoir} Initial Setting Chart {For {2000} {5000} to {5000} {10,000} Gallons}					
Diameter	Pool {or Swim spa} Gallon Size} {Gallons}	Setting #	Diameter	Pool Gallon Size} {Gallons}	Setting #
8-10'	{1000}	#	18'	{5000}	{Low} {Less} {Small Pool}
10'	{1500}	#	18'	{5500}	{Low} {Less} {Small Pool}
12'	{2000}	#	18'	{6000}	{#} {Medium}
12'	{2500}	#	18'	{6500}	{#} {Medium}

15'	{3000}	#	20'	{7000}	{#}{Medium}
15'	{3500}	#	20'	{8000}	{#} {High} {More} {Large Pool}
15'-16'	{4000}	#	21'	{9000}	{#} {High} {More} {Large Pool}
15'-16'	{4500}	#	21'	{10,000}	{#} {High} {More} {Large Pool}

 {Most common pool size} {For example, pools 15' in diameter or 4000 gallons would use setting x}
NOTE: {See the information that came with your pool or} calculate pool gallons by multiplying diameter x diameter x water height x 5.9 or visit our pool volume calculator at kingtechnology.com. {Swim spa users should check with the manufacturer for gallon sizes.}

Replacing the Chlorine {Brand} {Half} {Hemisphere} {Replacement} {Cartridge} {Pac} {Recharge}

When the product is almost empty it will {begin to} slowly {flip} {roll} over giving you {a day or two} notice that it's about time to replace. If it stays on its side longer than a day or two, pull unit out of the water and let it drain. Reset it in the water to see if it flips completely. {If it does} {When it completely {flips} {rolls} over} replace by {rotating the two {halves} {hemispheres} {cartridges} {pacs} {pieces} {sections} until the {arrows} {alignment marks} {tick marks} {icons} {water drops} align along the edge of both {halves} {cartridges} and pull apart} {arrow on the chlorine cartridge aligns with the unlock symbol on the mineral cartridge and pull apart}. {To remove the {bottom} {chlorine} cartridge, release the {safety} {locking} tab by pulling or pushing the release with your finger.} {To release the {bottom} {chlorine} cartridge, squeeze the tabs and pull the empty cartridge out.} Follow the start-up procedures {above for attaching a filled chlorine {brand} {half} {hemisphere} {replacement} {cartridge} {pac} {recharge}}.

Do not remove the chlorine cartridge until the system has completely flipped. If the chlorine {half} {hemisphere} {replacement} {cartridge} {pac} {recharge} {still} contains a small amount of chlorine after the system has {flipped} {rolled} over, {place in pool {or swim spa} to float by itself} {hang on the tether via the {hook} {loop} on the side of the almost empty chlorine cartridge} {until completely empty}. Do not allow chlorine cartridge to sink to the bottom or pool{/swim spa} bleaching may occur. When completely empty, discard in trash {or offer for recycling}.

Regular Pool Care

1. {For pools,} Run pump and filter at least 8 hours per day {but ideally 24 hours per day}. {Swim spas should run their circulation per the swim spa manufacturer.} Clean or replace your filter cartridge weekly. Lack of circulation may cause bleaching of pool {or swim spa} surface and improper sanitization levels.
2. {Regularly} Skim the surface of any debris and remove {anything} {debris} collected on the return fitting to your pump {or the main drain of the swim spa}.
3. Regularly test water for pH, total alkalinity and chlorine levels. Adjust your pH when it rains or when adding fresh water to the pool {or swim spa}. Maintain {a} {at least} 0.5 to 1.0 ppm chlorine level at all times.
4. Replace {the} chlorine {cartridge} when {the FROG Mineral System completely} {flips} {flipped} {rolls} over.
5. Shock the pool {at least} {weekly in the heat of the season and} {at least weekly when the pool {or swim spa} is being used often and every few days when the water temperature is 90 degrees or more} {as needed} to maintain water clarity. Follow label directions on the shock treatment used.
6. Replace the complete Frog Mineral {Reservoir} {System} every 6 months or after one pool season whichever is shorter. If the pool is drained and refilled prior to six months {or one pool season}, Pool Frog Mineral Reservoir must be replaced at that time.

NOTE: This product may be removed from the pool when in use {or if the pool has over chlorinated.} Lift out of the water and let drain into the pool. Then hang over the outside of the pool {on {the cord provided} {a string}} or place on the ground or surface that is not susceptible to bleaching from the chlorine. {For swim spas, this product MUST be removed from the water when in use due to high jet

action that could deplete the chlorine cartridge prematurely.} Remember to replace the product once exiting the pool {or swim spa} {or when the chlorine levels return to normal.}

Troubleshooting

Cloudy Water or Low Chlorine Levels

- Check water balance. Ensure pH, Total Alkalinity, Calcium Hardness and Stabilizer levels are correct.
- Check chlorine cartridge. If empty, replace following directions on the label.
- Make sure your Mineral Cartridge is not older than 6 months as it will be ineffective and more chlorine will be required to maintain the pool until you replace the minerals.
- Shock the pool {with a chlorine or non-chlorine shock} to regain clarity.

High Chlorine Levels

- Remove the FROG System from the pool until the chlorine level is down to 1.0 ppm.
- Lower the dial setting on the FROG System by 1 number and replace in the pool.
- Test in 24 hours. Repeat process until chlorine level stays within 0.5 to 1.0 ppm.

Algae

- Use an algaecide following manufacturer's directions carefully. This may involve more than one dose.
- Run circulation 24 hours a day and brush the sides of the pool often
- When clarity starts to return shock the pool

Learn more at www.KingTechnology.com

[Operational Instructions 8 for Cartridge for Bulk Chlorinator]

[All text is optional]

FROG Mineral System Operation Manual

Welcome to pool care courtesy of FROG. The FROG Mineral System+ will destroy bacteria to keep your pool clean with less work and up to 50% less chlorine.* It is super easy to use because it fits inside your current {Hayward®} {Rainbow®} {or equivalent} chlorinator. You simply enjoy a clean, clear swimming pool without touching or counting chlorine {tablets} {pucks} again. Here's all you do:

Swimming Pool Tips

1. Make sure the pool has adequate circulation. The pool water must completely circulate through the pump and filter at least 1 to 2 times per day. This usually requires 8 to 12 hours. Check with your dealer for the proper circulation time for your pool.
2. Before beginning with any pool care program, you must first balance your pool water. Take a water sample to your local pool professional {or use a complete test kit} that will test for the following important elements.

Water Balance Guidelines

pH:	7.2-7.8
Total Alkalinity:	80-120 ppm
Calcium Hardness:	200-400 ppm
Total Dissolved Solids:	<1500
Stabilizer/Conditioner:	20-80 ppm
Free Chlorine:	0.5-1.0 ppm

3. If your fill water is high in metals, use a sequestering agent or metal out product at start up only before using the mineral reservoir. See your local dealer for details on using these products and always follow manufacturer's directions carefully.
4. After your pool is up and running smoothly, continue to test your water for pH, total alkalinity and chlorine {with FROG Brand Test Strips} and maintain its balance by adding any necessary adjustment products (see you dealer for details).
5. Check the pool's filter gauge often and periodically clean filter per the manufacturer's directions. A dirty filter will slow the flow of water which could hamper proper circulation.

{How to replace the Pool Frog components}

{Replacing} {Using} a Pool Frog Mineral Reservoir and Chlorine Pac

1. Check the {top} {front} of the box {and {back} label of product} to make sure you have the correct Pool Frog Mineral Reservoir to fit your {Hayward®} {Rainbow®} chlorinator.

THE POOL FROG MINERAL RESERVOIR MUST BE REPLACED EVERY 6 MONTHS OR AFTER ONE POOL SEASON WHICHEVER IS SHORTER.

2. Remove the material covering the holes on the bottom {and side} of {remove the plug from the side of} the Chlorine Pac.

3. {If using Algaecide Pac. {push} {screw} {affix} {insert} algaecide {pac} {container} {bottle} {on} {in} to the {chlorinator} {adapter that attaches to the} {Pool Frog Mineral Reservoir} {while inside the chlorinator} {then insert into chlorinator}. Replace cap, turn dial full open and run for 90 minutes. Remove algaecide {pac} {container} {bottle} and discard or recycle.}
4. Connect the Pool Frog Mineral Reservoir to the Chlorine Pac by bringing the two together, lining up the arrows and turning the chlorine pac clockwise to lock.
5. Turn off pump, turn chlorinator dial closed or off and open the cap.
6. {Lift up} {Use} the handle {and} {to} lower the complete system into the {Hayward®} {Rainbow®} chlorinator by lining up the square channel on the side of the Pool Frog Mineral Reservoir and Chlorine Pac with the dial side of the {Hayward®} {Rainbow®} chlorinator.
7. Replace the chlorinator cap. If the system is not seated properly the cap will not close. Pull up, check alignment and re-lower into chlorinator.

Channel in Pool Frog Mineral Reservoir
Dial side of {Hayward®} {Rainbow®} chlorinator

Replacing the Chlorine Pac

Chlorine Pacs will help ensure a reduction of up to 50%* in chlorine use. *Pacs sold separately.* (EPA Reg. No. 53735-2)

**Compared to the minimum EPA recommended chlorine level of 1.0 ppm for a stabilized swimming pool.*

Avoid sparks, open flame or smoking when handling the pac.

1. When the chlorine pac is empty remove the entire {system} {product} from the chlorinator. Turn the chlorine pac counter clockwise to unlock it from the Pool Frog Mineral Reservoir. Simply connect a new Chlorine Pac by lining up the arrows and turning the chlorine pac clockwise until it locks.
Alignment arrows
Turn clockwise
2. {Lift up} {Use} the handle {and} {or} lower the complete system into the {Hayward®} {Rainbow®} chlorinator by lining up the square channel on the side of the Pool Frog Mineral Reservoir and Chlorine Pac with the dial side of the {Hayward®} {Rainbow®} chlorinator.

The chlorine pacs are made of HDPE plastic. Non-refillable container. Do not reuse or refill this container. Offer for recycling if available. Rinse thoroughly before recycling or discarding in trash.

Mark your calendar for the six month replacement of the Pool Frog Mineral Reservoir and approximate replacement times for the Chlorine Pacs. Once wetted, the time released mineral coating of this product is effective up to 6 consecutive months or one pool season whichever is shorter. After that time, even if you hear the spent media inside, it is no longer effective and must be replaced.

Start-up and Operation

1. Add a stabilizer or conditioner to the pool at the beginning of the season if the stabilizer level is below 20 ppm. This will prevent chlorine burn off. Follow manufacturer's directions carefully.

2. {Shock the pool with {an EPA registered chlorine shock} {a shock pac} to rid the water of all contaminants before beginning. Follow manufacturer's directions carefully.}

Do not add shock in or near the skimmer or into the chlorinator as it could damage equipment, risk potential explosion or discolor your pool surface.

THIS STEP IS VERY IMPORTANT TO START-UP. USE CHLORINE SHOCK ONLY.

3. {If using the Algaecide {pac} {container} {bottle}, follow the directions for use on that product now.}
4. Install Pool Frog Mineral Reservoir and Chlorine Pac into the {Hayward®} {Rainbow®} chlorinator. See page 1 for directions.

REPLACE THE POOL FROG MINERAL RESERVOIR EVERY 6 MONTHS OR AFTER ONE POOL SEASON WHICHEVER IS SHORTER.

5. **SETTING CONTROL DIAL** Set control dial by matching up the parameters of your pool on the charts below. THIS IS A STARTING POINT ONLY and may need to be adjusted to fit your individual pool needs. See # {x} for directions.

Initial Setting Chart	
Pool Gallon Size	Setting #
10,000	#
15,000	#
20,000	#
25,000	#
30,000	#
35,000	#
40,000	#

6. For the first week test the pool water daily for free chlorine {with Frog Brand Test Strips} to ensure correct dial setting. Continue to test weekly throughout the season. After testing, adjust the dial up by ½ increment if the free chlorine reading has dropped below 0.5 ppm or down by ½ increment if the reading has risen above 1.0 ppm. Continue this process each day until the {reading stabilizes to at least 0.5 ppm.} {color on the test strip matches the ideal Frog range of 0.5 ppm to 1.0 ppm free available chlorine (FAC).} Remember to adjust dial by ½ increments only, in order to prevent over chlorination which may bleach pool surfaces.
7. Shock pool every two weeks or as needed to maintain water quality. Follow label directions on the chlorine shock treatment used.

Hayward® is a registered trademark of Hayward Industries Inc.
Rainbow® is a registered trademark of Pentair Inc.

[Operational Instructions 9 for {Spa} {Hot Tub} Floating/Flipping System for use with the SPA CHLORINE DISINFECTANT EPA Reg. No. 537325-14]

[All text is optional]

Floating {Sanitizing} System {Operation} Instructions

This is not a toy. For {sanitizing} {disinfecting} {spas} {hot tubs} only!

{Welcome to Fresh Mineral Water with Smart Chlor technology courtesy of Frog. This {spa} {hot tub} water care system destroys bacteria to keep your {spa} {hot tub} clean with less work and up to 75% less chlorine.* There are two cartridges – the top one holds our {patented} mineral formula while the bottom one has a {new} {different} kind of chlorine that is smart about when it's needed and when it's not. Its revolutionary formula creates a bank of chlorine that is {equivalent to} {detected as} {read as} {measured as} a total chlorine reading on a test strip. Over time, this bank automatically converts to {active} {free} chlorine when needed to take care of the bacteria and contaminants in the water. The {active} {free} level stays at a low 0.5 ppm which is tailor made for use with Frog minerals that reduce chlorine use up to 75%*.

Simply {connect} {the two cartridges}, {turn} {twist} the dial to set and {toss into} {plop in} the {spa} {hot tub}. Everything is pre-filled and contained for no mess, no guess {and} no stress {spa} {hot tub} care. The best part is it flips over when {empty} {out} {it's time to replace {a} {the} {chlorine} cartridge}.

{@ease is the hot tub sanitizing system that takes the guess work out of water so you always feel at ease while enjoying your hot tub.

- @ease creates Fresh Mineral Water that's cleaner, clearer and softer
- @ease employs SmartChlor Technology that knows when and how much free chlorine is needed so it uses less.
- @ease flips over when it's time to replace the SmartChlor Cartridge
- @ease requires far less shocking – only once a month!}

You're going to love your System. If you have any questions, contact our customer service representatives at **800-222-0169**.

* Compared to the minimum ANSI recommended chlorine level of 2.0 ppm for a {spa} {hot tub}.

Register your Floating System at KingTechnology.com

{Step One: Prepare the {Spa} {Hot Tub} {Start Up}

1. Fill {spa} {hot tub} with fresh water. If using source water that is high in iron or other metals, see your dealer before filling the {spa} {hot tub}. It may require the use of a metal control product. If previously using bromine {and switching to SmartChlor}, you must drain and refill {your {spa} {hot tub}} {before using this product} {first}. {If previously using dichlor you may convert to SmartChlor without having to drain the {spa} {hot tub}.}
2. Clean and replace filter cartridges when dirty (*Follow manufacturer's instructions*).
3. {Use Test Strips {included in the package} or a test kit to balance your pH, Total Alkalinity and Calcium Hardness {water} according to the water balance guidelines. {Once the System is in the water, it will maintain the free chlorine level.} {This {spa} {hot tub} system will {control} {maintain} the free chlorine level.} pH is affected by {weather} bather load, chemical usage, evaporation and the make-up of your source water.}
3. [Alternate #3] Balance water following steps a through d in order. **IMPORTANT:** Always follow printed instructions on the balancing

Water Balance Guidelines

pH:	7.2 – {7.6} {7.8}
Total Alkalinity:	80 – 120 ppm
Calcium Hardness:	150-250 ppm
Total Dissolved Solids:	<1500
*Free Chlorine:	0.5 – 1.0 ppm

chemical packages. Add balancing chemicals in small increments one at a time with the jets on and wait 6 hours before testing again and adding any additional balancing chemicals.

- a. Take a water sample from the {spa} {hot tub} and dip a FROG Test Strip into it.
- b. Look at the Total Alkalinity reading first. Adjustments should be made to bring the Total Alkalinity in the range of 80 – 120 ppm prior to making any adjustments to pH even if it throws pH off further.
- c. After Total Alkalinity is in range, test for pH. It should be between 7.2 and 7.8. If higher or lower, add a pH adjuster.
- d. Lastly test for Calcium Hardness. It should be between 150 and 250 ppm. If higher, partially drain the {spa} {hot tub} (about 6 inches) and fill with water low in calcium. If lower, add Calcium Increaser.

{If balancing takes longer than 2 days shock the water and maintain a chlorine level while continuing balancing.}

4.

4. **Very Important!** Before using cartridges, {establish} {ensure there is} an initial residual of 0.5-1.0 ppm free chlorine {with Frog Jump Start start-up shock {included in this package}} {a chlorine shock}. {{For best results use Frog Jump Start} {This} start-up {spa} {hot tub} shock packet {that} quickly dissolves with an effervescent {fizzing} action – one packet per 500 gallons.} {Do not use a non-chlorine shock as it cannot establish a chlorine residual.} Use {the appropriate chlorine test strips or kit and follow manufacturer’s instructions} {Test Strips {included in this package}} to accurately maintain the {reduced} {low} 0.5 {-1.0} ppm chlorine level following the label directions carefully).

NOTE: Free Chlorine levels are reduced up to 75%* when using Frog minerals

5. Heat water to the manufacturer’s recommended temperature {before using cartridges}.
6. Begin routine {spa} {hot tub} care as soon as {spa} {hot tub} {start-up is complete} {is prepared}.

Step Two: Put the @ease System To Work

1. {Remove {the} {outer} packaging from both the mineral and chlorine cartridges {and while holding the cartridge over the {hot tub} {spa} remove the {protective} {peel off} {tear off} seal {label} on the chlorine cartridge and allow any loose {fines} {particles} to fall into the water}. NOTE: Small mineral particles may have dislodged from the mineral cartridge in shipping. Simply discard {those particles} in trash. Bring the two cartridges together and line up the arrow on the chlorine cartridge with the unlock symbol on the mineral cartridge. {Push together and twist to {lock} {the lock symbol} {the desired setting number.} {Rotate the two cartridges {until you {hear} {feel} the {safety} {locking} {tab} {two cartridges} click into place} {approximately 90° to lock in place}.

2. {Setting the Chlorine Output}

- a. {Twist the mineral cartridge opposite of the chlorine cartridge until the setting number for your {spa} {hot tub} size is lined up with the arrow (see chart {below} {on page #}).} {Twist the dial on the {bottom} {chlorine} cartridge to the setting {number} for your {spa} {hot tub} size (see chart).} {Start with the {factory} {middle} {center} {medium} setting.} {SPA CHLORINE DISINFECTANT will maintain this level as long as the pH stays within 7.2 and 7.8 so there is {no} {little} need to adjust the cartridge setting}
- b. For the first week or so test the water daily with Test Strips that show the exact active (free) chlorine color you should match when using Frog minerals. If the water test shows lighter than that color, the chlorine level is low, {Twist the two cartridges opposite each other to reach one setting higher.} {Turn the dial on the chlorine cartridge to the next highest setting.} If the water test shows darker than

that color, the chlorine level is high so the setting should be decreased by one number. Even at the {lowest} {off} setting {of 0} there will be some chlorine released into the {spa} {hot tub}. If the chlorine bank (total) reading is lighter than the color on the bottle, check the chlorine cartridge as it may be empty.

- c. {If using standard test strips, the free chlorine level should be 0.5 ppm {to 1.0 ppm}. The total chlorine level will be high when the product is first {used} {installed} {placed in the {spa} {hot tub} and slowly come down over the life of the cartridge. When {it} {the total chlorine {reading}} is at or below 3.0 ppm, the system should be flipping over so check to see if the cartridge is empty.}

{The {color} {chlorine} {sanitizer} {disinfectant} cartridge needs to be replaced when empty. Drain water from the cartridge and ensure it is empty before discarding in trash or offering for recycling. Always maintain at least 0.5 ppm free chlorine level.}

INITIAL START-UP SETTINGS Setting Chart Option #1

	{Spa} {Hot Tub} Size (Gallons)			
Daily Filter Time	250-300	300-400	400-500	500-600
One Hour	#	#	#	#
Two Hours	#	#	#	#
Four Hours	#	#	#	#
24 hour @ low flow	#	#	#	#

Setting Chart Option #2

System Setting Chart	
200 Gallons	#
{250 Gallons}	#
{300 Gallons}	#
{350 Gallons}	#
{400 Gallons}	#
{450 Gallons}	#
{500 Gallons}	#
600 Gallons	#

{NOTE: The more you use the {spa} {hot tub}, for instance when you first {get it} {own it}, the greater the setting to achieve at least 0.5 ppm. (This may require a higher setting than what is listed in the chart.) If usage decreases or the chlorine level is greater than 1.0 ppm, lower the setting.}

- 3. {Once set, simply toss it into the {spa} {hot tub}}

[graphic callouts:] {insert color} Top Half: mineral cartridge, {insert color} Bottom Half: chlorine cartridge, Setting {#} on SPA CHLORINE DISINFECTANT cartridge, Twist {dial on bottom of chlorine cartridge}

- 4. Test the water periodically with Test Strips to maintain pH, total alkalinity, calcium hardness and ensure SPA CHLORINE DISINFECTANT is maintaining a 0.5 ppm active (free) chlorine level. {Based on average {spa} {hot tub} usage,} chlorine will last {on average} {about} {up to} {2} {3}-4 weeks for {spas} {hot tubs} {up to} {of} {350} {400} {500} {600} gallons.
- 5. Follow regular {spa} {hot tub} care procedures {on page #} {below}.

{The @ease Floating System has two replaceable cartridges.

- {insert color} = Mineral{s} {Cartridge}
- {insert color} = Bromine {Cartridge}

The combination provides the Fresh Mineral Water benefits of cleaner, clearer and softer water that's easier to take care of.

Simply follow these easy steps:

1. Remove outer packaging from the SmartChlor Cartridge.
2. Line up arrows on both cartridges, push together and lock.
3. Twist the dial on the SmartChlor Cartridge to the setting number for your {spa} {hot tub} (see chart based on gallons {and pump run time per day})
4. Toss into the {spa} {hot tub}. It will float in the water at a slight tilt.
5. If you like, remove @ease from the spa while {bathing} {soaking}. Lift out @ease and let drain into the {spa} {hot tub}. Place on any surface not susceptible to chlorine bleaching. Remember to return it to the {spa} {hot tub} afterwards.}

{Replacing the Chlorine Cartridge}

When the {product} {chlorine cartridge} is almost empty {it} {the system} will {begin to} slowly {flip} {roll} over giving you {a day or two} notice that it's about time to replace. If it stays on its side longer than a day or two, pull unit out of the water and let it drain. Reset it in the water to see if it flips completely. {If it does} {When it completely {flips} {rolls} over} replace by {rotating the two cartridges until the arrow on the chlorine cartridge aligns with the unlock symbol on the mineral cartridge and pull apart}. {Follow Step #1 above for attaching a {filled} {new} chlorine cartridge}.

Do not remove the chlorine cartridge until the system has completely flipped. If the chlorine cartridge {still} contains a small amount of chlorine after the system has {flipped} {rolled} over, place in the {spa} {hot tub} alone until completely empty. Do not allow the chlorine cartridge to sink to the bottom or bleaching of the {spa} {hot tub} surface could occur. When completely empty, discard in trash {or offer for recycling}.

{Replacing Cartridges}

- A. When the @ease Floating System flips completely over, remove the {insert color} SmartChlor {chlorine} cartridge
 - SmartChlor cartridge will last about 3-4 weeks/400 gallon {spa} {hot tub}
 - Floating System naturally lists in the water. To check if SmartChlor is empty, lift up and drain all water from the system, then replace in the {spa} {hot tub} and see if it flips completely.
 - Detach chlorine cartridge by twisting to align with "unlock" arrow and pull apart
 - Recycle empty cartridge or discard in trash. Note: If the chlorine cartridge still contains a small amount after detaching, place in {spa} {hot tub} to float on its own until empty. Do not let it sink to bottom as it may bleach {spa} {hot tub} surface.
- B. Shock {spa} {hot tub} with a non-chlorine shock and replace the SmartChlor cartridge.
- C. Replace the complete @ease Floating System every four months or when refilling spa. There may appear to be media left in the mineral cartridge after four months, but the minerals are spent.}

{Step Three: Routine} {Regular} {Spa} {Hot Tub} Care

- Drain and refill {spa} {hot tub} {as directed by your {spa} {hot tub} manufacturer} {or every four months when FROG minerals need to be replaced}.
- Run filtration system as recommended by your {spa} {hot tub} manufacturer {or at least 3 hours per day}.
- {Periodically} {Regularly} {Weekly} test water {with @ease Test Strips} and follow directions in {Step One} {Start-up} for maintaining pH, total alkalinity and calcium hardness {and free

chlorine levels with the precise Test Strips} {that include special directions for using with these products}.

NOTE: pH is affected by {weather} bather load, chemicals used, evaporation and the make-up of your source water so maintaining water balance regularly is important.

- SmartChlor will maintain {at least a 0.5 ppm} {0.5 to 1.0 ppm} free {active} chlorine level as long as the water is balanced. {The SPA CHLORINE DISINFECTANT forms a chlorine {bank} {reserve} that is measured as total chlorine on a standard test strip/kit. This chlorine {bank} {reserve} readily shifts to {active} {free} chlorine as needed to maintain {a desirable} {our recommended} low level of chlorine {available for disinfection}. {Based on average {spa} {hot tub} usage,} chlorine will last {on average} {about} {up to} {2} {3}-4 weeks for {spas} {hot tubs} {up to} {of} {350} {400} {500} {600} gallons.}}

NOTE: Free chlorine levels are reduced up to 75%* when using Frog minerals and SmartChlor Technology

{NOTE: Why @ease Test Strips? The SmartChlor cartridge forms a chlorine reserve that will be inaccurately measured as total chlorine on other test strips. Unlike conventional chlorine, the SmartChlor reserve readily shifts to free chlorine as needed, maintaining {spa} {hot tub} health with a low level of chlorine.}

- Shock the {spa} {hot tub} with {granular chlorine or} a non-chlorine shock when you replace the SmartChlor Cartridge, or once a month or if the water looks cloudy {and/or add a {spa} {hot tub} clarifier according to label directions}. {With SPA CHLORINE DISINFECTANT, far less shocking is required compared to standard water treatments that require weekly shocking or shocking after every use.} See Troubleshooting for other issues.
- Replace the SPA CHLORINE DISINFECTANT cartridge when the system flips over (see Replacing the Chlorine Cartridge) {and complete @ease System as directed}. {Replace the complete Floating System every 4 months or when draining and refilling the {spa} {hot tub}. Even if, upon shaking the mineral cartridge, it appears there is spent media left inside, once wetted the time released minerals in the cartridge are effective up to four months.}

{NOTE: This product may be removed from the {spa} {hot tub} when in use. Lift out of the water and let drain into the {spa} {hot tub}. Then place on {the rail of the {spa} {hot tub} or} {any} surface that is not susceptible to bleaching from the chlorine. Remember to replace the product once exiting the {spa} {hot tub}.}

Troubleshooting

Cloudy Water or Low Chlorine Levels

- Check water balance. pH and Total Alkalinity need to be in the proper ranges for the @ease Floating System to work correctly
- Check SmartChlor cartridge and replace if empty—see instructions under “Replacing Cartridges”
- Check your calendar. The entire @ease Floating System, including the mineral cartridge, needs to be replaced every four months. Without the minerals, SmartChlor will not be enough to sanitize the {spa} {hot tub}.

High Chlorine Levels

- This is highly unlikely with @ease because SmartChlor is self-regulating. However, if you use standard test strips, it may appear that total chlorine is higher than the free chlorine. No worries—the strip is measuring the SmartChlor reserve, which will shift to free chlorine as needed. Please always use the @ease Test Strips that were included with your System.

Learn more at www.KingTechnology.com or call 800.222.0169

[Operational Instructions 10 for Spa Cartridge used in In-Line System with SPA CHLORINE DISINFECTANT 53735-14]
[All text is optional]

In-Line System Operating Instructions

{Congratulations!

Your {spa} {hot tub} came with a complete mineral and chlorine {sanitation} {disinfecting} {disinfection} system. When using the {patented} Pool Frog Mineral Reservoir with the {proprietary} SPA CHLORINE DISINFECTANT, you'll enjoy your {spa} {hot tub} more with less work and less {bromine} {or} {chlorine}.

Less Work Because:

- The Frog Mineral {System} {Technology} {Formula}+ continuously works to control bacteria for four full months.
- Cartridges last longer to eliminate daily maintenance.
- Cartridges are pre-filled for no measuring or mess.
- Simply adjust to your setting and relax for weeks.
- With SmartChlor shocking is reduced to once a month.

Less Chlorine Because:

- With minerals in the water, chlorine use is cut by up to 75%*.
- It's precisely metered over {2} {3} to 4 weeks {so it lasts longer than daily spoon feeding} (on a 350 gallon {spa} {hot tub} with average use).
- With minerals and low levels of chlorine, the water feels softer.
- The system reduces odors and leaves the water crystal clear.}

{@ease is the {spa} {hot tub} sanitizing system that takes the guess work out of water so you always feel at ease while enjoying your {spa} {hot tub}.

- @ease creates Fresh Mineral Water that's cleaner, clearer and softer
- @ease employs SmartChlor Technology that knows when and how much free chlorine is needed so it uses less.
- @ease requires far less shocking – only once a month!}

Register your In-Line System at KingTechnology.com

{Welcome to Fresh Mineral Water with SPA CHLORINE DISINFECTANT technology courtesy of Frog. This {spa} {hot tub} water care system destroys bacteria to keep your {spa} {hot tub} clean with less work and up to 75% less chlorine.* There are two cartridges – the top one holds our {patented} mineral formula while the bottom one has a different kind of chlorine that is smart about when it's needed and when it's not. Its revolutionary formula creates a bank of chlorine that is {equivalent to} {detected as} {read as} {measured as} a total chlorine reading on a test strip. Over time, this bank automatically converts to {active} {free} chlorine when needed to take care of the bacteria and contaminants in the water. The {active} {free} level stays at a low 0.5 ppm which is tailor made for use with Frog minerals that reduce chlorine use up to 75%*.

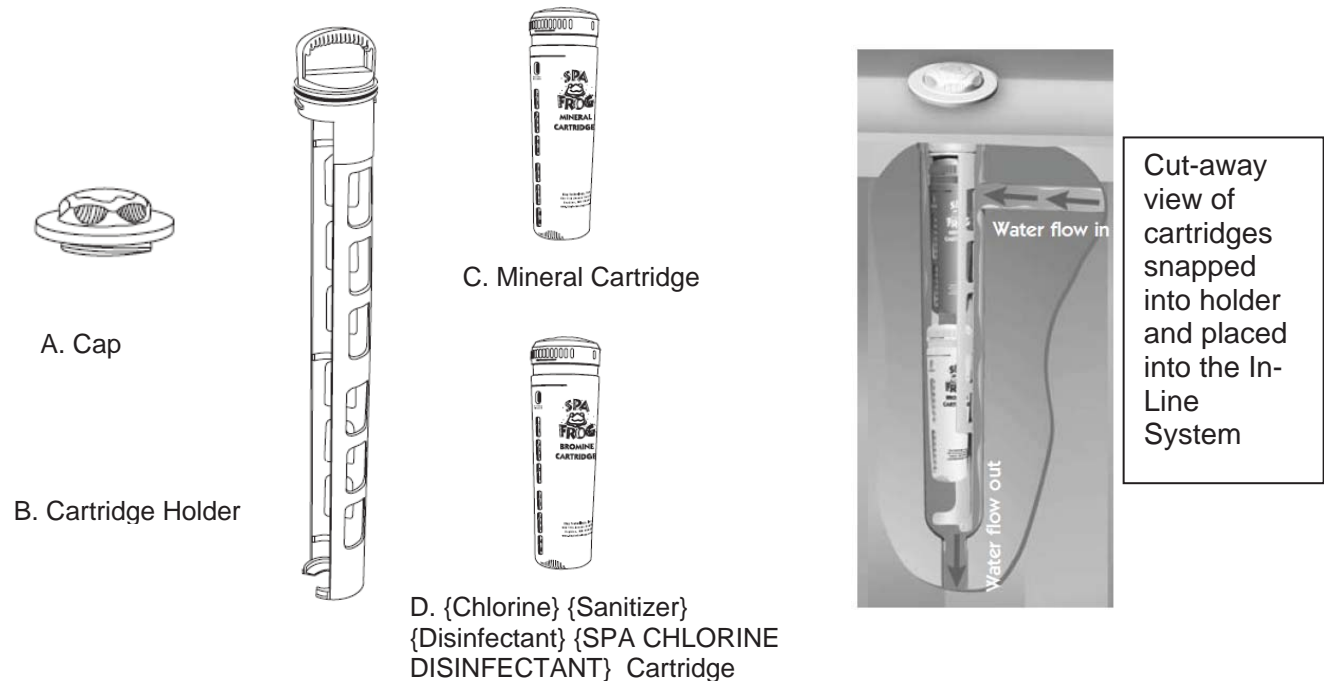
{Simply set and insert into the bottom section of the In-Line System. Everything is prefilled and contained for no mess, no guess {and} no stress {spa} {hot tub} care.}

You're going to love your System. If you have any questions, contact our customer service representatives at **800-222-0169**.

* Compared to the minimum ANSI recommended chlorine level of 2.0 ppm for a {spa} {hot tub}.

Let Us Dissect This System For You: The complete In-Line System

The In-Line System is made up of (A) a cap that is easily distinguishable among the fittings on the top {rim} {edge} of the {spa} {hot tub}, (B) a cartridge holder that pulls out of the installed system inside the {spa} {hot tub}, (C) a mineral cartridge that helps control bacteria in the water and (D) a {chlorine} {sanitizer} {disinfectant} {SPA CHLORINE DISINFECTANT} cartridge that helps support the minerals while oxidizing contaminants like body oils{and ammonia compounds responsible for smelly chloramines} . The cartridges are adjustable to meet your specific {spa} {hot tub} water care needs.



{Start Up} {Step One: Prepare the {Hot Tub} {Spa}} {Follow all directions from your {spa} {hot tub} manufacturer on filling and balancing the water in your {spa} {hot tub}. Standard guidelines for balancing the water are as follows:}

1. Fill {spa} {hot tub} with fresh water. If using source water that is high in iron or other metals, see your dealer before filling the tub. It may require the use of a metal control product. If previously using bromine {and switching to SmartChlor}, you must drain and refill {your {spa} {hot tub}} {before using this product} {first}. {If previously using dichlor you may convert to SmartChlor without having to drain the {spa} {hot tub}.}
2. Clean and replace filter cartridges {when dirty} (*Follow manufacturer's instructions*).
3. Balance water following steps a through d in order. **IMPORTANT:** Always follow printed instructions on the balancing chemical packages. Add balancing chemicals in small increments one at a time with the jets on and wait 6 hours before testing again and adding any additional balancing chemicals.
 - a. Take a water sample from the {spa} {hot tub} and dip a FROG Test Strip into it.
 - b. Look at the Total Alkalinity reading first. Adjustments should be made to bring the Total Alkalinity in the range of 80 – 120 ppm prior to making any adjustments to pH even if it throws pH off further.

Water Balance Guidelines

pH:	7.2-{7.6} {7.8}
Total Alkalinity:	80-120 ppm
Calcium Hardness:	150-250 ppm
Total Dissolved Solids:	<1500
*Free Chlorine:	0.5-1.0 ppm

- c. After Total Alkalinity is in range, test for pH. It should be between 7.2 and 7.8. If higher or lower, add a pH adjuster.
- d. Lastly test for Calcium Hardness. It should be between 150 and 250 ppm. If higher, partially drain the {spa} {hot tub} (about 6 inches) and fill with water low in calcium. If lower, add Calcium Increaser.

{If balancing takes longer than 2 days shock the water and maintain a chlorine level while continuing balancing.}

4. **Very Important!** {Shock {spa} {hot tub} to establish a 0.5-1.0 ppm {free} chlorine residual. Add directly to {spa} {hot tub} following manufacturers' directions.} Before using cartridges, {establish} {ensure there is} an initial residual of 0.5-1.0 ppm {free} chlorine with {Frog Jump Start start-up shock {that came in this package}} {a chlorine shock.} {For best results use Frog Jump Start.} {This} start-up {spa} {hot tub} shock packet {that} quickly dissolves with an effervescent {fizzing} action – one packet per 500 gallons {Do not use a non-chlorine shock as it cannot establish a chlorine residual.} Do NOT add any shock product through the In-Line System. Use {the appropriate chlorine test strips or kit and follow manufacturer's instructions.} {Test Strips {that came in the package} to accurately maintain the reduced 0.5-1.0 ppm {free} chlorine level following the label directions carefully}.

NOTE: Free Chlorine levels are reduced up to 75%* when using Frog minerals

5. When {spa} {hot tub} reaches operating temperature per your {spa} {hot tub} manufacturer's directions, remove the shrink wrap from both cartridges. Set the mineral and {chlorine} {sanitizer} {disinfectant} {SPA CHLORINE DISINFECTANT} cartridges according to directions on {page #} {below} and insert them into the System.
6. Begin routine {spa} {hot tub} care as soon as {spa} {hot tub} {start-up is complete} {is prepared}.

{Step Two: Set the Cartridges}

The SPA FROG In-Line System uses two replaceable cartridges.

- {Insert Color} = Mineral{s} {Cartridge}
- {Insert Color} = Bromine {Cartridge}

The combination provides the Fresh Mineral Water benefits of cleaner, clearer and softer water that's easier to take care of. Remove the shrink wrap from both cartridges before proceeding.

- Set the {insert color} Mineral Cartridge to #6 (hold the bottom and turn the top until 6 appears in the window). No further adjustments are necessary for the life of the cartridge.
- Set the {insert color} SmartChlor Cartridge to the setting that matches your {spa} {hot tub} size in gallons {and pump run time per day}. SmartChlor will maintain a low 0.5 to 1.0 ppm chlorine level as long as the pH stays within 7.2 and 7.8 so there is little need to adjust the cartridge setting

INITIAL START-UP SETTING

[Setting Chart Option #1]

	{Spa} {Hot Tub} Size (Gallons)			
Daily Filter Time	250-300	300-400	400-500	500-600
One Hour	2	3	4	#
Two Hours	2	2	3	#
Four Hours	1	2	2	#
24 hour @ low flow	1	2	2	#

[Setting Chart Option #2]

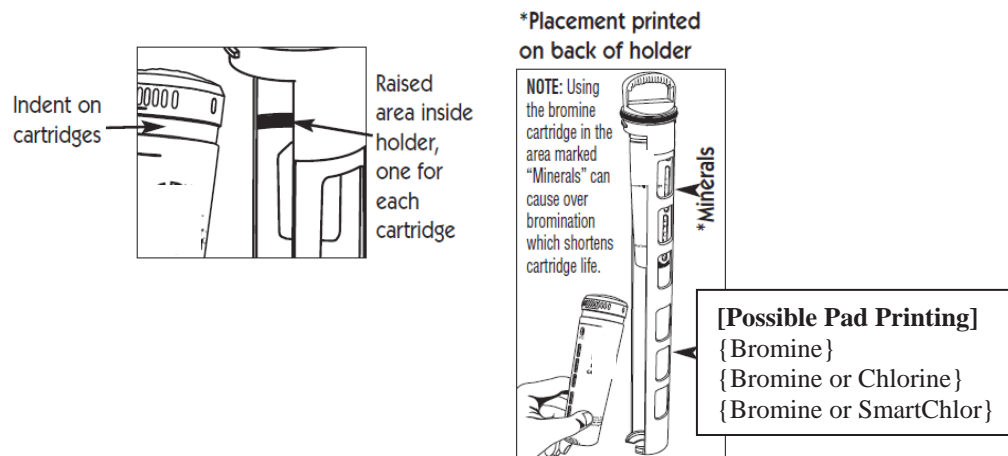
System Setting Chart	
200 Gallons	#
{250 Gallons}	#
{300 Gallons}	#
{350 Gallons}	#
{400 Gallons}	#

{450 Gallons}	#
{500 Gallons}	#
600 Gallons	#

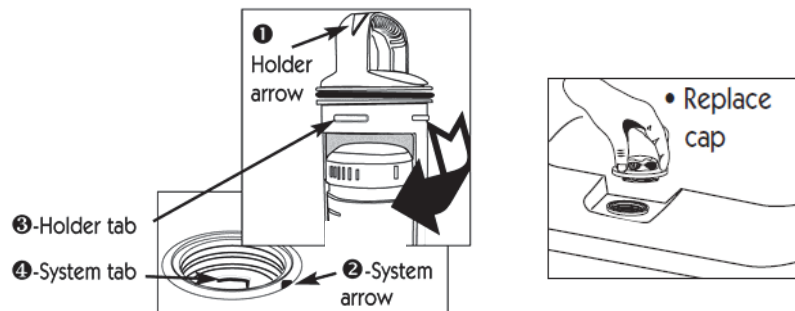
{NOTE: The more you use the {spa} {hot tub}, for instance when you first {get it} {own it}, the greater the setting to achieve at least 0.5 ppm. (This may require a higher setting than what is listed in the chart.) If usage decreases or the chlorine level is greater than 1.0 ppm, lower the setting.}

Step Three: Putting the System to Work

- Open cap of In-Line System and set aside. **DO NOT OPEN CAP WHILE JETS ARE ON.**
- Remove holder by pushing down and turning counterclockwise before pulling out.
- Remove spent cartridges by pushing bottom out through openings in back of holder. Then grab cartridge and pull out.
- Snap the Pool Frog Mineral Reservoir into the area marked “Minerals” (top portion) and the SPA CHLORINE DISINFECTANT Cartridge into the area marked {“Bromine”} {or Chlorine”} {or SmartChlor”} (bottom portion) making sure to line up the indentation at the top of the cartridges with the raised area on the holder.



- Slowly insert holder into system. Line up holder arrow-① with system arrow-②. Push down until holder tabs-③ go past system tabs-④ and turn holder to the right (clockwise) until it stops. To ensure a locked position, attempt to pull holder up. If it stays in place, the lock is secure.



- Begin regular {spa} {hot tub} care procedures (see page #) as soon as start-up is complete.

{Adjusting and When to Replace Pool Frog Mineral Reservoir:

- Set {color} Pool Frog Mineral Reservoir wide open on #6 by holding the bottom and turning the top until the number 6 appears in the setting window. No further adjustments are necessary.}

Replacing Cartridges

- {The Pool Frog Mineral Reservoir must be replaced every 4 months. After four months of use, or when draining and refilling the {spa} {hot tub} with fresh water, discard Pool Frog Mineral Reservoir in trash even if, upon shaking, it appears there is spent media left inside. Once wetted the time released minerals in the cartridge are effective up to four months. Do not attempt to reuse the product once removed from the {spa} {hot tub}. {For ease in remembering, mark your calendar with the Reminder Stickers included with this manual.} {See {spa} {hot tub} manufacturer's draining recommendations.}}

{Adjusting and When to Replace SPA CHLORINE DISINFECTANT:

{As every {spa} {hot tub} is different, finding the right setting for the {color} {chlorine} {sanitizer} {disinfectant} {SPA CHLORINE DISINFECTANT} cartridge will require monitoring your usage for the first week or two.} {SPA CHLORINE DISINFECTANT will maintain a low 0.5 to 1.0 ppm chlorine level as long as the pH stays within 7.2 and 7.8 so there is little need to adjust the cartridge setting.}

Begin with an initial setting based on the chart {below} {on page #} and for one week monitor free chlorine levels daily or before each use, adjusting the cartridge by one setting per day until a 0.5-1.0 ppm level has been achieved.

Use Test Strips that show the exact active (free) chlorine color you should match when using Frog minerals. If the water test shows lighter than that color, the chlorine level is low. To adjust cartridge, remove from system and turn to the next highest setting. If the water test shows darker than that color, the chlorine level is high so the setting should be decreased by one number. If the chlorine bank (total) reading is lighter than the color on the bottle, check the cartridge {to see if it is} {as it may be} empty.

{If using standard test strips, the free chlorine level should be 0.5 ppm {to 1.0 ppm}. The total chlorine level will be high when the {product} {cartridge} is first {used} {installed} and slowly come down over the life of the cartridge. When {it} {the total chlorine {reading}} is at 3.0 ppm, check to see if the cartridge is empty.}

The {color} {chlorine} {sanitizer} {disinfectant} {SPA CHLORINE DISINFECTANT} cartridge needs to be replaced when empty. Drain water from the cartridge and ensure it is empty before discarding in trash or offering for recycling. On {most} {the average 300-400 gallon} {spa}{s} {hot tub}{s}, it will last between {2} {3} and 4 weeks. Always maintain at least 0.5 ppm free chlorine level.}

- {Replace {insert color} Mineral Cartridge every four months
 - Discard it in the trash even if it appears to have media left inside
 - Don't attempt to reuse: the minerals are spent after 4 months
 - {Use the enclosed stickers to remind you when it's time to replace}
- Replace {insert color} Bromine Cartridge when empty
 - Life of cartridge varies depending on {spa} {hot tub} size and number of users
 - Drain water from cartridge to ensure it is empty
 - Discard in trash}

{Step Four: Routine} {Regular} {Spa} {Hot Tub} Care {Procedures}:}

Always follow the directions for operating your particular {spa} {hot tub}.

- Drain and refill {spa} {hot tub} as directed by your {spa} {hot tub} manufacturer} {or every four months when FROG minerals need to be replaced}.
- Run filtration system as {manufacturer recommends} {directed by your {spa} {hot tub} manufacturer} {to maintain proper water flow through the In-Line System {or at least 3 hours per day}}.
- {Periodically} {Regularly} {Weekly} test water {with @ease Test Strips and follow directions in {Step One} {Start-up} for maintaining pH, total alkalinity {and calcium hardness} .
- NOTE: pH is affected by {weather} bather load, chemicals used, evaporation and the make-up of your source water so maintaining water balance regularly is important. {Use Test Strips {that came with your @ease system} or a test kit to routinely check your pH, Total Alkalinity and Calcium Hardness.}
- {SmartChlor will maintain {at least a 0.5 ppm} {a 0.5 – 1.0 ppm} free chlorine level {as long as the water is balanced} {at all times}. On the @ease Test Strip is an Out Indicator that shows when the SmartChlor Cartridge is empty. {The SPA CHLORINE DISINFECTANT forms a chlorine {bank} {reserve} that is measured as total chlorine on a standard test strip/kit. This chlorine {bank} {reserve} readily shifts to free chlorine as needed to maintain {a desirable} {our recommended} low level of chlorine {available for disinfection}.} {Based on average {spa} {hot tub} usage,} chlorine will last {on average} {about} {up to} {2} {3}-4 weeks for {spas} {hot tubs} {up to} {of} {350} {400} {500} {600} gallons.}}

NOTE: Free chlorine levels are reduced up to 75%* when using Frog minerals and SmartChlor Technology. Use test strips {that came with your @ease System} or a test kit to routinely check your pH

{NOTE: Why @ease Test Strips? The SmartChlor cartridge forms a chlorine reserve that will be inaccurately measured as total chlorine on other test strips. Unlike conventional chlorine, the SmartChlor reserve readily shifts to free chlorine as needed, maintaining spa health with a low level of chlorine.}

- Shock the {spa} {hot tub} with {granular chlorine or} {a non-chlorine shock} } {when you replace the SPA CHLORINE DISINFECTANT Cartridge or once a month} {if the water looks cloudy} {and/or add a {spa} {hot tub} clarifier according to label directions}. {With SPA CHLORINE DISINFECTANT, far less shocking is required compared to standard water treatments that require weekly shocking or shocking after every use.} See troubleshooting for other issues.
- Remember to replace your {Pool Frog Mineral Reservoir and SPA CHLORINE DISINFECTANT cartridges} {SmartChlor Cartridges and complete @ease system} as directed {under “Adjusting and When to Replace”}.
- Lubricate o-ring twice a year with a silicone lubricant.

Troubleshooting

Cloudy Water or Low Chlorine Levels

- Check water balance. pH and Total Alkalinity need to be in the proper ranges for the @ease System to work correctly
- Check SmartChlor cartridge and replace if empty—see instructions under “Replacing Cartridges”

- Check your calendar. The entire @ease In-Line System, including the mineral cartridge, needs to be replaced every four months. Without the minerals, SmartChlor will not be enough to sanitize the {spa} {hot tub}.

High Chlorine Levels

- This is highly unlikely with @ease because SmartChlor is self-regulating. However, if you use standard test strips, it may appear that total chlorine is higher than the free chlorine. No worries—the strip is measuring the SmartChlor reserve, which will shift to free chlorine as needed. Please always use the @ease Test Strips that were included with your System.

Learn more at www.KingTechnology.com or call 800.222.0169

[Copy for packaging and labeling - All text on this page is optional]

{Frog Mineral {System} {Technology} {Formula}+ improves {swimming pool pleasure} {your swimming experience} by reducing the problems associated with chlorine. {Experience the FROG difference} {It gives you}:

- Less work with no daily dosing {of minerals or chlorine}.
- Sparkling water for above ground and in ground pools.
- Pre-filled pacs eliminate fumes typical of chlorine buckets.
- Reduces Fading Swimsuits
- Lower chlorine levels help prevent damage to equipment and surfaces.
- A neutral pH with less monitoring

Let Us Dissect This Frog For You

A Mineral {Sanitizing} {Disinfecting} System With 3-Parts

- Frog Cycler holds the Mineral Reservoir and chlorine Bac Pac
- Pool Frog Mineral Reservoir contains the minerals
- Frog chlorine Bac Pac (sold separately EPA Reg. No. 53735-2) provides low chlorine support.

Here's How It Works

- The Frog System destroys bacteria
- The Frog Mineral System reduces chlorine use up to 50% compared to the minimum EPA recommended chlorine level of 1.0 ppm for a stabilized swimming pool.
- When using the chlorine Bac Pac water flows through minerals and chlorine so one unit does all.

Frog is more fun

Up To 50%* Chlorine Reduction with Pool Frog Mineral System

Take home the complete mineral system including:

FROG's Complete Pool Care System includes:

1. Pool Frog Mineral Reservoir
 - Fits inside the Frog Cycler
 - Contains minerals that help to {control} {destroy} bacteria
 - Replace mineral reservoir every season – do not use more than 6 consecutive months.
2. Chlorine Bac Pac (sold separately – EPA Reg. No. 53735-2)
 - Pre-filled with Trichlor (chlorine) tablets.
 - Sits inside the Pool Frog Mineral Reservoir for a complete system
 - Set the Cycler dial for achieving at least 0.5 ppm chlorine level (see instruction manual)
 - Replace chlorine Bac Pac when empty
3. Frog BAM Algae Preventative (sold separately – EPA Reg. No. 53735-9)
 - Algae Protection Guarantee when used with the Complete Frog System
 - Dispenses in 90 minutes and provides 90 days of algae protection}

Don't forget Frog Wake-Up Kit for spring openings and Frog Hibernation Kit for pool closings.

There's a Frog For You!

[All text on this page is optional]

Frog Copy by Category:

1. Less Work

- Less work with a 6 month Mineral Reservoir and pre-filled chlorine Bac Pac.
- Less work with pre-filled disposable cartridges.
- No more daily maintenance with replacement products that last weeks or months at a time.
- Take back the fun of your pool by reducing the work and increasing the pool's life.
- {Frog offers} more fun {with your family}! Let Frog do the work for you.
- Relaxation and peace of mind.
- Set the Cyclor valve and it dispenses minerals and chlorine automatically.
- Automatic dispensing of minerals and {chlorine} {bromine} – Automatic pool care.

2. Less {Chlorine} {Bromine}

- Frog is a mineral system with a pre-filled chlorine pac that meets the EPA requirements to lower previously approved safe chlorine levels by up to 50%.* (*1.0 ppm was EPA's previously approved safe level for a stabilized swimming pool).{for pools}
- Pool Frog Mineral Reservoir is a mineral system using a pre-filled bromine cartridge that meets the EPA requirements to lower previously approved safe bromine levels by up to 50%.* {for spas} {for hot tubs}
- With standard chlorine products for swimming pools, EPA has NOT approved a chlorine level of 0.5 ppm without using minerals.
- With standard bromine {or chlorine} products for {spas} {hot tubs} and hot tubs, EPA has NOT approved a bromine {or chlorine} level of 1.0 ppm without using minerals.
- The Frog Mineral {System} {Technology} {Formula}+ destroys bacteria so less {chlorine} {bromine} is needed for complete {pool} {spa} {hot tub} care.
- Minerals help destroy bacteria so less {bromine} {or chlorine} is needed for complete {spa} {hot tub} care.
- Lowers {chlorine} {bromine} {usage} {use}
- Reduces {chlorine} {bromine} consumption
- Frog Mineral {System} {Technology} {Formula}+ reduces the formation of chloramines and odors.
- Frog Mineral {System} {Technology} {Formula}+ reduces chloramines and its effects.

3. Water Quality

- Pool Frog's minerals make a difference you can see and feel.
- Water feels softer with a crystal clear shine.
- For softer water with a crystal clear shine.
- Frog minerals condition the water for extra softness.
- Frog Mineral {System} {Technology} {Formula}+ reduces the problems associated with {chlorine} {bromine} like {faded} {fading} swimsuits.
- Lower chlorine levels help prevent damage to equipment and surfaces.
- Spend the day in the {pool} {spa} {hot tub} without worrying about faded swimsuits.
- Pool Frog gives you a reliable way to have fresh, clean, clear water in your family's {pool} {spa} {hot tub}.
- With Pool Frog Mineral Reservoir your {spa} {hot tub} will have the feel of a hot spring in the Rocky Mountains cascading over your tired limbs and soothing muscles.
- Pool Frog Mineral Reservoir transforms your {spa} {hot tub} into the perfect environment for soothing relaxation.
- The perfect {spa} {hot tub} environment.
- Makes water brilliantly clear {and soft}

[All text on this page is optional]

- Restores water clarity
- Frog Mineral {System} {Technology} {Formula}+ conditions water for extra softness
- The Pool Frog Mineral {system} {formula} destroys bacteria and is easy on swim suits, and skin.
- Effectively {fights} {destroys} bacteria
- Prevents the things you don't like about chlorine like bleached swim suits

4. How Frog Mineral {System} {Technology} {Formula}+ Works

- Frog Mineral {System} {Technology} {Formula}+ helps rid the water of harmful bacteria.
- Frog's {patented} mineral {System} {Technology} {Formula}+ destroys bacteria with a controlled release formula that lasts {6} {4} months.
- Frog minerals also help keep your pH balanced by acting as a neutralizer.
- Complete mineral pool care works in all pools.
- Complete mineral {spa} {hot tub} care works in all {spas}* {hot tubs*}. (*Any {spa} {hot tub} can take advantage of a complete system including the Pool Frog Mineral Reservoir used with the Spa Frog Bromine Cartridge.)
- Improves water quality by:
 - Helping to maintain a neutral pH for softer water.
- Let Frog Mineral {System} {Technology} {Formula}+ handle the bulk of your water {sanitation} {disinfection} {disinfecting} needs.
- Silver plus 0.5 ppm chlorine is as effective as 1.0 ppm chlorine alone. {for pools}
- Silver plus 1.0 ppm bromine {or chlorine} is as effective as 2.0 ppm of bromine {or chlorine} alone. {for spas} {for hot tubs}
- Pool Frog Mineral Reservoir works together with very low levels of {bromine} {or chlorine} to control bacteria, condition the water and help neutralize pH.
- The Frog Mineral {System} {Technology} {Formula}+ provides silver to help destroy bacteria and carbonate to help keep the pH in an acceptable range without monitoring.
- The Frog Mineral {System} {Technology} {Formula}+ contains silver to help destroy bacteria and carbonate to help keep the pH in an acceptable range without monitoring.
- Silver helps destroys bacteria to reduce chlorine use up to 50%*
- Frog minerals constantly work to keep bacteria away.
- Pool Frog's mineral formula {kills} {destroys} {is sure tough on} waterborne bacteria.

5. How To Use

- Just set it and forget it for weeks at a time.
- Maintain at least 0.5 ppm of chlorine.
- Mark your calendar with enclosed reminder stickers for the 6 month replacement date.
- Replace the Mineral Reservoir every six months or once a season.
- Replace the chlorine Bac Pac when empty – usually every 1-3 weeks.
- Replace the 7 pound chlorine Pac for Pool Frog XL Pro when empty – usually every 3-4 weeks.

[All text on this page is optional]

Frog now comes with water polishers for easier pool start up.
Pool Frog Mineral Reservoir now with Start-up Water Polishers for easier start up.
{Now with} {Plu} Start-Up Water {Polishers} {Clarifiers}
Now with 25% more water polishers {than the original mineral reservoir}
{Now with} 25% greater clarifying power {than the original mineral reservoir}
Now more water polishers {than the original mineral reservoir}
Now more start up water polishers {than the original mineral reservoir}
New and improved with additional water polishers
Now {pool} {spa} {hot tub} start-up just got {clearer} {easier}
Start your Frog pool with clearer water this season
Insanely Cool Pool Care
{Patented} Get Down™ Pool Care Technology
{Patented} Get Down Mineral™ Pool Care Technology
Get Down Mineral Technology
Get Down Mineral Pool and {Spa} {Hot Tub} Care Technology
Get Down Mineral Pool Care Technology
Get Down Pool and {Spa} {Hot Tub} Care Technology
Get Down Pool Care Technology
Get Down

[The following text may or may not appear on an insert inside packaging]

Important – Remove and Read

Less Chlorine with {Bac Pac} {Pool Frog Pacs} {Pool Frog Mineral {System} {Technology} {Formula}+.

To assure a 50%* chlorine reduction use this Pool Frog Mineral Reservoir with {a} {the appropriate} {chlorine} {Bac} Pac {for your system}. See setting chart in manual for the proper control dial setting.

Operation without {chlorine} {Bac} Pac.

If using {Pool Frog Mineral Reservoir} with an alternative source of chlorine leave the center of the Pool Frog Mineral Reservoir empty and set the Pool Frog control dial to {Maximum} Setting {10} {5} or {On} depending on your Pool Frog System. {No adjustments necessary.}

Frog Brand Test Strips

To accurately measure the reduced chlorine level of 0.5 to 1.0 ppm, use Frog Brand Test Strips and adjust your dial setting to maintain the ideal Frog chlorine range and get a longer life to the Pool Frog {Bac} Pac.

Warning

Do not put anything in the center of the Pool Frog Mineral Reservoir other than {a factory recommended Bac Pac or Frog Bam 90-Day Algae Preventative} {the appropriate Frog product as directed in the product instructions}. {Do not use any other pac or bulk chemical tablets in the Pool Frog Mineral Reservoir. Use of any other products could result in damage to pool equipment or surface, unsafe pool conditions, fire or explosion. Warranty will be void if the correct Pool Frog Mineral Reservoir, Frog Bam and Bac Pac are not used.}
Damage could result to the pool or equipment and warranty will be null and void.

[Other Optional Text]

Free Frog Bam Offer Inside - \$XX.XX Value

Special Offer Inside

See Inside for Special Offer

Above Ground Series {4500} or {5100} {6100} {6500} {6700} {xxxx} (Order #xx-xx-xxxx) for use in Model

Now fits the following Cyclers: Pool Frog Series 4500, 5100, 5200, 6100, 6500 or xxxx

Prevail Series 5770 or 5771 In Ground Series 5400 or xxxx (xx-xx-xxxx) for use in Model

Now fits the following Cyclers: Pool Frog Series 5400, 5600, or xxxx and Prevail Series 5790 01-12-5472

Series 6100 or xxxx (xx-xx-xxxx) 01-12-6152

Series 6500 or xxxx (xx-xx-xxxx) 01-12-6152

For use with Aqua Smarte Models 5700 and 6700 or xxxx

Contents;

Pool Frog Mineral Reservoirs

Pool Frog Bac Pacs

{Plus} Free {Frog} {Brand} Test Strips {(\$\$ Value)} {Inside}

\$\$ Mail-in Coupon for this purchase

\$\$ Mail-in Coupon for Frog Test Strips

\$\$ Mail-in Coupon for Frog BAM

[All text on this page is optional]

[Additional Copy for Skimmer Application packaging and labeling]

{Frog Mineral {System} {Technology} {Formula}+ improves {swimming pool pleasure} {your swimming experience} by reducing the problems associated with chlorine. Experience the FROG Difference:

- Less work with no daily dosing of minerals or chlorine.
- Sparkling water for in ground pools.
- Reduces Fading Swimsuits
- Lower chlorine levels help prevent damage to equipment and surfaces.}

{Set reminder dial to the six month replacement date.}

{Drops in Skimmer!}

{Don't close your eyes to the perfect pool.}

{The Perfect Pool Begins With Pool Frog Mineral Reservoir}

- {Lasts a full six months with a handy reminder dial
- Shroud prevents clogging and acts as a handle
- Water flows in the snorkel and openings on top and sides
- Water flows out the bottom dispensing low levels of minerals into the pool}

[Additional Copy for Pool Cartridge used in Floating System packaging and labeling]

- FROG Splash – The Perfect Choice for Splasher Pools
- Splash Into Summer With Pool Care From FROG
- Small pools still need proper care – make it a snap with FROG Splash
- Make sure your pool is properly treated – use FROG Splash
- Before you Splash, use FROG Splash!
- FROG Splash makes pool care a snap with 3 Easy steps:
 1. Set the cartridges according to the instructions for each
 2. Snap them into the floating holder and place in water
 3. Replace cartridges when directed (see instructions inside)
- Before your family goes for a splash – make sure the water is treated with FROG Splash.
- All pools require a method for controlling bacteria growth – even small above ground pools!
- Frog Splash contains minerals that help destroy bacteria and reduce chlorine use up to 50%.
- For use in the Frog Splash System
- Especially important for little people in little pools that create a big breeding place for bacteria.
- EPA registered and {patented} minerals help inhibit bacterial growth when used in conjunction with reduced levels of chlorine.
- FROG Splash allows your family to splash with a smile.
- Free floats in the pool.
- Set upside down outside the pool while in use. Remember to replace when finished using the pool.

[All text on this page is optional]

Now {Spa} {Hot Tub} Care with Less Work
Mineral and Bromine {or Chlorine} {Spa} {Hot Tub} Care

Works in all {spas} {hot tubs}
Reduces bromine {or chlorine} use up to 50%*
Cuts bromine {or chlorine} use up to 50%*

Relax - Frog's on the Job
Reusable Holder
Replacement Cartridges

Register your Pool Frog Mineral Reservoir at Kingtechnology.com
Put{s} the AAAHH in Your {Spa} {Hot Tub}
Frog Mineral and Bromine {or Chlorine} {Spa} {Hot Tub} Care

For Use in the In-Line System
For Use in Spa Floater or Installed In-Line System
For use in the Automatic In-Line System Only

In-Line System Only
In-Line System, Bromine Cartridge, Mineral Cartridge, Spa Floater
Easy top-loading of cartridges

Ask your dealer if your {spa} {hot tub} came with an In-Line System
Ask for the 200 gram Bromine Cartridge for longer life
See side panel for in-line details

Less bromine {or chlorine}-with minerals helping to control bacteria
Less work with no daily dosing of minerals or bromine {or chlorine}
Less work with pre-filled disposable cartridges

Reduces maintenance with pre-filled adjustable cartridges
Less maintenance - Cuts Maintenance Time
Relaxation and peace of mind

For use in the Floating System
Floating System, Floating Holder
Cartridges are easy to snap in and out when replacing
Floats in Any {Spa} {Hot Tub}, Works in all {spas} {hot tubs}

Pleasant feeling skin
Silky smooth feeling
Soft water
Soft water that's easy on skin

Soft feeling water that's easier on your skin
Silky smooth feeling water
Silky feeling water that comes from water softness
Helps maintain a neutral pH to provide silky water
Using less bromine {or chlorine} helps reduce odors

[All Text on this page is optional]

Reduces Odors

Setting Window

Cartridge Kit for Automatic {Spa} {Hot Tub} Care

Contains: 1 Mineral Cartridge - Lasts 4 Months

3 Bromine Cartridges – Each Lasts {2} {3}-4 Weeks

200 grams each – Lasts 3-5 weeks

Just follow the easy guidelines below:

1. Fill {spa} {hot tub} with fresh water and bring {spa} {hot tub} to recommended temperature.
2. Balance the water's pH and total alkalinity and shock the {spa} {hot tub} to establish a bromine or chlorine residual of 1.0-2.0 ppm {using the {spa} {hot tub} start-up shock packet}.
3. Adjust your cartridges:
 - a. For the {insert color} mineral cartridge – set wide open on Setting #6.
 - b. For the {insert color} bromine cartridge – set the cartridge to #5 for the first 24 hours ONLY. Then adjust down to maintain a low 1.0-2.0 ppm of bromine. That's up to 50%* less bromine than standard {spas} {hot tubs} require.
4. Insert cartridges into floating holder openings.
5. Let the Floating System free-float in your {spa} {hot tub}. When using the {spa} {hot tub}, simply lift up the Floating System, drain most of the water and set on the side of the {spa} {hot tub} inverted so all excess water drains into the holder. Return to {spa} {hot tub} when finished using.
6. Replace your cartridges:
 - a. For the {insert color} bromine cartridge – replace when empty. The cartridge life will vary.
Once your usage is determined, mark the calendar with enclosed replacement reminder stickers.
 - b. For the {insert color} mineral cartridge – replace every 4 months or when draining and refilling the {spa} {hot tub} with fresh water.
7. Shock the {spa} {hot tub} with a non-chlorine or chlorine shock once a week or more often if the {spa} {hot tub} is heavily used.

Replace Bromine Cartridge every {2} {3}-4 weeks. Bromine usage varies depending on {spa} {hot tub} size and number of {spa} {hot tub} users.

Mineral Cartridge must be replaced every 4 months. NOTE: You may still feel the “spent” minerals inside, but they are no longer effective and need to be replaced. Simply discard in trash.

See inside label for directions for use and disposal instructions.

Just follow the easy guidelines in the enclosed manual and the following helpful tips:

VERY IMPORTANT! Before using cartridges, establish a bromine or chlorine residual of 1.0-2.0 ppm {with granular Brominating Concentrate™ or a chlorine shock} {{spa} {hot tub} start-up shock packet}. (See instruction manual.)

Brominating Concentrate™ is a registered trademark of Bio-Lab, a Chemtura Company.

Cartridges are easy to snap in and out when replacing.

If desired, invert and set on side of {spa} {hot tub} when {spa} {hot tub} is in use.

Mark you calendar with enclosed replacement reminder stickers.

Experience the shape of Frog water testing with free Frog Brand Test Strips inside.

Now its easier to maintain the low 1.0 ppm bromine level with Frog Brand Test Strips. See inside for details. Start-up is easier with the {spa} {hot tub} start-up shock packet with its {effervescent} {fizzing} action

[The following rebate copy may or may not appear on packaging – All text is optional]

that shows it's working. See inside for details. Start up your freshly filled {spa} {hot tub} with a free Frog Jump Start.

Free {spa} {hot tub} start-up shock packet inside! Free Frog Jump Start inside \$x.xx Value

Free Cartridge Rebate

Free Bromine Cartridge Rebate - \$##.## Value

\$##.## Rebate with the purchase of Frog Test Strips

Purchase must include 1 Frog Test Strips (50 ct) from any participating store.

FROG Test Strips \$##.## Rebate

{Plus} Free Frog {Brand} Test Strips Inside

See side panel for \$##.## Rebate on New Frog Test Strips

Save \$##.## {when you try} {on} the complete Spa Frog Floating System {with:}

- 50%* less bromine use
- Less work – more fun!
- Soft water with a crystal clear shine

Plus we guarantee you'll love SPA FROG!

See product or kingtechnology.com for full details.

Get \$##.## back when you purchase a Spa Frog Floating System for mineral and bromine {spa} {hot tub} care that keeps water clean and crystal clear.

Receive a Free Spa Frog Bromine Cartridge with purchase of this kit.

How: Purchase from any participating Frog retailer (no on-line sales). See www.kingtechnology.com for a retailer in your area. Send completed coupon below with original sales receipt and original UPC bar code (no copies or facsimiles) showing the purchase of {product name} to King Technology {name of rebate} {submittal address}.

When: All entries must be postmarked {within 30 days of purchase.} {no later than} {and offer expires} {date}. Important: This is a mail in rebate only. This is NOT {valid in store} an in-store rebate. Limit: one {name of rebate} rebate per household. Read all terms and conditions carefully. This is a one time offer. See details on back.

[Rebate form has the following:]

Full Name, Address, City, State, Zip, Phone, e-mail.

{I am using these cartridges in the (check one)}

- In-Line System (built into the {spa} {hot tub}) that came installed on my {spa} {hot tub}.
- Floating System (floats in the {spa} {hot tub})

{I am using FROG Test Strips with the (check one)}

- Pool Frog Above Ground System
- Pool Frog In Ground System
- Spa Frog Floating System
- Spa Frog In-Line System

{Caldera Spas Dealer / Dealer Address}

{Spa} {Hot tub} Brand

You must attach proof of purchase.

This rebate is intended for the end user consumer only; and may not be used with any other coupon or offer. Limit: one rebate per household. This offer is product specific; substitutions will not be honored. Product must be purchased from a U.S. retailer (no on-line sales) and consumer must reside within the continental United States. Theft, diversion, reproduction, transfer, sale or purchase of this offer form is prohibited and will void rebate. Submissions from P.O. boxes will not be honored. If your primary address is a P.O. box, see your local Post Office for a street address. Submissions from groups or organizations will not be honored or acknowledged. Names and addresses may be verified. Use of fictitious names or addresses could result in federal claims of mail fraud. Offer void where restricted or prohibited by law. King Technology is not responsible for late, lost, mutilated, illegible, misdirected or postage due requests. King Technology reserves the right to rescind this offer. This offer may not be reprinted without the express written consent of King Technology. Please allow 6-8 weeks for delivery of

[The following Satisfaction Guarantee may or may not appear on packaging – All text is optional]

Unconditional Satisfaction Guarantee

You'll LOVE the SPA FROG Floating System or your money back!

If after 90 days you don't experience...

- 50%* less bromine use
- Less work - more fun!
- Soft water with a crystal clear shine

we'll replace it or refund your money. And that's a fact!

This is a limited warranty. See back for details.

Within 90 days of purchasing the SPA FROG Floating System, if you are not completely satisfied, we will refund your money or replace the SPA FROG Floating System only. To submit your claim, the following must be sent to King Technology:

- 1) The SPA FROG Floating System holder ({insert color} piece with FROG logo).
- 2) The receipt(s) showing the purchase of the SPA FROG Floating System and at least 3 SPA FROG Bromine Cartridges.
- 3) A water test analysis showing the water was balanced and the bromine level was between 1.0 and 2.0 ppm.
- 4) A written statement explaining your dissatisfaction and your request for either replacement or refund.
- 5) Return all of the above to:

King Technology Inc. c/o SPA FROG Satisfaction Guarantee

530 11th Ave S, Hopkins, MN 55343

Please allow 4-6 weeks for processing your request.

If you have any questions, please contact Customer Service at 800-222-0169.

King Technology, Inc. warrants its SPA FROG FLOATING SYSTEM product for a period of 90 days from date of purchase. A replacement or refund will be issued if not completely satisfied with the product and the return terms and conditions are met.

Consumer Claims Terms and Conditions

If purchaser is not satisfied with the SPA FROG FLOATING SYSTEM for any reason during the 90-day warranty period a replacement or refund will be issued when (a) sales receipt is returned showing purchase of the SPA FROG Floating System and at least 3 SPA FROG BROMINE CARTRIDGES (b) the floating system holder is returned (c) a water test analysis shows the water was balanced and the bromine level was between 1.0 and 2.0 ppm (d) a written statement explains the dissatisfaction.

This warranty is the exclusive warranty for the SPA FROG FLOATING SYSTEM. This warranty is not transferable. KING TECHNOLOGY, INC. MAKES NO REPRESENTATION OR WARRANTY OF ANY KIND, EXPRESSED OR IMPLIED, AS TO MERCHANTABILITY, FITNESS FOR A PARTICULAR PURPOSE OR ANY OTHER MATTER WITH RESPECT TO THE SPA FROG FLOATING SYSTEM. All claims for the SPA FROG FLOATING SYSTEM, whether in contract, negligence, strict liability or any other tort or otherwise are deemed waived or released unless submitted within the 90 day warranty period for the SPA FROG FLOATING SYSTEM with the proofs of claim required. YOUR EXCLUSIVE CLAIM SHALL IN NO EVENT EXCEED THE REFUND OF THE ORIGINAL PURCHASE PRICE OF THE SPA FROG FLOATING SYSTEM ONLY. IN NO EVENT WILL KING TECHNOLOGY, INC. BE LIABLE FOR INCIDENTAL, CONSEQUENTIAL, SPECIAL OR PUNITIVE DAMAGES RESULTING FROM ANY CAUSE. King Technology, Inc. will not be liable for any product misuse, incorrect water balancing, allowing the bromine residual to drop below standards

[All Text on this page is optional]

provided above, not cleaning the {spa} {hot tub} filter when needed or improper circulation time per day.

This warranty is intended for the consumer only. This warranty is product specific; substitutions will not be honored. Limit one refund per household. Theft, diversion, reproduction, transfer, sale or purchase of this offer form is prohibited and will void refund. Submissions from groups or organizations will not be honored or acknowledged. Names and addresses may be verified. Use of fictitious names or addresses could result in federal claims of mail fraud. Offer void where restricted or prohibited by law. King Technology is not responsible for late, lost, mutilated, illegible, misdirected or postage due requests. King Technology reserves the right to rescind this offer. This offer may not be reprinted without the express written consent of King Technology.

Refer a Friend to FROG {Program} {and {get} {earn} a free Pool Frog Mineral Reservoir}. See side panel.

Here's how it works:

1. You tear off the enclosed program form and give to your friend.
2. They purchase a {Pool Frog Mineral Reservoir and 6 Chlorine Cartridges} {Spa Frog Floating System} and submit the form and their receipt to King Technology, Inc.
3. Your friend receives {a free} {Cycler} {FROG equipment} {\$x Rebate and a money back guarantee} directly from King Technology
4. You receive a free {Pool Frog Mineral Reservoir} {Frog Bam} {Frog Leap Pool Wake Up!} directly from King Technology.

Help your friend enjoy the FROG benefits that you experience every day.

The free gift is our way of saying thanks for making FROG your choice for {pool} {spa} {hot tub} water care and spreading the word to others!

Give your friend the gift of FROG!

If you appreciate FROG Minerals – refer a friend to either Filter FROG or the Spa FROG Floating System and we'll send you a free Pool Frog Mineral Reservoir

On Spa Frog Retail Cartridge Kit Package

Refer a Friend to Frog

\$10 Rebate and Guarantee

Free Mineral Cartridge \$x.xx Value

To Spa Frog User: Cut out this panel, fill in your information under "My Name" and give to your friend who owns a {spa} {hot tub}. When they purchase a Spa Frog Floating System, you get a free Spa Frog Mineral Cartridge! Program ends x-x-xx.

To Friend: When you purchase a Spa Frog Floating System, fill in your information under "My Friends Name" and mail with your original receipt to King Technology, Inc. 530 11th Ave S. Hopkins, MN 55343. You will receive a \$10 rebate and a 90 day money back guarantee! Must be postmarked no later than x-x-xx.

Refer a Friend Offer; This offer is intended for new customers of Spa Frog only. You cannot refer yourself, nor can you refer someone already using this product. Limit x referrals per 12 consecutive month period. This offers is not transferable or redeemable for cash.

\$10 Rebate Offer: May only be used with the Refer a Friend or Spa Frog Money Back Guarantee offer. Both Offers; Must be residents of the United States and 18 years or older. Offer may expire without prior notice. Determination of program eligibility as well as any exceptions are at the sole discretion of King Technology, Inc.

[All text on this page is optional]

How To Use: {Simple Instructions for {spa} {hot tub} cartridge used in Floating System}

- Simply snap out and snap in the pre-filled mineral cartridge.
- Set reminder dial to the four month replacement date.
- For the {insert color} Pool Frog Mineral Reservoir – set wide open on setting #6.
- Insert cartridge into floating holder openings.
- Easy top loading access makes it a snap to replace the mineral cartridge in the holder.
- No assembly required.
- By dropping it inside your filter cartridge, filter well or skimmer, Pool Frog Mineral Reservoir works with no electricity and no hassles for four full months.
- Set it and forget it for up to 4 months.

Other Copy

- Simple {spa} {hot tub} care
- Insanely Cool {Spa} {Hot Tub} Care
- {Patented} Get Down™ {Spa} {Hot Tub} Care Technology
- {Patented} Get Down Mineral™ {Spa} {Hot Tub} Care Technology
- Get Down Mineral Technology
- Get Down Mineral Pool and {Spa} {Hot Tub} Care Technology
- Get Down Mineral {Spa} {Hot Tub} Care Technology
- Get Down Pool and {Spa} {Hot Tub} Care Technology
- Get Down {Spa} {Hot Tub} Care Technology
- Get Down
- Reduces sanitizer demand
- For bromine & chlorine
- Safe for all {spas} {hot tubs}
- Enjoy softer, cleaner water
- Enjoy clearer, cleaner {spa} {hot tub} water with the help of minerals
- Contains minerals that help to control bacteria while reducing sanitizer demand
- When combined with proven chemistry, you'll experience {spa} {hot tub} water that is clearer, cleaner and softer to the touch
- Works with bromine and chlorine
- Fits most filters
- Simple installation
- One-piece design
- Compatible with non-chlorine shock
- Installation is easy
- Insert into filter cartridge, in filter well or in skimmer.
- Lower your chlorine or bromine level to 1.0 ppm
- Replace at least every 4 months or when draining and refilling {spa} {hot tub}.
- After that time, even if upon shaking, you hear the spent media inside, it is no longer effective and must be replaced.
- Product is effective up to 4 consecutive months or when draining and refilling the {spa} {hot tub}.
- After following the simple {spa} {hot tub} care start-up program located in the back of your {spa} {hot tub} care guide, it's time to add the Pool Frog Mineral Reservoir.
- Test pH, Total Alkalinity, chlorine/bromine levels regularly with test strips. Shock after each use or at least once a week with chlorine or non-chlorine shocks.
- It is normal for a small amount of granules and dust to become dislodged from the mineral cartridge during shipment.

[All text on this page is optional]

- For use only with Softub.
- This product to be used only with Softub
- See your Softub manual for complete operating instructions
- {Patented} Mineral Spa {Sanitizer} {Disinfectant}.
- Mineral {Spa} {Hot Tub} Care is developed with technology from Frog
- {Fits} {for} Caldera Spas

Frog's Got Your Back with:

- Strong consumer benefits
- No price increase on Spa Frog products
- Free POP materials
- No price increases on Mineral Reservoirs and steps to grow your business
- By absorbing the high cost of chlorine to help protect you and your customers
- Pool Frog programs
- Spa Frog programs
- Tools to grow your business
- Strong profits
- EPA registered minerals

Minerals make all the difference {for pools} {for spas} {for hot tubs}

Consumers want to make a difference.

Get Down chlorine or bromine use up to 50%* {which exceeds consumer expectations}

Get Down work {maintenance time} {for more fun and relaxation}

Get Down problems like faded swimsuits

Get Down long term damage to pool surfaces and equipment

Minerals utilize the Frog Get Down Mineral Technology

The Get Down Mineral Technology for {spas} {hot tubs} means up to 50% less bromine use* with all the same "Get Down" benefits of less work, preventing skin irritation and easier on the {spa} {hot tub} surface.

Copy on rebate coupons

Frog \$##.## Value with X# mail in coupons {and free Frog Test Strips (\$##.## value)}

Now a clear way to see the Frog mineral value

For use with Pool Frog and Spa Frog products

Designed for low chlorine or bromine measuring down to 0.5 ppm

One bottle handles pools up to 15,000 gallons for 90 days. Two bottles handle pools from 15,000 to 30,000 gallons for 90 days.

Purchase MUST include 1 Frog Bam from any participating store.

Pack contains 6 Bac Pacs and 1 Mineral Reservoir.

Minerals cut chlorine use up to 50%

Pool Frog offers more fun with less work.

Purchase MUST include 1 Mineral Reservoir and 6 Bac Pacs from any participating store

[All text on this page is optional]

Easy Installation. No Assembly Required.

Let us Dissect This Frog For You

- Openings in cap for additional water flow
- Reminder dial for replacing every 4 months
- Scooped louvers draw water in and through minerals inside
- Bottom louvers allow clean water out
- Welded rod helps prevent breakage

Pool Frog Mineral Reservoir works together with very low levels of bromine or chlorine to control bacteria, condition the water and help neutralize pH.

Now easier to install

- Set reminder dial to the four month replacement date
- Insert Pool Frog Mineral Reservoir into filter cartridge, in filter well or in skimmer
- Lower your bromine or chlorine levels to as low as 1.0 ppm*
- Replace Pool Frog Mineral Reservoir every 4 months or when draining and refilling {spa} {hot tub}

Reminder Dial for easy-to-remember 4 month replacement
Set for 4 mos.

Minerals offer

Frog Offers More Relaxation

- Simply a more enjoyable {spa} {hot tub} experience
- Permanent rod fits almost all {spas} {hot tubs}
- Welded rod helps prevent breakage
- Inserts easily into filter
- Also works in most skimmers or filter wells

US Patent # and other US Patents and Foreign Patents pending

Patents: www.kingtechnology.com/IP

Patents: www.heycoolpool.com/IP

[All text on this page is optional]

Frog Mineral Systems Work Wonders {One-ders} {1-ders}
Frog is {the one} {a wonder}
Wonders {One-ders} {1-ders} {The one} for your water
Wonders {One-ders} {1-ders} {The one} for your workload
Wonders {One-ders} {1-ders} {The one} for you wallet

Adopt a Frog for worry free water
Adopt the Frog Technology
Take Frog home and experience softer water with a crystal clear shine
Make Frog a part of your family
When Frog's a part of your family you relax and enjoy your {pool} {spa} {hot tub} more
Let Frog keep your family happy with crystal clear water that takes less time to maintain
Frog does the work so you can enjoy more time with your family
When you adopt a Frog you adopt more than a technology. You adopt a better, easier, more fun {pool} {spa} {hot tub} environment.
Send in your adoption (warranty) card today!

Frog-tastic Water – Frog-tastic Fun!
Frog minerals reduce {chlorine} {bromine} use up to 50% for Frog-tastic water
Frog-tastic means water with a softer feel, less odors and a crystal clear shine.
Frog-tastic fun means less work with long lasting prefilled replacements and less pH monitoring.

Frog-friendly
Frog-ability
Frog-simple
Frog-mineral
Frog-complete
Frog-atude
Frog-attitude
Frog-support

Hybrid water care that's fun and easy
Hybrid water care that's Frog-tastic
Hybrid water care that's Frog-tastically fun

With hybrid water care, minerals reduce {chlorine} {bromine} use while maintaining a clean, clear {pool} {spa} {hot tub}
The 2 in 1 water care system that reduces {chlorine} {bromine} use up to 50%
In Frog's Hybrid System, minerals do a lot of the work so you need less {chlorine} {bromine}

Frog minerals {make it possible to} reduce {chlorine} {bromine} use like hybrid cars {make it possible to} reduce gas
Frog minerals with less {chlorine} {bromine} make {pool} {spa} {hot tub} care a snap so you work less and have more fun

Frog knows water – Frog knows fun
The mineral system experts
Frog – the water experts
Frog – the mineral system experts
Frog is an expert at clean clear water with 50% less {chlorine} {bromine} and less work
Frog knows you want to keep your water clean and clear and your life easy

[All text on this page is optional]

Frog knows how to do the job so you work less and enjoy your pool, {spa} {hot tub} more
Enjoy a Frog water environment
Clean clear water without the work and worry just as Frog intended
Just as Frog intended
Frogs need {want} {like} {thrive in} clean water – so do pools and {spas} {hot tubs}
Let Frog turn your {pool} {spa} {hot tub} into a water oasis
Frog minerals reduce {chlorine} {bromine} use up to 50% to turn your {pool} {spa} {hot tub}
into a water oasis.

Mineral System{s}
Mineral Hybrid System{s}
Mineral Water Care System{s}
Mineral Hybrid Water Care System{s}

Frog simple
Great water care made Frog simple
Less {chlorine} {bromine} through minerals
Frog it and leave it
Frog... in control
Frog... cruise control for your {pool} {spa} {hot tub}

Make your chlorine {bromine} last twice {2X} {two times} as long as {longer than} traditional {normal} {standard} pools {spas} {hot tubs} with Frog minerals and only 0.5 ppm {1.0 ppm} chlorine {bromine} levels.

Maintaining 0.5 ppm {1.0 ppm}, chlorine {bromine} lasts twice {2X} {two times} as long {longer} with Frog over traditional {normal} {standard} pool {spa} {hot tub} care methods.

Maintaining 0.5 ppm {1.0 ppm} rather than the standard 1.0 ppm {2.0 ppm}, chlorine {bromine} lasts twice {2X} {two times} as long {longer} with FROG.

Compared to the traditional {normal} {standard} {minimum recommended} chlorine level for pools, FROG minerals make chlorine last twice {2X} {two times} as long {longer}.

Frog Minerals double the life of your chlorine {bromine} over pools {spas} {hot tubs} on chlorine {bromine} alone.

With Frog Mineral Systems, chlorine {bromine} lasts twice {2X} {two times} as long {longer} than pools {spas} {hot tubs} on chlorine {bromine} alone.

With Frog Mineral Systems you can go twice {2X} {two times} as long {longer} between chlorine {bromine} changes compared to pools {spas} {hot tubs} on chlorine {bromine} alone.

With Frog in, you can get twice {2X} {two times} the life out of your chlorine {bromine} than {traditional} {normal} {standard} pools {spas} {hot tubs} at higher chlorine {bromine} levels.

Frog uses only half the chlorine {bromine} of {traditional} {normal} {standard} pool {spa} {hot tub} care methods.

The Frog Mineral System allows your chlorine {bromine} {chlorine or bromine} to last {twice} {2X} {two times} {as long} {longer} as {traditional} {normal} {standard} {minimum recommended} levels.

The Frog Mineral System allows one-half the chlorine {bromine} {chlorine or bromine} to be used compared to {industry standards} {{traditional} {normal} {standard} pool care methods}.

[All text on this page is optional]

Put Frog in, take half the chlorine {bromine} out that {traditional} {normal} {standard} pools {spas} {hot tubs} maintain.

With Frog minerals cutting chlorine {bromine} use by 50%, that means your chlorine {bromine} lasts twice {2X} {two times} as long {longer}!

The Frog Mineral Hybrid System uses minerals to extend the life of your chlorine - up to twice {2X} {two times} as long {longer} than pools on chlorine alone.

The 2 in 1 {two in one} water care system that helps chlorine {bromine} last twice {2X} {two times} as long {longer}.

Frog provides the 1-2 {one-two} punch: {minerals and 50% less chlorine} {with chlorine that lasts twice {2X} {two times} as long {longer}}.

Minerals and 0.5 ppm chlorine {destroys} {kills} bacteria allowing you to use up to 50% less chlorine.

Minerals and 1.0 ppm bromine {destroys} {kills} bacteria allowing you to use up to 50% less bromine.

Using minerals and up to 50% less chlorine {bromine} means {savings to you} {less work and more savings}.

Minerals and 0.5 ppm chlorine {1.0 ppm bromine} is all you need. Otherwise you use twice {2X} {two times} of what you don't want – chlorine {bromine}!

With Frog Mineral Systems, chlorine lasts twice {2X} {two times} as long as {longer than} the industry standards {{traditional} {normal} {standard} {minimum recommended} {higher} levels.} {the standard 1.0-3.0 ppm chlorine level.} {{traditional} {normal} {standard} pools.}

With Frog Mineral Systems, bromine lasts twice {2X} {two times} as long as {longer than} the industry standards {{traditional} {normal} {standard} {minimum recommended} {higher} levels.} {the standard 2.0-4.0 ppm bromine level.} {{traditional} {normal} {standard} {spas} {hot tubs}.}

To help chlorine last 2X longer use this Pool Frog Mineral Reservoir with the Pool Frog Bac Pac.

Don't forget FROG Leap Pool Wake Up! for spring openings and FROG Leap Pool Hibernation for fall closings!

Use Frog Leap Pool Wake Up! for optimal performance of your {FROG Leap } {Pool FROG System}

Use Frog Leap Pool Hibernation {for a 1-2 Winterizing Punch} {to prepare for a smother spring start-up}

Always on guard

On Guard

On Duty

What's living in your pool?

Don't share your pool with {common bacteria, bugs, pests you don't want}

Your pool party has a long list of unwanted guests.

Don't let undesirables crash your pool party

[All text on this page is optional]

Frog dial-a-sure
The lower chlorine system
Worry about your water? Go Frog for no worries.
Frog on duty
Frog never sleeps

Frog is always in the pool
The FROG System+ is always working to protect you and your family
Always in the pool--always on duty.
Don't get in the water without the Frog.
Frog twist and shout

Dial-a-Frog
Dial-a-Clear Pool
Dial-a-Clean Pool

Toss the FROG System+ in – bacteria goes out
Plop in the FROG System+ - {kick} bacteria out!
Frog works
With Frog, you know it's {clean} {clear} {sanitized} {fresh} {sparkling}

Your Pool needs Frog
Pool water needs Frog
{Pop-up, splasher, small} pools need Frog
Frog System+ in – bacteria out

Dirty water needs Frog
Frog gets it clean, keeps it clean.
FROG keeps bob bob bobbin along
FROG - Always In! – Always Clean {Clear} {Sanitized} {Fresh} {Sparkling}!
FROG - Always Cleaning So You Don't Have to!

KNOW your Pool is Clean {Clear} {Sanitized} {Fresh} {Sparkling}!
Toss it in. Leave it in.
Great Ball-O-Clean!

{Pop-up, Splasher, Small} Pools Need Cleaning Too!
Toss it in. Clean it up!
Finally! Small Pools Get Big Clean!

The easiest way to keep small pools {clean} {clear} {sanitized} {fresh} {sparkling}
Small Pools Need Big Clean!
Small Pools – Big Clean!

It's like having your own 24/7 pool service! Just dial the number to your pool size and toss it in the pool. When the FROG System turns over and stays over, simply replace the chlorine and toss it back in. It's that easy!

{A} {One of the} leader{s} in reduced-chlorine mineral water care.
Simply toss it in for weeks of worry-free water!

[All text on this page is optional]

Dual-Core system for maximum water clarity and cleanliness!
Minerals and low levels of Chlorine for a{n} {ultra} clean{er} {pool} {spa} {hot tub}
Never swim alone – take Frog with you
Clean {Clear} {Sanitized} {Fresh} {Sparkling} water starts with Frog

Fresh, sparkling water starts with FROG that kills harmful bacteria with up to half the chlorine.
Need Clean {Clear} {Sanitized} {Fresh} {Sparkling} Water? Get Frog
Don't get in the pool without Frog

For Clean Pool Water You Need Frog
Twist and Toss
Live in pool cleaner

Live in pool help
Live in pool care
Live in caretaker

{And} Minerals reduce chlorine costs to {just} pennies a day
With minerals chlorine use costs only pennies a day
FROG - Keep it in – Keep it clean
FROG keeps {cleaning} {sanitizing} {working} so you don't have to

FROG is a lazy man's best friend
Frog in – water {clean} {clear} {sanitized} {ready to go}
FROG is a pool caretaker

Satisfaction Guarantee – Like it or your money back.
Never swim without a buddy!
{The lazy man's best friend for} clear, clean water

Your partner in sanitizing pop up pools
The pairing of minerals and chlorine continuously maintains clear, clean water for weeks.
Clear, clean and easy {way to have} soft water
Put your pool in good hands!

You need a buddy that's always lending a hand to keep your water clean and clear.
{Especially made} for {pop up} {splasher} {small} {swimming} pools
Mom's love {it} {Pool Frog Mineral Reservoir}

The Frog System+ keeps {small} pools healthy
The Clean Machine
The Small Pool Must for Bacteria that Disgust!
The ESSENTIAL Small Pool Sanitizer

Kills Bacteria. Clears the Water.
The {Automatic} All-in-One Small Pool Sanitizer

[All text on this page is optional]

Cleaner water - Round the clock

The easy way to give smaller pools a bigger clean

Provides a Clean Zone in your small pool

Finally, an easy way to keep your small pool clean and clear

Protect your small pool from bacteria all day and night.

{The Frog System+ is} Always on guard {against bacteria} {- Always!} {in your {small} pool}

The Frog System+ is guarding your pool against bacteria so you don't have to

Keeping an eye out for bacteria 24/7

{The Frog System+ is} On guard in your small pool

Your front line against bacteria in your small pool

Your blockade against small pool bacteria

The automatic small pool sanitizer

The always-on small pool sanitizer

When {it} {flips} {rolls over} replace this {bottom} {half} {recharge} {insert color} {chlorine} {cartridge}

Flips over when chlorine cartridge is empty and needs to be replaced.

Replace {this} {bottom} {half} {recharge} {chlorine} {cartridge} when {flipped} {rolled} {over}

{viewable} {seen} {bottom showing}

Chlorine: Replace when {this} {chlorine} half floats up

{This is} not a toy.

Visit kingtechnology.com to find a stocking retailer

Minerals: Lasts 6 months

Turn your chlorinator into a mineral system

For {Hayward®} {Rainbow®} chlorinator users

The experience of mineral pool care without an installation

Turn your {Hayward®} {Rainbow®} {chlorinator} into a FROG {mineral system}!

Improve your water quality with precise chlorine output

No more touching chlorine tablets

No need to haul heavy buckets of chlorine

No guessing how much chlorine to use

Better than {chlorine} buckets!

{Ditch} {Buck} {Leap FROG} the {chlorine} buckets!

No more {peak and valley} {yo-yo} {up and down} {chlorination} {chlorine levels}

Get more from your {Hayward®} {Rainbow®} chlorinator by converting to FROG!

Chlorinators are old school – {it's time for} {upgrade to} FROG!

Experience a better pool care method for no more money

Reduced chlorine {solution} {technology} for {Hayward®} {Rainbow®} chlorinator users

Clean water with up to {1/2} {half} {50%} the chlorine*

{FROG} {We} keep it clean with up to {1/2} {half} {50%} the chlorine*

Frog {helps} keep{s} it clean with up to {1/2} {half} {50%} the chlorine*

Kills bacteria with up to {1/2} {half} {50%} {less} {the} chlorine*

[All text on this page is optional]

{Destroys} {Kills} {Eliminates} {harmful} bacteria with up to {½} {half} {50%} the chlorine*
Frog patrols your pool with up to {½} {half} {50%} the chlorine*
Keep {it} {your pool} clean with up to {½} {half} {50%} the chlorine*

Fights bacteria with up to {½} {half} {50%} the chlorine*
Battles bacteria with up to {½} {half} {50%} the chlorine*

{Patented technology} for {pop-up} {splasher} {inflatable} {smaller above ground} {easy set} {quick set} {frame} {metal frame} {oval frame} {ultra frame} pools up to {12'} {15'} {16'} {18'} {diameter} {3000} {4000} {5000} {6000} {gallons} {gal.}

Perfect for {keeping} {pop-up} {splasher} {inflatable} {smaller above ground} {easy set} {quick set} {frame} {metal frame} {oval frame} {ultra frame} pools {clean} {disinfected} {clear} – {1 FROG} up to {12'} {15'} {16'} {18'} {diameter} or {3000} {4000} {5000} {6000} {gallons} {gal.}

{Patented} {Proprietary} {Exclusive} {pop-up} {splasher} {inflatable} {smaller above ground} {easy set} {quick set} {frame} pool {bacterial} {protection} {technology} – {1 FROG} up to {12'} {15'} {16'} {18'} {diameter} or {3000} {4000} {5000} {6000} {gallons} {gal.}

{Designed} {Made} specifically for use in {pop-up} {splasher} {inflatable} {small above ground} {easy set} {quick set} {metal frame} {oval frame} {ultra frame} {frame} {set} pools {between {1000} {2000} gallons} {up to {16"} {18"} in diameter} {or} {and} {5,000} {6,000} gallons}.

Large pool technology {brought home to any backyard} {now available for {pop-up} {splasher} {inflatable} {small above ground} {easy set} {quick set} {metal frame} {oval frame} {ultra frame} {frame} {set} pools}.

Easy-to-follow instructions inside the box.
3 {easy} steps to keep your pool clean:
Clean pool in 3 {easy} steps

Keeping {your} {the} pool clean {is as easy as 1-2-3} {has never been so easy}
{Destroy} {Kill} {Eliminate} {harmful} bacteria {and prevent algae} in 3 easy steps
1 - Connect {algaecide}, {mineral and chlorine together} {upper and lower} halves and {select} {twist to} {appropriate} setting on Frog {based on pool size and use}
2 – {Place} {Toss} {Flip} {Throw} Frog in pool

{3 - When Frog {flips} {rolls} {over} {upside down}, {he's telling you it's time to} {change} {replace} {bottom half} {the chlorine recharge} {cartridge}
3 - Frog {flips} {rolls} {over} {upside down} when it is time to {change} {replace} {bottom half} {chlorine recharge} {cartridge}
3 - Change cartridge when {Frog flips} {flipped} {rolls over}
3- {Flips} {Rolls} {over} {upside down} when chlorine {recharge} {half} {cartridge} needs replacing}

Set, float, {flip} {rolls over}, replace {chlorine} {half} {recharge} {cartridge}
Attach {cartridge} {recharge}, select setting, float, {flip} {rolls over}, {replace cartridge} {re-cartridge} {recharge} {Adjustable dial settings}
{Attach} {Connect} and set
Re-connect and Re-Set

{It} Float{s} til{l} {flipped} {it flips} {it rolls over}
Replace {chlorine} {cartridge} {recharge} {half} {bottom}

Silver {smart} {ion} {mineral} technology plus low levels of chlorine

[All text on this page is optional]

Silver ion {minerals} {mineral technology} work{s} {in conjunction} {partner} with {low levels of} chlorine to {kill} {eliminate} {destroy} {inhibit} harmful bacteria

Minerals with low levels of chlorine destroy bacteria

Silver ion {minerals} {mineral technology} {kill}{s} {eliminate}{s} {destroy}{s} {inhibit}{s} bacteria{l} growth when used in conjunction with low levels of chlorine

When used in conjunction with low levels of chlorine, silver ion {minerals} {mineral technology} {kill}{s} {eliminate}{s} {destroy}{s} harmful bacteria {and inhibit{s} its growth}

Silver ion {boost} {action} {FROG} reduces chlorine use by 50%

Silver ion {boost} {action} {FROG} {needs} {works with} {equals} {=} 50% less chlorine

Silver ion {boost} {action} {FROG} keeps your pool clean with up to {1/2 the} {half the} {50% less} chlorine.

Silver ion chlorine technology

Silver smart chlorine reduction technology

Silver ion mineral {plus} {+} replaceable chlorine

Advantages of {using} less chlorine:

Advantages of using up to {1/2} {half} {50% less} {the} chlorine:

Up to {1/2 the} {half the} {50% less} chlorine means:

Increased enjoyment with:

{Less} {Reduced} chlorine {smell} {odor} {aroma}
Improved water {feel} {softness}

Water feels softer
Spa-like softness
Soft water feel

Crystal clear shine
Crystal clear water {looks inviting}
Sparkling clear water

You buy the pool. {We} {FROG} keep{s} it clean.

King Technology, Inc. – Improv{ing} {ed} {your} {pool} {spa} {hot tub} water

King Technology, Inc. – the {pool} {spa} {hot tub} water {experts} {patrol} {professionals}

{Chlorine} {Recharge} {Cartridge} {Bottom half} Lasts up to 3 weeks! (see instructions inside for details)

{Frog Minerals} {Top half} last{s} up to 6 months or a full season! (see instructions inside for details)

{1 – 2 punch} {Dual action} {2-Part action} against {harmful} bacteria

Fighting together to protect swimmers from {harmful} bacteria

{2-part} {Dual} action gives bacteria a 1-2 punch

Kill{ing}{s} bacteria with a 1-2 Punch

FROG {sanitizes} {does the job} {keeps it clean} for pennies a day!

The next best thing requires {50%} (a lot) more chlorine!

If your chlorine level is {2.0} {3.0} ppm, using FROG can cut your use {70%} {80%}

Self-Contained {Dual Action} {Reduced Chlorine} Pool {Care} {Sanitizer}

When it starts to turn you have a day or two before it's empty

Slowly {flips} {rolls} over to let you know it's almost empty

Flips over when {chlorine {cartridge} is} empty

[All text on this page is optional]

Early warning system built in as it takes a few days to completely {flip} {roll over}

Dual Action

{Silver Ion} Minerals + low levels of chlorine

{Silver Ion} Minerals + controlled levels of chlorine

Less chlorine hassle

Saves {you} money

No-touch chlorine cartridge

Up to 18 ft. or 6,000 gallons

Up to 15 ft. or 5,000 gallons

{For {pop-up} {easy set} {do it yourself} pools} {12 to 18} {18 to 21} {feet} {foot} {in} {diameter;} {2000 to 5000 gallons} {5000 to 10,000 gallons}

Stays clean with consistent low-levels of chlorine

{Tells you} {Let's you know} when it's empty

Complete pool care system

Conditions the water for spa-like softness

Top half lasts up to 6 months (or one season)

{Bottom half} {Chlorine} lasts about 4-6 weeks in pools up to {3000} {4000} gallons with average use or about 2-4 weeks in pools up to {5000} {6000} gallons.

Additional replacement {chlorine} cartridges sold separately

Keeping the Pool clean has never been so easy

Align arrows, twist and set for your pool size. {Set the cartridge per the} {See chart in} manual

Tie off in pool away from skimmer. Product will tip over when empty.

When empty, twist off chlorine cartridge (and recycle). Attach replacement cartridge.

Attach new {insert color} chlorine cartridge to {insert color} mineral cartridge and set back in pool.

Low Chlorine vs. Too Much Chlorine

Chlorine is by far the leading disinfectant used to kill bacteria in swimming pools because it works. But it needs to be controlled as chlorine in too high a dose can be a problem.

Keeping the right amount of chlorine in the pool promotes comfort and enjoyment.

The Pool Frog Mineral Reservoir's {patented} design manages chlorine levels in two ways.

First, it combines low-levels of chlorine with another anti-bacteria agent – {silver ion} minerals.

Together, they destroy bacteria.

Secondly, the {patented} interior design of the System controls the flow of chlorine to eliminate the too-high, too-low situations.

The result is consistent sanitation with up to half the chlorine.

{Click} {Twist} on {to replace}, {click} {twist} off {chlorine} {cartridge} {when empty}

Easy to twist off the empty cartridge and twist on a new one

Simply twist off the old {insert color} cartridge and replace

{This} {Replacement} {Chlorine} Cartridges {designed} {for} {fits} Pool Frog Mineral Reservoir}

{Clean} {Clear} water the easy way!

It's FROG but a leap ahead

Mineral pool care that's a leap ahead

Leap ahead with FROG Leap

Leap into summer

[All text on this page is optional]

Specially designed for Frog Leap mineral system users.
Flippin' amazing {pool care}

Flippin' amazing technology turns {old fashioned} {pool} {water} care upside down
{Frog} {Kills} {Destroys} {Gets rid of} bacteria {two} {2} ways {with} {silver ion minerals} {mineral ions} {minerals} {and} {plus} {low levels of} {less} {chlorine}*.
In fact, it's half as much chlorine.

{Friendly} {Easy} {pop-up} {mineral} pool care
It's {flippin'} {amazing} {exciting} {easy} {easy to use} {profitable} {cool} {awesome} {friendly} {fun} {original} {one of a kind}
THE {pop-up} {mineral} pool technology that cuts chlorine use in half*
Low - and - slow chlorine release cartridge (lasts {2} {3}-4 weeks)
Amazing mineral{s} {system} {technology} {formula} kill bacteria

Float{s} {and} {&} Flip{s} {technology} tells {user} {you} when {it's empty} {to replace the chlorine cartridge}
Mineral cartridge releases ions while chlorine cartridge releases low (0.5 ppm) levels of chlorine
Visual{ly} {out indicator} {tells you} {at a glance} {when} {the cartridge needs replacing} {it's empty} {it's time to replace}

The {no-mess, no-guess, no-stress} pool care for pop-up pools featuring FROG's {innovative} technology. Pre-filled cartridges for no mess, no guess, no stress
Prevents smelly odors and bleached {swimming} suits

No more worries about the proper dosage or handling smelly, bulky chemical{s} {buckets}. Frog Mineral Reservoir {simply floats in the pool} keep{s} {ing} the water sparkling clean, clear and soft for weeks; then flips over when {the chlorine is} empty. {Simply replace with a new chlorine cartridge.} {Saves} {Less} work and {up to 50%* less chlorine} {saves money}! It's that easy! {Saves you work and money.}

Some floaters were not built with the {adjustability} {technology} to precisely meter chlorine so they {tend to} {sometimes} dispense higher chlorine levels than is needed.
Not all floaters are built with the {technology} {adjustability} to precisely meter chlorine, which may result in the {dissension} {dissolution} {dissolving} {using} {of} more chlorine than is needed.
Standard floaters come in different sizes with different output abilities which can mean one pool has too much chlorine while another doesn't have enough.

{And} {Frog} leaves {your} water soft, clean and silky
{It's patented.} It's EPA registered
{Patented} minerals {reduce} {cuts} chlorine use up to 50%*
{Helps} {you} ensure{s} the pool {is always} {stays} {sanitized} {clear and clean}

Frog works hard for you!
Clean & Clear the easy way
Clean, Clear & Easy
{Complete} {Clear} {Clean} Water Solution

Figure A – Align arrows
Figure B – Rotate to set
Figure C – Initial Setting Chart
{The {prefilled} [insert color] Chlorine Cartridge} Lasts 3-4 weeks
{It's} New
This side up

[All text on this page is optional]

Contents: 12 Chlorine Cartridges
Retailer: Pull here to remove

Scan to learn more about FROG {Hey! Cool Pool}
www.Hey.CoolPool.com

Made in the U.S.A.

Distributed by Arch Chemicals, Inc. P.O. Box 724438 Atlanta, GA 31139-1438

“Cool” sanitizing pool care – minerals and less chlorine!
The {latest} {up to date} {innovative} {high tech} {cool} pool technology combines minerals and {low levels of} {50% less} {half the} chlorine

Minerals benefit you with:

Clean, clear, {pH balanced} water

Forget about faded swimsuits or {harsh} {smelly} odors

Silky soft, sparkling clear water

[insert color] Mineral{s} {cartridge} last{s} all summer^

^ FROG minerals last {up to} 6 months or one pool season whichever is shorter

{The FROG Mineral system+} {Minerals} scrub{s} bacteria away

{insert color} {cartridge} {side} up? It's time to replace {your chlorine cartridge}.

When it flips to {insert color} side up

{insert color} {cartridge} {side} up? FROG is working to sanitize your pool.

Water looks inviting and feels even better

Less cost {to maintain the pool}

More time for {what really matters} {fun!} {Super easy for more fun!}

{Hey! easy} mineral {sanitizing} {quality} pool care

Pool care {made easy} with {sanitizing minerals} {mineral sanitizing ions}

Sanitizing mineral pool care

Crystal clear water made easy

Hey! {our new} {cool} pool care with minerals

Uses essential minerals to sanitize and keep pH neutral

Uses sanitizing mineral ions and keeps the pH neutral

Bacteria{l} {fighting} {killing} {sanitizing} mineral ions and {low levels of} {half the} {50% less} chlorine
{protect your family} {and} {leave your water looking sparkling clear and clean}

Bacteria{l} {fighting} {killing} {sanitizing} mineral system+ {protects your family} {and} {leaves your water looking sparkling clear and clean}

Use only chlorine? Not anymore! {Patented} {Bacteria killing} Minerals {destroy bacteria}
reduc{e}{ing} {cuts} chlorine use up to 50%.*

Plop it in – wait til it flips

Plop and flip

Plop it in until it flips

Simply plop {it} in the pool – flips when {it's out} {empty}

Plop {it back} in the pool

When it flips, it's time to replace the chlorine {cartridge}

Remove {the empty} & {replace} {twist on} a new {chlorine} cartridge

Hey! less work

Hey! less chlorine

Hey! {less} {saves} money

[All text on this page is optional]

{Minerals mean less is more} {With minerals less is more} – less chlorine and more benefits
{Spend} More or less? It's your choice.

Spend less time working on your pool
No adding chlorine daily or by hand
Long lasting cartridges are easy to replace
Spend less money on “fix-it” chemicals

Mineral protection helps prevent problems
Less chlorine use equals less chlorine cost
Use less chlorine than standard pools
Water feels softer with less chlorine
Prevents bleached suits and smelly odors

Minerals – the insurance policy against a green pool
Minerals keep working even when the chlorine {level drops} {is empty}
Minerals help keep the pool from turning cloudy

Bacteria doubles every 20 minutes – the Frog System+ {stops bacteria in its tracks} {keeps bacteria at bay} {ends the bacteria growing cycle}

{Better} {Amazing} {Brilliant} {Improved} {Enhanced} {Advanced} {Quality} {First Rate} {First Class}
{Excellent} {Superior} Water – pH neutral – sparkling clear

Less {chlorine} {work} {money} {swimsuit {fading} {bleaching}} {monitoring} {worries} {hassles}
{bromine} {time} {cost} {daily {duties} {dosing} {odors} {harshness} {over dosing}

More {fun} {enjoyment} {relaxation} {softness} {pleasure} {satisfaction} {gratification} {leisure}
{recreation}

Stop! Do not mix with other products or dissolve before use.
Read precautions / first aid statements on label {before using}
Call 7 days a week (8am to 10pm Eastern Time) with questions concerning pool water care
Helpline: Call {866-HTH-POOL} {866-484-7665} toll free or visit hthpools.com
In case of medical emergency call: {800-654-6911} {800-424-9300}
Customer {call} {care} center: 800-455-4311

{Nothing is easier than} {You can't mess up} plop {in}
{Visit us at} {Learn more at} {HeyCoolPool.com} {FreshMineralWater.com}
{From} Hey! Cool Pool

{Value Pack} {Contains} {Includes}: 1 {FROG} Mineral {Cartridge} {Complete System} {and} {plus} #
{Replacement} {Prefilled} Chlorine Cartridge{s}
Complete 2 Part Cartridge System {Inside} {Included} {- Minerals and Chlorine}
{Contains} {Includes} 2 cartridges {(minerals and chlorine)} for 1 complete system
FROG is a complete system of 2 cartridges {- Minerals and Chlorine}
Duo system {of} mineral{s} {+} {and} chlorine {cartridges}

Frog fresh {mineral clean pool care} {clean and easy}
Fresh {mineral} {pool} {spa} {hot tub} {water} care
Great water care value
Refresh your {pool} {spa} {hot tub} with Frog
Frog fresh water is clean water
Freshen up your {pool} {spa} {hot tub} {bottom line} with Frog
No one says fresh like FROG

[All text on this page is optional]

Frog {keeps water} {does} fresh
Frog makes fresh – {the} mineral pool care for your customers and your business
Fresh ideas {to help grow your business} {only from Frog}

Fresh new {products} {business strategies} bring in new customers while maintaining old customers
With Frog you know {it's} {your {water's} {pool's} {spa's}} fresh
The fresh {alternative to standard water care} {way to good clean fun}

Think Fresh – Think Frog
Think Frog – Think Fresh
Keep your water Frog Fresh
Don't dump it – revive it!

Water starts fresh and stays fresh with Frog
You don't need a new pool, you need Frog {Fresh}
{Frog keeps your pool} {spring} fresh all summer long

Summer long value pack
A summer pool care value pack
Complete summer pool care inside the box

Restore your water with Frog {Fresh}
Revitalize your {backyard fun} {business} with Frog {Fresh} Mineral Pool Care
C'mon in, the water's {fresh} {clean} {clear} {inviting} {fine}

Flip {plop} Fresh
Flippin' {Frog} Fresh
Fresh as a Frog

So fresh, so clean, so clear, so easy {- Frog}
So clean, so clear, so fresh, so easy {- Frog}
The universal language of fresh - Frog

More {fresh} {refreshed}
Frog happiness
Fresh, recycle, refresh

{Frog} {Minerals} {This} {Mineral Water} Makes Chlorine... *Better?*

Chlorine is great because, well... it works! But, sometimes there really can be too much of a good thing. Too much chlorine can be **harsh**, **fading** swimming suits and **damaging** pool equipment. So we came up with a clever (and fun) alternative – *Flippin' FROG!*

We all know chlorine does the job of keeping water clean but it's not always fun to swim in. It fades suits and pool surfaces. It smells to high heaven at times. That's why we invented FROG fresh mineral water.

Flippin' FROG {uses minerals in addition to} [and/or] {creates mineral water along with} a small dose of chlorine to kill off unwanted bacteria. So, you get the benefits of chlorine, without all the negative effects} {drawbacks}! Oh, and the minerals leave your water feeling soft and silky.

[All text on this page is optional]

And no more yo-yo pH because too much chlorine can drive your pH down. A low level of chlorine {will have less effect} {keeps the pH more stable}.

You probably know that chlorine is used to keep your pool clean, but {use} {put} too much {in} and it can fade bathing suits, damage pool equipment, leave a harsh smell and ruin your summer! That's why we {put minerals in} {create mineral water with} Pool Frog Mineral Reservoir. {Minerals} {Mineral water} allow{s} us to use a much smaller amount of chlorine and still kill the unwanted bacteria. You'll love the way Pool Frog Mineral Reservoir keeps your water silky soft and crystal clear all summer!

Without the {right treatment} {proper amount of the right stuff}, all pools {and {spas} {hot tubs}} are subject to nasty bacteria growth that causes murky water and harsh smells. But, Pool Frog Mineral Reservoir's {one-two {combo} {punch} of minerals and low levels of chlorine} {mineral water with far less chlorine} deliver a knockout blow that destroys bacteria in its tracks.

On the other hand, if you treat your pool with too much chlorine, it won't be long before the kids are complaining that the water doesn't feel good and it stinks! And to add insult to injury, uncontrollable variables like outdoor temperature, swim usage, the length of the season, and rainy weather mean varying pH levels that need constant balancing.

But, we're guessing you didn't buy an {above ground} {pool} {spa} {hot tub} to become an expert in pool chemistry. You just want clean, clear water without all the fuss. We intimately know this because we're pool owners, too! That's why we invented Pool Frog Mineral Reservoir {Frog} {fresh} {mineral water}.

{Frog} Fresh
{Featuring} {Frog} Fresh mineral water
{Frog} Fresh mineral {swimming} pool water

{Frog} Fresh mineral {spa} {hot tub} water
{Frog} Fresh mineral water {made} easy
The sparkling water for any pool or {spa} {hot tub}

{Fresh Mineral Water} {Splash Therapy} {- one dip to soothe body and soul}
Fresh Mineral Water. No sweat
{Fresh} Mineral Water refreshment you can {have fun in} {relax in} {say aaahh in} {splash in} {laugh in} {smile in}

Quench your thirst for fun
Fresh Mineral Water is {easy} {less time consuming} to take care of
Frog Fresh Mineral Water. Not imported. {Refreshed} {Made fresh} in your own backyard
{Patented} mineral technology makes perfect clear water
No hard feelings with Fresh Mineral Water

Raise your glasses to Fresh Mineral Water – your sunglasses that is
Happy Hours with Fresh Mineral Water
Frog Fresh Mineral Water. On a hot day, just add fun!
Frog Fresh Mineral Water. The perfect mixer for any summer occasion

Frog Fresh Mineral Water makes any pool occasion effervescent
CRT – Chlorine Reduction Technology
A fresh perspective on {pool} {spa} water

Experience the difference of Pool Frog Mineral Reservoir
Sparkling {mineral} water for pools up to {5000} {10,000} {15,000} {25,000} {40,000} gallons

[All text on this page is optional]

Sparkling {mineral} water for {spas} {hot tubs} up to 600 gallons
Fresh {intelligence} {perspective} {start} {look} {feeling}
{Minerals} {Mineral water} make{s} a difference you can see and feel
Lasts {4} {6} full months

Relax, Laugh, Have Fun!
Watch your {grand} kids laughing, splashing and {playing} {having fun}
Feel the relaxing ahhhhh of fresh mineral water

Enhances swimmer comfort
Prevents unpleasant odors
Stress free pool care

Cheaper to maintain
Flip, Plop and forget
Forget about {pool} {spa} {hot tub} hassles and keep all the great memories!

Forget about maintenance for a few days (or weeks). It's ok – FROG is in charge
Crystal clear {pool} {spa} {hot tub} water for dummies
{Pool} {Spa} {hot tub} care for dummies

Here is what {Pool Frog Mineral Reservoir} {mineral water} users say:
"I rarely have to shock"
"very little maintenance"
"keeps water clean and clear"
"This product is so easy to use and it works well"
"keeps my pool water clean without irritating the swimmers"
"I love the Frog products, they make everything so easy."
"No harsh chlorine smell, no handling of chemicals. Simple, clean, perfect"
"Used a lot less chlorine and the filter stayed much cleaner and more efficient"
"We had some family critics who said that pools were a lot of work. NOT with Frog they aren't"
"Frog is so easy to use and has dropped the chlorine level, but kept the pool perfect."

Mineral{s} {water} replace{s} pounds of chlorine every summer
Experience the difference of FROG
The Frog Fresh Mineral Water Pool {Spa} {Hot Tub}

The Mineral Water {Swimming} {Pool} {Spa} {Hot Tub}
The Mineral Water {Swimming} {Pool} {Spa} {Hot Tub} {made easy} Guys
The Fresh Mineral Water {Swimming} {Pool} {Spa} {Hot Tub}

Crystal Clear {fresh} Mineral Water Pool
You've heard of Salt Water Pools. This is a {sparkling} {fresh} Mineral Water Pool.
It's like a whole new product - The {sparkling} {fresh} Mineral Water Pool
The difference is {crystal clear} {fresh}.

A fresh approach to keeping pool water clean - easier
A fresh approach to keeping pool water cleaner
A fresh approach to keeping pool water cleaner made easy

Go ahead - get fresh with us.
Get fresh in the pool.
Get fresh with Frog

[All text on this page is optional]

Pool boys have been really getting fresh lately.
Refresh yourself.
Get refreshed

Good clean fun - with a splash.
Why have a chlorine pool when you can swim in fresh mineral water.
Get fresh in your pool with fresh mineral water

Refreshingly {easy} {clean} {clear} {comfortable} {enjoyable}
Nice {pool} {spa} {hot tub}! Can we freshen that up for you?
Buying the pool was easy. Shouldn't taking care of the pool water be just as easy?

"Don't you hate it when you're all ready to have some fun in your pool – it's a beautiful sunny day, and the kids are all set to jump in – only to find that bacteria and algae have taken over, leaving the pool green, cloudy and too dirty to swim in. Talk about a kill joy."

We have two words to share with you – Flip Plop - the "almost too easy" way to keep your water crystal clear all summer long – from *Hey! Cool Pool*. How easy is it you ask? Well, you simply plop it in the pool and it goes to work on nasty bacteria and other things that make water cloudy, murky or worse. When it flips over it's time to replace the bottom cartridge. Then plop it back in.

Where most pool floaters use 100% chlorine, Flip Plop uses minerals, leaving you with fresh mineral water that feels softer without fading swimsuits, damaging pool surfaces or creating smelly odors. Having a mineral water pool means you're not swimming in a {chlorine} {chemical} bath like most pools. Mineral water also maintains its balance better meaning less work and greater comfort for swimmers.

This EPA registered product for water care, without all that chlorine, has been sold in larger pools for over 15 years. Now, pools as small as {1000} {2000} gallons can experience the mineral water difference.

Here's how it works. There are two cartridges. The top {insert color} cartridge provides mineral water all summer long. The {insert color} cartridge will deplete every 3-4 weeks. Simply connect the two cartridges by lining up the arrow with the unlock symbol. Then you twist to the setting that's right for your pool. There's a helpful chart in the manual with a setting for every pool size. Then plop it in the pool.

You'll know when to replace the bottom cartridge when the product flips over and the {insert color} side is up. Simply twist the top back to the unlock symbol and pull apart. Recycle the empty cartridge and lock in a new one. At the end of the summer, if the bottom cartridge still contains some ingredient, wrap in a plastic bag and store in a cool dry place for the winter. Discard the top cartridge as it is spent once removed from water (or after six months whichever comes first). Start fresh with a new system next summer.

With thousands of pool owners enjoying the benefits of fresh mineral water, we want to encourage you to take the {Flip Plop} {Flippin' FROG} challenge. Try it in your pool for 30 days and see if you don't experience softer, clearer water with less work! Then you too will be a believer in mineral water!

Enjoy clearer pool water with less work

Flip Plop is available at most Walmart stores around the country. Visit our website at HeyCoolPool.com to learn more and find a retailer in your area.

Take A Fresh Look at {Frog} Mineral Water

See What Fresh Mineral Water Is All About!

[All text on this page is optional]

Fresh Mineral Water – That’s More Like It!

{We} {Frog} {Minerals} Mineral water} make chlorine better

It's like having an entire summer's worth of pool cleaning service in the palm of your hand!

{Hard} {Tough} {on} {Kills} bacteria,

Water, made mineral-fresh!

Beyond Chlorine

It's {Flip-Plop} {Flippin' Frog} {Frog} Fresh!

Fresh-Water Fun!

Keeps water looking and feeling fresh!

{Using} {Uses} minerals to keep water looking {sparkling clean} and feeling fresh

If you just bought a{n} {above ground} pool, you NEED {this} {Pool Frog Mineral Reservoir} to make it work properly.

Chlorine is chlorine is chlorine. Everyone knows what it is and what it does. That doesn't mean everyone loves it! It's like taking medicine when you're sick. You want to get better so you take it but you hold your nose and swallow quickly in an effort to just to get it over with. Using chlorine is a little like that. It's assumed that's what you do if you own a pool or {spa} {hot tub}. You put gloves on before using then hold your breath and hope you don't spill any on your clothes! Each time you ask yourself, is there another way to do this?

There is another way. It's called fresh mineral water and it will change the way you feel about your pool or {spa} {hot tub}. Mineral water is easy on {skin} {suits}, helps protect surfaces and equipment and makes smelly pool or {spa} {hot tub} odors a thing of the past. Mineral water is refreshing and inviting because the level of chlorine in the water is greatly reduced.

Instead of a chlorine only treatment method, mineral water is a chlorine {enhancement} {alternative}. It takes what chlorine does like kill bacteria and provides what chlorine can't – soft water that's more enjoyable to swim and soak in

While chlorine has been a proven disinfectant in swimming pools and hot tubs since the 1920s, if left unchecked, it has a reputation for harshness. Anyone who has ever taken a dip in overly chlorinated water can tell you a few things about how it leaves their skin, their suits and the damage it can cause to surfaces or equipment. Most people say, "Oh well, that's just what you have to do, right?"

Wrong! There is {an alternative} {a better way} {an easier way} that cuts chlorine use up to 50% so water feels silky soft without bleaching swimming suits and with far less of those smelly odors! We call it mineral water because it uses minerals to keep the water fresh and clean. The end result is sparkling water that feels as good as it looks with far less chlorine!

Water feels silky soft without bleaching swimsuits or damaging surfaces.

We call it a chlorine {enhancement} {alternative} because when used with the EPA registered mineral formula, a low level of chlorine finishes the job without all the drawbacks. Your pool or {spa} {hot tub} experience is enhanced {with} {through} water that's clean and fresh with up to 50% less chlorine!

Fresh mineral water is only available in FROG brand products by King Technology, Inc. For {more than 15} {many} {years} {decades} we have {been helping} {helped} hundreds of thousands of people relax and enjoy their pool or {spa} {hot tub}.

Your Grand Mother thought using {all} {only} {just} chlorine was good

Frog Fresh Mineral Water is better than {all} {only} {just} chlorine

{Nothing but} {Just} {All} chlorine used to be the best thing but now there's Frog Fresh mineral water
Your Grandmother used {all} {only} {just} Chlorine. We know you love her, but {it's} time for a change

[All text on this page is optional]

Using chlorine alone has its drawbacks like faded swimsuits and smelly odors but not with Fresh Mineral Water

Time for the {all} {just} chlorine {only} challenge

Why not go Frog Fresh Mineral Water for a change

Replace your all chlorine pool with a Fresh Mineral Pool

Replace your "all chlorine pool" with Fresh Mineral Water

Water starts out fresh. Minerals help keep it fresh by destroying bacteria along with a low level of chlorine or bromine. This fresh approach {to water care} {is mineral water that} creates a pool or {spa} {hot tub} experience of relaxation and fun. Your skin feels fresh and clean – not sanitized. Your suits stay bright and fresh and your pool or {spa} {hot tub} investment lasts longer by maintaining its fresh new look. Refresh your thinking about {pool} {or} {spa} {hot tub} water {care} with the proven, problem-free, EPA registered mineral water systems from FROG.

Flippin' FROG – Fresh Mineral Water for pools up to {3000} {4000} {5000} {6000} {8000} 10,000 gallons. Simply floats in the pool and flips over when empty. Another repeat sale opportunity from FROG!

Pool FROG Above Ground – Fresh Mineral Water for pools up to {15,000} {20,000} {25,000} gallons. Easy installation, convenient no-touch replacements drive 3 repeat sales every year!

Pool FROG In Ground – Fresh Mineral Water for pools up to {30,000} {35,000} {40,000} gallons. Pool FROG XL PRO with a larger chlorine pac also available for greater satisfaction on larger pools.

Spa FROG Floating System – Fresh Mineral Water for {spas} {hot tubs} up to 600 gallons. Simple and Effective. clean, soft and sparkling clear water. Prefilled and adjustable cartridges make it easy.

FROG Test Strips – The only way to ensure {fresh mineral water with lower} {the proper} chlorine or bromine levels {for FROG mineral water products} with the ease of Dip and Read! Tests for pH and Total Alkalinity too!

Mineral Water Test Strips

Fresh {mineral} water – clean, clear

Fresh feeling – soft not harsh

Fresh ingredients – not the same old chlorine but minerals

Fresh ideas – why use chlorine alone when minerals and 1/2 the chlorine is so much better

Fresh approach - no touching, smelling or measuring chlorine

Fresh thinking – Frog's got it covered. I can relax and enjoy

Amazing product helps you get in (and out) of your above ground pool with ease.

This system takes cleaning your {pool} {spa} {hot tub} to a whole new level

Responsible moms use FROG

It's mom friendly

{The} {An} "All" chlorine alternative {that works}

Say no way to "All" chlorine

Say no to "All" Chlorine

Frog Fresh Mineral Story

Fresh Mineral Water Care

[All text on this page is optional]

The Frog Fresh Way – Revolutionary
Swim w/ Fresh Mineral Water
Floats & flips when empty
From Hey! Cool Pool comes a new product – Flip Plop

[Dealer / Trade Copy]

FROG Makes Fresh
FROG Fresh Makes Smart
A fresh twist on pool care

Fresh Products – with patented technologies and a clever twist
Fresh Markets – identifying untapped opportunities and creating solutions to serve each niche
Fresh Friends – connecting pool and {spa} {hot tub} owners with dealers through social media

Fresh Refresh Success – today's sales refreshed with profitable replacements every year
Fresh Defense – protecting dealers margins and customer retention through our MAP policy
Fresh Defense against resellers who would devalue the FROG brand

Frog Fresh has a whole new meaning. First, FROG doesn't sell minerals, it sells fresh mineral water made easy. And FROG Fresh is about a good times mindset. With FROG you're selling good times ahead in the fun zone. And if you don't sell FROG, this is a chance for a fresh start.

Every FROG product refreshes water and refreshes profits
Take a Fresh look at {Frog} Minerals
A clean win for your customers.
A clean break from the past.
Fresh {Products} {Strategies} {Thinking} {Focus} {Benefits} {Ideas} {Approach} {Feeling} {Financials}
{Profits} {Sales}

[Article Headlines]

Don't buy chlorine until you've read this first!
This plus 15 minutes per week will keep your pool water crystal
What you may not know about chlorine can make a difference in your fun in the sun!
Before you buy a salt {water pool} {generator}, you should know {this first} {about mineral water pools}
What you need to know {about mineral water pools} before you choose {a} chlorine {pool}.
Thinking {salt water} {chlorine}? Think again.
Most pool owners only clean their pool with chlorine and miss this key ingredient
What new {above ground} pool owners' don't know yet that could cost them dearly

If you just bought an {above ground} {easy set} {inflatable} pool, don't make these common mistakes
Common mistakes {above ground} pool owners make
The biggest mistake people make when they buy a new {above ground} pool is this (don't make the same mistake!)
What most people don't know about their new {above ground} pool (and how it will cost them dearly!)
What you need to know {if you just bought a{n} {above ground} pool} {before you make your pool a chlorine pool}
What you're missing if you only treat your pool with chlorine
Oops! You let your pool get too cloudy. Here's the fastest {and easiest} way to crystal clear water {again} {-easy!}.
Help! The water in my pool is green! Here's how to fix it.
Don't buy {just} chlorine for your pool until you've read this!
What sounds better to you? Chlorine water? Salt Water? or Fresh Mineral Water

[All text on this page is optional]

Which would you like better, 100% chlorine or fresh mineral water
What's a chlorine pool vs a mineral water pool?

See model number on top of box
Find the Cyclor model this fits on top of box
See your dealer for details

Use Frog Jump Start for easy {spa} {hot tub} start-up with a fizz!
{Try Frog Jump Start} {The} one dose {start-up} shock for {spas} {hot tubs} up to 500 gallons
Jump Start your {spa} {hot tub} with Frog Jump Start

Crystal Clear Pool Water {Easy}
3 Bonus Cartridges and Value Pack
Summer Value Pack with 3 Bonus Chlorine Cartridges

Specifically for {larger} {Intex style} {above ground} pools up to 10,000 gallons
Use {Flippin' FROG} {Flip Plop} for pools {up to} {2000 to} 5000 gallons and {Flippin' FROG 10K}
{Flip Plop 10K} for pools 5000 to 10,000 gallons
For {above ground} {in ground} pools {15' to 21' diameter} {(}5000 to 10,000 gallons{)}

Simply {pull} {snap} off the old cartridge and replace
Easy to replace chlorine cartridge – snap in, push the tabs to release
This mineral water solution has worked on big pools for over 15 years
Now you can get this proven effective pool care method for Intex style pools as small as 2000 gallons
Mineral water helps reduce the monitoring and adjusting you need to do to keep your water at the right balance.

It is not your old fashioned chlorine floater. Flippin' Frog provides a tested and EPA registered alternative to chlorine alone.
Mineral water cuts back on the use of and exposure to chlorine because everything is pre-measured and pre-filled. No daily fussing with adding chlorine by hand.

The {key} {secret} {to Frog's success} is fresh mineral water that {handles} {kills} tough bacteria, creates a soft feel and a crystal clear shine – all with a minimal amount of chlorine added.
Mineral water has far less chlorine in it than standard pools
Experience refreshing mineral water that's easy on skin, helps maintain pool surfaces and makes pool care easy!

It all adds up to more fun for you and your family.
Mineral water feels as good as it looks because it feels fresh not harsh
It eliminates bacteria a whole different way – with a lot less chlorine

It's easy on your clothes and easy on your nose.
Hey! When your water smells like chlorine you smell like chlorine
And unlike salt pools, it doesn't corrode metal or eat stone
Why settle for ordinary water when you can have fresh mineral water – easy.

Mineral water protects your pool or {spa} {hot tub} investment because it's easier on surfaces
Just fresh mineral water – soft and crystal clear as a mountain stream
A strong chlorine odor does not smell fresh

[All text on this page is optional]

Frog Leap Pool Wake Up! / Pool Hibernation is a 3 step convenience pack for opening pools {in the spring} or closing pools {in the fall}.

- Depth Charge is a non-chlorine shock that rids the water of contaminants
- Reveille is a chlorine shock that sets the chlorine residual in the pool
- All-Out is a 90 day algae preventative that is guaranteed to protect the pool against algae

Start by describing Fresh Mineral Water and the benefit of more fun times because:

Fresh Mineral Water feels softer and looks crystal clear.

Fresh Mineral Water doesn't fade suits or damage pool surfaces.

Fresh Mineral Water keeps the pH in line with less monitoring.

Fresh Mineral Water uses far less chlorine than standard pools.

And Fresh Mineral Water is not corrosive like salt systems.

In short, Frog Fresh Mineral Water is less hassle, allowing you to spend more time with family and friends.

The future of {pool} {spa} {hot tub} water

{Come} {You can} {feel} {see} {experience} the difference

Crystal clear and comfy

Have fun again

Water never felt this {good} {clean} {amazing}

Feel good about your {pool} {spa} {hot tub} water

The decision is clear

{Significantly} {dramatically} {reduces chlorine use} {less chlorine}

It's amazing how easy crystal clear {pool} {spa} {hot tub} water can be

Fresh Mineral Water {Easy} – {only from} {from} {by} {brought to you by} FROG

Easy crystal clear water

{Quality} {First Class} {pool} {spa} {hot tub} {fresh} {clean} {clear} {relaxing} {soft} water

{You} {Your kids} {Your family} will feel the difference

The difference you feel is clear

A difference you can {see and} feel

Splash, laugh and have fun

You can't have fresh mineral water without {FROG} {the Pool Frog Mineral Reservoir}

The only way to fresh mineral water is through the Pool Frog Mineral Reservoir

Want a mineral water pool – get FROG

Your pool should not be a chemical cocktail

Your pool should not be a weekend chemistry class

Pool maintenance should not be a weekend chemistry class

One small jump for Frog. One Frog Leap for pool care

The water you've been waiting for

Time to Change How You Think About Pool Water

You're About to Become a Water Groupie

A Whole New Reason to Get Wet

You Will Feel the Difference

Oh Yeah! There's a Difference!

Yeah! It's a Big Deal!

[All text on this page is optional]

Soak in the Softness
Come On! This Isn't Hard!
Feeeeeeel the Difference!
Cleaner, Clearer, Softer

Your Skin Will Give You a High Five
Your Skin Will Kiss You Full on the Lips
Your Skin Will Like You Better
Your Skin Will Owe You One

Your Pool Just Got Way More User Friendly
We Just Made Your Pool More User Friendly
Crystal Clear Water Only More User Friendly

The Water You've Been Wading For
It's a Love That Will Not Fade
Let the {Frog} fun begin

Fresh Mineral Water Easy is all about "er"....because with "er" you get water quality that only Frog
Fresh Mineral Water delivers.
Unless you have Fresh Mineral Water from Frog, you don't have cleaner, clearer, or softer water.

{Destroys} {Kills} bacteria {for} {to give you} crystal clear {pool} water
Softer than a pool full of kittens
Intex is a registered trademark of Intex Corporation and {is} not affiliated with {Hey! Cool Pool} {King
Technology, Inc.}

Plop Flip Plop into {the} {your} pool and watch {your} ordinary tap water become fresh mineral water
– cleaner, clearer and softer.
With less chlorine use, there's less cyanuric acid to build up in the water.

Up to 50% Less Chlorine means your CYA will build up to 50% slower
Child resistant bag
{Less exposure with} sealed packaging

Not your ordinary floater
Buy a better floater
Ridding the world of bacteria one crystal clear {pool} {hot tub} {spa} at a time
Compulsive obsessive perfectionism for your {pool} {hot tub} {spa}

Frog Forecast: Cloudy today. Crystal clear tomorrow.
At Frog we're maniacal about quality and equally obsessed about making your life easier
If your memory is cloudy, your pool will be too. Don't forget to change your Frog minerals.
Put {pool} {hot tub} {spa} bacteria on the endangered species list – change your Frog minerals every
{4} {6} months

Frog Smart Technology
35 years of water treatment innovation
Product shown is actual size

**[All text on this page is optional for marketing in conjunction with the SPA
CHLORINE DISINFECTANT EPA Reg. No. 53735-14]**

Mineral System with Smart Chlor

For cleaner, clearer and softer water that cuts the use of chlorine by 75%*

Each SmartChlor molecule contains 2 chlorine atoms – one for immediate use and one left in reserve to release as {needed} {bather load varies}

The simple science of maintaining a consistent sanitizer level

No peak and valley sanitizing

Smart Chlor creating a {reserve} {bank} of untapped chlorine that continually converts into active chlorine against bacteria

Floating {Sanitizer} {Sanitizing System} for {hot tubs} {spas}

Automatic All-in-One {Hot Tub} {Spa} Care

Complete {Hot Tub} {Spa} Care System

{Creates} Fresh Mineral Water with SmartChlor

{An} innovative slow dissolving mineral system {that destroys bacteria while using {up to 75%*} less chlorine – creating cleaner, clearer and softer water}

1 floating {spa} {hot tub} {sanitizer} {sanitizing system} + {plus} # Test Strips + {plus} {and} # Frog Jump Start {start-up shock}

Fresh Mineral Water {Easy}

An {exclusive} {unique} {proprietary} {innovative} {stand out} water care system from FROG that delivers 4 primary advantages

Cleaner because it kills bacteria two {2} ways – with minerals and a low level of chlorine

Minerals help keep the pH balanced for Clearer water that shines

Minerals condition the water for Softer {effects} {feel}

Cartridges are pre-filled {for} {no mess, no guess, no stress} making maintenance Easier.

{Learn more at} {For more advantages see} www.freshmineralwater.com

{Uses} Up to 75%* less chlorine {with no {frustrating} yo-yo chlorine levels}

Cuts chlorine use up to 75%* while maintaining a constant level

Uses only 25% of normal chlorine levels

Chlorine lasts 3X longer with SmartChlor and FROG Minerals

Shock {only} once a {per} month

The unique SmartChlor technology does the work with far less shocking

Here's a shock – No need for weekly shocking your {hot tub} {spa}

The chlorine that automatically shocks the water for 4 weeks

Self {shocking} {refreshing} {chlorinating} water care system

So little shocking, it's shocking!

Takes the shock out of {hot tub} {spa} care

No shocking the {hot tub} {spa} after each use

{Hot Tub} {Spa} Water Care – for once you're not in for a shock

Making a little chlorine go a long way

Just what you need – and no more

Because less is more

Self regulates for continuous crystal clear water

The unique chlorine reserve goes into action only when needed

[All text on this page is optional for marketing in conjunction with the SPA CHLORINE DISINFECTANT EPA Reg. No. 53735-14]

The two step chlorine that's time released to meet {hot tub} {spa} demand
When you hop in, SmartChlor goes to work keeping water clean and clear

Easy on {hot tub} {spa} surfaces with less odors
Won't fade swimsuits or dry out skin or hair
Protects your {hot tub} {spa} investment while providing a more enjoyable experience
Easy on your nose
Single color match for easy reading – {exclusively with} {only from} Test Strips
Test Strips – the only sure test for SmartChlor
Simple Go – No Go water testing only from Frog products
The easy test strips only from Frog

The innovation of SmartChlor
These benefits provided {brought to you} by {the breakthrough technology of} SmartChlor {Technology}.

The chlorine that {reacts} {responds} to {hot tub} {spa} use by maintaining a consistent chlorine level
Unlike normal chlorine that is used up when you get it, SmartChlor continues to maintain the same level
The {vigilant} {proactive} {responsive} {reactionary} chlorine that consistently protects {sanitizes your water} {keeps your water clean & clear}
When you get in, normal chlorine levels drop but SmartChlor remains constant
Fresh Mineral Water Cartridge Lasts 4 months
SmartChlor Cartridge lasts {2} {3}-4 weeks
Floats in the {hot tub} {spa}
Flips over when the SmartChlor cartridge is empty

No adding chlorine daily
No more daily spoon fulls of chlorine
Ditch the daily dosing
Eliminates a cap full a day
No daily maintenance

Stop spoon-feeding your {hot tub} {spa}! {It can take care of itself} Sporks are for drive-ins, not {spa} {hot tub} care

No measuring, no math, no doubt.
Intelligent water care
You don't have to be a genius to see it's {working} {innovative} {amazing} {smart} {not your ordinary water care} {in a class by itself}

A real breakthrough in {hot tub} {spa} {water} care. A real break for you.
All the clean without all the chlorine
No guesswork. Just less work.
{Hot Tub} {Spa} {water} care doesn't have to be so hard

To find out how you can be more @ease visit www.{website}
Whew, the honey-do-list {your to do list} just got shorter

**[All text on this page is optional for marketing in conjunction with the SPA
CHLORINE DISINFECTANT EPA Reg. No. 53735-14]**

To find out how you can shorten your honey-do {to do} list visit www.{website}

@ease at your service

Nicknamed “the butler” our innovative slow dissolving mineral system with SmartChlor for {hot tubs} {spas} will no doubt leave you more at ease

To find out how you can get your own butler visit www.{website}

Crystal clear {hot tub} {spa} – chemistry degree not required

@ease is @utomatic

Minerals Destroy Bacteria for less chlorine use

SmartChlor slowly releases chlorine when needed

Together they create Fresh Mineral Water that’s Cleaner, Clearer, Softer and Easier

The Mineral Innovation

- Reduces chlorine use up to 75%*
- Conditions the water for softness
- Easy on {spa} {hot tub} surfaces with less odors
- Lasts four full months

The Breakthrough Science {Technology} of SmartChlor

- Maintains a consistent 0.5 ppm {sanitizer} {disinfectant} {chlorine} level
- Uniquely time released with a chlorine reserve ready when needed
- Easier to test with Test Strips and one color match
- Oxidizes contaminants so far less shocking is required

How {Brand/Product} Works

- The Fresh Mineral Water Cartridge snaps together with the SmartChlor Cartridge
- It floats in the hot tub {spa} and flips over when the SmartChlor Cartridge is empty
- Replace the SmartChlor Cartridge (every {2} {3}-4 weeks) and recycle the empty one

Minerals and SmartChlor completely sanitize any hot tub {spa} with no need for ozone, UV or other devices.

Compatible with ozone {UV} if desired

Start with a freshly filled {hot tub} {spa} or convert any {hot tub} {spa} to Fresh Mineral Water with SmartChlor Technology

No corrosion issues with SmartChlor

Hassle free {hot tub} {spa} sanitization {water care} {maintenance}

Water looks and feels luxurious

SmartChlor isn’t susceptible to big swings in sanitizer levels after use. It maintains a consistent level that just works!

{Welcome to the} spoon-free zone

Step into easy

{Hot tub-life} {Spa-life}. Made easy

Take it easy on yourself

Easy-does-it

Easy-to-tell

Easy-to-see

Easy-to-understand

[All text on this page is optional for marketing in conjunction with the SPA CHLORINE DISINFECTANT EPA Reg. No. 53735-14]

Easy-to-follow
Easy-to-wow
Easy-to-read
Easy-to-decode
Easy-to-use
Relax & Enjoy

Yes, it does revolve around you
More innovation. Less stress.
More innovation. Less upkeep.
More wows. Less ughs.

The difference between {liking and loving your {spa} {hot tub} {perfect pH and pHew!} {green and clean}
How can anything this hard on bacteria feel so soft
Feel the difference
For {Hot Tubs} {Spas}

{Plus} {Also} {Includes} {#} test strips and {#} Jump Start start-up shock
{Kit} Contains, 1 Pool Frog Mineral Reservoir, 1 SPA CHLORINE DISINFECTANT, 1 FROG Jump Start start-up shock packet and 1 bottle of # Test Strips
{Kit} Contains, {3} {4} SPA CHLORINE DISINFECTANT Cartridges and {3} {4} {maintenance} {non-chlorine} shock packets

Welcome to @ease hot tub water care courtesy of FROG with Fresh Mineral Water and SmartChlor Technology. To help you get the most from your @ease System, we'd like to send you a few helpful start-up and basic maintenance tips via e-mail. Simply complete this card and throw it in the mail or visit www.kingtechnology.com and click on Join our Newsletter. If you have any questions, please call our Customer Service Department at 800-222-0169. Sign up for helpful e-mails today!

Creates Fresh Mineral Water® {that's}

- Cleaner because it kills bacteria two ways
- Clearer because it helps keep pH {in an acceptable range} {balanced}
- Softer because {minerals condition the water for softness} {there's up to 50% less {chlorine} {bromine}}
- Easier with pre-filled cartridges for no mess, {no guess, no stress} {or measuring}

Easy {Spa} {Hot Tub} Start-up

FROG Test Strips

- It's the only strip with the ideal {chlorine} {bromine} range for FROG {spas} {hot tubs}
- Most test strips show this level as too low causing confusion
- FROG Test Strips help dial in the right setting for your {spa} {hot tub}
- The result: Your Bromine Cartridges will last up to 50% longer
- Using standard test strips can lead to over {chlorination} {bromination} and wasting money
- Accurately measures the reduced bromine level of 1.0 to 2.0 ppm
- Adjust your cartridge setting to maintain the ideal FROG {chlorine} {bromine} range.
- Get a longer life to your {chlorine} {bromine} {cartridge} {pac}

FROG Jump Start

- Start-up shock removes contaminants and sets the residual

- Effervescent action helps the chlorine dissolve faster

[All text on this page is optional]

- Takes the start-up load off the Bromine Cartridge so it lasts longer
- Use when draining and re-filling the {spa} {hot tub} – up to 500 gallons
- Use for easy {spa} {hot tub} start-up

[Pool Frog Mineral Reservoir – Family of Products]

FROG HAS A... PRODUCT FOR EVERY POOL



POOL FROG®
for pools up to
40,000 gallons



POOL FROG®
for pools up to
25,000 gallons



POOL FROG® XL PRO
for pools up to 40,000 gallons



FROG BAM® 90-Day
Algae Protection



Flippin' FROG® for
pools 2,000-5,000 gallons



FROG® Test Strips
for pools and spas



Flippin' FROG® XL™ for
pools 5,000-10,000 gallons

U.S. Patent Numbers: D460,325; D460,664; 6,217,892; 6,383,507; 6,500,334; 6,551,609; 6,652,871; 7,014,780 and other U.S. and foreign patents pending.

Manufactured in the U.S.A. by **King Technology, Inc.**

530 11th Ave S, Hopkins, MN 55343
800-222-0169 • www.KingTechnology.com

20-44-2261 E03241.1553081343R5N

PRODUCT FOR EVERY SPA



SPA FROG®
In-Line Mineral System
Built In by the
Spa Manufacturer for
New Spas



FROG Jump Start®
shocks a freshly filled spa with
an effervescent action.



SPA FROG® Floating
Mineral System
Floats in Any Spa



FILTER FROG®
Fits in the
Filter Core

