

52374-12

5/6/2011

1/6



U.S. ENVIRONMENTAL PROTECTION AGENCY

Office of Pesticide Programs
Antimicrobials Division (7510P)
1200 Pennsylvania Avenue NW
Washington, D.C. 20460

EPA Reg. Number:
52374-12

Date of Issuance
MAY 6 2011

Term of Issuance:
Unconditional

Name of Pesticide
Product: Chlorine

NOTICE OF PESTICIDE:
____ Registration
 x Reregistration

(under FIFRA, as amended)

Name and Address of Registrant (include ZIP Code)

Greg Cunningham
Regulatory Compliance Coordinator
Brentag Southwest
206 East Morrow Road
Sand Springs, OK 74063

Note: Changes in labeling differing in substance from that accepted in connection with this registration must be submitted to and accepted by the Registration Division prior to use of the label in commerce. In any correspondence on this product always refer to the above EPA registration number.

On the basis of information furnished by the registrant, the above named pesticide is hereby registered/ reregistered under the Federal Insecticide, Fungicide and Rodenticide Act.

Registration is in no way to be construed as an endorsement or recommendation of this product by the Agency. In order to protect health and the environment, the Administrator, on his motion, may at any time suspend or cancel the registration of a pesticide in accordance with the Act. The acceptance of any name in connection with the registration of a product under this Act is not to be construed as giving the registrant a right to exclusive use of the name or to its use if it has been covered by others.

Based on your response to Chlorine RED, the EPA has reregistered this product. This action is taken under the authority of section 4(g) (2) of the Federal Insecticide, Fungicide and Rodenticide Acts, as amended. Reregistration under this section does not eliminate the need for continual reassessment of pesticides. The EPA may require submission of data at any time to maintain the registration of the subject product.

Signature of Approving Official:

Ms. Wanda Y Henson
Acting Product Manager Team-32
Regulatory Management Branch II
Antimicrobials Division (7510P)

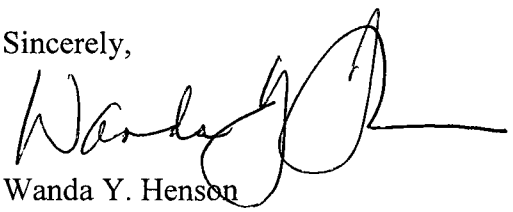
Date:
MAY 6 2011

Please submit two (2) copies of your final printed label before distributing or selling the product bearing the labeling revisions. A stamped copy of the label is enclosed for your records.

If these conditions are not complied with, the registration will be subject to cancellation in accordance with FIFRA sec.6 (e). Your release for shipment of the product constitutes acceptance of these conditions.

If you have questions concerning this matter, please contact me at (703) 308-6345 or by email at Henson.Wanda@epa.gov or contact Glen McLeod at (703)347-0181 or by email at mcleod.glen@epa.gov

Sincerely,



Wanda Y. Henson
Acting Product Manager 32
Regulatory Management Branch II
Antimicrobials Division (7510P)

CHLORINE

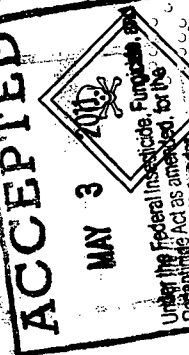
LIQUEFIED GAS UNDER PRESSURE

2.3 UN 1017

For use as a disinfectant and algaecide by experienced personnel only, in municipal water supplies, sewage and waste management plants, pulp & paper mills, cooling towers and swimming pools.

ACTIVE INGREDIENT: Chlorine 99.5%
INERT INGREDIENTS: 0.5%

KEEP OUT OF REACH OF CHILDREN



DANGER - POISON

FATAL IF INHALED.

LIQUID CAUSES SEVERE BURNS

- EPA Reg. No. 52374-12 Net Weight: 100 lbs.
 EPA Est. No. 052374-OK-001 150 lbs.
 EPA Est. No. 052374-OK-002 2000 lbs.

BRENNAG SOUTHWEST, INC.

610 Fisher Road, Longview, TX 75604

PRECAUTIONARY STATEMENTS

FIRST AID

Have the product container or label with you when calling a poison control center or doctor, or going for treatment.

IF INHALED: Move person to fresh air. If person is not breathing, call 911 or an ambulance, then give artificial respiration, preferable mouth-to-mouth, if possible. Call a poison control center or doctor for further treatment advice.

IF IN EYES: Hold eye open and rinse slowly and gently with water for 15-20 minutes. Remove contact lenses, if present, after the first 5 minutes, then continue rinsing eye. Call a poison control center or doctor for treatment advice.

IF ON SKIN OR CLOTHING: Take off contaminated clothing. Rinse skin immediately with plenty of water for 15-20 minutes. Call a poison control center or doctor for treatment advice.

IF SWALLOWED: Call a poison control center or doctor immediately for treatment advice. Have person sip from a glass of water if able to swallow. Do not induce vomiting unless told to do so by a poison control center or doctor. Do not give anything by mouth to an unconscious person.

PHYSICIAN'S NOTE: Probable mucosal damage contraindicates the use of gastric lavage.

HAZARD TO HUMANS & ANIMALS

DANGER. Highly Corrosive. Causes irreversible eye damage and

breathing, call 911 or an ambulance, then give artificial respiration, preferable mouth-to-mouth, if possible. Call a poison control center or doctor for further treatment advice.

IF IN EYES: Hold eye open and rinse slowly and gently with water for 15-20 minutes. Remove contact lenses, if present, after the first 5 minutes, then continue rinsing eye. Call a poison control center or doctor for treatment advice.

IF ON SKIN OR CLOTHING: Take off contaminated clothing. Rinse skin immediately with plenty of water for 15-20 minutes. Call a poison control center or doctor for treatment advice.

IF SWALLOWED: Call a poison control center or doctor immediately for treatment advice. Have person sip from a glass of water if able to swallow. Do not induce vomiting unless told to do so by a poison control center or doctor. Do not give anything by mouth to an unconscious person.

PHYSICIAN'S NOTE: Probable mucosal damage contraindicates the use of gastric lavage.

HAZARD TO HUMANS & ANIMALS

DANGER. Highly Corrosive. Causes irreversible eye damage and skin burns. Fatal if swallowed, inhaled, or absorbed through skin. Do not breathe vapor or get in eyes, on skin, or on clothing. Wear goggles, protective clothing and rubber gloves. Wash thoroughly with soap and water after handling and before eating, drinking, and using tobacco. Remove contaminated clothing and wash before reuse. Prolonged or frequently repeated skin contact may cause allergic reactions in some individuals.

PERSONAL PROTECTIVE EQUIPMENT

Applicators and other handlers must wear long-sleeved shirts, long pants, shoes, and socks.

IN CASE OF LEAKAGE

Under normal use-conditions, no protective eyewear, respirator, or gloves are required. However, in case of a leak, handlers must wear chemical-resistant gloves (such as any waterproof material) and a full-face canister-style (gas mask) respirator with a canister approved for chlorine (MSHA/NIOSH approval number prefix TC-14G). Since there is always the possibility of a leak, gloves and a respirator of a type specified above must be available. Gloves and a respirator are required for anyone entering into an affected area in the event of a leak.

ENVIRONMENTAL HAZARDS

This pesticide is toxic or highly toxic to fish and aquatic invertebrates. Do not discharge effluent containing this product into lakes, streams, ponds, estuaries, oceans or other waters unless in accordance with the requirements of a National Pollutant Discharge Elimination System (NPDES) permit and the permitting authority has been notified in writing prior to discharge. Do not discharge effluent containing this product to sewer systems without previously notifying the local sewage treatment plant authority. For guidance contact your State Water Board or Regional Office of the EPA.

PHYSICAL & CHEMICAL HAZARDS

Chlorine is a non-flammable gas, liquefied, under pressure. Do not drop container. Do not heat container. Keep away from intense heat or open sunlight. Corrosive to most metals in the presence of moisture.

716
FOR CHEMICAL EMERGENCY
SPILL, LEAK, FIRE, EXPOSURE OR ACCIDENT
CALL CHEMTREC DAY OR NIGHT.
800 424-9300

DIRECTIONS FOR USE

It is a violation of Federal law to use this product in a manner inconsistent with its labeling. Refer to Chlorine Institute publications for instructions on the required product use and safety procedures. Before using this product, handlers must be trained how to appropriately use respirators that conform to OSHA requirements (described in 29 CFR Part 1920.134) and how to appropriately handle and use chlorine. This product, including dispensing equipment, must be handled and used in accordance with the practices specified by all applicable product labeling and Chlorine Institute publications. Use only in well ventilated areas. The registrant is solely responsible for the safety of the servicing equipment used with this pesticide, and for the repackaging of this gas from larger containers into portable cylinders. Each repackager must obtain his own EPA Registration Number for this pesticide for this use, and his own EPA Establishment Number from the EPA. Repackagers may only dispense this product to portable containers that are appropriately labeled.

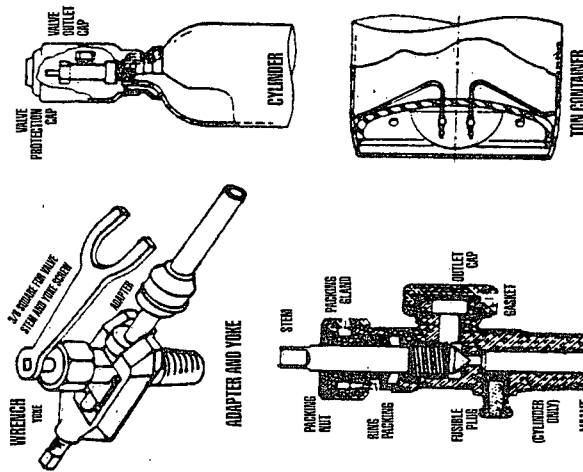
Additional Directions For Use are located in Supplemental Label.

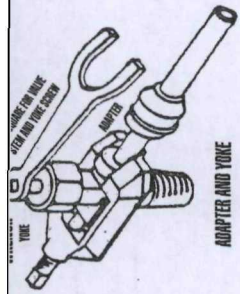
DIRECTIONS FOR USE: CHLORINE IN CONTAINERS (See Diagrams Below)

CONNECTING: Use 500 psig copper tubing fitted with special adapter to connect container to piping system. To connect line to container, remove valve protection cap and valve outlet cap. Then use wrench shown to attach tubing to valve with yoke. Use new gasket supplied with container each time connection is made. Make sure connections are tight. Check for leaks with ammonia vapor. Never use standard pipefitting.

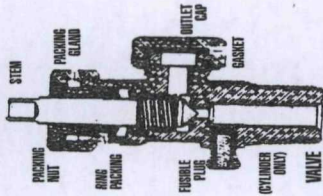
VALVE OPERATION: Turn stem one-full-turn counter-clockwise to open valve. Don't use container valve to regulate the chlorine flow. Use of valve for flow control may wear valve stem. **NEVER USE A HAMMER OR OTHER IMPLEMENTS FOR THIS PURPOSE.** Packing nut may be loosened slightly to relieve tight stem, but retighten promptly to avoid leaks.

DISCONNECTING: Close valve, test valve for leaks, apply valve outlet cap with gasket and protection hoop. Plug or cap the open end of the chlorine line immediately to keep out moisture.





ADAPTER AND YOKE



TON CONTAINER

STORAGE & DISPOSAL

STORAGE: Store cylinders and ton containers in a dry area away from sources of heat and protected from direct sunlight and precipitation. Do not store in excessive heat. Segregate chlorine containers from other compressed gases, and never store near hydrocarbons, finely divided metals such as filings or granules, turpentine, ether, anhydrous ammonia, or other flammable materials. All storage containers and cylinders must have a weather resistant label and must not be accessible to the general public. Do not drop container. If container is damaged or leaking, refer to procedures in Chlorine Institute publications and/or notify supplier immediately. Do not contaminate water, food, or feed by storage or disposal. Pesticide wastes are acutely hazardous. Improper disposal of excess pesticide, spray mixture, or rinsate is a violation of Federal Law.

LEAK PROCEDURES: Make daily inspections for leaks. Stop a leak at once, since it will become worse with time.

In case of a leak, evacuate everyone from the immediate area. For entry into the affected area to correct problem, wear personal protective equipment (including prescribed respirators) specified in the Hazard to Humans section of this labeling. When possible, move leaking or damaged cylinders outdoors or to an isolated location. Observe strict safety precautions. Work upwind, if possible. Allow any liquid chlorine to evaporate. Only correctly trained and PPE-equipped handlers are permitted to perform such cleanup. Do not permit entry into the leak area by any other person until the chlorine has completely dispersed.

DISPOSAL OF CONTAINERS: Container is returnable and must be properly identified with return tag and returned as promptly as possible to supplier according to prescribed instructions and practices in Chlorine Institute publications. All valves must be closed tight and closures or caps secured. It is illegal to ship a leaking chlorine container. Refillable container. Refill this container with chlorine only. Do not reuse this container for any other purpose. Cleaning the container before final disposal is the responsibility of the person disposing of the container. Cleaning before refilling is the responsibility of the refiller.

Maximum Usage: 30mg/L

