

MiniSILVERATOR[®]
Portable Water Treatment Unit
CAUTION: KEEP OUT OF REACH OF CHILDREN
See instructions for use.
Keep out of reach of children. Do not use if the cap is missing or damaged.
ACTIVE INGREDIENTS: Silver 0.624%
INERT INGREDIENTS: 99.376%
EPA Registration No. 37370-2
 EPA Establishment No. 37370-A
AMERICAN WATER PURIFICATION
1025 Contra Costa Blvd., Pleasant Hill, CA 94523
NET CONTENT: One miniSILVERATOR
 Portable Water Treatment unit.
*As silver metal, silver chloride, silver oxide

Unit label

MiniSILVERATOR[®] Portable Water Treatment System
consisting of the MiniBOOSTER[®] and the
MiniSILVERATOR Portable Water Treatment Unit

MiniBOOSTER	MiniSILVERATOR Portable Water Treatment Unit
ACTIVE INGREDIENT	ACTIVE INGREDIENT
Sodium Hypochlorite 4%	Silver 0.624%
INERT INGREDIENTS 96%	INERT INGREDIENTS 99.376%
	<small>*As silver metal, silver chloride, silver oxide</small>
EPA Reg. No. 37370-4 EPA Est. No. 37370 CA 01	EPA Reg. No. 37370-2 EPA Est. No. 37370 CA 01

CAUTION: KEEP OUT OF REACH OF CHILDREN
 Refer to the enclosed Instruction Manual for directions for use

NET CONTENTS: One miniBOOSTER and one miniSILVERATOR
 Portable Water Treatment Unit.

AMERICAN WATER PURIFICATION
 1025 Contra Costa Blvd., Pleasant Hill, CA 94523

ACCEPTED

Carton label for both products

RECHARGING THE miniSILVERATOR

(see Figure 4)

When you have treated approximately 1,000 gallons of water and your water no longer increases in clarity, it is time to recharge the miniSILVERATOR. This is accomplished by replacing the filter section with a new miniSILVERATOR RECHARGE.

1. Remove the 3 screws on the bottom plate of the SILVERATOR section.
2. Expel the used SILVERATOR media by tapping the water end of the unit over newspaper. Wrap up newspaper and filter contents in trash.
3. Rinse and clean the SILVERATOR section.
4. Place the miniSILVERATOR RECHARGE media into the SILVERATOR section.
5. Place the dactylon pad over the fresh media.
6. Replace the bottom retaining plate of the SILVERATOR section and reset the 3 screws.
7. Activate the new miniSILVERATOR RECHARGE media by following the initial backwash instructions.
Your miniSILVERATOR is now ready for use.

REPACKING THE miniSILVERATOR

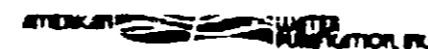
(see Figure 1)

Disassemble the miniSILVERATOR by taking the FUNNEL CUP off first. Next, lift the SILVERATOR section off and turn it upside down and nest it inside the FUNNEL CUP. Place both into the RECEIVING CUP and cover the POURING CUP. Turn the POURING CUP clockwise until it locks in place. Your miniSILVERATOR is once again ready for use.

USING THE miniBOOSTER WITH THE miniSILVERATOR

After activation, the miniSILVERATOR is ready to use anytime, anywhere. Do not use hot water, salt water, or any liquid other than water. The use of miniBOOSTER is required when treating clean water that comes from any source except municipally supplied tap water in the home. Simply add 5 drops of miniBOOSTER to the water in the POURING CUP, mix thoroughly, and allow to stand for at least 10 minutes prior to passing through the miniSILVERATOR. See label on miniBOOSTER.

The miniSILVERATOR has been thoroughly tested to insure that the silver concentration will never exceed the maximum level of 50 parts per billion allowed for potable water.



GENERAL CLASSIFICATION

It is a violation of Federal law to use this product in a manner inconsistent with its labeling.



AMERICAN WATER PURIFICATION

MI
INS'

ATOR

filter water
through the
FADOK®

part of the

to apply to the
the new style

and the
model are the

SILVERATOR

APGE and the

OR

g the FUNNEL
with an 1/2 inch
UP. Place both
NG CUP. Test
to place. Your

USING THE miniBOOSTER[®] WITH THE miniSILVERATOR

After you have the miniSILVERATOR ready to use, simply add 5 drops of miniBOOSTER to water, salt water, or any other type of water. The use of miniBOOSTER is required when treating water that comes from any source except municipally supplied tap water in the home. Simply add 5 drops of miniBOOSTER to the water in the POURING CUP, mix thoroughly, and let it stand for at least 10 minutes prior to pouring through the miniSILVERATOR. See Label on miniBOOSTER.

The miniSILVERATOR has been thoroughly tested to ensure that the silver concentration will never exceed the maximum level of 50 parts per billion allowed for potable water.



GENERAL CLASSIFICATION

**It is a violation of Federal law to use
this product in a manner inconsistent with
its labeling.**



AMERICAN WATER PURIFICATION
CO. 1000 W. 10th St. Des Moines, IA 50319

COPYRIGHT 1976 American Water Purification, Inc. PRINTED IN U.S.A.

mini SILVERATOR[®] mini BOOSTER[®] INSTRUCTION MANUAL



1000000

THE CONCEPT OF THE miniSILVERATOR PORTABLE WATER TREATMENT SYSTEM

A system is provided to purify and filter contaminated water. The system consists of the "BOOSTER" to pretreat raw water before it enters the "miniSILVERATOR" for final purification. The miniSILVERATOR filters and purifies contaminated water and produces clean, clear, drinkable water. The miniSILVERATOR is a portable water treatment system for use in the field.

HOW THE miniSILVERATOR[®] WORKS

The miniSILVERATOR operates in four stages. A water filter is used to filter the raw water. The BOOSTER is part of the pre-treatment stage. It is a simple, portable device that is used to filter the water. A substrate has been selected and used as the filtering medium. This substrate is used as the filtering medium. With this process, clean water is produced. A metal support frame is used to hold the substrate in place. The water is filtered through the substrate. The water is then filtered through the substrate. The water is then filtered through the substrate.

The miniSILVERATOR is a portable water treatment system. It is used to filter and purify contaminated water. The miniSILVERATOR is a portable water treatment system. It is used to filter and purify contaminated water. The miniSILVERATOR is a portable water treatment system. It is used to filter and purify contaminated water.

The miniSILVERATOR is a portable water treatment system. It is used to filter and purify contaminated water. The miniSILVERATOR is a portable water treatment system. It is used to filter and purify contaminated water.

The miniSILVERATOR is a portable water treatment system.

A. THE POURING CUP - This is the top cup with the pouring spout.

B. THE FUNNEL CUP - This cup acts as a receiver for the water before it passes through the SILVERATOR section.

C. THE SILVERATOR SECTION - This is the heart of the unit. It contains the miniSILVERATOR silver charcoal media. It is packed in a plastic bag and must be resealed for use.

D. THE RECEIVING CUP - This is the bottom cup. It receives the treated water after it passes through the SILVERATOR section.

The miniSILVERATOR is constructed of tough, durable plastic for a 3 to 5 year life span.

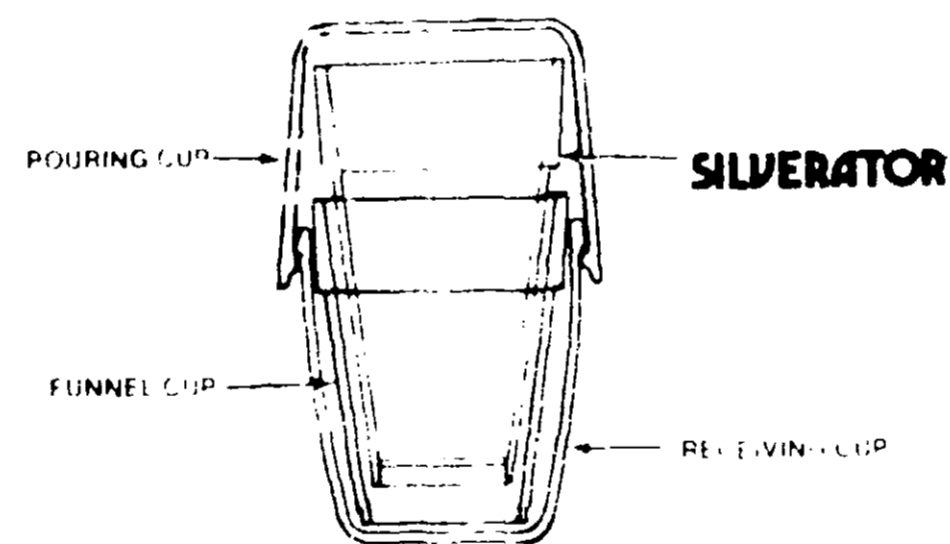


Figure 1

ASSEMBLING THE miniSILVERATOR

1. Assemble the POURING CUP and the FUNNEL CUP.
2. Separate the two plastic bags containing the SILVERATOR section and place the RECEIVING CUP in the center of the funnel cup.
3. Now place the FUNNEL CUP on the SILVERATOR section with the pouring cup. The arrow on the funnel cup should point to the SILVERATOR section.
4. Using the POURING CUP, pour water into the miniSILVERATOR. The water will be filtered through the miniSILVERATOR.

miniSILVERATOR BACKWASH PROCEDURE

1. Before using the miniSILVERATOR for the first time, the following backwash procedure is suggested:
 - a. Use a pressure washer or a garden hose to clean the top of the pouring cup.
 - b. Hold the miniSILVERATOR vertically with the wide end of the funnel cup facing down. The water will be filtered through the miniSILVERATOR.
 - c. Repeat the procedure until the water is clear and free of any debris.
2. Repeat the procedure until the water is clear and free of any debris.
3. Repeat the procedure until the water is clear and free of any debris.
4. Repeat the procedure until the water is clear and free of any debris.

miniSILVERATOR
PORTABLE WATER TREATMENT SYSTEM

RE-ACTIVATION
PROCEDURE

1. THE POURING CUP. This is the top cup with the water filter. It is the top cup with the water filter.

2. THE FUNNEL CUP. This cup acts as a receiver for the water before it passes into the SILVERATOR section.

3. THE SILVERATOR SECTION. This is the heart of the unit and is filled with SILVERATOR silver charcoal. It is marked up to allow for resting and must be treated for use.

4. THE RECEIVING CUP. This is the bottom cup. It receives the treated water after it passes through the SILVERATOR section.

The miniSILVERATOR is constructed of tough, durable plastic for long life and rugged wear.

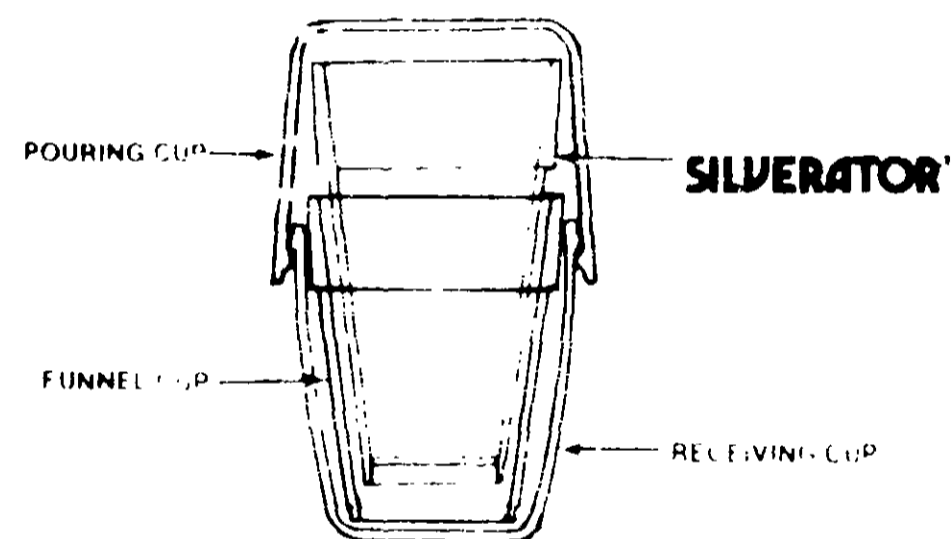


Figure 2

ASSEMBLING THE miniSILVERATOR

1. Remove the top cup from the miniSILVERATOR and place it on a flat surface.
2. Separate the two cups from the miniSILVERATOR and place them on the RECEIVING CUP. The top cup should be placed on top of the bottom cup.
3. Now place the FUNNEL CUP on the SILVERATOR section with the wide end up. The narrow end of this cup will fit into the SILVERATOR section.
4. Using the POURING CUP, pour water through the miniSILVERATOR. For the operating configuration of the miniSILVERATOR.

miniSILVERATOR BACKWASH PROCEDURE

- see Figure 3
- Before using the miniSILVERATOR for the first time, the following backwash procedure is suggested:
1. Use a pressurized water source such as a kitchen tap or a garden hose.
 2. Hold the SILVERATOR section upside down with the wide end up. There is a small hole in the center of the bottom plate.
 3. Hold the nozzle tight against the water source to force water through the hole.
 4. Remove from water and shake vigorously over the sink.
 5. Repeat the procedure to flush out the pathways of charcoal.
 6. Continue this procedure until the water flow from the unit is clear.

1. Turn the miniSILVERATOR upside down. The water filter is at the top. The water filter is at the top.



Figure 3

RE-ACTIVATING THE miniSILVERATOR

Your miniSILVERATOR will treat approximately 1000 gallons of water depending on the amount of suspended solids in the water to be treated. Periodic backwashing of the unit as described above is recommended to rejuvenate and prolong the life of the unit (see Figure 3).

