

17431 35'00-18

US ENVIRONMENTAL PROTECTION AGENCY OFFICE OF PESTICIDES PROGRAMS REGISTRATION DIVISION (75-767) WASHINGTON, DC 20460	EPA REGISTRATION NO. 35900-18	DATE OF ISSUANCE MAR 13 1996
	TERM OF ISSUANCE	
NOTICE OF PESTICIDE: <input type="checkbox"/> REGISTRATION <input type="checkbox"/> REREGISTRATION (Under the Federal Insecticide, Fungicide, and Rodenticide Act, as amended)	NAME OF PESTICIDE PRODUCT General Ionics Model 200,000 Bacteriostatic House Water Filter	
NAME AND ADDRESS OF REGISTRANT (Include ZIP code)		
Ionics, Inc. 3039 Washington Pike Bridgeville, PA 15017		
NOTE: Changes in labeling formula differing in substance from that accepted in connection with this registration must be submitted to and accepted by the Registration Division prior to use of the label in commerce. In any correspondence on this product always refer to the above U.S. EPA registration number.		
On the basis of information furnished by the registrant, the above named pesticide is hereby Registered/Reregistered under the Federal Insecticide, Fungicide, and Rodenticide Act. A copy of the labeling accepted in connection with this Registration/Reregistration is returned herewith. Registration is in no way to be construed as an indorsement or approval of this product by this Agency. In order to protect health and the environment, the Administrator, on his motion, may at any time suspend or cancel the registration of a pesticide in accordance with the Act. The acceptance of any name in connection with the registration of a product under this Act is not to be construed as giving the registrant a right to exclusive use of the name or to its use if it has been covered by others. Based on your response to the Silver Reregistration Eligibility Document, EPA has reregistered the above named product subject to the comments recorded in the succeeding paragraph. This action is taken under the authority of section 4(g)(2)(C) of the Federal Insecticide, Fungicide, and Rodenticide Act, as amended. Reregistration under this section does not eliminate the need for continual reassessment of pesticides. EPA may require submission of data at any time to maintain the registration of your product. Make the following labeling changes before you release the product for shipment: Make the following labeling changes listed below before you release the product for shipment:		
a. Add the phrase "EPA Registration No. 35900-18" b. Include the appropriate EPA Establishment No. c. Revise the statement "Removes...tap water" to read "This product is designed to remove objectionable tastes, odors, and color from municipally treated tap water."		
<input type="checkbox"/> ATTACHMENT IS APPLICABLE		
SIGNATURE OF APPROVING OFFICIAL		DATE

- 104 3
- d. Delete the phrase "General Classification" to read "Directions for Use."
 - e. Revise the statement "Inhibits the growthfilter media" to read "This product is designed to remove objectionable tastes, odors, and color from municipally treated tap water."
 - f. Place the statement "Keep Out of Reach of Children" directly above the signal word "Caution."
 - g. Place the misuse statement "It is a violation of the Federal Law to use this product in a manner inconsistent with its labeling" directly under the subheading "Directions for Use."
 - h. Delete the phrase "Filters suspended solids" from the product labeling.

The Confidential Statement of Formula dated April 11, 1994, is in compliance with PR Notice 91-2, it agrees with the label and is acceptable.

The label claim is in compliance with PR Notice 91-2 which is the nominal concentration and it agrees with the Confidential Statement of Formula and is acceptable.

A stamped copy of the labeling is enclosed for your records.

Submit one copy of final printed labeling before releasing the product in channels of trade with the revised labeling.

If these conditions are not complied with, the registration will be subject to cancellation in accordance with FIFRA sec. 6(e). Your release for shipment of the product constitutes acceptance of these conditions.

Sincerely,



Walter C. Francis
Acting Product Manager (31)
Antimicrobial Program Branch
Registration Division (7505C)

GENERAL IONICS MODEL 200,000 BACTERIOSTATIC WHOLE HOUSE WATER FILTER

For use on municipally treated tap water in the home

- Removes objectionable taste and odors
- Inhibits the growth of bacteria within the filter media bed
- ~~Eliminates lead and copper~~

CAUTION

KEEP OUT OF REACH OF CHILDREN

EPA Reg. No. 35900-18

EPA Est. No. 35900 PA 01

STORAGE: Store in closed container which excludes moisture and chemical fumes

ACTIVE INGREDIENT: Silver as metallic 0.35%

INERT INGREDIENTS: Activated Carbon 99.65%

DIRECTIONS FOR USE: See enclosed Owner's Manual and Installation Instruction Booklet.

DISPOSAL: Dispose exhausted filter media with trash.

NET CONTENTS: One (1) General Ionics Model 200,000 Bacteriostatic Whole House Water Filter.

Another fine product by the manufacturers of General Ionics Water Conditioning Equipment



3039 WASHINGTON PIKE, BRIDGEVILLE, PA 15017

ACCEPTED
with COMMENTS
in EPA Letter Decision

MAR 13 1995

Under the authority of the
Director, Office of Pesticide
Registration, U.S. Environmental
Protection Agency

35900-18

BEST COPY AVAILABLE

INSTALLATION INSTRUCTIONS - OWNER'S MANUAL

GENERAL IONICS MODEL 200,000 BACTERIOSTATIC WHOLE HOUSE WATER FILTER

It is a violation of Federal Law to use this product in a manner inconsistent with its labeling.

For use on cold water only.

INTRODUCTION

The General Ionics Model 200,000 Bacteriostatic Whole House Water Filter is specially designed to offer the following features:

1. Removes objectionable tastes, odor and color from treated municipally supplied tap water. This is accomplished by using a select grade of bituminous coal base activated carbon with exceptionally high surface area, high density, and high volume activity for maximum capacity for adsorbing tastes, odors, and colors.
2. Inhibits the growth of bacteria within the filter media bed. This is what is meant by "bacteriostatic". Since potable water can, by law, contain a certain number of harmless bacteria indigenous to municipally treated water, the potential for a buildup or growth of these bacteria trapped within the filtering medium does exist.

The low level of bacteria in tap water along with organic compounds normally present in a water supply become trapped in the filter bed medium. After a short period of time, the filter bed will contain a considerable number of bacteria, and in the presence of the organic compounds which become a source of nutrients for bacteria, this filter becomes a breeding place for bacterial growth, especially during non-flow periods when the water is not in use - such as overnight.

The inhibiting agent in the General Ionics Model 200,000 Bacteriostatic Water Filter is HYgene silver impregnated activated carbon. HYgene is a proprietary formulation manufactured by Ionics, Incorporated for over 30 years for use in potable water treatment.

ACCEPTED
with COMPLIANCE
in EPA REGULATIONS
MAR 13 1995

BEST COPY AVAILABLE

34900-18

MAR 13 1995

INSTALLATION

1. Select Location. In selecting the location, bear in mind that the filter must be installed after the water meter and must be convenient for servicing. 35900-18
2. Unpacking. The complete filter unit is shipped in two packages. One carton contains the empty mineral tank, plastic funnel for adding the mineral, one bag of quartz, three plastic leveling legs, and the installation instructions. Care should be taken in unpacking to prevent accidental loss of these components. The second carton contains the silver impregnated activated carbon media.
3. Installation. Turn main water supply off and drain system. Cut the main supply line as needed and install a 3-valve bypass as per enclosed drawing. This is mandatory as the filter valve is not equipped with a built-in bypass. After the bypass is installed, close Valve A and Valve C. Open Valve B. Turn the main water supply on. Customer will have water while you finish your installation.

CAUTION: Do not reduce the size of existing plumbing. If main incoming house line is 3/4", the unit should be installed in 3/4" copper tubing or pipe. Place the filter unit on the three plastic leveling legs provided and level.

4. Pipe Connections. Incoming house line is connected to the opening in the valve marked "Inlet". This is located on the right hand side of the filter valve. The outgoing house service line is connected to the opening in the valve marked "Outlet". This is located on the left hand side of the filter valve. Turn valve handle until indicator points to the "Filter" position. Open Valve A. Fill tank 1/4 full of water. Turn valve handle until indicator points to "Off" position. Insert plastic funnel into top opening of tank and add the bag of quartz followed by the HYgene Bacteriostatic filtering media. Turn valve handle to "Filter" position. When tank is filled, turn valve handle to "Off" position. Place cap on and tighten. Connect hose to top drain cock. Place hose in convenient drain or stationary tub. Move handle to "Backwash" position and allow unit to backwash 15 minutes or until water runs clean. Close top drain cock and turn the filter valve handle to "Filter" position. Close Valve B and open Valve C. The filter is now in operation.

NOTE: When backwashing the General Ionics Model 200,000 Bacteriostatic Whole House Water Filter, it is very important that Valve C be closed. If not, filtering media can enter into service line.

PERIODIC BACKWASHING

To maintain filtration efficiency, the General Ionics 200,000 Bacteriostatic Whole House Water Filter requires a periodic backwash average every 3-6 weeks

BEST COPY AVAILABLE

6047

PERIODIC BACKWASHING CONT'D

depending on the amount of sediment in the untreated water collected in the filter media mineral bed.

Close Valve C of the bypass assembly and open Valve B. Attach hose to upper drain cock. Place opposite end of hose in convenient drain. Turn filter valve handle to "BKW" (backwash) position. Open upper drain cock. Allow unit to backwash 15 minutes or until drain water is clear. Return valve handle to "FILTER" position. On bypass assembly, open Valve C and close Valve B. The unit is now back in service.

LIFE EXPECTANCY

The HYgene Bacteriostatic Media should be replaced after 200,000 gallon of municipally treated water has passed through the unit. Based on an average of 60 gallon per person per day, the following chart may be used to determine life expectancy.

<u>No. of Persons</u>	<u>Consumption Per Day</u>	<u>Life of Media Years</u>
2	120	4.5
4	240	2.2
6	360	1.5
8	480	1.0

Water meter reading at time of installation _____ gallons.

Expected life of Media (add) 200,000 gallons.

Water meter reading, HYgene media replacement _____ gallons.

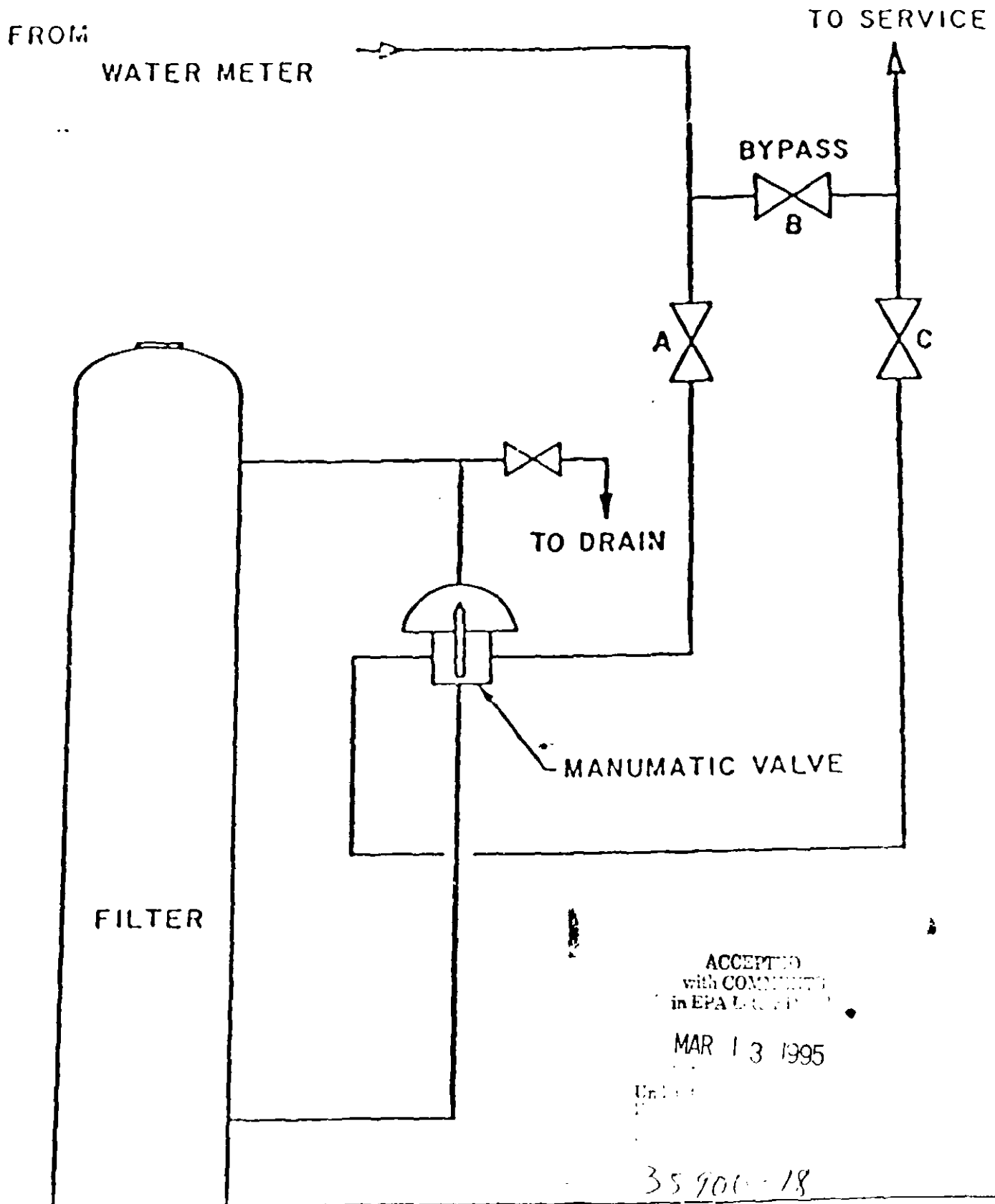
ACCEPTED
with COMMENTS
in EPA Letter Dated:

MAR 13 1995

Unit: 35900-18

35900-18

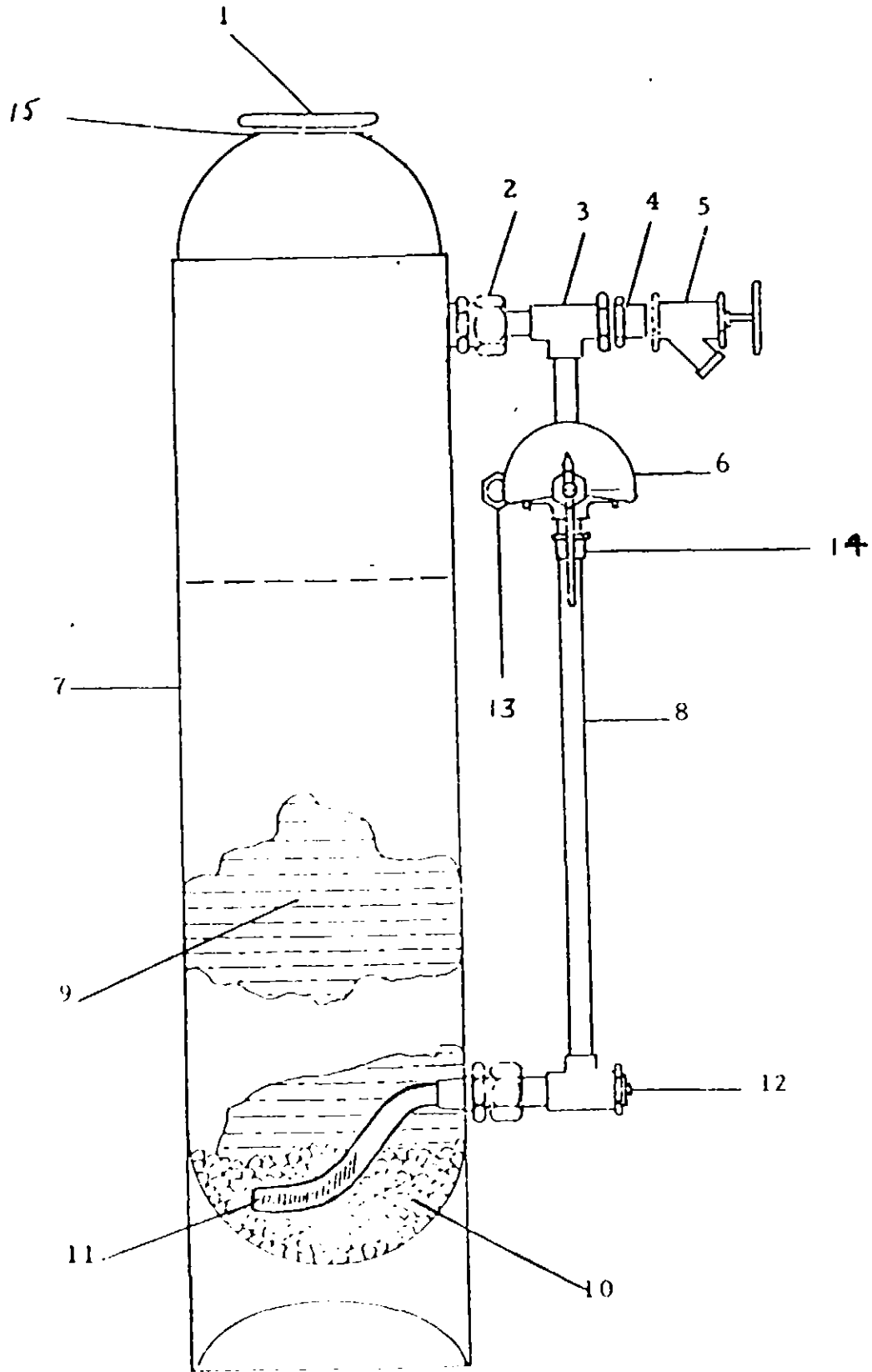
GENERAL IONICS MODEL 200,000
BACTERIOSTATIC WHOLE HOUSE WATER FILTER



TYPICAL INSTALLATION FOR FILTER UNIT

BEST-COPY AVAILABLE

GENERAL IONICS MODEL 200,000
BACTERIOSTATIC WHOLE HOUSE WATER FILTER



ACCREDITED
with CE...
in EPA LAB...

MAR 13 1995

Under...
Filter...
and...
Regulation...

35900-18

PARTS LIST

GENERAL IONICS MODEL 200,000
BACTERIOSTATIC WHOLE HOUSE WATER FILTER

<u>ITEM NO.</u>	<u>PART NO.</u>	<u>DESCRIPTION</u>
1	FB500	CAP CLOSURE
2	FB612	3/4" M X 7/8" COMPRESSION ADAPTER
3	FB626	3/4" C X 1/2" F X 3/4" C TEE
4	FB640	1/2" M X 1/2" F FLOW CONTROL (3 GPM)
5	FB605	1/2" BOILER DRAIN
6	FB350	MANUMATIC VALVE
7	FB107	8" X 44" FIBERGLASS TANK
8	FB610	3/4" COPPER TUBING
9	FB444	SPECIAL HYGENE BACTERIOSTATIC MEDIA
10	FB021	GRAVEL BED
11	FB180	8" BOTTOM TANK DISTRIBUTOR
12	FB3692	1/2" PLUG
13	FB001	3/4" M X 3/4" F 90° BRASS STREET ELBOW
14	FB002	3/4" M X 3/4" C ADAPTER
15	FB003	CLOSURE "O" RING

ACCEPTED
FOR CONSTRUCTION
BY

MAR 13 1995

U.S. DEPARTMENT OF HEALTH AND HUMAN SERVICES
FEDERAL BUREAU OF INVESTIGATION

35 900-18