

1713-4

5/29/2001

Page 1

**ACCEPTED**  
MAY 29 2001  
Under the Federal Insecticide,  
Fungicide, and Rodenticide Act  
as amended, for the pesticide  
registered under  
EPA Reg. No. 34473-4

Flowtron Mosquito Attractant

Master Label

EPA Reg. 34473-4

### Flowtron Mosquito Attractant Master Label Table

EPA Reg. # 34473-4

Product	Content (mg a.i.)	Front Label (master Label Page #)	Back Label (master Label Page #)	Container Description	Label Location	Notes
Flowtron Mosquito Attractant Product A	1660 mg	1	3	Fiber Board outer box, attractant enclosed in sealed plastic bag	Printed on outer Fiber Board box	Basic retail package sold for use only with ultra-violet light insect traps.
Flowtron Product B	1660 mg	1	4	Fiber Board outer box, attractant enclosed in sealed plastic bag	Printed on outer Fiber Board box	Basic retail package sold for use with both our carbon dioxide mosquito traps and ultraviolet insect traps.
Flowtron Product C	400 mg	1	3	Sealed in plastic bag	Printed on paper and sealed in bag with attractant	Sample <sup>®</sup> package included with certain of our ultra-violet light traps as a special promotion.
Sears, Roebuck Product A	1660 mg	1	3	Fiber Board outer box, attractant enclosed in sealed plastic bag	Printed on outer Fiber Board box	Basic retail package sold only by Sears. Front cover shows Sears logotypes and part numbers.
American Biophysics Product A	1660 mg	2	5	Sealed in plastic bag	Printed on card stock and stapled to plastic bag containing attractant	Attractant supplied to American Biophysics as a subregistrant for use with their carbon dioxide <u>Mosquito Magnet Pro</u> trap.
American Biophysics Product B	1660 mg	2	6	Sealed in plastic bag	Printed on card stock and stapled to plastic bag containing attractant	Attractant supplied to American Biophysics as a subregistrant for use with all their carbon dioxide Mosquito Magnet traps

2  
8  
8

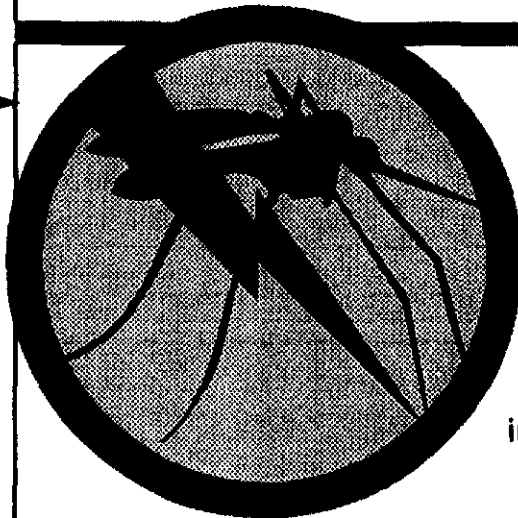
A

**FLOWTRON<sup>®</sup>  
OCTENOL**

# MOSQUITO ATTRACTANT

**For Use With All  
Electronic Insect Killers**

C



## OCTENOL

Makes your insect killer more effective in killing certain MOSQUITOES and BITING FLIES

Slow-release cartridge emits attractant when insect killer is on

Keep out of reach of children

## CAUTION

SEE BACK PANEL FOR ADDITIONAL PRECAUTIONS

<b>ACTIVE INGREDIENTS</b>	
1-OCTEN-3-OL.....	87.2%
INERT INGREDIENTS.....	32.8%
	100.0%

B

\* Contains  of 1-OCTEN-3-OL  
**Net Contents: ONE CARTRIDGE**  
SEE BACK PANEL FOR DIRECTIONS

EPA Reg. No. 34473-4  
EPA Est. No. 34473-MA-1

### LABEL VARIANCES

A: SEARS —  
FLOWTRON —

Z1 14327  
MA 1000

B: WEIGHT —  
WEIGHT —

1660 mg  
400 mg

C: SEARS & FLOWTRON —  
MOSQUITO MAGNET &  
MOSQUITO MAGNET PRO —

page 1  
page 2

# ATTRACTANT

C

## EQUIPMENT

CAUTION: Avoid contact with eyes, nose, mouth, and skin. Avoid contact with the evaporation holes. Wash thoroughly with soap and water after handling. Avoid inhalation.

## STATEMENT OF PRACTICES

TREATMENT IF INHALED: Move to fresh air. IF ON SKIN - wash affected areas with soap and water. IF IN EYES - flush with plenty of water. Call a physician if irritation develops.

## STORAGE & DISPOSAL

Storage: Store unopened attractant cartridge in a cool, dry place until ready to use. Disposal: Do not reuse attractant cartridge. Wrap attractant cartridge in several layers of newspapers and discard in trash.

## ACTIVE INGREDIENTS

1-OCTEN-3-OL.....67.2%  
INERT INGREDIENTS.....32.8%  
100.0%

\* CONTAINS 1660 mg of 1-OCTEN-3-OL

See Inside For Directions

Keep out of reach  
of children

# CAUTION

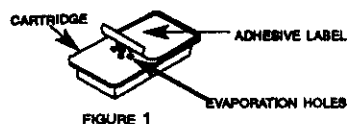
EPA REG. NO. 34473-4-  
EPA EST. NO. 34473-MA-1

**FLOWTRON**

**OCTENOL  
MOSQUITO ATTRACTANT**

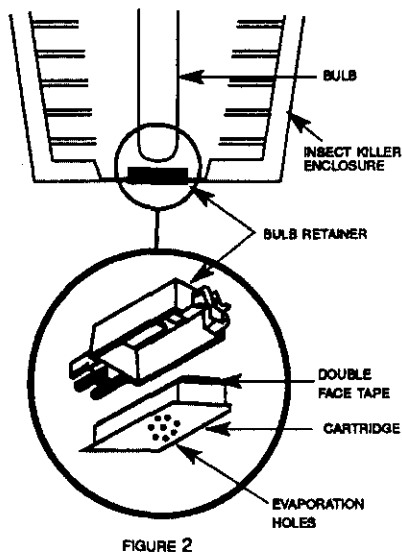
**DIRECTIONS FOR USE:** It is a violation of Federal law to use this product in a manner inconsistent with its labeling.

Remove sealed attractant cartridge from package and peel off adhesive label covering evaporation holes. (See figure 1).



Attach cartridge to insect killer using double faced adhesive tape as follows:

1. Remove double faced tape from package and peel off backing paper from one side of tape. Press tape to bottom of cartridge. (Side opposite evaporation holes).
2. Peel off backing paper from opposite side of tape and press cartridge to bulb retainer at bottom of enclosure. (See figure 2).



When your insect killer is operating, it will produce the required heat and convective air flow to vaporize the attractant and disperse it at the proper rate per hour.

For best results, replace cartridge after [ ] hours of insect killer use.

**D**

**E**

**PRECAUTIONARY STATEMENTS:**

**HAZARDS TO HUMANS AND DOMESTIC ANIMALS**

**CAUTION:** Harmful if swallowed, absorbed through the skin or inhaled. Avoid skin, mouth and eye contact with the evaporation holes. Wash thoroughly with soap and water after handling. Avoid inhalation.

**FIRST AID:** IF INHALED — move to fresh air. IF ON SKIN — wash affected areas with soap and water. IF IN EYES — flush with plenty of water. Call a physician if irritation develops.

**STORAGE & DISPOSAL:** Storage: Store unopened attractant cartridge in a cool, dry place until ready to use. Disposal: Do not reuse attractant cartridge. Wrap attractant cartridge in several layers of newspaper and discard in trash.

Manufactured by ARMATRON International, Inc., Melrose, MA 02176

**LABEL VARIANCES**

D SEARS & FLOWTRON —

Flowtron & Mosquito PowerTrap

Mosquito Magnet

Mosquito Magnet & Mosquito Magnet Pro

page 3

page 4

page 5

page 6

E: 1660 mg —

400 mg —

450

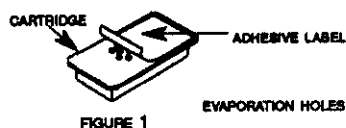
100

**FLOWTRON®**

## OCTENOL MOSQUITO ATTRACTANT

**DIRECTIONS FOR USE:** It is a violation of Federal law to use this product in a manner inconsistent with its labeling.

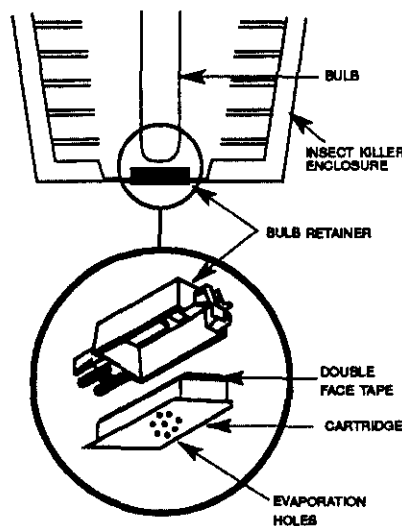
Remove sealed attractant cartridge from package and peel off adhesive label covering evaporation holes. (See figure 1).



### FOR USE WITH ELECTRONIC INSECT KILLERS

Attach cartridge to insect killer using double faced adhesive tape as follows:

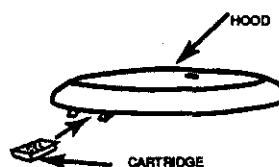
1. Remove double faced tape from package and peel off backing paper from one side of tape. Press tape to bottom of cartridge. (Side opposite evaporation holes).
2. Peel off backing paper from opposite side of tape and press cartridge to bulb retainer at bottom of enclosure. (See figure 2).



### FOR USE WITH FLOWTRON MOSQUITO POWERTRAP

Install cartridge in the Flowtron PowerTrap as follows.

1. Slide the cartridge into its holder located under the hood at the front of the unit. Install with the holes in the cartridge facing up. (See figure 3).
2. Discard double-face tape (not required with PowerTrap).



When your insect killer is operating, it will produce the required heat and convective air flow to vaporize the attractant and disperse it at the proper rate per hour.

For best results replace cartridge after  hours of insect killer use.

#### PRECAUTIONARY STATEMENTS:

#### HAZARDS TO HUMANS AND DOMESTIC ANIMALS

**CAUTION:** Harmful if swallowed, absorbed through the skin or inhaled. Avoid skin, mouth and eye contact with the evaporation holes. Wash thoroughly with soap and water after handling. Avoid inhalation.

**FIRST AID:** IF INHALED — move to fresh air. IF ON SKIN — wash affected areas with soap and water. IF IN EYES — flush with plenty of water. Call a physician if irritation develops.

**STORAGE & DISPOSAL:** Storage: Store unopened attractant cartridge in a cool, dry place until ready to use.

Disposal: Do not reuse attractant cartridge. Wrap attractant cartridge in several layers of newspaper and discard in trash.

Manufactured by ARMATRON International, Inc., Melrose, MA 02176



Sold By:  
**American Biophysics Corp.**  
*Biting Insect Technology*

2240 South County Trail  
East Greenwich, RI 02918-1536  
Ph. 401.884.3500 Fax: 401.884.8688  
mosquitomagnet.com

### Directions For Use:

*It is a violation of Federal law to use this product in a manner inconsistent with its labeling.*

**D** →

**1** Peel protective foil cover from OCTENOL cartridge.



**2** Using a coin, unscrew cover from OCTENOL carrier compartment. This is located inside the black plume chamber.



**3** Slide OCTENOL cartridge into the carrier compartment.



**4** Reverse step two to close OCTENOL carrier compartment.





Sold By:  
American Biophysics Corp.  
Biting Insect Technology

2146 South County Trail  
East Greenwich, RI 02818-1638  
Ph: 401.894.3500 Fax: 401.894.8888  
mosquitomagnet.com

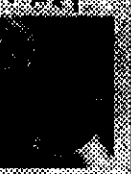
Directions for Mosquito Magnet  
of Mosquito Magnet Pro

It is a violation of Federal law to  
use this product in a manner  
inconsistent with its labeling.

**1** Peel protective lid  
away from  
OCEANO cartridge.



**2** Using a can, screw  
cover from OCEANO  
cartridge compartment.  
Insert handle in  
black plastic chamber.



**3** Open trap door by  
lifting up and  
stepping out.



**4** Set OCEANO  
cartridge into the  
drying compartment.



**5** Drop into slot.



**6** Reverse trap lid to  
close OCEANO cartridge  
compartment.



**7** Close trap door and swing in close securely.

D