

UNITED STATES ENVIRONMENTAL PROTECTION AGENCY

SEP 7 1999

Mr. Dave Stevens
Project Manager
Armatron International, Inc.
2 Main Street
Melrose, MA 02176

Subject: Label Amendment Application Adding Mosquito Magnet Use Directions;
Release Rate Data, MRID Nos. 447266-01 and 448561-01
EPA Registration No. 34473-4

Dear Mr. Stevens:

The amendment referred to above, submitted in connection with registration under the Federal Insecticide, Fungicide, and Rodenticide Act, is acceptable subject to the following:

1. Modify the statement, "Approved replacement OCTENOL cartridge for Mosquito Magnet Biting Insect Equipment", by removing the word "replacement", as the product is being used as the initial and replacement octenol cartridge for the Mosquito Magnet.
2. Under section E on page 3 of the label, replace "480 (20 DAYS)" with "450 (18 DAYS)", and "120 (5 DAYS)" with "100 (4 DAYS)", since these changes are supported by your release rate data.
3. Under section D on page 4 of the label regarding use of your product in the Mosquito Magnet, delete the statements, "As with all chemicals, avoid touching, and always wash hands thoroughly after contact", and "each time you fill your propane tank. Under normal conditions, this should be approximately".
4. Add the phrase, "hours of Mosquito Magnet use", after the E box on page 4 of the label

CONCURRENCES

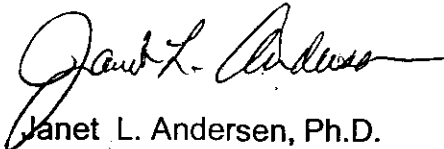
SYMBOL	7511C	7511C					
SURNAME	M... ..	Reilly					
DATE	9/17/99	9/2/99					

- 5. Replace the signal word, "Warning", with "Caution" in the Hazards to Humans and Domestic Animals section of the label.

If the conditions listed above are not complied with, the registration will be subject to cancellation in accordance with FIFRA § 6(e). Your release for shipment of the amended label constitutes acceptance of these conditions. A stamped copy of the label and the release rate reviews are enclosed for your records. Submit five (5) copies of the final printed labels before you release the amended label into commerce.

We note that you have satisfied the requirement outlined in our November 19, 1998 letter to submit release rate data for the 400 mg cartridge.

Sincerely,



Janet L. Andersen, Ph.D.
 Director
 Biopesticides and Pollution
 Prevention Division (7511C)

Enclosures

CONCURRENCES

SYMBOL							
			2				
SURNAME							
DATE							

A

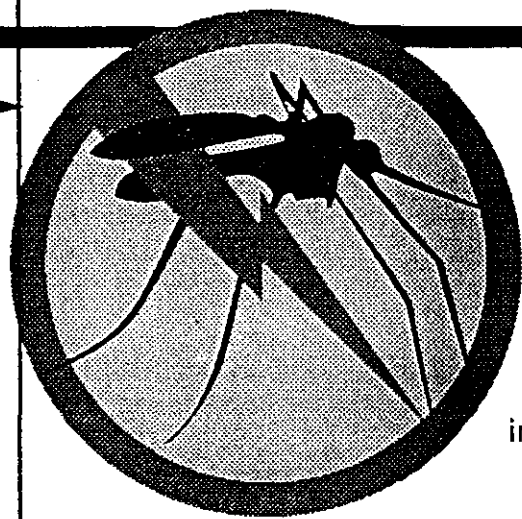
**FLOWTRON[®]
OCTENOL**



MOSQUITO ATTRACTANT

**For Use With All
Electronic Insect Killers**

C



OCTENOL

Makes your insect killer more effective in killing certain MOSQUITOES and BITING FLIES

Slow-release cartridge emits attractant when insect killer is on

ACTIVE INGREDIENTS	
1-OCTEN-3-OL.....	67.2%
INERT INGREDIENTS.....	32.8%
	100.0%

Keep out of reach of children

CAUTION

SEE BACK PANEL FOR ADDITIONAL PRECAUTIONS

B

* Contains of 1-OCTEN-3-OL
Net Contents: ONE CARTRIDGE
SEE BACK PANEL FOR DIRECTIONS

EPA Reg. No. 34473-4
EPA Est. No. 34473-MA-1

LABEL VARIANCES

A: SEARS —
FLOWTRON & MOSQUITO MAGNET—

Z1 14327
MA 1000

B: WEIGHT —
WEIGHT —

1660 mg
400 mg

C: SEARS & FLOWTRON —
MOSQUITO MAGNET —

page 1
page 2

**ACCEPTED
with COMMENTS
In EPA Letter Dated**
SEP 7 1999
Under the Federal Insecticide,
Fungicide, and Rodenticide Act
as amended, for the pesticide
registered under EPA Reg. No.
37473-4

OCTENOL



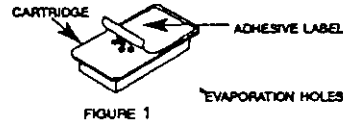
**Approved
replacement
OCTENOL
cartridge for
Mosquito Magnet
Biting Insect
Equipment**

FLOWTRON

OCTENOL MOSQUITO ATTRACTANT

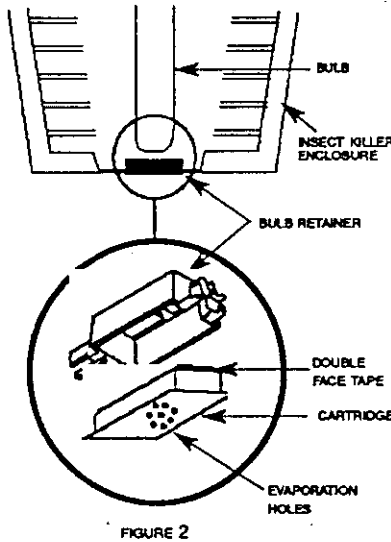
DIRECTIONS FOR USE: It is a violation of Federal law to use this product in a manner inconsistent with its labeling.

Remove sealed attractant cartridge from package and peel off adhesive label covering evaporation holes. (See figure 1).



Attach cartridge to insect killer using double faced adhesive tape as follows:

1. Remove double faced tape from package and peel off backing paper from one side of tape. Press tape to bottom of cartridge. (Side opposite evaporation holes).
2. Peel off backing paper from opposite side of tape and press cartridge to bulb retainer at bottom of enclosure. (See figure 2).



When your insect killer is operating, it will produce the required heat and convective air flow to vaporize the attractant and disperse it at the proper rate per hour.

For best results, replace cartridge after hours of insect killer use.

D

E

PRECAUTIONARY STATEMENTS:

HAZARDS TO HUMANS AND DOMESTIC ANIMALS

WARNING: Harmful if swallowed, absorbed through the skin or inhaled. Avoid skin, mouth and eye contact with the evaporation holes. Wash thoroughly with soap and water after handling. Avoid inhalation.

STATEMENT OF PRACTICAL TREATMENT: IF INHALED — move to fresh air. IF ON SKIN — wash affected areas with soap and water. IF IN EYES — flush with plenty of water. Call a physician if irritation develops.

STORAGE & DISPOSAL: Storage: Store unopened attractant cartridge in a cool, dry place until ready to use.

Dispose: Do not reuse attractant cartridge. Wrap attractant cartridge in several layers of newspaper and discard in trash.

Manufactured by ARMATRON International, Inc., Melrose, MA 02176

LABEL VARIANCES

D SEARS & FLOWTRON —

page 3

Mosquito Magnet —

page 4

E: 1660 mg —

480 (20 DAYS)

400 mg —

120 (5 DAYS)

Approved replacement OCTENOL cartridge for Mosquito Magnet Biting Insect Equipment

1. Peel protective foil cover from OCTENOL cartridge. As with all chemicals, avoid touching, and always wash hands thoroughly after contact.
2. Using a coin, unscrew cover from OCTNEOL carrier compartment. This is located inside the black plume chamber.
3. Slide OCTENOL cartridge into the carrier compartment.
4. Reverse step two to close OCTENOL carrier compartment.



D →

FOR BEST RESULTS:

Replace your OCTENOL cartridge each time you fill your propane tank. Under normal conditions, this should be approximately every

E →

