

PM 91

12/17/97

34473-4

PP 173

UNITED STATES ENVIRONMENTAL PROTECTION AGENCY

DEC 17 1997

Handwritten notes: 300, 18, 5528971

Mr. Dave Stevens
Project Manager
Armatron International, Inc.
2 Main Street
Melrose, MA 02176

Dear Mr. Stevens:

Subject: Revised Labeling Submitted in Response to EPA Letter Dated 7/31/97
EPA Registration No. 34473-4

The labeling referred to above, submitted in connection with registration under the Federal, Insecticide, Fungicide, and Rodenticide Act is acceptable subject to the following comments below.

Your last accepted label indicated that your product remains effective for 400 hours (16 1/2 days). Before you can apply to modify this claim to 4 months, you must submit supporting release rate data. Therefore, you must change "Attractant remains effective for up to four months of bug killer use" to read "Attractant remains effective for up to 400 hours of bug killer use".

A stamped copy of your label is enclosed for your records. Submit five (5) copies of the corrected final printed labels before you release the amended labeling into commerce.

Sincerely,

Handwritten signature of Janet L. Andersen

Janet L. Andersen, Ph.D.
Director
Biopesticides and Pollution

Handwritten note: PM 41

CONCURRENCE Prevention Division (7511W)

SYMBOL	Enclosure	7511W					
SURNAME	Maddox	[Signature]					
DATE	12/16/97	12/15/97					

FLOWTRON[®]

OCTENOL
*MA-1000



MOSQUITO ATTRACTANT

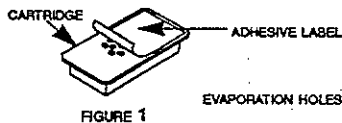
FITS MODELS:



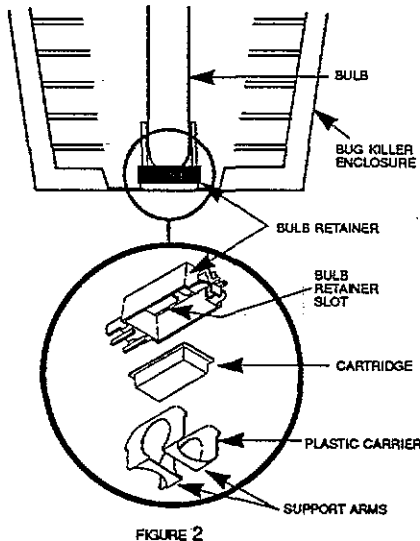
C

DIRECTIONS FOR USE: It is a violation of Federal law to use this product in a manner inconsistent with its labeling.

Remove sealed attractant cartridge from carton and peel off adhesive label covering evaporation holes. (See figure 1).



Place cartridge inside the "U" of the plastic carrier with the evaporation holes facing up. Slide the plastic carrier into the bulb retainer so that the ends of the carrier protrude through the slots of the bulb retainer. (See figure 2).



To remove the attractant cartridge, press ONE plastic carrier support arm towards the center and pull down. This will rotate the carrier out of the bulb retainer.

When your insect killer is operating, it will produce the required heat and convective air flow to vaporize the attractant and disperse it at the proper rate per hour.

PRECAUTIONARY STATEMENTS:

HAZARDS TO HUMANS AND DOMESTIC ANIMALS

CAUTION: Harmful if swallowed, absorbed through the skin or inhaled. Avoid skin and eye contact with the evaporation holes. Wash thoroughly with soap and water after handling. Avoid inhalation.

STATEMENT OF PRACTICAL TREATMENT: IF INHALED — move to fresh air. IF ON SKIN — wash affected areas with soap and water. IF IN EYES — flush with plenty of water. Call a physician if irritation develops.

STORAGE & DISPOSAL: Storage: Store unopened attractant cartridge in a cool, dry place until ready to use.

Disposal: Do not reuse attractant cartridge. Wrap attractant cartridge in several layers of newspaper and discard in trash.

Manufactured by ARMATRON International, Inc., Melrose, MA 02176

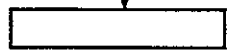
LABEL VARIANCES

C: SEARS OR FLOWTRON	—	14015, 14020, 14024, 14040, 14041, 14042, 14043, 14044, 14048, 14051, 14080, 14081, 14083, 14084, 140340, 14342
	—	BK-15, BK-25, BK-40, BK-50, BK-80 AND PM 1500 MODELS

FLOWTRON[®]
OCTENOL
MA-1000

FOR USE WITH
Electronic Insect Killers
(FITS MODELS LISTED ON BACK)

A



B



NEW
MOSQUITO
ATTRACTANT



Makes your insect killer more effective in killing certain MOSQUITOES and biting flies

Attractant remains effective for up to four months of bug killer use

ACTIVE INGREDIENTS	
1-OCTEN-3-OL.....	67.2%
INERT INGREDIENTS.....	32.8%
	100.0%

KEEP OUT OF REACH OF CHILDREN

CAUTION:

SEE BACK PANEL FOR ADDITIONAL PRECAUTIONS

* Contains 1.66 grams of 1-OCTEN-3-OL
Net Contents: ONE CARTRIDGE
SEE BACK PANEL FOR DIRECTIONS

EPA Reg. No. 34473-4
EPA Est. No. 34473-MA-1

LABEL VARIANCES

A: SEARS	—	<input type="text" value="71 14327"/>
OR		
FLOWTRON	—	<input type="text" value="MA 1000"/>
B: SEARS	—	<input type="text" value="SEARS"/>
OR		
FLOWTRON	—	<input type="text" value="FLOWTRON"/>

ACCEPTED
with COMMENTS
In EPA Letter Dated

DEC 17 1997
Under the Federal Insecticide,
Fungicide, and Rodenticide Act
as amended, for the pesticide
registered under EPA Reg. No.
34473-4

34473-4