

UNITED STATES ENVIRONMENTAL PROTECTION AGENCY

301 / 551 2544  
18

OCT 4 1996

Mr. Dave Stevens  
Project Manager  
Armatron International, Inc.  
2 Main Street  
Melrose, MA 02176

Dear Mr. Stevens:

Subject: Proposed Label Modifications to the Flowtron® Octenol  
Mosquito Attractant Submitted with Letter Dated 9/19/96  
EPA Registration No. 34473-4

The labeling referred to above, submitted in connection with registration under the Federal Insecticide, Fungicide, and Rodenticide Act, as amended, is acceptable provided that the block of text listed below is modified by changing "A:" to "B:".

A: SEARS - SEARS  
OR  
FLOWTRON - FLOWTRON

Submit five (5) copies of the final printed labeling prior to releasing the product for shipment.

If these conditions are not complied with, the registration will be subject to cancellation in accordance with FIFRA § 6(e). Your release for shipment of the amended product constitutes acceptance of these conditions. A stamped copy of the label is enclosed for your records.

Sincerely,

*Janet L. Andersen*

Janet L. Andersen  
Acting Director  
Biopesticides and Pollution  
Prevention Division (7501W)

CONCURRENCES							
SYMBOL	Flow						
SURNAME	Manders						
DATE	10/4/96						

**FLOWTRON<sup>®</sup>**  
OCTENOL  
MA-1000

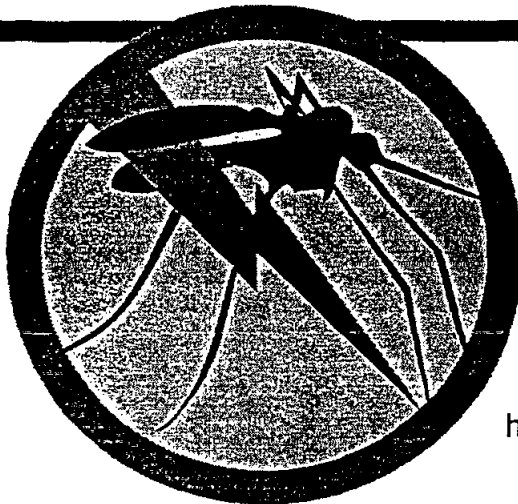
FOR USE WITH

**Electronic Insect Killers**

(FITS MODELS LISTED ON BACK)

**NEW**

# MOSQUITO ATTRACTANT



Makes your insect killer more effective in killing certain MOSQUITOES and biting flies

Attractant remains effective for up to 400 hours of bug killer use

**ACTIVE INGREDIENTS**

1-OCTEN-3-OL.....	67.2%
INERT INGREDIENTS.....	32.8%
	100.0%

\* Contains 1.66 grams of 1-OCTEN-3-OL

**Net Contents: ONE CARTRIDGE**

SEE BACK PANEL FOR DIRECTIONS

KEEP OUT OF REACH OF CHILDREN

**CAUTION:**

SEE BACK PANEL FOR ADDITIONAL PRECAUTIONS

EPA Reg. No. 34473-4  
EPA Est. No. 34473-MA-1

**LABEL VARIANCES**

A: SEARS	—	Z1 14327
OR		
FLOWTRON	—	MA 1000
A: SEARS	—	SEARS
OR		
FLOWTRON	—	FLOWTRON

**ACCEPTED**  
with **COMMENTS**  
In EPA Letter Dated

OCT 4 1995  
Under the Federal Insecticide,  
Fungicide, and Rodenticide Act  
as amended, for the pesticide  
registered under EPA Reg. No.  
34473-4

# FLOWTRON®

OCTENOL

\*MA-1000



## MOSQUITO ATTRACTANT

FITS MODELS:



**DIRECTIONS FOR USE:** It is a violation of Federal law to use this product in a manner inconsistent with its labeling.

Remove sealed attractant cartridge from carton and peel off adhesive label covering evaporation holes. (See figure 1).

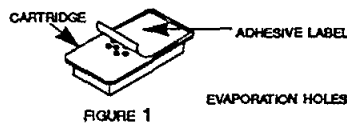


FIGURE 1

Place cartridge inside the "U" of the plastic carrier with the evaporation holes facing up. Slide the plastic carrier into the bulb retainer so that the ends of the carrier protrude through the slots of the bulb retainer. (See figure 2).

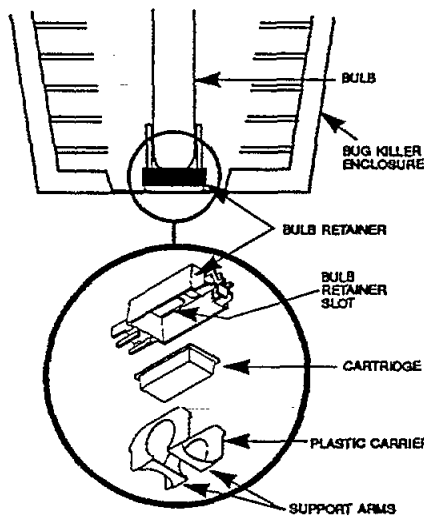


FIGURE 2

To remove the attractant cartridge, press ONE plastic carrier support arm towards the center and pull down. This will rotate the carrier out of the bulb retainer.

When your insect killer is operating, it will produce the required heat and convective air flow to vaporize the attractant and disperse it at the proper rate per hour.

**STORAGE & DISPOSAL:** Storage: Store unopened attractant cartridge in a cool, dry place until ready to use.

Disposal: Do not reuse attractant cartridge. Wrap attractant cartridge in several layers of newspaper and discard in trash.

**CAUTION:** Harmful if swallowed, absorbed through the skin or inhaled. Avoid skin and eye contact with the evaporation holes. Wash thoroughly with soap and water after handling. Avoid inhalation.

**STATEMENT OF PRACTICAL TREATMENT:** IF INHALED — move to fresh air. IF ON SKIN — wash affected areas with soap and water. IF IN EYES — flush with plenty of water. Call a physician if irritation develops.

Manufactured by ARMATRON International, Inc., Melrose, MA 02176

### LABEL VARIANCES

C: SEARS	—	14015, 14020, 14024, 14040, 14041, 14042, 14043, 14044, 14048, 14051, 14080, 14081, 14083, 14084, 140340, 14342
OR		
FLOWTRON	—	BK-15, BK-25, BK-40, BK-50, BK-80 AND PM 1500 MODELS