



ARCO CHEMICAL CORP.

4871 N. 119th STREET MILWAUKEE, WIS. 53229

POISON



ARCO CHEMICAL CORP.

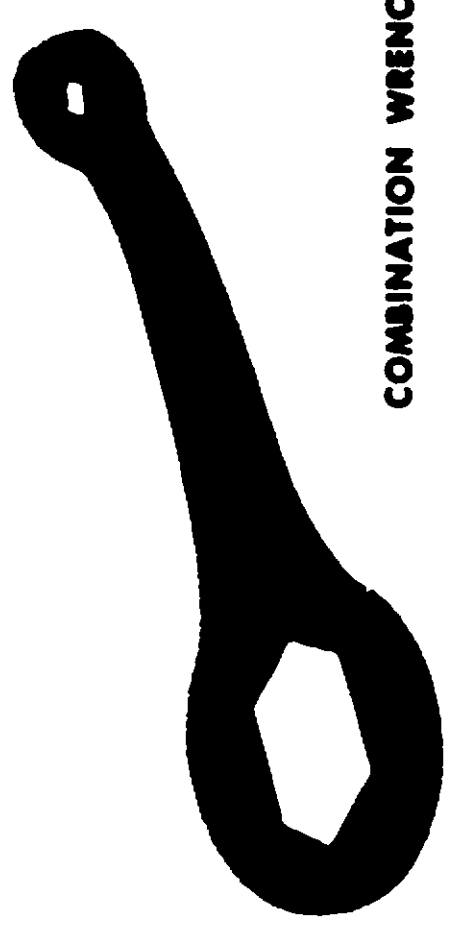
4871 N. 119th STREET MILWAUKEE, WIS. 53229

POISON

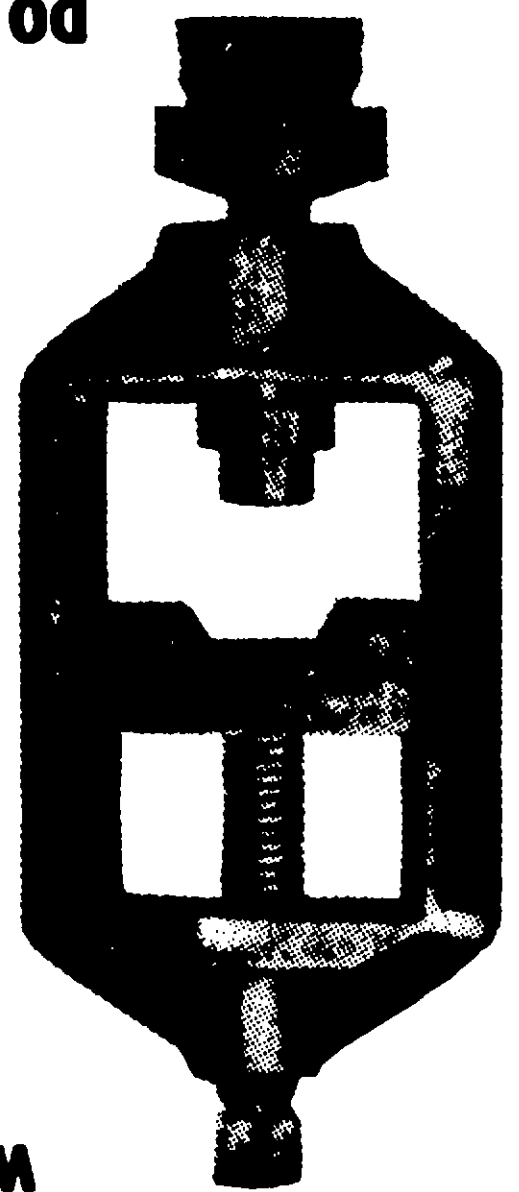
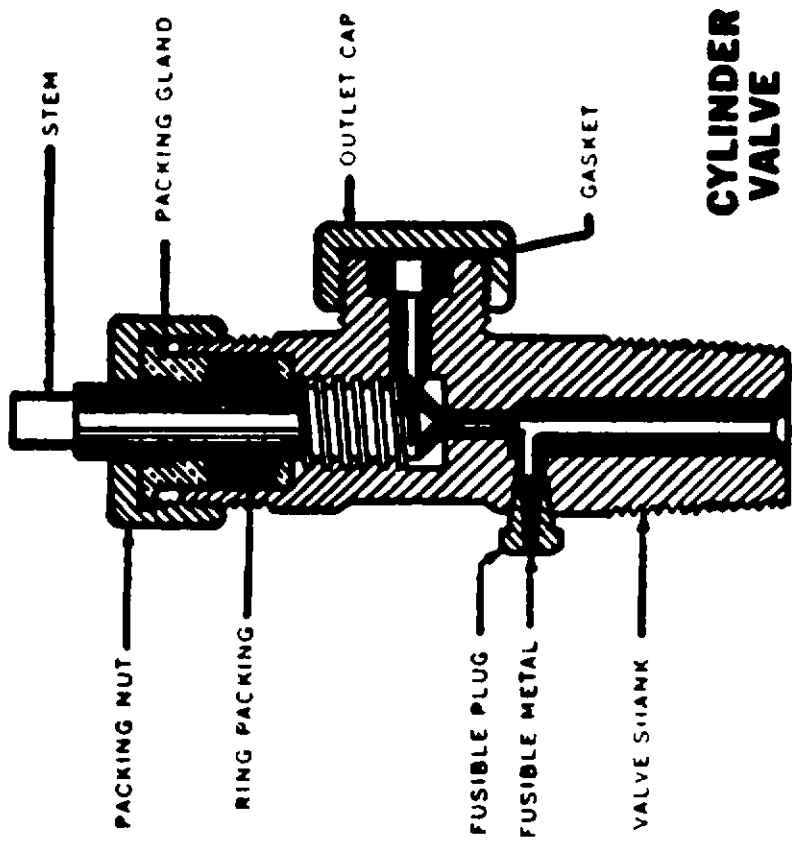


4 MAR 1974

DO NOT USE WRENCH LONGER THAN 4 INCH



COMBINATION WRENCH
3/8" OPENING FOR VALVE
STEM AND YOKE SCREW
1 1/4" OPEN END FOR PACKING NUT AND OUTLET CAP



YOKE & ADAPTER

WHERE IS YOUR CHLORINE GAS MASK ?

INSTRUCTIONS FOR USE—READ CAREFULLY

ACTIVE INGREDIENT	
CHLORINE	99.5%
INERT INGREDIENTS	0.5%
	100.0%

LIQUID CHLORINE

IN THIS CONTAINER IS UNDER PRESSURE WHICH INCREASES WHEN WARMED. VAPOR HAZARDOUS - DO NOT INHALE - DO NOT GET IN EYES OR ON SKIN.

THIS NEEDLE VALVE IS STANDARD FOR CHLORINE - ALL THREADS ARE RIGHT HAND. TURN CLOCKWISE TO TIGHTEN - USE ONE OF THE SPECIAL WRENCHES SHOWN ON OTHER SIDE OF THIS TAG.

DO NOT TAMPER WITH FUSIBLE SAFETY PLUG
FUSIBLE METAL MELTS AT 158° F.

TO CONNECT TO DISCHARGE LINE, UNSCREW VALVE OUTLET CAP AND ATTACH YOKE CLAMP AND ADAPTER (OR SPECIAL UNION) — NEVER USE PIPE FITTINGS HAVING STANDARD TAPERED THREAD — USE THE NEW LEAD GASKETS SUPPLIED WITH CONTAINER EACH TIME CONNECTION IS MADE.

OPEN VALVE BY TURNING TO LEFT (COUNTER-CLOCKWISE) — ONE COMPLETE TURN OPENS VALVE WIDE. NEVER EXCEED 1 1/4 TURNS. PACKING NUT MAY BE SLIGHTLY LOOSENED, IF NECESSARY, TO RELIEVE TIGHT VALVE; BUT RETIGHTEN PROMPTLY TO AVOID LEAK.

CLOSE VALVE PROMPTLY WHEN CONTAINER IS EMPTY TO PREVENT WATER AND OTHER FOREIGN SUBSTANCES ENTERING CONTAINER.

ALWAYS REPLACE VALVE OUTLET CAP AND VALVE PROTECTION COVER.

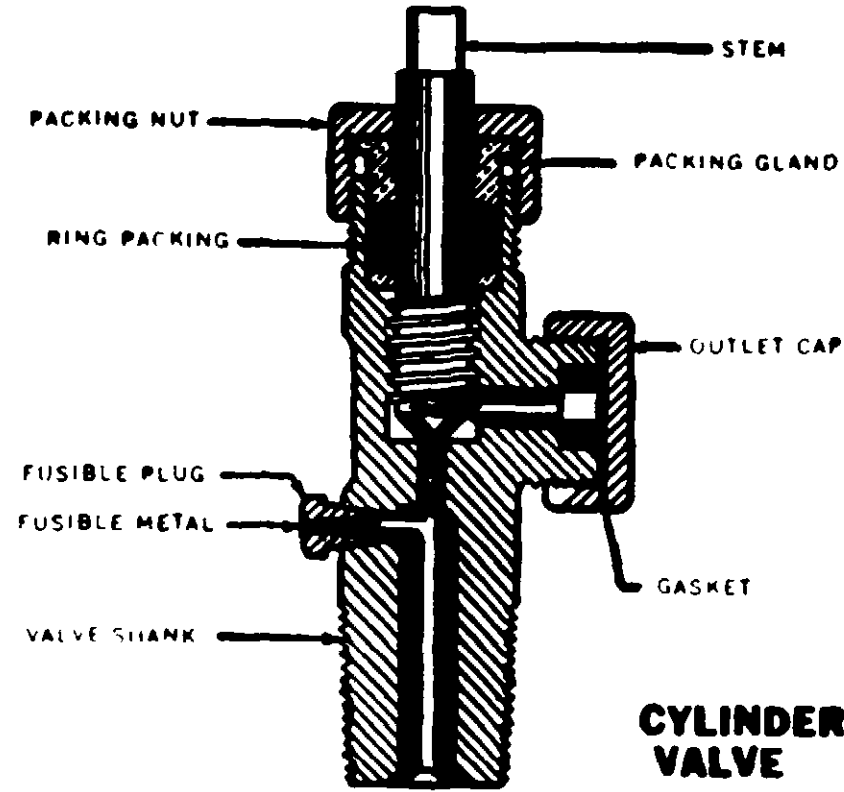
ACCEPTED
3-14-74
8866-8
INSECTICIDE ACT REGISTER.

DANGER! HAZARDOUS LIQUID GAS UNDER PRESSURE
KEEP OUT OF REACH OF CHILDREN
HANDLE AND USE ONLY IN ACCORDANCE
WITH INSTRUCTIONS ON THIS CARD.
Do not breathe air containing this gas.

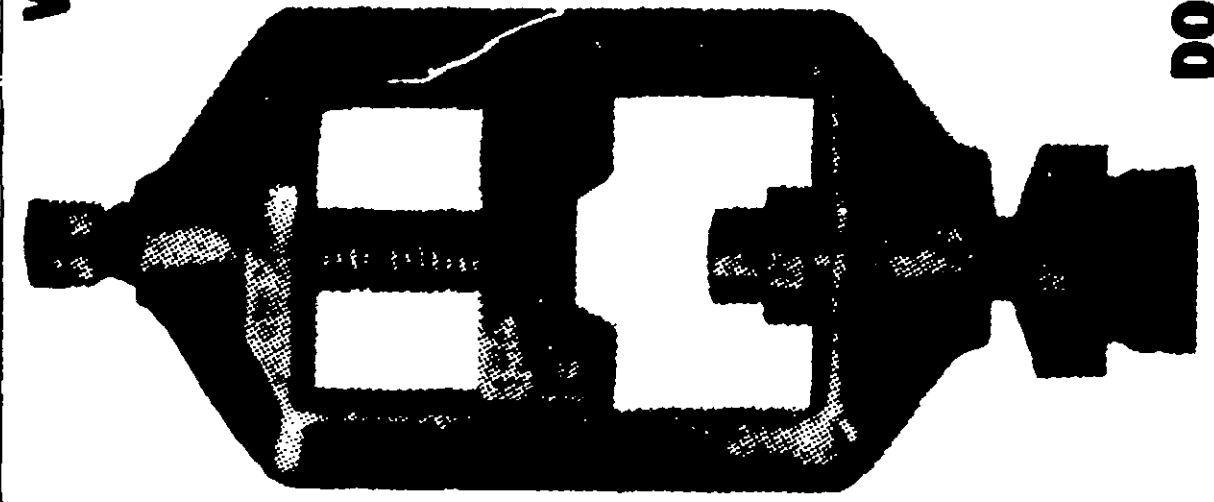
DANGER! HAZARDOUS LIQUID GAS UNDER PRESSURE
KEEP OUT OF REACH OF CHILDREN
HANDLE AND USE ONLY IN ACCORDANCE
WITH INSTRUCTIONS ON THIS CARD.
Do not breathe air containing this gas.

DO NOT USE WRENCH LONGER

STEM AND YOKE SCREW
1/4" OPEN END FOR PACKING NUT AND OUTLET CAP



CYLINDER VALVE



YOKE & ADAPTER

**DANGER! HAZARDOUS LIQUID GAS UNDER PRESSURE
KEEP OUT OF REACH OF CHILDREN
HANDLE AND USE ONLY IN ACCORDANCE
WITH INSTRUCTIONS ON THIS CARD.**

Do not breathe air containing this gas.
Do not get in eyes or on skin.
Do not heat cylinders.
Gas mask must have the approval of U.S. Bureau of Mines for chlorine service.
In case of inhalation, remove patients to fresh air, keep him warm and quiet, administer oxygen and call for a physician.

EYE CONTACT:
*FLUSH EYES immediately with copius amounts of running water for 15 minutes.
*Forcibly hold eyelid apart to ensure complete irrigation of all eye and lid tissues.
*Call a Physician.
SKIN CONTACT:
*Emergency shower removing clothes in shower.
*Wash well with copius amounts of soap and water.
*Call a Physician.

NET WEIGHT

EPA Reg. No. 8866-8

EPA Est. 8866-WI-1

WHERE IS YOUR CHLORINE

INSTRUCTIONS FOR USE - READ CAREFULLY

LIQUID CHLORINE

PURITY 99.5%
CONTENTS 0.5%
100.0%

IS UNDER PRESSURE WHICH INCREASES WHEN WARMED. VAPOR
IT INHALE. DO NOT GET IN EYES OR ON SKIN.

STANDARD FOR CHLORINE. ALL THREADS ARE RIGHT HAND. TURN
ITEN. USE ONE OF THE SPECIAL WRENCHES SHOWN ON OTHER

DO NOT TAMPER WITH FUSIBLE SAFETY PLUG
FUSIBLE METAL MELTS AT 158° F.

LARGE LINE, UNSCREW VALVE OUTLET CAP AND ATTACH YOKE CLAMP AND
N) - NEVER USE PIPE FITTINGS HAVING STANDARD TAPERED THREAD - USE
PIED WITH CONTAINER EACH TIME CONNECTION IS MADE.

TO LEFT (COUNTER-CLOCKWISE) - ONE COMPLETE TURN OPENS VALVE WIDE.
ACKING NUT MAY BE SLIGHTLY LOOSENED, IF NECESSARY, TO RELIEVE TIGHT
APPLY TO AVOID LEAK.

WHEN CONTAINER IS EMPTY TO PREVENT WATER AND OTHER FOREIGN SUB-
STANCES FROM ENTERING THROUGH VALVE.

OUTLET CAP AND VALVE PROTECTION COVER.

ACCEPTED
3-14-74
8866-8

INSECTICIDE
REGISTERED
EPA REG. NO. 8866-8

**DANGER! HAZARDOUS LIQUID GAS UNDER PRESSURE
KEEP OUT OF REACH OF CHILDREN
HANDLE AND USE ONLY IN ACCORDANCE
WITH INSTRUCTIONS ON THIS CARD.**

Do not breathe air containing this gas.
Do not get in eyes or on skin.
Do not heat cylinders.
Gas mask must have the approval of U.S. Bureau of Mines for chlorine service.
In case of inhalation, remove patients to fresh air, keep him warm and quiet, administer oxygen and call for a physician.

EYE CONTACT:
*FLUSH EYES immediately with copius amounts of running water for 15 minutes.
*Forcibly hold eyelid apart to ensure complete irrigation of all eye and lid tissues.
*Call a Physician.
SKIN CONTACT:
*Emergency shower removing clothes in shower.
*Wash well with copius amounts of soap and water.
*Call a Physician.

NET WEIGHT

EPA Reg. No. 8866-8

EPA Est. 8866-WI-1

32
OZ.
30
OZ.
28
OZ.
26
OZ.
24
OZ.
22
OZ.
20
OZ.
18
OZ.
16
OZ.
14
OZ.
12
OZ.
10
OZ.
8
OZ.
6
OZ.
4
OZ.
2
OZ.

ALGAE-OUT "100"

DIRECTIONS

ALGAE-OUT 100 is used to control the growth of algae in swimming pools. For maximum effectiveness, pools containing heavy growth of algae should be cleaned prior to using **ALGAE-OUT 100**.

FOR POOLS HAVING JUST VISIBLE algae growth, add an initial dose of 165 to 255 fl. oz. of **ALGAE-OUT 100** per 10,000 gal. of water and remove settled algae debris by cleaning.

FOR TREATMENT OF FRESHLY CLEANED AND FILLED POOLS, add initially 90 to 165 fl.oz. of **ALGAE-OUT 100** per 10,000 gal. of water.

TO MAINTAIN POOLS free of visible algae growth, subsequent additions of 30 to 60 fl. oz. of **ALGAE-OUT 100** per 10,000 gal. of water should be made every 5 to 7 days after the initial treatment. Uniform distribution of **ALGAE-OUT 100** throughout the water in the pool is necessary for maximum effectiveness.

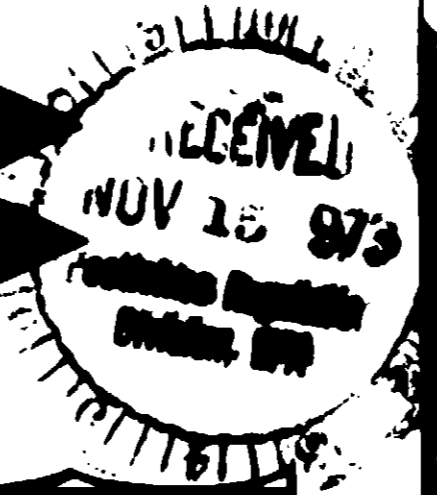
ALGAE-OUT 100 is compatible with those chemicals normally used to treat pools and is effective at both acid and alkaline pH.

ALGAE-OUT 100 can be used in pools treated with chlorine chemicals and may reduce the amount of those chemicals normally required. However, do not mix **ALGAE-OUT 100** with concentrated dry or liquid chlorine products.

ACCEPTED

12-14-73

UNDER THE FEDERAL INSECTICIDE ACT
REGISTERED UNDER THE FEDERAL INSECTICIDE ACT
EPA REG. NO. 8866-12



ALGAE-OUT "100"

ALGAE CONTROL FOR SWIMMING POOLS HELPS KEEP POOL WATER CLEAR AND FREE OF GROWING ALGAE

ACTIVE INGREDIENT
Poly[oxyethylene (dimethyliminio) - ethylene (dimethyliminio) ethylene dichloride] 5.0%
INERT INGREDIENTS 95.0%

CAUTION
KEEP OUT OF REACH OF CHILDREN
SEE OTHER PRECAUTIONS ON THE SIDE PANEL

NET CONTENTS: 32 FL.OZ. (1 U.S. Qt.)
EPA Registration No. 8866-12
MANUFACTURED BY

ARCO CHEMICAL CORP.
MILWAUKEE, WISCONSIN 53215

ALGAE-OUT "100"

CAUTION

KEEP OUT OF REACH OF CHILDREN

Harmful if swallowed. Do not get in eyes. Avoid contact with skin. In case of contact flush with plenty of water for at least 15 minutes. If eye irritation persists, get medical attention. Avoid contamination of food.

Rinse empty container thoroughly with water and discard container.

This product is toxic to fish. Treated effluent should not be discharged where it will drain into lakes, streams, ponds, or public water. Apply this product only as specified on this label.

POOL CAPACITY	MAINTENANCE DOSAGE, ADD EVERY 5 to 7 DAYS
780 gal.	2.3 to 4.6 oz.
1,560 gal.	4.6 to 9.2 oz.
3,120 gal.	9.2 to 18.4 oz.
6,240 gal.	18.4 to 36.8 oz.
12,480 gal.	36.8 to 73.6 oz.
24,960 gal.	73.6 to 147.2 oz.