

**HERCON**



**INSECTape**<sup>®</sup>  
CONTAINING DIAZINON

**INSECTICIDAL STRIPS**

KILLS ROACHES AND WATERBUGS UP TO SIX MONTHS  
AND CLUSTER FLIES UP TO THREE MONTHS  
CONTINUOUSLY WITH ONE APPLICATION

THE INSECTICIDE IS IN THE STRIP !  
NO LINGERING ODORS AND MESS  
OF SPRAYS OR POWDERS !

RECEIVED  
3-13-71

Active ingredient: 0,0-Diethyl O-(2-isopropyl-6-methyl-4-pyrimidinyl) phosphorothioate*	10.0%
Inert ingredients	90.0%
	TOTAL 100.0%

\*U.S. Patent No. 2,754,243.

**CONTENTS**

36 1 in. x 4 in. adhesive strips  
MINIMUM NET WEIGHT  
1.33 oz.

**CAUTION**  
**KEEP OUT OF REACH OF CHILDREN**

**HERCON**

**INSECT TAPE**  
CONTAINING DIAZINON

FOR THE CONTROL OF COCKROACHES,  
FLIES, AND OTHER INSECTS  
IN HOUSEHOLDS, RESTAURANTS, AND  
OTHER AREAS WHERE INSECTS  
ARE A PROBLEM.  
WITH CARE APPLICATION

Hercon Insectape is a product designed to control cockroaches, waterbugs and cluster flies when placed where these insects crawl, hide or congregate. Insectape is multilayered in such a way that the insecticide on its surface is replenished continuously whenever it is disturbed by washing, wiping or insect activity. With the Hercon controlled release system, Insectape provides protection without the lingering odor and mess of sprays or powders. Length of effectiveness may vary in different situations.

#### PRECAUTIONARY STATEMENTS

Do not open protective pouch until ready to use. Harmful if chewed or swallowed. Avoid contact with eyes, clothing and food. Wash hands with soap and water after handling. Do not use in edible product areas of food processing plants, restaurants or other areas where food is commercially prepared or processed. Note to Physician: Atropine is antidotal.

#### DIRECTIONS FOR USE GENERAL CLASSIFICATION

It is a violation of Federal Law to use this product  
in a manner inconsistent with its labelling

Wipe or clean surfaces before applying. To adhere, remove backing paper from strip. Do not place strips in exposed locations where direct contact with children, pets, food or clothing is likely to occur. In very large areas, apply strips as needed as an insufficient number may lead to unsatisfactory control. Depending on the degree of infestation, it may take from a few days to a few weeks before insect control is achieved. For best results, read enclosed booklet for additional directions.

Cockroaches and "waterbugs." Recommended strip placement sites are shown in the booklet. Place strips in warm, dark, out-of-sight locations. When treating a room, place strips in cracks, around pipes, in back of and under dishwashers, refrigerators, sinks and cabinets in the kitchen or bathroom or other dark areas where cockroaches hide. To avoid contact with children, apply strips to underside of overhang of cabinets, dishwasher or washing machine. If cockroach infestation is particularly severe, you may wish to continue the application of conventional sprays or dusts. A package of 36 strips is usually sufficient to treat an average-size kitchen or two other rooms (there are usually more hiding places for cockroaches in the kitchen). Replace strips after 6 months or when effectiveness diminishes.

Cluster flies (also known as attic flies or buckwheat flies): Place strips around windows and door frames. Keep out of reach of children. A package of 36 strips is sufficient to treat three average-size windows; refer to enclosed booklet illustration. Use more strips in severe infestations. Apply strips also in sites where flies are observed to congregate, including sliding glass doors, picture windows, attics, storage spaces, garages, wall spaces, behind pictures, under loose wallpaper and near unscreened louvers and ventilators. Replace strips after three months or when effectiveness diminishes.

#### WARRANTY

Manufacturer warrants that the product is reasonably fit for the purposes stated on the label when used in accordance with directions under normal conditions of use, but neither this warranty of merchantability or fitness for a particular purpose, expressed or implied, extends to use of this product under abnormal conditions not reasonably foreseeable to manufacturer and user assumes the risk or any such use.

EPA Reg. No. 8730-7

EPA Est. No. 8730 PA 01

"HERCON" and "INSECTAPE" are registered trademarks  
of HEALTH-CHEM CORPORATION

---

HERCULITE PRODUCTS, INC.  
*A Subsidiary of Health-Chem Corporation*  
New York, N.Y. 10010 U.S.A.

**HERCON**



**INSECTape**<sup>®</sup>  
CONTAINING DIAZINON

**INSECTICIDAL STRIPS**

KILLS ROACHES AND WATERBUGS UP TO SIX MONTHS  
AND CLUSTER FLIES UP TO THREE MONTHS  
CONTINUOUSLY WITH ONE APPLICATION

THE INSECTICIDE IS IN THE STRIP!  
NO LINGERING ODORS AND MESS  
OF SPRAYS OR POWDERS!

Hercon<sup>®</sup> Insectape<sup>®</sup> is a product designed to control cockroaches, waterbugs and cluster flies when placed where these insects crawl, hide or congregate. Insectape<sup>®</sup> is multilayered in such a way that the insecticide on its surface is replenished continuously whenever it is disturbed by washing, wiping or insect activity. With the Hercon<sup>®</sup> controlled release system, Insectape<sup>®</sup> provides protection without the lingering odor and mess of sprays or powders.

---

**CAUTION**  
KEEP OUT OF REACH OF CHILDREN

2-130-7

## DIRECTIONS FOR USE

Wipe or clean surfaces before applying. To adhere, remove backing paper from strip. Do not place strips in exposed locations where direct contact with children, pets, foods or clothing is likely to occur. In very large areas, apply strips as needed as an insufficient number may lead to unsatisfactory control. Depending on the degree of infestation, it may take from a few days to a few weeks before insect control is achieved. To assure insect kill, Insectape® strips should be placed in all locations illustrated here.

## COCKROACH CONTROL

Recommended strip placement sites are shown in the illustrations. Place strips in warm, dark, out-of-sight locations. When treating a room, place strips in cracks, around pipes, in back of and under dishwashers, refrigerators, sinks and cabinets in the kitchen or bathroom or other dark areas where cockroaches hide. To avoid contact by children, apply strips to underside of overhang of cabinets, dishwasher or washing machine. If cockroach infestation is particularly severe, you may wish to continue the application of conventional sprays or dusts. A package of 36 strips is usually sufficient to treat an average-size kitchen or two other rooms (there are usually more hiding places for cockroaches in the kitchen). Replace strips after 6 months or when effectiveness diminishes.

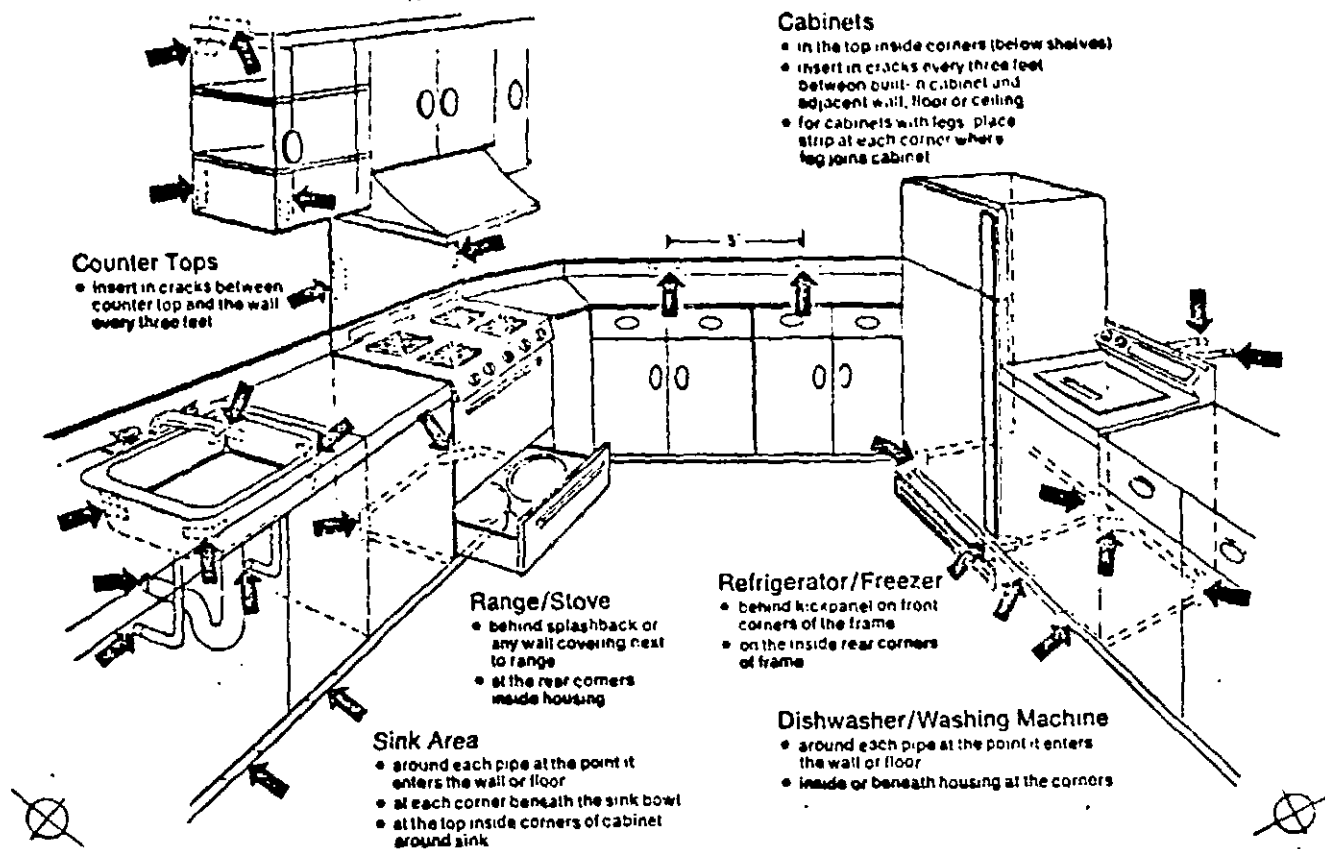
## THE NEED FOR ROACH PROTECTION

Each year, cockroaches top the most unwanted list of insects. They do more emotional and psychological damage than any other insect pest, not to mention the waste and loss they cause by contaminating foodstuffs.

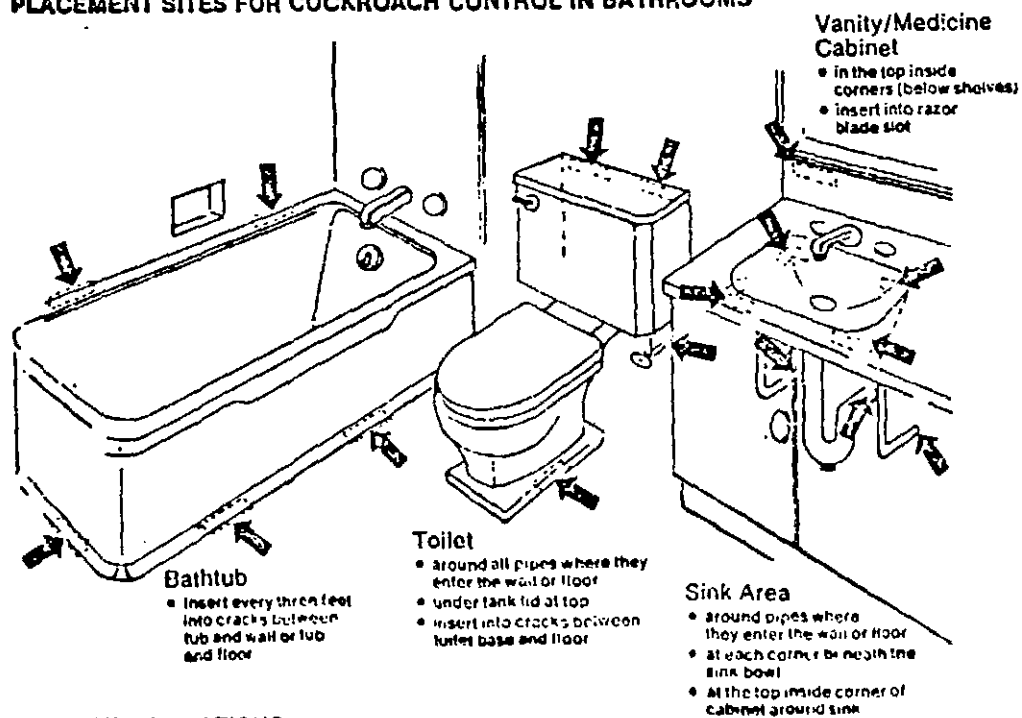
While there are several different species of cockroaches, the German cockroach is probably the most common. In appearance, this roach is light tan to medium in color ... $\frac{1}{2}$  to  $\frac{5}{8}$  inch long... wings cover the rear of body. Other common species are American, Brown-banded, Oriental and Smoky Brown. One pair of roaches can multiply to over 35,000 in a single year, making them extremely difficult to control. Insectape is today's first continuously-acting roach fighter that kills rapidly-breeding roaches.

**HERCON**

**PLACEMENT LOCATIONS FOR COCKROACH CONTROL IN RESIDENTIAL KITCHENS**



**PLACEMENT SITES FOR COCKROACH CONTROL IN BATHROOMS**



**OTHER LOCATIONS**

Roaches may also be deterred by the wall clocks, light fixtures, under table and floor connections behind loose wall paper, carpet strips and under furniture and drawers. Place strips in these hiding places as necessary.

**CLUSTER FLIES**  
(also known as attic flies or buckwheat flies)

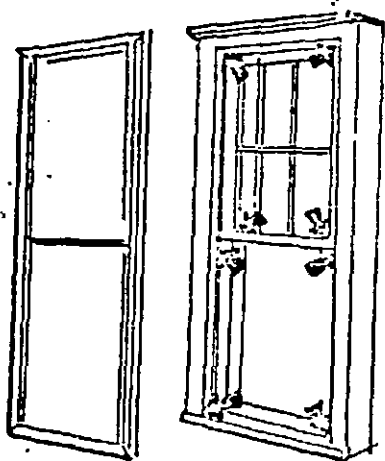
The cluster fly is a dark grey to blackish fly slightly larger and more sluggish than the common house fly. In the fall, adult cluster flies enter houses, garages, and other buildings through cracks and holes in siding, window holes, ventilators, and unscreened louvers. During the cooler months, hibernating flies have a habit of forming compact "clusters."

Control of cluster flies depends to a large extent on being able to discover the resting place of the flies. When the flies are found in clusters in the house, the strategic application of Insectape<sup>R</sup> will give long-lasting control of the insect. Measures such as sealing cracks and other openings into the house and insuring that storm windows and screens are carefully fitted should also be taken.

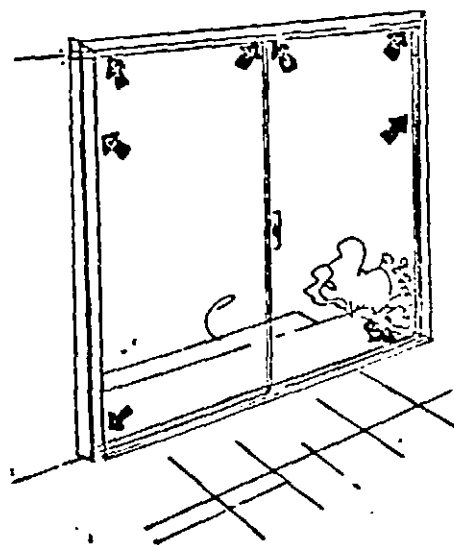
**CLUSTER FLY CONTROL**

Place strips around windows and door frames. Keep out of reach of children. A package of 36 strips is sufficient to treat three average-size windows; refer to the illustrations below. Use more strips in severe infestations. Apply strips also in sites where flies are observed to congregate, including sliding glass doors, picture windows, attics, storage spaces, garages, wall spaces, behind pictures, under loose wallpaper and near unscreened louvers and ventilators. With double windows, place strips between the storm and the inside windows. Also place strips on sills and inner casing. It is important to treat in the fall, when flies are observed in the home, as well as to retreat in the spring if further activity is noted. Replace strips after three months or when effectiveness diminishes.

**PLACEMENT SITES FOR CLUSTER FLY CONTROL**



- Windows**
- \*in the top inside corners
  - \*in the inner corners where panes are joined
  - \*along the window sill
  - \*inside the inner casing
  - \*between storm and inside window



- Picture Windows/Sliding Glass Doors**
- \*along the door frame or window sill
  - \*in the top inside corners
  - \*in the inner corners of the two panes where they meet
  - \*along the inside track of the door or window

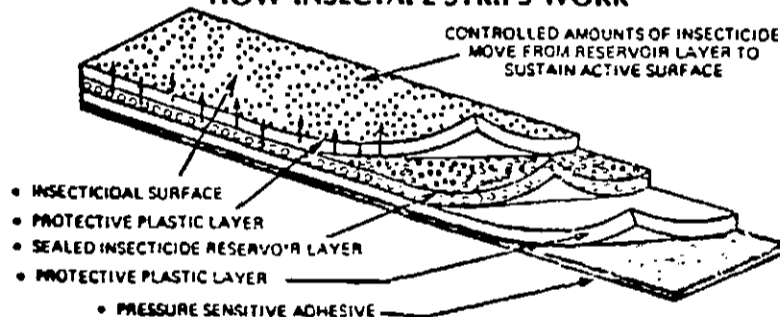
## PRECAUTIONARY STATEMENTS

Do not open protective pouch until ready to use. Harmful if chewed or swallowed. Avoid contact with eyes, clothing and food. Wash hands with soap and water after handling. Do not use in edible product areas of food processing plants, restaurants or other areas where food is commercially prepared or processed. Note to Physician: Atropine is antidotal.

## WARRANTY

Manufacturer warrants that the product is reasonably fit for the purposes stated on the label when used in accordance with directions under normal conditions of use, but neither this warranty of merchantability or fitness for a particular purpose, expressed or implied, extends to use of this product under abnormal conditions not reasonably foreseeable to manufacturer and user assumes the risk or any such use.

### HOW INSECTAPE STRIPS WORK



The secret is the patented HERCON controlled release technology system. The highly effective, non-fumigant insecticide is sealed and safely stored within the uniquely-designed multi-layered strip. As the surface of the strip is disturbed by insect activity or mopping and wiping, insecticide replacement automatically moves up from the protected reservoir layer to the surface. As a result of this continuous replenishing action, the INSECTAPE strip is always at work. The actual length of effectiveness may vary in different situations.

Active ingredient: 0,0-Diethyl 0-(2-isopropyl-6-methyl-4-pyrimidinyl) phosphorothioate*	10.0%
Inert ingredients	90.0%
	<b>TOTAL 100.0%</b>
*U.S. Patent No. 2,754,243.	

EPA Reg. No. 8730-7

EPA Est. No. 8730 PA 01

"HERCON" and "INSECTAPE" are registered trademarks  
of HEALTH-CHEM CORPORATION

**HERCULITE PRODUCTS, INC.**  
A Subsidiary of Health-Chem Corporation  
New York, N.Y. 10010 U.S.A.