

ENVIRONMENTAL PROTECTION AGENCY
OFFICE OF PESTICIDES PROGRAMS
REGISTRATION DIVISION (WH-567)
WASHINGTON, D.C. 20460

EPA REGISTRATION NO.
7173-191

DATE OF ISSUANCE
1/15/85

TERM OF ISSUANCE
Maki Mouse Killer Baiter

NAME OF PESTICIDE PRODUCT

NOTICE OF PESTICIDE: REGISTRATION
 REREGISTRATION

(Under the Federal Insecticide, Fungicide,
and Rodenticide Act, as amended)

NAME AND ADDRESS OF REGISTRANT (Include ZIP code)

Lipha Chemicals, Inc.
Chempar Products Division
660 Madison Avenue
New York, NY 10021

NOTE: Changes in labeling formula differing in substance from that accepted in connection with this registration must be submitted to and accepted by the Registration Division prior to use of the label in commerce. In any correspondence on this product always refer to the above U.S. EPA registration number.

On the basis of information furnished by the registrant, the above named pesticide is hereby Registered/Reregistered under the Federal Insecticide, Fungicide, and Rodenticide Act.

A copy of the labeling accepted in connection with this Registration/Reregistration is returned herewith.

Registration is in no way to be construed as an indorsement or approval of this product by this Agency. In order to protect health and the environment, the Administrator, on his motion, may at any time suspend or cancel the registration of a pesticide in accordance with the Act. The acceptance of any name in connection with the registration of a product under this Act is not to be construed as giving the registrant a right to exclusive use of the name or to its use if it has been covered by others.

This product is conditionally registered in accordance with FIFRA sec. 3(c)(7)(A) provided that you:

1. Submit and/or cite all data required for registration/reregistration of your product under FIFRA sec. 3(c)(5) when the Agency requires all registrants of similar products to submit such data.

2. Make the labeling changes listed below before you release the product for shipment:

a. Add the phrase "EPA Registration No. 7173-191."

b. The following changes are needed on the outer label:

1. Front Panel

Change "frequented by" to "accessible to" in the sentence "For use in . . . and wildlife."

2. Rear Panel

A. After "HINTS FOR PROPER USAGE: "add" Also see DIRECTIONS FOR USE."



ATTACHMENT IS APPLICABLE

SIGNATURE OF APPROVING OFFICIAL

DATE

NOTICE OF PESTICIDE: REGISTRATION REREGERISTRATION
(Under the Federal Insecticide, Fungicide and Rodenticide Act, as amended)

NAME AND ADDRESS OF REGISTRANT (Include ZIP code)

Lipha Chemicals, Inc.
Chempar Products Division
660 Madison Avenue
New York, NY 10021

NOTE. Changes in labeling formula differing in substance from that accepted in connection with this registration must be submitted to and accepted by the Registration Division prior to use of the label in commerce. In any correspondence on this product always refer to the above U.S. EPA registration number.

On the basis of information furnished by the registrant, the above named pesticide is hereby Registered/Reregistered under the Federal Insecticide, Fungicide, and Rodenticide Act.

A copy of the labeling accepted in connection with this Registration/Reregistration is returned herewith.

Registration is in no way to be construed as an indorsement or approval of this product by this Agency. In order to protect health and the environment, the Administrator, on his motion, may at any time suspend or cancel the registration of a pesticide in accordance with the Act. The acceptance of any name in connection with the registration of a product under this Act is not to be construed as giving the registrant a right to exclusive use of the name or to its use if it has been covered by others.

This product is conditionally registered in accordance with 26 USC 3(c)(7)(B) provided that you:

1. Submit and/or cite all data required for registration/reregistration of your product under FIFRA sec. 3(c)(5) when the Agency requires of registrants of similar products to submit such data.

2. Make the labeling changes listed below to the label for sale or shipment:

- a. Add the phrase "EPA Registration No. 7113-191."
- b. The following changes are needed on the outer label:
 - 1. Front Panel
change "treated by" to "registered by" in the sentence "Use in . . . and wildlife."
 - 2. Back Panel
A. Add "EPA Reg. No. 7113-191" to the label.

ATTACHMENT IS APPLICABLE
SIGNATURE OF APPROVING OFFICIAL DATE

B. Amend direction #1 to read as follows:

The MAKI MOUSE KILLER BAITER should be installed directly against a wall on a surface free of dirt, moisture, or grease. Select an area in which mouse activity has been noticed. Remove the protective strips from the tape on the bottom of the metal restrainer. Turn the baiter, so that both tunnel openings are close to the wall. To secure the baiter, press the entire unit tightly to the floor.

C. Under direction #2, change "BAITERS" to "BAITER."

D. Under direction #3, change "baiter" to metal restrainer."

3. Top Panel

Capitalized text is a short version of the longer use directions appearing on the bottom panel and the rear panel. This material must either be deleted or the more detailed directions must be referenced with language such as:

See "DIRECTIONS FOR USE" and "HINTS FOR PROPER USAGE."

4. Bottom Panel

A. Add "if properly secured" after "wildlife" at end of fourth paragraph under "DIRECTIONS FOR USE."

B. At end of first paragraph under "APPLICATION DIRECTIONS - HOUSE MICE": add

"See HINTS FOR PROPER USAGE for instructions on how to secure the baiter,"

Please note that we have filed a sketch for Maki Mouse Killer Baiter and any modifications to this bait box will require you to submit an amendment application. Also conditional to this registration are the efficacy data requirements described in our letter dated October 22, 1984. These data must be received within 6 months of the date of this letter. Within 30 days of receipt of this letter, please write to us and indicate how and when you will comply with these data requirements.

It is noted that Maki Rat and Mouse Bait Packs (Pellets) are sold in a container with a minimum of 100 units. We doubt that a homeowner will buy this many packs. Therefore, you should also amend this file indicating that you wish to sell this product with fewer packs. The exact number is up to you but we will not accept less than three.

DRAFT LABEL - MAKI MOUSE KILLER BAITER - 7173-ROR

FRONT PANEL

MAKI® MOUSE KILLER BAITER

KILLS MICE!

For use in areas that are frequented by children, pets and wildlife. Tamper-proof and refillable for long term mouse control.

Active Ingredients:

3-[3-(4'-bromo[1,1'-biphenyl]-4-yl)-3-hydroxy-1-phenylpropyl]-4-hydroxy-2H-1-benzopyran-2-one.....0.005%

Inert Ingredients.....99.995%
Total 100.000%

*Bromadiolone-Supercaid Patented in the U.S.A.

CAUTION
KEEP OUT OF REACH OF CHILDREN
Read additional precautionary
statements on side panel

Net Weight - 1.5 ounces

ACCEPTED
with COMMENTS
in EPA Letter Dated

JAN 13 1985

Under the Federal Insecticide,
Fungicide, and Rodenticide Act
as amended, for the pesticide
registered under EPA Reg. No.

7173-191

LEFT SIDE PANEL

CAN KILL MICE IN A SINGLE FEEDING!*

SO UNIQUE ITS PATENTED

*Mice will die in 4-5 days.

TOP PANEL

MAKI MOUSE KILLER BAITERS SHOULD BE PLACED EVERY 8-12 FEET ALONG WALLS IN AREAS WHERE MICE HAVE BEEN SEEN OR ACTIVITY IS APPARENT. SECURE MAKI MOUSE KILLER BAITERS TO THE FLOOR WHEN USED IN AREAS ACCESSIBLE TO CHILDREN AND PETS. SAVE THE BAITER FOR POSSIBLE FUTURE USE. REFILL USING MAKI RAT AND MOUSE BAIT PACKS (PELLETS).

DESIGNED FOR SAFETY!

Designed to conform with EPA criteria for the use of baits in areas accessible to children and pets.

RECEIVED
10-31-84

KILLS MICE RESISTANT TO WARFARIN BAITS!

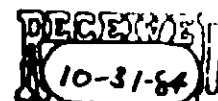
HINTS FOR PROPER USAGE:

MAKI MOUSE KILLER BAITERS are designed to adhere to smooth surfaces such as wood, asphalt tiles, flat concrete, etc. Test the BAITAINER to insure that it holds securely. In rough areas, or where unsuitable surfaces exist, follow steps 2-3 and attach the unit directly to the floor with screws through the key hole slots at the bottom of the tray. In areas accessible to children, pets, and wildlife, the MAKI MOUSE KILLER BAITER must be secured to the floor.

1. To secure the MAKI MOUSE KILLER to the floor, select an area in which mouse activity has been noticed. Remove the protective tape from the bottom of the unit and press the entire unit tightly to the floor with the tunnels closest to the wall. MAKI BAITERS should be installed directly against a wall and on a surface free of dirt, moisture, or grease.
2. MAKI MOUSE KILLER BAITERS is a refillable baiting system and contains a one feed bait. To refill the unit, slide the blue plastic MAKI BAITER to the left or right, releasing it from the baiter that has been secured to the floor.
3. Using a key or other similiar object, gently push the locking tabs forward while similtaneously spreading the tunnels with your hand. This will allow the top of the MAKI MOUSE KILLER BAITER to come free.
4. Lay the bottom tray on a flat surface and introduce a new supply of MAKI RAT AND MOUSE BAIT PACKS (PELLETS) to the front trays.
5. Slip the front tabs of the top of the MAKI MOUSE KILLER BAITER under the front locking slots on the base of the tray and press the top down to engage to rear locking tabs. INSURE THAT THE UNIT IS LOCKED TOGETHER.
6. Slip the MAKI MOUSE KILLER BAITER back into the floor mounted baiter. The MAKI MOUSE KILLER BAITER is now ready to use again. Always make sure the unit is properly secured to the in areas where children or pets may be present.

CHEMPAR PRODUCTS DIVISION
LIPHA CHEMICALS, INC.
660 Madison Avenue
New York, NY 10021

EPA Reg. No. 7173-
EPA Est. No. 7173-NY-01



DIRECTIONS FOR USE:

It is a violation of Federal Law to use this product in a manner inconsistant with its labeling.

MAKI MOUSE KILLER BAITERS are used for the control of House Mice in and around homes, schools, hotels, restaurants, industrial and public buildings and similiar structures.

This product is specifically designed for use in areas where mice have been seen and that are in proximity to places that children, pets and wildlife may frequent.

MAKI MOUSE KILLER BAITERS are a ready-to-use product that is contained in a "tamper-proof" bait station and may be placed in areas accessible to children, pets and wildlife.

APPLICATION DIRECTIONS - HOUSE MICE:

Place one MAKI MOUSE KILLER BAITER every 8-12 feet in areas of high mouse activity. Observe the level and consumption of bait and maintain an uninterupted supply for a least 20 days.

Replace spoiled or contaminated bait immediately. Dispose or dead mice and unconsumed bait properly. To prevent reinfestation, eliminate food, water and harborage as much as possible. Where a continuous source of infestation is present, establish a permanent bait program and replenish with MAKI RAT AND MOUSE BAIT as needed.

PRECAUTIONARY STATEMENTS

HAZARD TO HUMANS AND DOMESTIC ANIMALS

CAUTION

Keep bait away from humans, domestic animals and pets. May be harmful or fatal if swallowed or absorbed through the skin because this material may reduce the clotting ability of the blood and cause bleeding.

Do not get bait in eyes, on skin, or on clothing. If swallowed, call a physician at once.

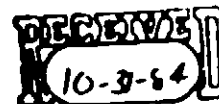
NOTE TO PHYSICIAN: If ingested, administer Vitamin K₁ intramuscularly or orally as indicated in bishdroxycoumarin overdoses. Repeat as necessary based on monitoring or prothrombin times.

ENVIRONMENTAL HAZARDS

Bait is toxic to fish and wildlife. Keep bait out of lakes, streams or ponds.

STORAGE AND DISPOSAL

Do not contaminate water, food or feed by storage or disposal.



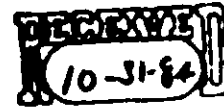
7173-ROR

STORAGE: Prior to use, store in a dry place, inaccessible to children and pets.

PESTICIDE DISPOSAL: Open station, remove excess bait and securely wrap in several layers of newspaper and place in trash. The MAKI MOUSE KILLER BAITER may be reused for future mouse control. Wash empty station and store as above or refill with MAKI Rat & Mouse Bait Packs. Do not allow children to play with empty baiters.

REMOVAL OF BAITER FROM FLOOR: Slide a putty knife or similiar object between the metal plate and the top of the adhesive strip. Excess adhesive can then be rolled off with your finger. Do not pry or attempt to remove with excess force as this can mar or damage the surface to which the BAITER has been selected.

WARRANTY: Seller makes no warranty, expressed or implied concerning the use of this product other than indicated on the label. Buyer assumes all risk of use/and or handling of this material when such use and/or handling is contrary to label instructions.



STORAGE: Prior to use, store in a dry place, inaccessible to children and pets.

PESTICIDE DISPOSAL: Upon station removal, remove excess bait and securely wrap in several layers of newspaper and place in trash. The MAEL MOUSE KILLER BAITER may be reused for future mouse control. Wash empty station and store as above or refill with MAEL bait & Mouse Bait Insects. Do not allow children to play with empty baiters.

REMOVAL OF BAITER FROM FLOOR: Slide a putty knife or similar object between the metal plate and the top of the adhesive strip. Gently pry adhesive from floor to collect it with your fingers. Do not pry or attempt to remove with excessive force as this will tear or damage the surface to which the baiter has been selected.

WARRANTY: Limited warranty is hereby expressed in writing, assuring the user of this product that the manufacturer of the baiter, MAEL, assumes all responsibility for maintaining a high standard of quality and performance in the manufacture of this baiter.

RECEIVED
10-31-84

RECEIVED
10-31-54

7173-ROR

LABEL TO APPEAR ON BAITER

MAKI® MOUSE KILLER BAITER

CAUTION

ACTIVE INGREDIENTS:

3-(3-(4'-bromo[1,1'-biphenyl]-4-yl)-3-hydroxy-1-phenylpropyl)-
4-hydroxy-2H-1-benzopyran-2-one.....0.005%

Inert Ingredients......99.995%
Total 100.000%

*Bromo[1,1'-biphenyl] patented in the U.S.A.

NOTE TO PHYSICIANS: If arrested, administer Vitamin K₁ intramuscularly
or orally as indicated in bishydroxycoumarin overdoses. Repeat as
necessary based on monitoring of prothrombin times.

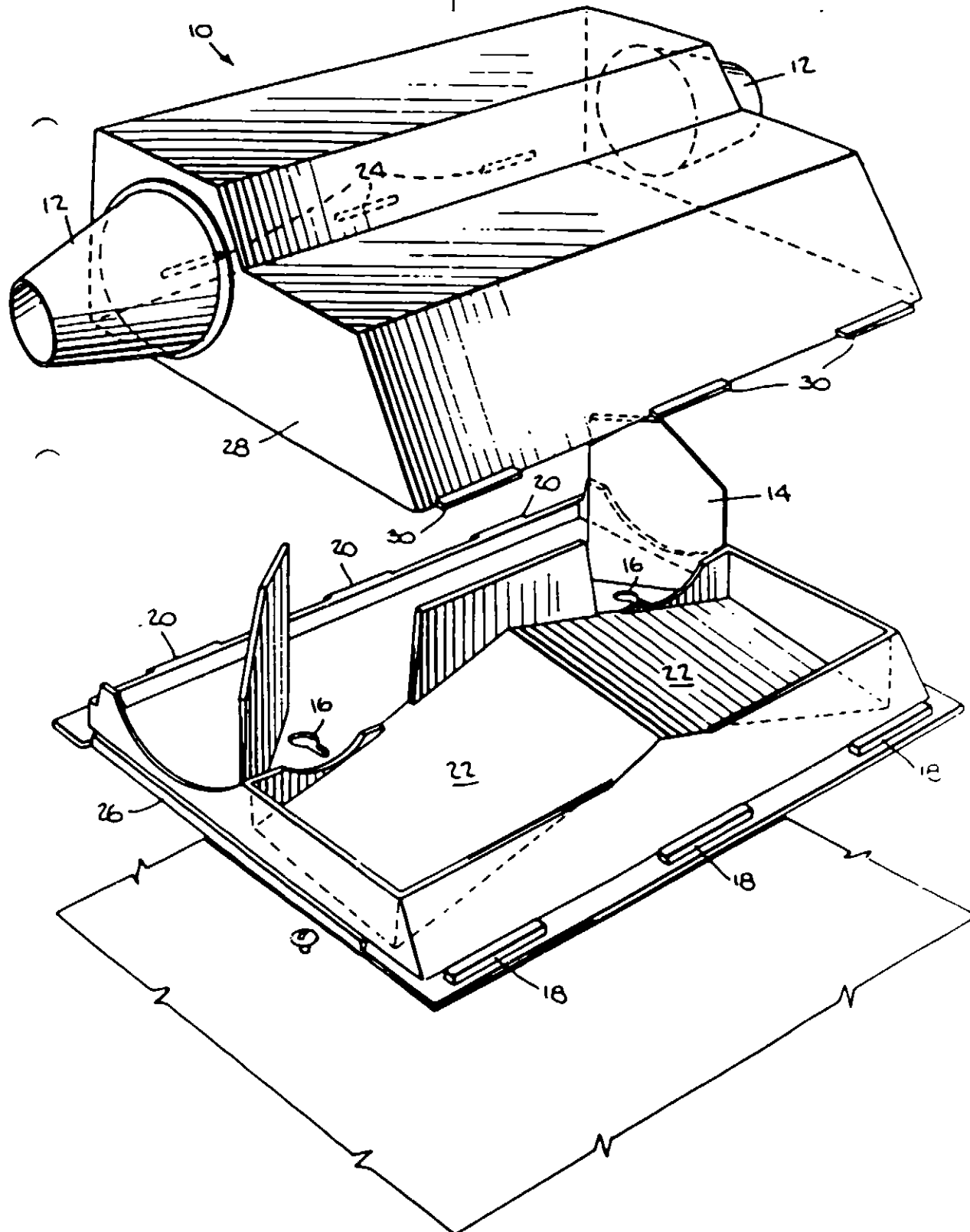
EPA Reg. No. 7173-
EPA Reg. No. 7173-N1-1

ACCEPTED
EPA REG. NO. 7173-
EPA REG. NO. 7173-N1-1

7173-191-5

Product of the
Federal Insecticide, Fungicide, and
Rodenticide Act
is a registered pesticide under the
Act and is registered under EPA Reg. No.
7173-191

Fig. 4.



7173 - RoR
10-31-44

7173 - RoR

Fig. 4.

