

**PRECAUTIONARY STATEMENTS
HAZARDS TO HUMANS
& DOMESTIC ANIMALS
CAUTION**

Harmful if swallowed. Avoid breathing vapors or spray mist. Avoid contact with skin, eyes or clothing. In case of contact immediately flush eyes or skin with plenty of water. Get medical attention if irritation persists. Cover or remove food before treatment. All food processing surfaces should be covered during treatment or thoroughly washed and cleaned before using. Do not apply when food processing is in operation. Remove pets, birds, and cover fish aquariums before spraying.

STATEMENT OF PRACTICAL TREATMENTS

If Swallowed: Call a physician or Poison Control Center. Do not induce vomiting because of aspiration pneumonia hazard.

If Inhaled: Remove victim to fresh air. Apply artificial respiration if indicated.

If in Eyes: Flush with plenty of water. If irritation persists get medical attention.

If on Skin or Clothing: Remove contaminated clothing wash skin with soap and warm water. Get medical attention if irritation persists.

PHYSICAL OR CHEMICAL HAZARDS

Contents under pressure. Do not use or store near heat or open flame. Do not puncture or incinerate container. Exposure to temperatures above 130°F may cause bursting.

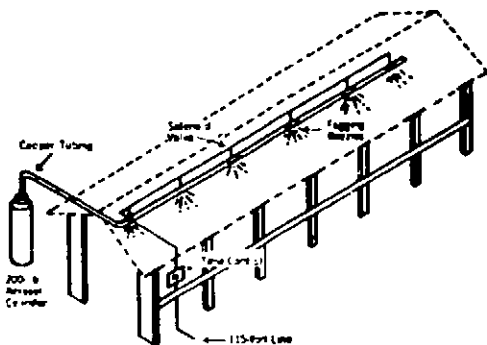
STORAGE AND DISPOSAL

Storage: Do not store near heat or open flame.

Disposal: DO NOT ATTEMPT TO REFILL CYLINDER. The cylinder is refillable only by the manufacturer. When empty, close valves, replace safety cap, and return cylinder to manufacturer or distributor.

Important note: Buyer assumes all risks of use, storage, or handling of this product not in accordance with directions given herewith.

TYPICAL INSTALLATION



**ACCUDOSE
AEROSOL INSECTICIDE**

PAT. NO. 3,614,841. OTHER PATENTS PENDING

**To be used only with
Cessco's Accudose
Insecticide Aerosol Piping System
with Automatic Timer.**

**FOR CONTROL OF
FLYING INSECTS**

INGREDIENTS

ACTIVE INGREDIENTS:	
Pyrethrins.....	0.70%
*PiperonylButoxide, Technical.....	3.50%
**INERT INGREDIENTS.....	95.80%
	100.00%

*Equivalent to 4.00%(butylcarbityl)(6-propylpiperonyl)ether and 1.00% related compounds.

**Contains Petroleum Distillates

**KEEP OUT OF REACH OF CHILDREN
CAUTION
SEE SIDE PANEL FOR ADDITIONAL
PRECAUTIONARY STATEMENTS**

EPA. EST. #6959-SC-1

EPA. REG. #6959-82

MANUFACTURED BY:



3609 A RIVER ROAD
JOHNS ISLAND, SC 29455

1-800-476-3666

NET WEIGHT - 200 LB.

BEST AVAILABLE COPY

DIRECTIONS FOR USE

It is a violation of Federal law to use this product in a manner inconsistent with its labeling

Flies, Horseflies, Deer Flies, Black Flies, Mosquitoes, Gnats, Sandflies, Midges, Wasps, and Small Flying Moths in horsebarns, milking parlors, hog parlors, farrowing pens and holding pens for horses, cows or hogs: Calculate total cubic feet to be treated. Set timer to spray at a rate of 1 second per 1000 cubic feet per nozzle tip. Treatments can be made when animals are present. To avoid contamination, do not place a nozzle within 36 inches of food, water, or animal. Dosage may have to be doubled for open barns or holding pens. Repeat treatments as necessary. Optimum results are obtained when daily applications are made.

Out of Doors: For temporary protection around pools, decks, and terraces. Vacate the area prior to treatment. Do not use when people or domestic animals are present. Allow area to ventilate 15 minutes before reentry. Set timer to spray 10-15 seconds per treatment depending on wind drift. Repeated treatments may be necessary. Nozzle tips should be directed away from ornamental shrubbery, pools, and any surface or object that is susceptible to staining.

Flies, Gnats, Fruit Flies, Wasps, Small Flying Moths, Accessible stages of Yellow Mealworms, Indian Meal Moths (Chocolate Moths), Angoumois Grain Moths, Almond Moths, Foreign grain beetles, Cigarette Beetles, Saw-toothed Grain Beetles, Confused Flour Beetles, and Rice Weevils in food processing plants, canneries, and food storage warehouses and plants containing non-perishable packaged, bagged raw, or processed food commodities, as well as bulk grains and animal feed. Processed foods include flour, sugar, cereals, packaged cookies & crackers. Raw commodities include bagged or bulk field dried beans and peas, cocoa beans, nuts grains, and sweet potatoes. Calculate total cubic feet to be treated. Close all doors and windows. Set timer to spray at a rate of 1 second per 1000 cubic feet per nozzle tip. Do not treat when food processing is in operation. All food processing surfaces should be covered or thoroughly washed and cleaned before using. Do not remain in treated area. Ventilate area when treatment is completed. Sweep up and destroy fallen insects. Repeat treatments as necessary. Optimum results are obtained when daily treatments are made. The insecticide does not penetrate bagged or packaged containers and infested products should be treated by other effective and approved methods.

Flies and other Flying Insects in chicken houses and caged laying houses: Treatment should not be made more often than twice daily. Calculate total cubic feet to be treated. Set timer to spray at a rate of 1 second per 1000 cubic feet per nozzle tip. To avoid contamination, do not place a nozzle within 36 inches of food, water, or fowl. Optimum results are obtained when daily treatments are made.

**ACCEPTED
25 MAY 1994**
Under the Federal Insecticide, Fungicide, and Rodenticide Act as amended, for the pesticide registered under EPA Reg. No. 6959-82