



UNITED STATES ENVIRONMENTAL PROTECTION AGENCY
WASHINGTON, DC 20460

OFFICE OF CHEMICAL SAFETY
AND POLLUTION PREVENTION

April 1, 2015

David Swain
Agent for Reckitt Benckiser LLC
Reckitt Benckiser LLC, d/b/a Reckitt Benckiser
339 Interpace Parkway
Parsippany, NJ 07054

Subject: Notification per PRN 98-10 – Label Notification to revise marketing claim and add new company logo
Product Name: d-CON Bait Station XI Kills Mice
EPA Registration Number: 3282-102
Application Date: February 20, 2015
Decision Number: 501801

Dear David Swain:

The Agency is in receipt of your Application for Pesticide Notification under Pesticide Registration Notice (PRN) 98-10 for the above referenced product. The Registration Division (RD) has conducted a review of this request for its applicability under PRN 98-10 and finds that the action requested falls within the scope of PRN 98-10.

The label submitted with the application has been stamped “Notification” and will be placed in our records.

If you have any questions, please contact Jessica Rogala by phone at 703-347-0263, or via email at rogala.jessica@epa.gov.

Sincerely,

A handwritten signature in black ink, appearing to read "J Rogala".

Mark Suarez, Product Manager 07
Invertebrate & Vertebrate Branch 3
Registration Division (7505P)
Office of Pesticide Programs

OUTER CARTON FRONT LABEL

**d-CON®
Bait Station XI
KILLS MICE**

NOTIFICATION

3282-102

The applicant has certified that no changes, other than those reported to the Agency have been made to the labeling. The Agency acknowledges this notification by letter dated:

04/01/2015

This Bait Station is Resistant to Weather and to Tampering by Children and Dogs.
For Use Indoors and Outdoors.

KEEP OUT OF REACH OF CHILDREN

CAUTION: Read additional precautionary statements on back (side) panel.

ACTIVE INGREDIENT:

Diphacinone

(2-Diphenylacetyl-1, 3-Indandione) 0.005%

OTHER INGREDIENTS: 99.995%

TOTAL. 100.000%

EPA Reg. No.: 3282-102

EPA Est. No.: {insert number}

(Contains:) X (Refillable) Bait Station (and) (+) X Refill(s) (Bait)(Blocks)

(Net Contents:) X/X OZ. (X g) – or – X/X g (X OZ.)

TOTAL: X OZ. (X g) – or – TOTAL: X g (X OZ.)

OUTER CARTON BACK LABEL

Important: For Directions for Use and First Aid instructions in Spanish, please call 1-866-648-1819

IMPORTANTE : Para instrucciones de uso y primeros auxilio en español por favor llame al 1-866-648-1819.

DIRECTIONS FOR USE

It is a violation of Federal law to use this product in a manner inconsistent with its labeling.

READ THIS LABEL: Read this entire label and follow all use directions and use precautions. Use only for sites, pests, and application methods described on this label.

USE RESTRICTIONS: Use only to control house mice. This bait station may be used in and around (within 50 feet of) homes accessible to children and pets, consistent with all use restrictions and other requirements indicated on this label. Do not apply further than 50 feet away from home or building.

Do not place bait in areas where there is a possibility of contaminating food or surfaces that come into direct contact with food.

SELECTION OF TREATMENT AREAS:

Determine areas where house mice will most likely find and consume the bait. Generally, these are along walls, by gnawed openings, in corners and concealed places, or in locations where there are signs of house mice.

TO CONTROL HOUSE MICE:

1. Remove the bait station from the carton
2. Placement: Place along walls or in corners with the entrance holes exposed.

Place bait stations at 8- to 12- foot intervals in appropriate locations in infested areas, as specified on this label. Make sure that mouse entrance holes are exposed.

Maintain stations for a minimum of 15 days or as long as activity persists. Wearing gloves, replace bait in bait station if contents have been consumed, damaged, or if bait is exposed. If bait is not touched after 3 days, move station to a new location where mouse activity is evident. Wearing gloves, collect and dispose of all dead animals and leftover bait properly as specified on this label. To discourage reinfestation, limit sources of rodent food, water and harborage as much as possible. If reinfestation does occur, repeat treatment.

To (Load or) Refill {pictograms may be added to illustrate each step}

You will need both hands to open the station.

1. Find the latch on the underside of the station and the top button.
2. Using one hand, pull the bottom latch fully in the direction shown by the arrow with your index finger and fully press the button on top of the station with your thumb.
3. While still pulling on the bottom latch and pressing the top button, swing the window open with your other hand.
4. Wearing gloves, remove a new bait block from its (packaging) (wrapping).
5. Place the new bait block into the station ensuring that the peg goes through the hole in the bait block. Press block firmly into the station.
6. Close the station by swinging the window back into place until a click is heard.
7. Wash hands thoroughly.

PRECAUTIONARY STATEMENTS:

Hazards to Humans and Domestic Animals

CAUTION: Harmful if swallowed. Keep away from humans, domestic animals and pets. All handlers (including applicators) must wear gloves. Any person who retrieves carcasses, exposed bait, or bait station following application of this product must wear gloves.

FIRST AID	
If Swallowed:	<ul style="list-style-type: none">• Call a Poison Control Center, or doctor IMMEDIATELY for treatment advice.• Have person sip a glass of water if able to swallow.• DO NOT induce vomiting unless told to do so by the Poison Control Center or doctor.
<p style="text-align: center;">TREATMENT FOR PET POISONING If animal eats bait, call veterinarian at once.</p> <p style="text-align: center;">NOTE TO PHYSICIAN OR VETERINARIAN Contains the anticoagulant Diphacinone. If swallowed, this material may reduce clotting ability of the blood and cause bleeding. For humans or animals ingesting bait and/or showing poisoning signs (bleeding or elevated prothrombin times), give Vitamin K1.</p>	
CONTACT NUMBER	
In case of emergency, call toll free 1-800-228-4722. Have the product container or label with you when calling a Poison Control Center or doctor, or going for treatment.	

ENVIRONMENTAL HAZARDS: This product is extremely toxic to mammals, birds and other wildlife. Dogs and other predatory and scavenging mammals and birds might be poisoned if they feed upon animals that have eaten this bait. Do not apply directly to water.

STORAGE AND DISPOSAL

PESTICIDE STORAGE: Store in original container in a dry place inaccessible to children and pets.

PESTICIDE DISPOSAL AND CONTAINER HANDLING : Non-refillable container. Do not reuse or refill this container except as described in the directions for use. **If empty,** place in trash or offer for recycling if available. **If partly filled:** Call your local solid waste agency for disposal instructions. Never place any unused product down any indoor or outdoor drain.

NOTICE TO BUYER AND USER: Buyer and user assume all responsibility for safety and risk associated with any use not in accordance with directions. TO THE EXTENT CONSISTENT WITH APPLICABLE LAW, SELLER SHALL NOT BE LIABLE FOR CONSEQUENTIAL, SPECIAL OR INDIRECT DAMAGES RESULTING FROM THE USE OR HANDLING OF THIS PRODUCT AND SELLER'S SOLE LIABILITY AND BUYER'S AND USER'S EXCLUSIVE REMEDY SHALL BE LIMITED TO THE REFUND OF THE PURCHASE PRICE.

Questions? {telephone icon} 1-800-228-4722
For ingredient (and other) information, www.rbnainfo.com

Distributed by: Reckitt Benckiser
Parsippany, NJ 07054-XXXX

(Made in {insert country}) (Assembled in {insert country}) (Components from {insert country})

RB © [date]

RB (Reckitt Benckiser) logo



LABELING FOR STATION OR REFILLABLE SLEEVES

(Peel back)

**d-CON®
Bait Station XI
KILLS MICE**

**This Bait Station is Resistant to Weather and to Tampering by Children and Dogs.
For Use Indoors and Outdoors.**

ACTIVE INGREDIENT:

Diphacinone (2-Diphenylacetyl-1, 3-Indandione)	0.005%
OTHER INGREDIENTS:	<u>99.995%</u>
TOTAL.	100.000%

(Net Contents:) X OZ. (X grams)

EPA Reg. No.: 3282-102
EPA Est. No.: {insert number}

**DO NOT ALLOW CHILDREN OR PETS TO PLAY WITH BAIT STATION
CAUTION: This product is an anticoagulant type of rodenticide. If swallowed, call
a physician or veterinarian. See outer package label for additional precautionary
statements, first aid information and directions for use.**

This bait station can only be refilled with the bait blocks sold with this station.

Questions? {telephone icon} 1-800-228-4722
For ingredient (and other) information, www.rbnainfo.com

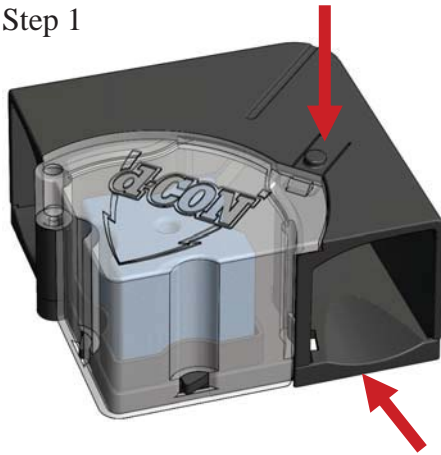
Distributed by: Reckitt Benckiser
Parsippany, NJ 07054-XXXX

(Made in {insert country}) (Assembled in {insert country}) (Components from {insert
country})

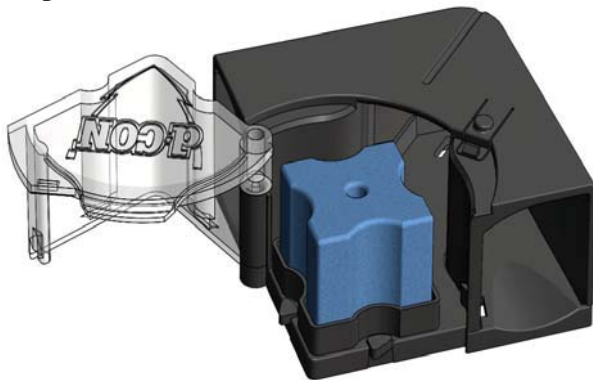
RB © [date]

{OPTIONAL PICTOGRAMS ILLUSTRATING REFILL DIRECTIONS}
To load or refill see “TO LOAD or REFILL” Section

Step 1



Steps 2 - 5



Step 6



Optional Marketing Claims (Front or Back or Side Panel)

Bait block contained in each station
Bait block contained in each station – no pellets!
Bait Station is child (and dog) resistant
Can be used indoors or outdoors
Child and dog resistant [bait] station
Child, dog and weather – resistant [bait station]
Child resistant [bait station]
Child tamper-resistant [bait] station
Clear window (for easy monitoring)
Compact design
Contains bait blocks – no pellets!
Contains Bitrex® (- bittering agent)
Control house mouse problems
Corner Fit™
Discreet
Dog resistant [bait] station
Dog Tested [bait station]
Durable design of [bait] station is child and dog resistant
For use indoors and out
Guaranteed to kill (or your money back)(*)
Helps reduce house mice problems
House mice may consume a lethal dose in multiple nights of feeding with first dead rodents appearing four or five days after feeding begins
Indoor and outdoor use
Kid and Dog Resistant [Bait] Station
Kid & Dog Tamper Resistant [Bait Station]
Kid and Dog Tested [Bait] Station
Kid Tested [bait station]
Kills house mice
Low profile bait station
(House) mice go in, eat the bait, mice go out
Patent Pending
Prebaited (- Ready to use bait station with bait refills included)
Preloaded (- Ready to use) bait station with bait refills included
Ready to use
Refillable Bait Station (with) (contains) Bait refills
(x) Refillable Bait Station(s)
(x) (Refill(s)) (Bait) (Blocks)
(x) Refillable Bait Station(s) + X Refills
(x) Pre-Baited Bait Station(s) + X Refills
(x) (Refillable) Bait Station(s)
X Refills + X Refillable Bait Station(s)
(*) Satisfaction Guaranteed or your money back
Value Pack

Use indoors and out
Weather resistant

Optional Marketing Claims with Pictograms

{The following claims can be used in conjunction with a pictogram.}

Clear window lets you know when to replace bait or dispose of bait station
Compact design
Low profile bait station
Mice go in, eat the bait, mice go out
Refillable
Window shows how much bait is left
Can be used in tight places around the home
Use in tight places (spaces) {pictogram}

Optional Marketing Claims with Pictograms & Qualifier

{The following claims can be used in conjunction with a pictogram.}

Can be used in tight places around the home
Designed to fit in corners, indoors and outdoors, at locations specified in the USE
RESTRICTIONS and in DIRECTIONS FOR USE .
Directions for use: {pictograms showing use sites}
Fits behind some furniture/appliances in label permitted locations
Fits in almost any corner
Use inside (in) (cabinets) (closets) (garages) (attics)
Use under (between) (appliances)
Use (inside) (in) (between) (underneath) (under) (cabinets) (closets) (garages) (attics)
(behind) (and) (or) (appliances)* {pictogram}
Use in tight places (spaces) {pictogram}
Window shows how much bait is left

{The following qualifier statement must appear on the same panel and in close proximity
to the above claims and pictograms }

Must adhere to the Use Restrictions in the Directions for Use section of this label.

OPTIONAL PICTOGRAMS

Front panel graphic of brand name with “kills mice” claim



Optional pictograms showing use sites and directions for use:

As shown below, station fits easily under cabinets, beside appliances, and behind furniture.

Optional pictograms showing use sites and directions for use:

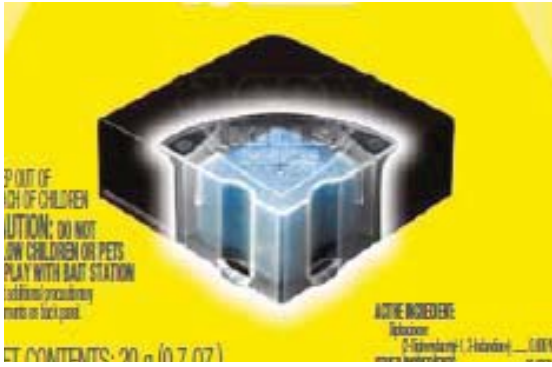


Optional pictogram for “Window shows how much bait is left”



Optional pictogram for “mice go in, eat the bait, mice go out”





† This Bait Station is Resistant to Tampering by Children and Dogs.