

499-496

11/21/2001

1/4



U.S. ENVIRONMENTAL PROTECTION AGENCY
Office of Pesticide Programs
Registration Division (7505C)
1200 Pennsylvania Ave., NW
Washington, D.C. 20460

EPA Reg. Number:

499-496

Date of

11/21/01

Term of Issuance:

Conditional

Name of Pesticide Product:

TC 234

NOTICE OF PESTICIDE:

Registration
 Reregistration

(under FIFRA, as amended)

Name and Address of Registrant (include ZIP Code):

Whitmire Micro-Gen Research Laboratories, Inc.
3568 Tree Court Industrial Blvd.
St. Louis, MO 63122-6682

Note: Changes in labeling differing in substance from that accepted in connection with this registration must be submitted to and accepted by the Registration Division prior to use of the label in commerce. In any correspondence on this product always refer to the above EPA registration number.

On the basis of information furnished by the registrant, the above named pesticide is hereby registered/reregistered under the Federal Insecticide, Fungicide and Rodenticide Act.

Registration is in no way to be construed as an endorsement or recommendation of this product by the Agency. In order to protect health and the environment, the Administrator, on his motion, may at any time suspend or cancel the registration of a pesticide in accordance with the Act. The acceptance of any name in connection with the registration of a product under this Act is not to be construed as giving the registrant a right to exclusive use of the name or to its use if it has been covered by others.

This product is conditionally registered in accordance with FIFRA sec. 3(c)(7)(A) provided that you:

1. Submit and/or cite all data required for registration/reregistration of your product when the Agency requires all registrants of similar products to submit such data.
2. Make the following label changes before you release the product for shipment:
 - a. Revise the EPA Registration Number to read, "EPA Reg. No. 499-496".
3. Submit two copies of the revised final printed label for the record before you release the product for shipment.

If these conditions are not complied with, the registration will be subject to cancellation in accordance with FIFRA sec. 6(e). Your release for shipment of the product constitutes acceptance of these conditions.

A copy of the label stamped "accepted with comments" is enclosed for your records.

Signature of Approving Official:

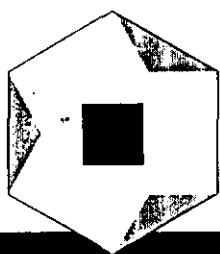
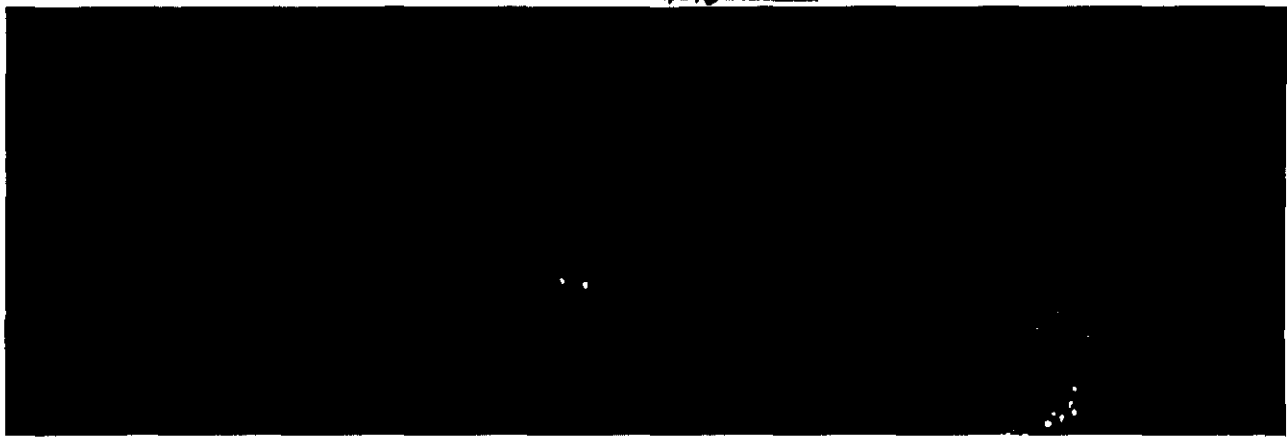
Thomas C. Harris, Biologist
Insecticide-Rodenticide Branch
Registration Division (7504C)

Date:

NOV 21 2001

ACCEPTED
with COMMENTS
In EPA Letter Dated:
NOV 21 2001

Under the Federal Insecticide,
Fungicide, and Rodenticide Act,
as amended, for the pesticide
registered under EPA Reg. No.
499-496



TC 234

Ant Bait Stations

KILLS THE QUEEN, KILLS THE COLONY

EFFECTIVE AGAINST:

- Pharaoh Ants
- Argentine Ants
- Cornfield Ants
- Variety of Household Ants

FOR USE IN AND AROUND:

Apartments, Campgrounds, Food Storage Areas, Homes, Hospitals, Hotels, Meat Packing and Food Processing Plants, Motels, Nursing Homes, Resorts, Restaurants and other Food Handling Establishments, Schools, Supermarkets, Transportation Equipment (Buses, Boats, Ships, Trains, Trucks, Planes), Utilities, Warehouses and other Commercial and Industrial Buildings.

ACTIVE INGREDIENT:

Abamectin B1 0.011%

OTHER INGREDIENTS:

..... 99.989%

EPA Reg. No. 499-UAO EPA Est. No. 56207-WI-2^A EPA Est. No. 499-MO-1^B

(See code in lot number.)

DO NOT ALLOW CHILDREN OR PETS TO PLAY WITH THE BAITS

CAUTION

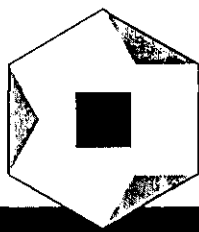
See back panel for additional Precautionary Statements.

NET WEIGHT:



WHITMIRE MICRO-GEN
RESEARCH LABORATORIES, INC.
800-777-8570

TEAR HERE TO OPEN



TC 234

Ant Bait Stations

TC 234 Ant Bait Stations contain a slow acting insect bait. For best results placement of the bait should be into or near insect harborage sites.

PRECAUTIONARY STATEMENTS

FIRST AID

IF ON SKIN OR CLOTHING: Take off contaminated clothing. Rinse skin immediately with plenty of water for 15-20 minutes. Call a poison control center or doctor for treatment advice.

IF IN EYES: Hold eye open and rinse slowly and gently with water for 15-20 minutes. Remove contact lenses, if present, after the first 5 minutes, then continue rinsing eye. Call a poison control center or doctor for treatment advice.

HAZARDS TO HUMANS AND DOMESTIC ANIMALS

CAUTION: Harmful if absorbed through skin. Causes moderate eye irritation. Avoid contact with eyes, skin or clothing. Wash thoroughly with soap and water after handling.

DIRECTIONS FOR USE

IT IS A VIOLATION OF FEDERAL LAW TO USE THIS PRODUCT IN A MANNER INCONSISTENT WITH ITS LABELING.

STORAGE & DISPOSAL

STORAGE: Store in a cool, dry area inaccessible to children.

DISPOSAL: Wrap container and put in trash collection.

ANTS: Concentrate treatment at insect activity sites. Ants are attracted to the bait and it is carried back to the nest to kill the queen and destroy the colony. TC 234 baits are packaged in a child-resistant container.

1. Break bait stations apart from the plastic frame. [Alternate Directions: Remove bait station from container.] To stick on vertical surfaces, remove peel and stick backing on reverse side of bait station.
2. For thorough ant control, use as many bait stations as necessary (normally 3-4 stations for an average size room or 6-8 stations for a heavy infestation).
3. For best results, also place bait stations along walls, baseboards, in corners, under sinks, in

cabinets, pantries, near plumbing, electrical lines, potted plants, waste receptacles, sensitive electronic equipment, inside drop ceilings, wall voids, under and around equipment and appliances.

4. Replace bait stations when necessary, approximately every 3 months.

APPLICATIONS IN FOOD HANDLING

ESTABLISHMENTS: Food handling establishments include places other than private residences in which food is held, processed, prepared or served.

FOOD AREAS: Includes areas for receiving, storage, packing (canning, bottling, wrapping, boxing), preparing, edible waste storage and enclosed processing systems (mills, dairies, edible oils, syrups). Avoid contamination of food. Use as instructed above.

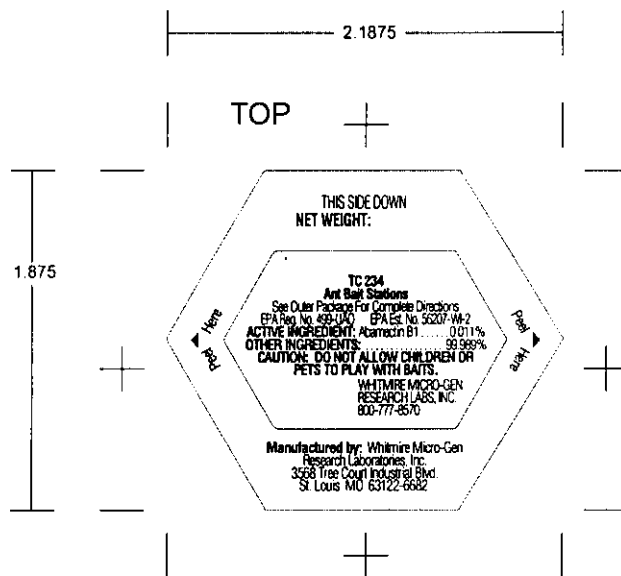
AIRCRAFT CABINS: Place bait stations in suspected and active ant areas. Place bait stations in areas between elements of construction. Use up to 6 bait stations per galley and up to 3 bait stations per rest room. In cargo holds, use 6-12 bait stations per 100 sq. feet. Do not use bait stations in cockpit area.

A PRESCRIPTION TREATMENT® brand insecticide from:

Whitmire Micro-Gen Research Laboratories, Inc.
3568 Tree Court Industrial Blvd. • St. Louis, MO 63122-6682 • www.wmrg.com
© 2001 Whitmire Micro-Gen Research Laboratories, Inc.

TC 234-2, 4 Package Label v1.02 (rev. 5/01)

BASIC LABEL:



ALTERNATE LABEL:

