

PERCLORON[®] FINES

ACTIVE INGREDIENT Calcium Hypochlorite
(available chlorine 70%)

INERT INGREDIENTS

BACTERICIDE • ALGAECIDE • DISINFECTANT

DANGER: KEEP OUT OF REACH
OF CHILDREN. FATAL IF SWALLOWED.
LOWED MAY PRODUCE SEVERE CHEMICAL BURNS.
DO NOT GET IN EYES, ON SKIN, OR CLOTHING.

FIRST AID: If inhaled, remove to fresh air. If swallowed, drink water. If on skin, wash with water. If in eyes, flush with water for 15 minutes.

DIRECTIONS FOR SWIMMING POOL USE: For pool start-up, add at least 5 ounces of PerCLORon Fines for each 5000 gallons of water to satisfy the chlorine demand of the water and reach the initial chlorine residual of 0.6 ppm (stabilized pools require 1.0 ppm). The pH of the pool should be maintained with proper products such as our Aquet and Dry Acid in the range of 7.2-7.6 as determined periodically by a suitable test kit. Continue with one ounce PerCLORon Fines per 5000 gallons of water as necessary to maintain the minimum chlorine residuals at all times. Health regulatory agencies usually require 0.6 to 1.0 ppm for non-stabilized pools and 1.0 to 1.5 ppm for stabilized pools (determined by daily or more frequent checks with a chlorine test kit). Variations in temperature, sunlight, organic matter (leaves, grass, dust), and bathing loads will influence the rate of chlorine consumption and determine the PerCLORon Fines dosages. To stabilize chlorine in the pool water, use an acceptable stabilizer such as our Pennswat Pool Stabilizer.

AUTOMATIC CHLORINE FEEDER FOR THE PREPARATION OF STOCK SOLUTION (EQUIPPED WITH A METERING PUMP) 1-1 SOLUTION: Add 1 pound of PerCLORon Fines to 8 gallons of lukewarm water, stir well, and allow to settle. Pour off the clear liquid into feeder storage tank. By means of a positive displacement pump or a chemical metering pump, the 1-1 solution is fed at the filter end directly to pool water at a rate of 1 gallon for each 10,000 gallons of water.

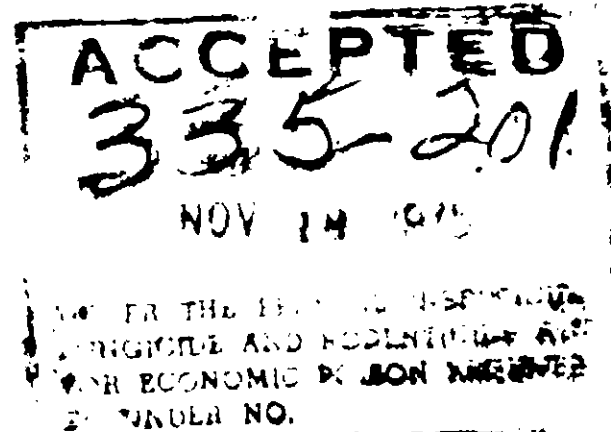
This product is toxic to fish. Treated effluent should not be discharged where it will drain into lakes, streams, ponds, or public water. Do not contaminate water by cleaning of equipment or disposal of wastes. Apply this product only as specified on this label.

EPA REG. NO. 335-201
EPA EST. NO. 4851-MI-1

SPACE FOR SHIPPING LABEL

 **PENNWALT**

PENNWALT
CORPORATION
Philadelphia
Pa. 19102



**100
LB. NET**

14126-09

USE ONLY A CLEAN, DRY SCOOP MADE
OF METAL, CERAMIC, PLASTIC OR GLASS

DO NOT SKID

DO NOT DROP

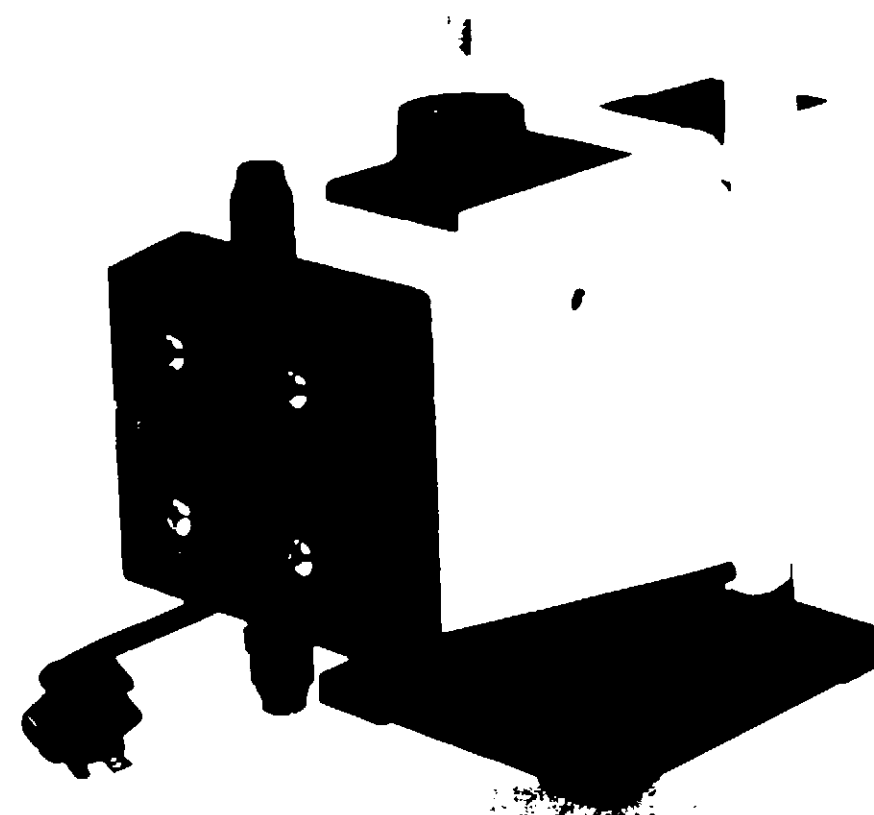
FOR: mild solutions of water treatment chemicals.

CAPACITY: Three models with capacities of 20 gpd, 65 gpd, 125 gpd

PRESSURE: full vacuum to 100 psi.

CONTROL: manual or automatic start-stop.

These low-cost diaphragm metering pumps are durable. They have heavy duty motors and gear trains, nylon-reinforced diaphragms, and few moving parts. They have positive-displacement diaphragms for accurate delivery. The housings are entirely corrosion-resistant plastic. ABS pumping heads give long life with mild chemical solutions.



INDUSTRIAL USES

94 Series Solution Pumps meter chlorine solutions in small food plants, fish plants, trawlers, abattoirs. Meter hypochlorite for slime control. Treat plating and other industrial wastes. Remove iron and manganese.

POTABLE WATER AND WASTE TREATMENT

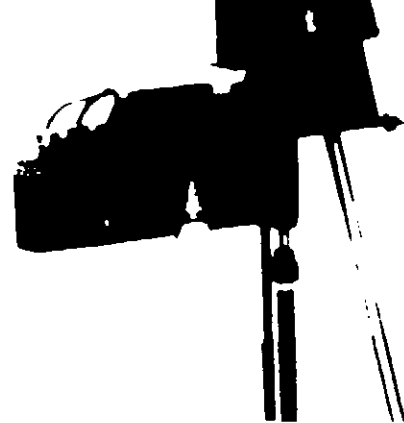
94 Series Solution Pumps meter water treatment chemicals for housing projects, farms, trailer courts, motels, summer camps. Add chemicals to disinfect domestic wastes and to control odors in septic tanks. Also for water softening and fluoridation.

SWIMMING POOLS

94 Series Solution Pumps meter hypochlorite to protect bathers, to keep water clear and free of algae, to keep slime off pool sides and bottom.

Manufactured by Wallace & Tiernan Division, PENNWALT Corporation, Belleville, N.J. 07109

Sold and serviced by



The standard 105-gallon steel pump assembly with an inch-long float cable is shown at the top. The shelf-mounted tank head of the pump, the metering pump, agitator, and level switch.

At the center, attached to the shelf, contains a level switch, 1/4-hp mixer, and mixer. The latter actuates a buzzer at pre-set low level. A button silences the buzzer and turns on an alarm light. The circuit resets automatically when the level in the tank is corrected.

A 105-gallon polyethylene tank, a 1/4-hp mixer, a 94 Series Solution Metering Pump (choice of capacities), and a shelf-mounted level switch complete the standard system.

Any component of a standard system or any of the following components may be purchased separately. All are stock components available off the shelf.

SOLUTION TANKS

Polyethylene tanks for 30, 50, 105, and 210 gallons of solution. The 30- and 50-gallon tanks have clear graduations every 5 gallons. Both the latter are available with fiber-glass covers. The covers have recesses to support the pump, level switch, and mixer. A capped hole permits refilling without removing the cover.

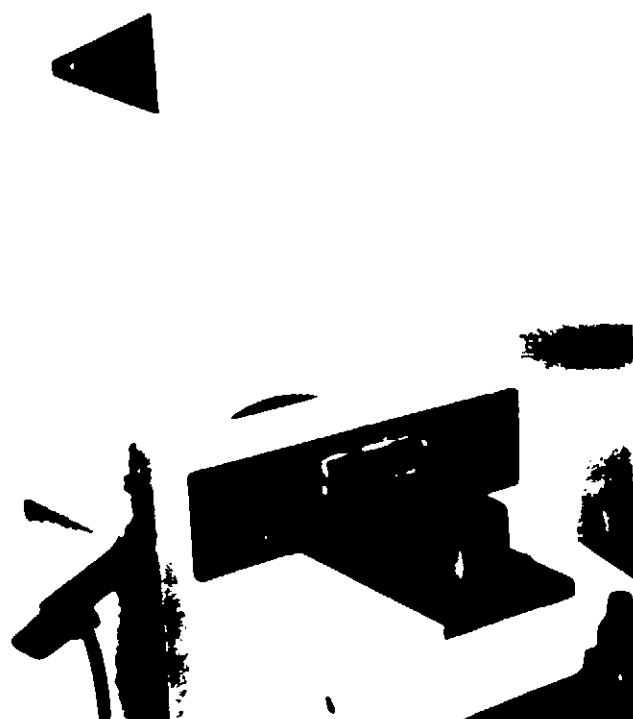
MIXERS

1/4-hp (1725 rpm), 1/4-hp (1725 rpm), or 1/2-hp (1500 rpm). Choice of 316 stainless shaft and impeller or PVC-coated shaft and PVC impeller.

LIQUID-LEVEL SWITCHES

Corrosion-resistant plastic switch for mounting on the pump shelf or tank cover. It can be wired to actuate a remote alarm or shut the pump off or both.

Another switch for mounting in the pump handle has a built-in alarm light. It can be wired to operate a remote alarm. Or with a relay it can be wired to shut the pump off.



Liquid level switch locates neatly in pump handle. Red alarm light is at center behind feed rate adjusting knob. Float cable shows at left with pump discharge connection at far right.

Progressive change in design may be made without prior announcement

WALLACE & TIERNAN
DIVISION

2000 W. 10th Street, Minneapolis, MN 55425

WALLACE 940 100
Revised 6/74

Circle 16A

EASY INSTALLATION

A mounting plate is screwed or bolted to any vertical or horizontal surface. The plate is designed so that the pump body is slid into position, where it is held securely. The pump can be secured by the bottom, or by either side for mounting with the pumping head on the right or left. A plug-in electrical cord is furnished.

ANTI-SYPHON, OVERHEAT, AND FLOODING PROTECTION

The discharge has an anti-siphon spring. It prevents siphoning when operation is against less than atmospheric pressure. A built-in switch prevents the motor from overheating. A flexible boot behind the diaphragm prevents flooding of the interior in the event of diaphragm failure or leakage.

COMPACT, EASY TO CLEAN

Largest model of the pump occupies less than one-half cubic foot of space. The pumping head and valves come apart easily for cleaning.

LONG LIFE, LOW MAINTENANCE

The housing and wetted parts are made of corrosion-resistant plastics. The stroking mechanism has bearings which absorb pumping loads on the push rod. Diaphragm movement by a single shaft and liberal use of sealed ball bearings mean trouble-free pumping. Nylon-reinforced Hypalon and a short stroking length (3.16-inch for all models) extend diaphragm life.

FOR FLUORIDATION

94 Series Solution Metering Pumps give long operating life with such chemicals as sodium fluoride and sodium silicofluoride. With a simple conversion kit, these pumps can be used to meter fluosilicic acid.

CONVENIENT

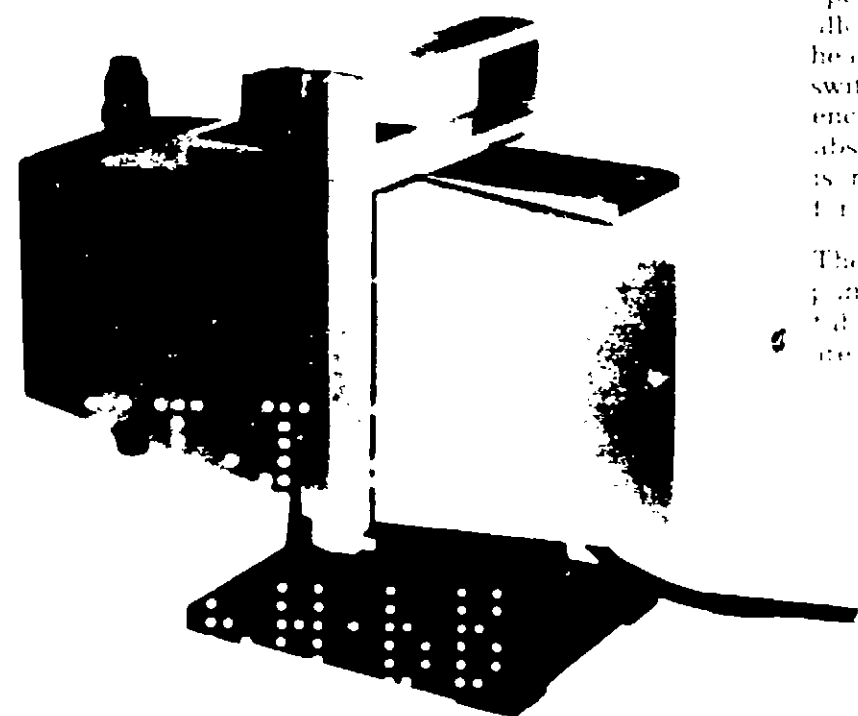
For start-stop operation, the pump is easily wired into a water pump or timer circuit. The motor is brushless; causes no radio or TV interference. Feed rate is adjustable with the pump operating.

94 Series Solution Metering Pumps handle the following water and waste treatment chemicals: alum, ammonium silicofluoride, calcium hypochlorite, copper sulfate, ferric chloride, ferric sulfate, ferrous sulfate, soda ash, sodium aluminate, sodium carbonate, sodium bisulfate, sodium chloride, sodium hexametaphosphate (Calgon), sodium hypochlorite, sodium metasilicate, sodium silicofluoride, sodium sulfate, sodium thiosulfate, and with a conversion kit, fluosilicic acid.

Willace & Tiernan 94 Series Solution Metering Pumps are positive-displacement diaphragm types designed to meter mildly corrosive water and waste treatment or industrial chemicals. Model 94-100 has a capacity of 20 gpd. Model 94-120 has a capacity of 65 gpd. Model 94-130 has a capacity of 125 gpd.

Feed rate is continuously adjustable over a 10 to 1 range with the pump operating. Maximum discharge pressure is 100 psi. A removeable plate allows the pump to be mounted from the bottom or either side (pumping head left or right). The motor is fan-cooled and brushless with a built-in switch to prevent overheating. The motor and stroking mechanism are enclosed in an ABS housing. In the mechanism, heavy-duty bearings absorb loads on the push rod. Stroking length is 3.16-inch. The diaphragm is nylon-reinforced Hypalon. Both valves have O-rings on the poppets for a tight, renewable seal.

The housing and motor are made of flame-retardant ABS. Suction and discharge tubing, 1/2-inch diameter, and other optional accessories and instructions are packaged with the pump.



| MODEL NUMBER | CAPACITY | STROKING SPEED |
|--------------|----------|----------------|
| 94-100 | 20 gpd | 18 strokes/min |
| 94-120 | 65 gpd | 18 strokes/min |
| 94-130 | 125 gpd | 18 strokes/min |

discharge pressure

Full vacuum to 100 psi (30 meters)

feed rate adjustment

10 to 1 range

stroke length

Maximum is 3.16-inch. Manufactured to ±.0005 in.

motor

The 20 gpd model has a brushless, shaded pole motor with a full load current of 0.6 ampere. The 65 gpd and 125 gpd models have a capacity motor rated at 0.48 ampere. Motors operate on 115 ± 10% volts, 50/60 Hz single-phase power. They are fan-cooled and have a switch which prevents coil temperature from exceeding 150°C (230°F). 50/60 Hz motors are available for 20 gpd models (0.3 ampere) and for 125 gpd models (0.5 ampere).

ambient temperature limits

35 to 125 F.

connections

Suction and discharge have threaded compression fittings for 1/4" ID x 3/8" OD plastic tubing.

materials of construction

| | |
|---------------------|------------------------------------|
| Housing | ABS |
| Motor cover | Self-extinguishing ABS |
| Pumping head | ABS |
| Diaphragm | Nylon-reinforced Hypalon |
| Other wetted parts | Hypalon, Viton, Kynar, Fildon, PVC |
| Tubing connections | PVC |
| Suction tubing | Transparent polyethylene |
| Discharge tubing | Black polyethylene |
| Main connection | PVC, Kynar, Hypalon, Viton |
| Foot valve strainer | Polyethylene, Fildon, Kynar, Viton |

accessories furnished

10 feet of discharge tubing, suction strainer, 1/2-inch diameter, 10-foot length, 1/2-inch diameter, 10-foot length, and instructions for maintenance.

optional accessories

A pump tank metering system (see next page) for 30, 60, 90, 120, 150, 180, 210, 240, 270, 300, 330, 360, 390, 420, 450, 480, 510, 540, 570, 600, 630, 660, 690, 720, 750, 780, 810, 840, 870, 900, 930, 960, 990, 1020, 1050, 1080, 1110, 1140, 1170, 1200, 1230, 1260, 1290, 1320, 1350, 1380, 1410, 1440, 1470, 1500, 1530, 1560, 1590, 1620, 1650, 1680, 1710, 1740, 1770, 1800, 1830, 1860, 1890, 1920, 1950, 1980, 2010, 2040, 2070, 2100, 2130, 2160, 2190, 2220, 2250, 2280, 2310, 2340, 2370, 2400, 2430, 2460, 2490, 2520, 2550, 2580, 2610, 2640, 2670, 2700, 2730, 2760, 2790, 2820, 2850, 2880, 2910, 2940, 2970, 3000, 3030, 3060, 3090, 3120, 3150, 3180, 3210, 3240, 3270, 3300, 3330, 3360, 3390, 3420, 3450, 3480, 3510, 3540, 3570, 3600, 3630, 3660, 3690, 3720, 3750, 3780, 3810, 3840, 3870, 3900, 3930, 3960, 3990, 4020, 4050, 4080, 4110, 4140, 4170, 4200, 4230, 4260, 4290, 4320, 4350, 4380, 4410, 4440, 4470, 4500, 4530, 4560, 4590, 4620, 4650, 4680, 4710, 4740, 4770, 4800, 4830, 4860, 4890, 4920, 4950, 4980, 5010, 5040, 5070, 5100, 5130, 5160, 5190, 5220, 5250, 5280, 5310, 5340, 5370, 5400, 5430, 5460, 5490, 5520, 5550, 5580, 5610, 5640, 5670, 5700, 5730, 5760, 5790, 5820, 5850, 5880, 5910, 5940, 5970, 6000, 6030, 6060, 6090, 6120, 6150, 6180, 6210, 6240, 6270, 6300, 6330, 6360, 6390, 6420, 6450, 6480, 6510, 6540, 6570, 6600, 6630, 6660, 6690, 6720, 6750, 6780, 6810, 6840, 6870, 6900, 6930, 6960, 6990, 7020, 7050, 7080, 7110, 7140, 7170, 7200, 7230, 7260, 7290, 7320, 7350, 7380, 7410, 7440, 7470, 7500, 7530, 7560, 7590, 7620, 7650, 7680, 7710, 7740, 7770, 7800, 7830, 7860, 7890, 7920, 7950, 7980, 8010, 8040, 8070, 8100, 8130, 8160, 8190, 8220, 8250, 8280, 8310, 8340, 8370, 8400, 8430, 8460, 8490, 8520, 8550, 8580, 8610, 8640, 8670, 8700, 8730, 8760, 8790, 8820, 8850, 8880, 8910, 8940, 8970, 9000, 9030, 9060, 9090, 9120, 9150, 9180, 9210, 9240, 9270, 9300, 9330, 9360, 9390, 9420, 9450, 9480, 9510, 9540, 9570, 9600, 9630, 9660, 9690, 9720, 9750, 9780, 9810, 9840, 9870, 9900, 9930, 9960, 9990.

dimensions

20 gpd model: 8 1/2" x 10 1/2" x 8 1/2" (216 x 267 x 216 mm)
65 gpd model: 12 1/2" x 10"

weight

20 gpd model: 8.5 lbs (3.86 kg)

shipping weight

20 gpd model: 12.0 lbs (5.44 kg) 65 and 125 gpd models: 16.0 lbs (7.26 kg)

Economy Priced

SLURRY FEEDER



H30M1



The H30M1 is capable of feeding 30 gallons (113.5 liters) per day of a 5% slurry mixture. Ideal for many industrial applications, the H30M1 is particularly suited for swimming pool D.E. filter systems of up to 200,000 gallons (757 cubic meters) or 450 sq. feet (41.8 square meters) of filter area. In some instances a flushing device may be desirable so the H30M1 is designed for use with the Mec-O-Matic 5-20 Auto Flush. See Bulletin 68-151 for more information.

The H30 M1, companion to the popular H-J line of solution feeders, is designed to provide the ultimate in low cost slurry feed -- by incorporating many features not previously available in a slurry unit at this price level. Some of these features are a ball-sleeve valving system which is self-wiping, a vital characteristic in slurry feed, a "standpipe" design prevents draining of the pumping cavity, even during prolonged stand-by periods -- reliable priming is assured, convenient and sure tubing connections are provided as a result of 1/2" taper fittings together with the swivel fitting to the reservoir body.

H30 M1 SPECIFICATIONS

| FEED RATE 24 HOURS | FEED RATE 1 HOUR | SLURRY CONCENTRATION | P.H. | P.S.I. |
|-----------------------|---------------------|-------------------------|------|---------------------------|
| 30 Gals. | 1.25 Gals. | 5% | 30 | 40 |
| 113.5 Liters | 4.7 Liters | | | 2.8 Kg/cm ² |

DIAPHRAGM - Mec-O-Matic

Mec-O-Matic INC

8515 S.W. 129th Terrace • MIAMI, FLA. 33156
WESTERN DIVISION • 15100 W. 40th Pk. • PHOENIX, ARIZ. 85044

Bulletin No. 69-161 H30MI SLURRY FEEDER - TECHNICAL DATA

| FILTER SIZE | | WATER THROUGH FILTER IN GALLONS | | | AMOUNT OF D.E. IN 50 GAL. OF WATER | |
|-------------|----------|---------------------------------|---------|----------|------------------------------------|----------|
| SQ. FT. | DIAMETER | 6 HOURS | 8 HOURS | 10 HOURS | oz. | lb. |
| 10 | .93 | 7,200 | 9,600 | 12,000 | 10 oz. | .28 lb. |
| 15 | 1.39 | 10,800 | 14,400 | 18,000 | 15 oz. | .42 lb. |
| 20 | 1.86 | 14,400 | 19,200 | 24,000 | 20 oz. | .56 lb. |
| 25 | 2.32 | 18,000 | 24,000 | 30,000 | 25 oz. | .71 lb. |
| 30 | 2.79 | 21,600 | 28,800 | 36,000 | 30 oz. | .85 lb. |
| 35 | 3.25 | 25,200 | 33,600 | 42,000 | 35 oz. | 1.00 lb. |
| 40 | 3.72 | 28,800 | 38,400 | 48,000 | 40 oz. | 1.14 lb. |
| 45 | 4.18 | 32,400 | 43,200 | 54,000 | 45 oz. | 1.27 lb. |
| 50 | 4.65 | 36,000 | 48,000 | 60,000 | 50 oz. | 1.41 lb. |
| 55 | 5.11 | 39,600 | 52,800 | 66,000 | 55 oz. | 1.55 lb. |
| 60 | 5.58 | 43,200 | 57,600 | 72,000 | 60 oz. | 1.69 lb. |
| 65 | 6.04 | 46,800 | 62,400 | 78,000 | 65 oz. | 1.83 lb. |
| 70 | 6.51 | 50,400 | 67,200 | 84,000 | 70 oz. | 1.97 lb. |
| 75 | 6.97 | 54,000 | 72,000 | 90,000 | 75 oz. | 2.11 lb. |
| 80 | 7.44 | 57,600 | 76,800 | 96,000 | 80 oz. | 2.25 lb. |
| 85 | 7.90 | 61,200 | 81,600 | 102,000 | 85 oz. | 2.39 lb. |
| 90 | 8.37 | 64,800 | 86,400 | 108,000 | 90 oz. | 2.53 lb. |
| 95 | 8.83 | 68,400 | 91,200 | 114,000 | 95 oz. | 2.67 lb. |
| 100 | 9.3 | 72,000 | 96,000 | 120,000 | 100 oz. | 2.81 lb. |

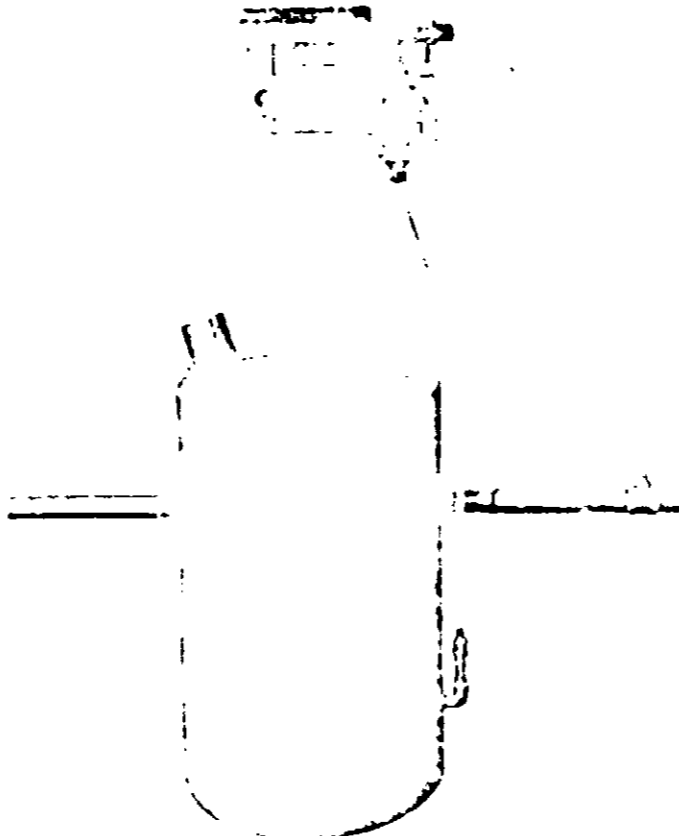
NOTE: Analysis was made on water at 70°F.

MATERIAL SPECIFICATIONS

GEAR MOTOR: 1/2 HP, 1725 RPM
 HOUSING: Mild Steel, 1/2" thick
 GEAR CASE: Cast Iron
 PUMP: Cast Iron
 HEAD: Mild Steel
 VALVE: Cast Iron
 SEALS: Viton
 FITTINGS: Cast Iron
 TUBING: 1/2" ID, 1/4" wall
 LUBRICANT: SAE 30 Motor Oil
 ELECTRICAL: 115V, 60Hz

KIT INCLUDES:

- 1 Motor
- 1 Gear Case
- 1 Head
- 1 Valve
- 1 Seal Kit
- 1 Fitting Kit
- 1 Tubing Kit
- 1 Lubricant
- 1 Electrical Kit



TYPICAL INSTALLATION

This diagram is for informational purposes only. Installation should be done according to the instructions provided in the manual.

Mec O Matic products are patented or patents are pending.
WARRANTY: MEC O MATIC warrants that the parts of this equipment are made of quality materials and that the unit will perform satisfactorily under normal operating conditions for a period of 12 months from the date of installation. This warranty does not cover parts that are damaged or worn due to misuse, neglect, or improper operation. The user must maintain the equipment in good working order and keep it clean. Repairs and service are provided at the discretion of Mec O Matic. This WARRANTY is void if the equipment is used for any purpose other than that intended by the manufacturer.