



UNITED STATES ENVIRONMENTAL PROTECTION AGENCY
WASHINGTON, DC 20460

OFFICE OF CHEMICAL SAFETY
AND POLLUTION PREVENTION

February 4, 2022

Jeffrey Nelson
Regulatory Affairs Specialist
McLaughlin Gormley King Company
7325 Aspen Ln N
Minneapolis, MN 55428

Subject: Label Amendment – Add alternate device DFU for a new device.
Product Name: MGK Formula 3156
EPA Registration Number: 1021-2826
Application Date: 10/20/2020
Decision Number: 568917

Dear Mr. Nelson:

The amended label referred to above, submitted in connection with registration under the Federal Insecticide, Fungicide and Rodenticide Act, as amended, is acceptable. This approval does not affect any conditions that were previously imposed on this registration. You continue to be subject to existing conditions on your registration and any deadlines connected with them.

A stamped copy of your labeling is enclosed for your records. This labeling supersedes all previously accepted labeling. You must submit one copy of the final printed labeling before you release the product for shipment with the new labeling. In accordance with 40 CFR 152.130(c), you may distribute or sell this product under the previously approved labeling for 18 months from the date of this letter. After 18 months, you may only distribute or sell this product if it bears this new revised labeling or subsequently approved labeling. "To distribute or sell" is defined under FIFRA section 2(gg) and its implementing regulation at 40 CFR 152.3.

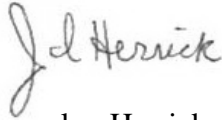
Should you wish to add/retain a reference to the company's website on your label, then please be aware that the website becomes labeling under the Federal Insecticide Fungicide and Rodenticide Act and is subject to review by the Agency. If the website is false or misleading, the product would be misbranded and unlawful to sell or distribute under FIFRA section 12(a)(1)(E). 40 CFR 156.10(a)(5) list examples of statements EPA may consider false or misleading. In addition, regardless of whether a website is referenced on your product's label, claims made on the website may not substantially differ from those claims approved through the registration process. Therefore, should the Agency find or if it is brought to our attention that a website contains false or misleading statements or claims substantially differing from the EPA approved registration, the website will be referred to the EPA's Office of Enforcement and Compliance.

Your release for shipment of the product constitutes acceptance of these conditions. If these conditions are not complied with, the registration will be subject to cancellation in accordance

Page 2 of 2
EPA Reg. No. 1021-2826
Decision No. 568917

with FIFRA section 6. If you have any questions, please contact Jamey Shuler by phone at (202) 566-2898, or via email at Shuler.Jamey@epa.gov.

Sincerely,

A handwritten signature in cursive script that reads "J. Herrick".

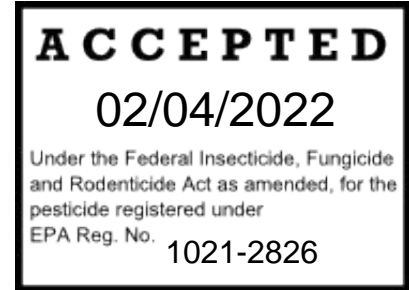
Jacquelyn Herrick, Product Manager 03
Invertebrate & Vertebrate Branch 1
Registration Division (7505P)
Office of Pesticide Programs

Enclosure

MGK[®] Formula 3156

For Outdoor Use Only

- [Repels [protects against] [biting] mosquitoes, including those that may transmit encephalitis,[Chikungunya] [West Nile Virus], [Eastern equine encephalitis], [Western equine encephalitis], [La Crosse encephalitis], [California encephalitis], [St. Louis encephalitis] and [dengue].
- Repels mosquitoes
- Repels [biting] mosquitoes
- Repels mosquitoes, including the Aedes mosquito that may carry and transmit Zika virus.
- Repels mosquitoes that may carry and transmit Zika virus.
- Provides effective mosquito protection
- Easy to Use
- Convenient
- No Mess, no sprays, no creams
- Non-Staining
- Odorless
- Unscented
- Repellent you don't apply to [spray on] clothes [or skin].
- Repellent is odorless, [silent] [and invisible area of protection]]



{Additional alternate bullets at end of label}

ACTIVE INGREDIENT:

Metofluthrin.....	4.0%
*OTHER INGREDIENTS.....	96.0%
	100.0%

* Contains petroleum distillate

KEEP OUT OF REACH OF CHILDREN

CAUTION

See [side (back) panel] [inside (outside) packaging] insert for additional precautions

PRECAUCION AL CONSUMIDOR: Si usted no lee inglés, no utilice este producto hasta que la etiqueta le haya sido explicada ampliamente.
(TO THE USER: If you cannot read English, do not use this product until the label has been fully explained to you.)

FIRST AID	
IF SWALLOWED:	<ul style="list-style-type: none">• Immediately call a poison control center or doctor.• Do not induce vomiting unless told to do so by a poison control center or doctor.• Do not give any liquid to the person.• Do not give anything by mouth to an unconscious person.
HOTLINE NUMBER	
Have the product container or label with you when calling a poison control center or doctor, or going for treatment. In case of Medical emergencies or health and safety inquiries or in case of fire, leaking or damaged containers, information may be obtained by calling 1-888-740-8712.	
NOTE TO PHYSICIAN	
Contains petroleum distillate – vomiting may cause aspiration pneumonia.	

Manufactured by



7325 Aspen Lane North
Minneapolis, MN 55428

EPA Reg. No. 1021-2826

EPA Est. No.

Net Contents: _____

{Product Name with fixture}

Contains: 1 to 8 Fixture(s) [Device(s)] [Unit(s)] and 1 x 0.81 fl. oz. (24 ml) to 8 x 0.81 fl. oz. or 1 x 1.52 fl. oz. (45 ml) to 8 x 1.52 fl. oz. (45 ml) or 1 x 1.69 fl. oz. (50 ml) to 8 x 1.69 fl. oz. (50 ml) Bottle Name [Repellent Bottle(s)] [Repellent Cartridge(s)] [Repellent Refill(s)]

{Bottle only}

Contain(s): 1 x 0.81 fl. oz. (24 ml) to 8 x 0.81 fl. oz. (24 ml) or 1 x 1.52 fl. oz. (45 ml) to 8 x 1.52 fl. oz. (45 ml) or 1 x 1.69 fl. oz. (50 ml) to 8 x 1.69 fl. oz. (50 ml) Bottle Name [Repellent Bottle(s)] [Repellent Cartridge(s)] [Repellent Refill(s)]

[Lot Number

PRECAUTIONARY STATEMENTS

HAZARDS TO HUMANS AND DOMESTIC ANIMALS

CAUTION: Harmful if swallowed. Wash hands thoroughly with soap and water after handling and before eating, drinking, chewing gum, using tobacco or using the toilet.

ENVIRONMENTAL HAZARDS

Do not apply to water.

DIRECTIONS FOR USE

It is a violation of Federal law to use this product in a manner inconsistent with its labeling.

For use outdoors on patios, decks, unenclosed porches, walkways, around swimming pools and other areas where mosquito protection is desired.

Do not use indoors.

Do not pry MGK FORMULA 3156 [Bottle Name] [Repellent Bottle] [Repellent Cartridge] [Repellent Refill] open.

For best results [protection] [coverage] [for a typical sized deck or patio] place [install] one fixture [Product Name] [Device] [Unit] every 10 to 12 ft. around [throughout] the area you wish to protect [from biting mosquitoes].

[A set of 4 Fixtures [Devices] [Units] provides up to 440 square feet of mosquito protection.]

[A set of 5 Fixtures [Devices] [Units] provides up to 550 square feet of mosquito protection.]

[A set of 6 Fixtures [Devices] [Units] provides up to 660 square feet of mosquito protection.]

The Vaporizer [Liquid] [Repellent] [Emanator] works [operates] independently from [with or without] the Light [Light Fixture] [Lamp] [LED].

The Vaporizer [Liquid] [Repellent] [Emanator] should be turned off when not in use.

The Vaporizer [Liquid] [Repellent] [Emanator] will get hot while in use. Always allow Vaporizer [Liquid] [Repellent] [Emanator] to cool before replacing with MGK FORMULA 3156 [Bottle Name] [Repellent Bottle] [Repellent Cartridge] [Repellent Refill].

After 6 weeks of use, Open [Remove] Fixture [device] cover and visually inspect MGK FORMULA 3156 [Bottle Name] [Repellent Bottle] [Repellent Cartridge] [Repellent Refill] to determine usage rate.

The claimed hours of repellency are an average based on lab testing, and presume using 90% of repellent provided. The last 10% of repellent is not claimed, as repellency effectiveness may diminish with reduced wick exposure. Your repellent usage rate will vary based on the temperature and relative humidity.

The Vaporizer [Liquid] [Repellent] [Emanator] power-on indicator light will flash when device has been operated for approximately 195 hours, indicating that MGK FORMULA 3156 [Bottle Name] [Repellent Bottle] [Repellent Cartridge] [Repellent Refill] has about 20 hours remaining of effective operating life. We recommend that you check the MGK FORMULA 3156 [Bottle Name] [Repellent Bottle] [Repellent Cartridge] [Repellent Refill] and replace it before it is empty, or when you notice increased mosquito activity.

Replace when MGK FORMULA 3156 [Bottle Name] [Repellent Bottle] [Repellent Cartridge] [Repellent Refill] is empty.

Replace MGK FORMULA 3156 [Bottle Name] [Repellent Bottle] [Repellent Cartridge] [Repellent Refill] when power to device is [turned] off.

Do not insert [use] anything other than MGK FORMULA 3156 [Bottle Name] [Repellent Bottle] [Repellent Cartridge] [Repellent Refill] in [to] the Fixture [product name] [Device] [Unit].

Operating Instructions:

Use [transformer] [optional controller] photo sensor, [timer] [or switch] to operate [to turn on] Vaporizer [mosquito repellent] [repellent] [mosquito protection] [system] [device] [Liquid] [Repellent] [Emanator].

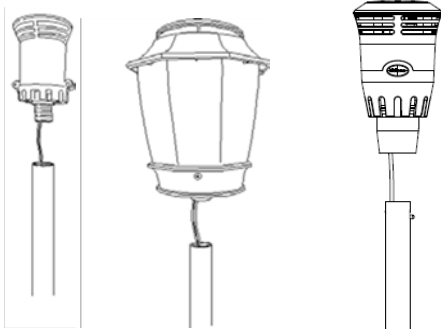
Use [transformer] [optional controller] photo sensor, [timer,] [or switch] to operate [turn on] Light [Light Fixture] [Lamp] [LED].

Use with 12v transformer and controller provided [available separately].

Installation instructions –

[Turn off electricity at main circuit breaker panel before beginning installation.] Consult local building codes to ensure compliance with wiring and grounding requirements.

- 1) Attach each Fixture [Device] [Unit] to post or stem, using hardware provided making sure Fixture [Device] [Unit] is level.



- 2) Connect Vaporizer [Liquid] [Repellent] [Emanator] and Light [Light Fixture] [Lamp] [LED] wires to controlled 12v power source, [or use [Product name] Controller and Transformer].

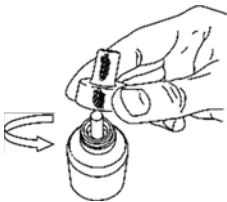
- 3) Place [Install] one MGK FORMULA 3156 [product name] [Fixture] [Device] [Unit] every 10

to 12 feet. If you have any questions about wiring, get assistance from a professional electrical contractor.

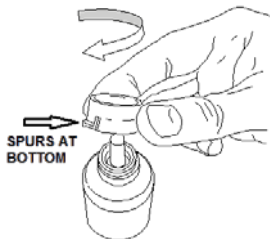
When using for the first time [For first time] [Initial] Use:

How to insert MGK FORMULA 3156 [Bottle Name] [Repellent Bottle] [Repellent Cartridge] [Repellent Refill] Into Fixture [Device] [Unit].

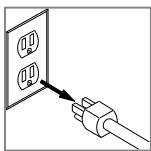
1. Remove 1 (one) MGK FORMULA 3156 [Bottle Name] [Repellent Bottle] [Repellent Cartridge] [Repellent Refill] from packaging.
2. Place on a flat surface and remove protective cap.



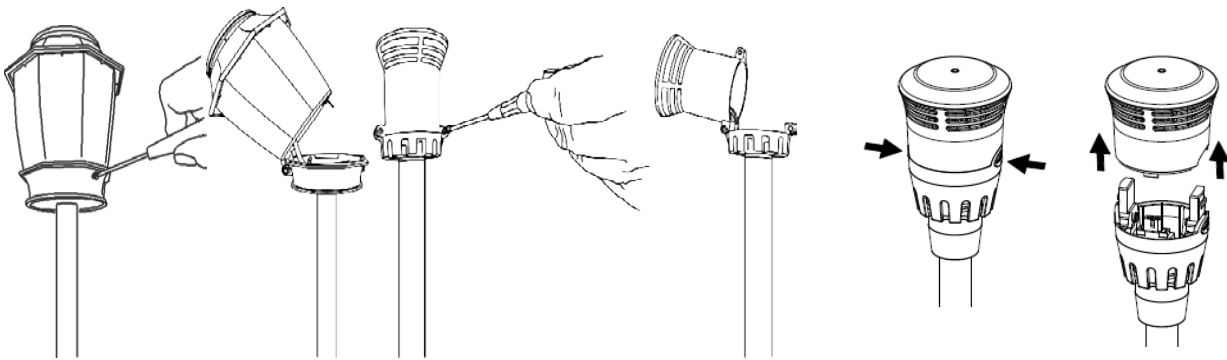
3. Attach locking adaptor cap to bottle with spurs at bottom, closest to bottom of bottle, and turn until secure. Once attached properly, this cap is not removable. [Only applicable to certain models.]



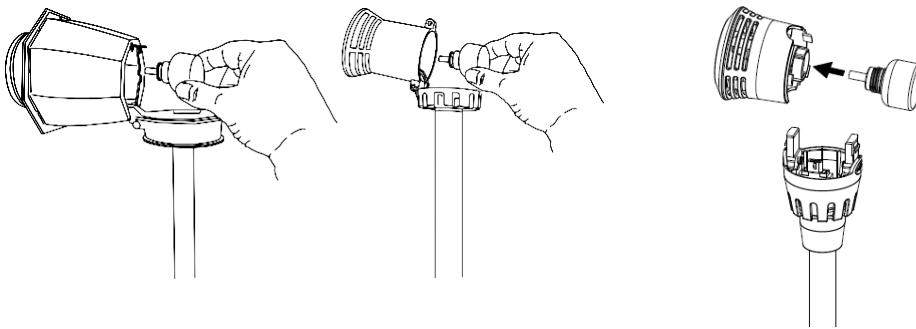
4. Unplug [Disconnect power to] Fixture [Device] [Unit].



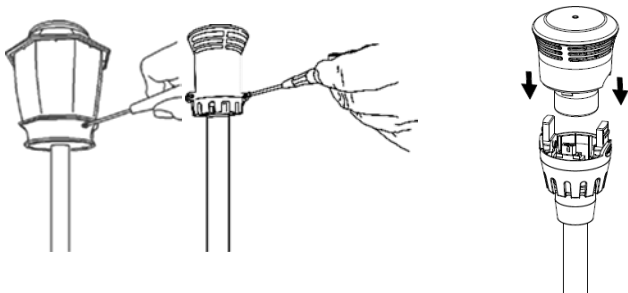
5. Open [Remove] Fixture [Device] [Unit] cover.



6. Ensuring that the locking adaptor cap is secured to the [Repellent Bottle] [Repellent Cartridge] [Repellent Refill], carefully insert MGK FORMULA 3156 [Bottle Name] [Repellent Bottle] [Repellent Cartridge] [Repellent Refill] into fixture so that top of wick fits into Vaporizer [Liquid] [Repellent] [Emanator] and rotate about 30 degrees to secure to fixture. [No rotation necessary for certain models.]



7. Replace [Attach] Fixture [Device] [Unit] cover.



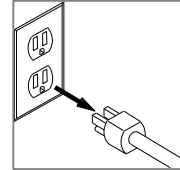
8. Repeat for each Fixture [Device] [Unit] [reconnect power]

9. When finished, plug in Fixture [Device] [Unit] [reconnect power].

10. When finished, plug in Fixture [Device] [Unit] [reconnect power].

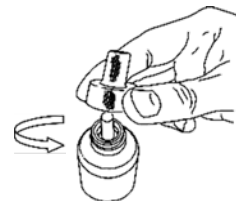
How to replace empty MGK FORMULA 3156 [Bottle Name] [Repellent Bottle] [Repellent Cartridge] [Repellent Refill] into fixture [device].

1. Unplug [Disconnect power to] Fixture [Device] [Unit]. If Vaporizer [Liquid] [Repellent] [Emanator] has been operating, allow at least 1 hour to cool down before handling.

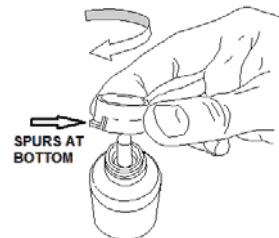


2. Remove 1 (one) MGK FORMULA 3156 [Bottle Name] [Repellent Bottle] [Repellent Cartridge] [Repellent Refill] from packaging.

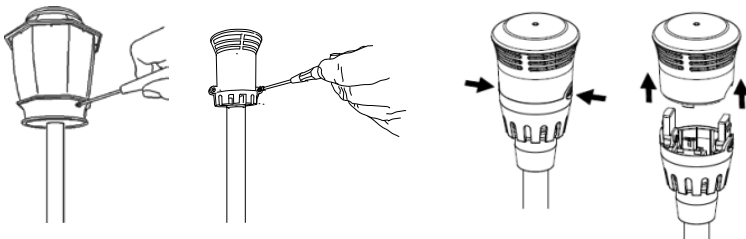
3. Place on a flat surface and remove protective cap.



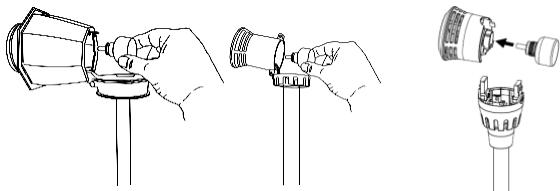
4. Attach locking adaptor cap to bottle with spurs at bottom, closest to bottom of bottle, and turn until secure. Once attached properly, this cap is not removable. [Only applicable to certain models.]



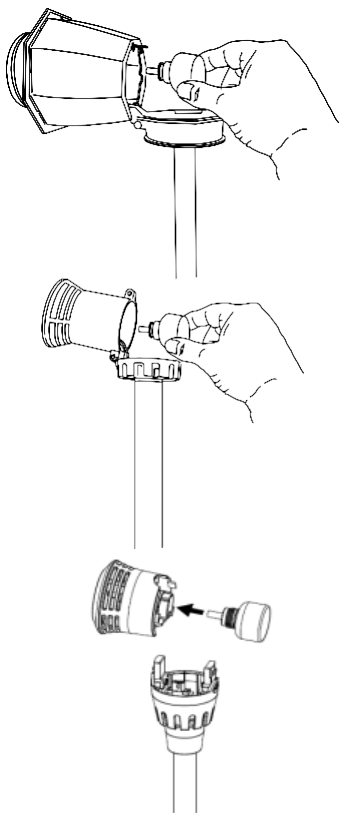
5. Open [Remove] Fixture [Device] [Unit] cover.



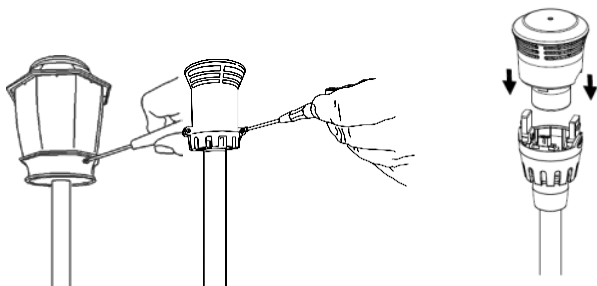
6. Remove used [empty] MGK FORMULA 3156 [Bottle Name] [Repellent Bottle] [Repellent Cartridge] [Repellent Refill] From assembly.



7. Ensuring that the locking adaptor cap is secured to the [Repellent Bottle] [Repellent Cartridge] [Repellent Refill], carefully insert MGK FORMULA 3156 [Bottle Name] [Repellent Bottle] [Repellent Cartridge] [Repellent Refill] into fixture so that top of wick fits into Vaporizer [Liquid] [Repellent] [Emanator] and rotate about 30 degrees to secure to fixture. [No rotation necessary for certain models]



8. Replace [re-attach] [Fixture] [Device] [Unit] cover.



9. Repeat for each Fixture [Device] [Unit].
10. When finished, plug in Fixture [Device] [Unit] [reconnect power].

STORAGE AND DISPOSAL

Do not contaminate water, food, or feed by storage and disposal of repellent unit.

PESTICIDE STORAGE: Store in a cool, dry place. Keep container tightly closed. Store refills out of direct sunlight.

PESTICIDE DISPOSAL AND CONTAINER HANDLING: Non-refillable [liquid vaporizer] [bottle] [cartridge] [container]. Do not reuse or refill this [liquid vaporizer] [bottle] [cartridge] [container]. **If empty**: Place in trash or offer for recycling if available. **If partly filled**: Use remaining product according to label directions for use or call your local solid waste agency for disposal instruction. Never place unused product down any indoor or outdoor drain.

[ALTERNATE FORMATTING FOR DIRECTIONS FOR USE]

DIRECTIONS FOR USE

It is a violation of Federal Law to use this product in a manner inconsistent with its labeling.

For use outdoors on patios, decks, unenclosed porches, walkways, around swimming pools and other areas where mosquito protection is desired.

Do not use indoors.

Do not pry MGK FORMULA 3156 [PRODUCT NAME] Repellent Cartridge open.

For best results install one [PRODUCT NAME] unit every 10 feet to 12 feet around the area you wish to protect from biting mosquitoes.

A set of 4 units provides up to 440 square feet of mosquito protection.

The Vaporizer works with or without the Light.

The Vaporizer should be turned off when not in use.

The Vaporizer will get hot while in use. Always allow Vaporizer to cool before replacing with MGK FORMULA 3156 [PRODUCT NAME] Repellent Cartridge.

After 6 weeks of use, Open Fixture cover and visually inspect MGK FORMULA 3156 [PRODUCT NAME] Repellent Cartridge to determine usage rate.

The claimed hours of repellency are an average based on lab testing, and presume using 90% of repellent provided. The last 10% of repellent is not claimed, as repellency effectiveness may diminish with reduced wick exposure. Your repellent usage rate will vary based on the temperature and relative humidity.

The Vaporizer power-on indicator light will flash when device has been operated for approximately 195 hours, indicating that MGK FORMULA 3156 [PRODUCT NAME] Repellent Cartridge has about 20 hours remaining of effective operating life. We recommend that you check the MGK FORMULA 3156 [PRODUCT NAME] Repellent Cartridge and replace it before it is empty, or when you notice increased mosquito activity.

Replace when MGK FORMULA 3156 [PRODUCT NAME] Repellent Cartridge is empty.

Replace MGK FORMULA 3156 [PRODUCT NAME] Repellent Cartridge when power to device is off.

Do not use anything other than MGK FORMULA 3156 [PRODUCT NAME] Repellent Cartridge in the [PRODUCT NAME] fixture.

OPERATING INSTRUCTIONS

Use Transformer or optional controller to operate Vaporizer.

Use transformer or optional controller to operate light.

Use with 12v transformer and controller available separately.

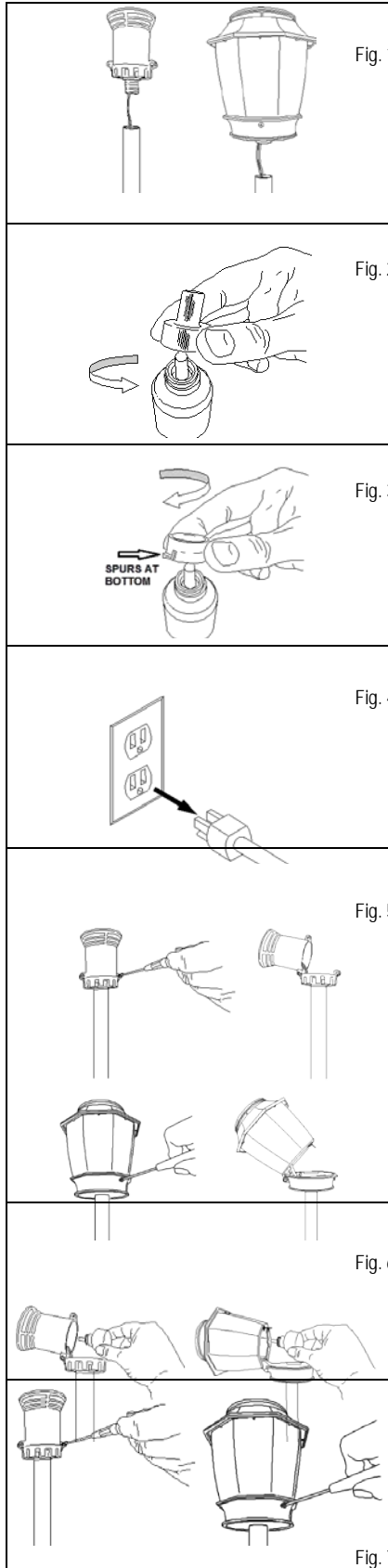
INSTALLATION INSTRUCTIONS

Turn off electricity at main circuit breaker panel before beginning installation. Consult local building codes to ensure compliance with wiring and grounding requirements.

1. Attach each Fixture to post or stem, using hardware provided making sure Fixture is level. Fig. 1.
2. Connect Vaporizer and Light wires to controlled 12v power source, or use [PRODUCT NAME] Controller and Transformer.
3. Install one MGK FORMULA 3156 [PRODUCT NAME] Fixture every 10 to 12 feet.

If you have any questions about wiring, get assistance from a professional electrical contractor.

[PRODUCT NAME]



**FOR FIRST TIME USE:
HOW TO INSERT MGK FORMULA 3156 [PRODUCT NAME]
REPELLENT CARTRIDGE INTO FIXTURE**

1. Remove 1 (one) MGK FORMULA 3156 [PRODUCT NAME] Repellent Cartridge from packaging.
2. Place on a flat surface and remove protective cap. Fig. 2.
3. Attach locking adaptor cap to bottle with spurs at bottom, closest to bottom of bottle, and turn until secure. Once attached properly, this cap is not removable. Fig. 3.
4. Disconnect power to Fixture. Fig. 4.
5. Open Fixture cover. Fig. 5.
6. Ensuring that the locking adaptor cap is secured to the Repellent Cartridge, carefully insert MGK FORMULA 3156 [PRODUCT NAME] Repellent Cartridge into fixture so that top of wick fits into Vaporizer and rotate about 30 degrees to secure to fixture. Fig. 6.
7. Replace Fixture cover. Fig. 7.
8. Repeat for each Fixture.
9. When finished, reconnect power.

**HOW TO REPLACE EMPTY MGK FORMULA 3156
[PRODUCT NAME] REPELLENT CARTRIDGE INTO
FIXTURE:**

1. Disconnect power to Fixture. If Vaporizer has been operating, allow at least 1 hour to cool down before handling. Fig. 4.
2. Remove 1 (one) MGK FORMULA 3156 [PRODUCT NAME] Repellent Cartridge from packaging.
3. Place on a flat surface and remove protective cap. Fig. 2.
4. Attach locking adaptor cap to bottle with spurs at bottom, closest to bottom of bottle, and turn until secure. Once attached properly, this cap is not removable. Fig. 3.
5. Open Fixture cover. Fig. 5.
6. Remove used MGK FORMULA 3156 [PRODUCT NAME] Repellent Cartridge from assembly.
7. Ensuring that the locking adaptor cap is secured to the Repellent Cartridge, carefully insert MGK FORMULA 3156 [PRODUCT NAME] Repellent Cartridge into fixture so that top of wick fits into Vaporizer and rotate about 30 degrees to secure to fixture. Fig. 6.
8. Replace cover. Fig. 7.
9. Repeat for each Fixture.
10. When finished, reconnect power.

STORAGE AND DISPOSAL

PESTICIDE STORAGE: Store in a cool dry place. Keep container tightly closed. Store refills out of direct sunlight.

PESTICIDE DISPOSAL AND CONTAINER HANDLING: Non-refillable cartridge. Do not reuse or refill this cartridge. **If empty:** Place in trash or offer for recycling if available. **If partly filled:** Use remaining product according to label directions for use or call your local solid waste agency for disposal instruction. Never place unused product down any indoor or outdoor drain.

[ALTERNATE FORMATTING FOR DIRECTIONS FOR USE - DIY INSTALLATION]

DIRECTIONS FOR USE

It is a violation of Federal Law to use this product in a manner inconsistent with its labeling.

For use outdoors on patios, decks, unenclosed porches, walkways, around swimming pools and other areas where mosquito protection is desired.

Do not use indoors.

Do not pry MGK Formula 3156 Repellent Cartridge open.

For best results install one MGK Formula 3156 unit every 10 feet to 12 feet around the area you wish to protect from biting mosquitoes.

A set of 4 units provides up to 440 square feet of mosquito protection.

The Vaporizer works with or without the Light.

The Vaporizer should be turned off when not in use.

The Vaporizer will get hot while in use. Always allow Vaporizer to cool before replacing with MGK Formula 3156 Repellent Cartridge.

After 6 weeks of use, Open Fixture cover and visually inspect MGK Formula 3156 Repellent Cartridge to determine usage rate.

The claimed hours of repellency are an average based on lab testing, and presume using 90% of repellent provided. The last 10% of repellent is not claimed, as repellency effectiveness may diminish with reduced wick exposure. Your repellent usage rate will vary based on the temperature and relative humidity.

The Vaporizer power-on indicator light will flash when device has been operated for approximately 195 hours, indicating that MGK Formula 3156 Repellent Cartridge has about 20 hours remaining of effective operating life. We recommend that you check the MGK Formula 3156 Repellent Cartridge and replace it before it is empty, or when you notice increased mosquito activity.

Replace when MGK Formula 3156 Repellent Cartridge is empty.

Replace MGK Formula 3156 Repellent Cartridge when power to device is off.

Do not use anything other than MGK Formula 3156 Repellent Cartridge in the MGK Formula 3156 Fixture.

OPERATING INSTRUCTIONS

Use transformer or optional controller to operate Vaporizer.

Use transformer or optional controller to operate Light.

Use with transformer and controller available separately.

INSTALLATION INSTRUCTIONS

Turn off electricity at main circuit breaker panel before beginning installation. Consult local building codes to ensure compliance with wiring and grounding requirements.

1. Attach each Fixture to post or stem, using hardware provided making sure Fixture is level. Fig. 1.
2. Connect Vaporizer and Light wires to controlled 12v power source, or use MGK Formula 3156 Controller and Transformer.
3. Install one MGK Formula 3156 Fixture every 10 to 12 feet.

If you have any questions about wiring, get assistance from a professional electrical contractor.

FOR FIRST TIME USE:

HOW TO INSERT MGK FORMULA 3156 REPELLENT CARTRIDGE INTO FIXTURE.

1. Remove 1 (one) MGK Formula 3156 Repellent Cartridge from packaging.
2. Place on a flat surface and remove protective cap. Fig. 2.
3. Attach locking adaptor cap to bottle with spurs at bottom, closest to bottom of bottle, and turn until secure. Once attached properly, this cap is not removable. Only applicable to certain models. Fig. 3.
4. Disconnect power to Fixture. Fig. 4.
5. Open Fixture cover. Fig. 5.

[PRODUCT NAME]

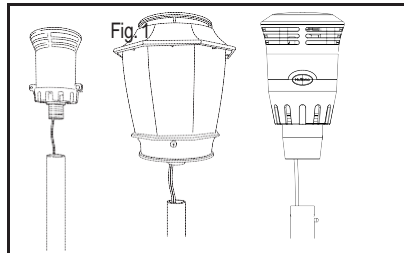


Fig. 2

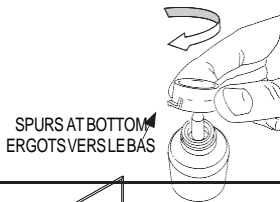
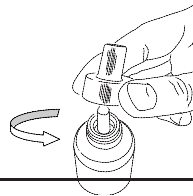


Fig. 3

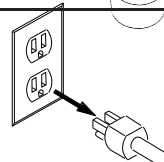


Fig. 4

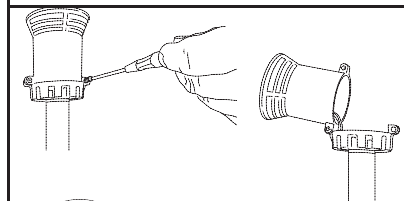
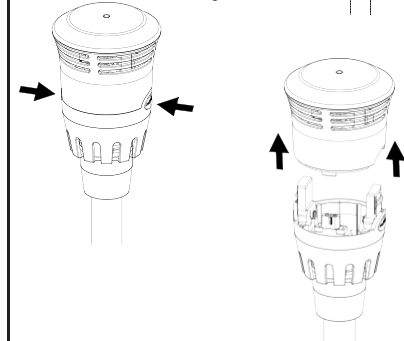


Fig. 5



INSTRUCCIONES DE USO

Es una violación a la Ley Federal usar este producto de manera inconsistente con su etiqueta.

Para usarse en exteriores como patios, plataformas, porches abiertos, banquetas, alrededor de albercas y otras áreas donde se desea protección contra mosquitos.

No se use en interiores.

No apalanque para abrir el Cartucho de repelente MGK FORMULA 3156.

Para mejores resultados, instale una unidad de MGK Formula 3156 a cada 10 a 12 pies alrededor del área que desea proteger contra los piquetes de mosquitos.

Un juego de 4 unidades proporciona una protección contra mosquitos de hasta 440 pies cuadrados.

El Vaporizador funciona con o sin la luz.

El Vaporizador debe apagarse cuando no esté en uso.

El Vaporizador se calentará durante su uso. Siempre permita que el Vaporizador se enfríe antes de reemplazar el Cartucho de repelente MGK FORMULA 3156.

Después de 6 semanas de uso, abra la tapa del dispositivo y revise visualmente el Cartucho de repelente MGK FORMULA 3156 para determinar el grado de uso.

Las horas afirmadas de repelencia son un promedio basado en pruebas de laboratorio, y se presume el uso de 90% del repelente proporcionado. El 10% de repelente restante no se afirma, ya que la eficacia de repelencia puede disminuir con la exposición reducida de la mecha. El grado de uso del repelente varía basado en la temperatura y humedad relativa.

La luz indicadora de encendido del Vaporizador parpadeará cuando el dispositivo haya funcionado durante 195 horas aproximadamente, indicando que el Cartucho de repelente MGK FORMULA 3156 tiene alrededor de 20 horas restantes de vida útil efectiva. Recomendamos que revise el Cartucho de repelente MGK FORMULA 3156 y lo reemplace antes de que se vacíe, o cuando note un aumento en la actividad de mosquitos.

Reemplace cuando el Cartucho de repelente MGK FORMULA 3156 se vacíe.

Reemplace el Cartucho de repelente MGK FORMULA 3156 con el dispositivo apagado.

No use nada distinto al Cartucho de repelente MGK FORMULA 3156 en el Dispositivo MGK Formula 3156.

INSTRUCCIONES DE OPERACIÓN

Use un transformador o controlador opcional para operar el Vaporizador.

Use un transformador o controlador opcional para operar la lámpara.

Use con un transformador y controlador disponible por separado.

INSTRUCCIONES DE INSTALACIÓN

Antes de comenzar con la instalación, corte la electricidad en el panel de interruptores de circuito principal. Consulte los códigos de construcción locales para asegurarse de que cumpla con los requerimientos de cableado y conexión a tierra.

1. Fije cada dispositivo a un poste o vástago usando los herrajes proporcionados y asegurándose de que el dispositivo esté nivelado. Fig. 1.
2. Conecte los cables de la Lámpara y el Vaporizador a la alimentación de 12 v controlada, o use el controlador y transformador MGK Formula 3156.
3. Instale un Dispositivo MGK FORMULA 3156 a cada 10 a 12 pies.

Si tiene alguna pregunta acerca del cableado, obtenga ayuda de un electricista profesional.

PARA EL PRIMER USO: CÓMO INSERTAR EL CARTUCHO DE REPELENTE MGK FORMULA 3156 EN EL DISPOSITIVO

1. Saque 1 (uno) Cartucho de repelente MGK FORMULA 3156 del empaque.
2. Colóquelo sobre una superficie plana y quite la tapa protectora. Fig. 2.
3. Fije la tapa con adaptador de bloqueo a la botella con las rebabas abajo, lo más cerca del fondo de la botella, y gire hasta que quede bien firme. Una vez fija de manera adecuada, ya no se puede quitar esta tapa. Solo se aplica para ciertos modelos. Fig. 3.
4. Desconecte la electricidad del dispositivo. Fig. 4.
5. Abra la tapa del dispositivo. Fig. 5.

- Ensuring that the locking adaptor cap is secured to the Repellent Cartridge, carefully insert MGK Formula 3156 Repellent Cartridge into fixture so that top of wick fits into Vaporizer and rotate about 30 degrees to secure to fixture. No rotation necessary for certain models. Fig. 6.
- Replace Fixture cover. Fig. 7.
- Repeat for each Fixture.
- When finished, reconnect power.

HOW TO REPLACE EMPTY MGK FORMULA 3156 REPELLENT CARTRIDGE INTO FIXTURE.

- Disconnect power to Fixture. If Vaporizer has been operating, allow at least 1 hour to cool down before handling. Fig. 4.
- Remove 1 (one) MGK Formula 3156 Repellent Cartridge from packaging.
- Place on a flat surface and remove protective cap. Fig. 2.
- Attach locking adaptor cap to bottle with spurs at bottom, closest to bottom of bottle, and turn until secure. Once attached properly, this cap is not removable. Only applicable to certain models. Fig. 3.
- Open Fixture cover. Fig. 5.
- Remove used MGK Formula 3156 Repellent Cartridge from assembly. Fig. 6.
- Ensuring that the locking adaptor cap is secured to the Repellent Cartridge, carefully insert MGK Formula 3156 Repellent Cartridge into fixture so that top of wick fits into Vaporizer and rotate about 30 degrees to secure to fixture. No rotation necessary for certain models. Fig. 6.
- Replace cover. Fig. 7.
- Repeat for each Fixture.
- When finished, reconnect power.

Storage and Disposal

Do not contaminate water, food, or feed by storage and disposal of repellent unit.

Pesticide Storage: Store in a cool, dry place. Keep container tightly closed. Store refills out of direct sunlight.

Pesticide Disposal and Container Handling: Non-refillable cartridge. Do not reuse or refill this cartridge. **If empty:** Place in trash or offer for recycling if available. **If partly filled:** Use remaining product according to label directions for use or call your local solid waste agency for disposal instruction. Never place unused product down any indoor or outdoor drain.

Keep Out of Reach of Children

CAUTION

[Fixture made in China.
MGK Formula 3156 Repellent Cartridge made in Italy.]

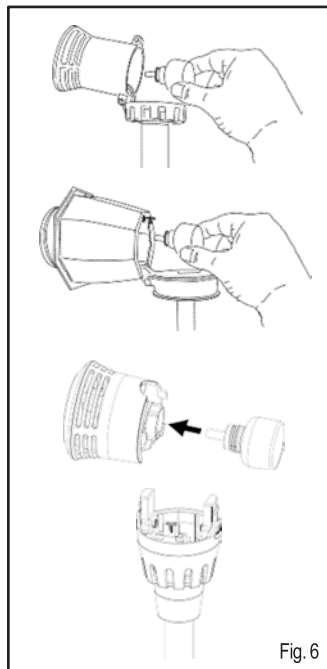


Fig. 6

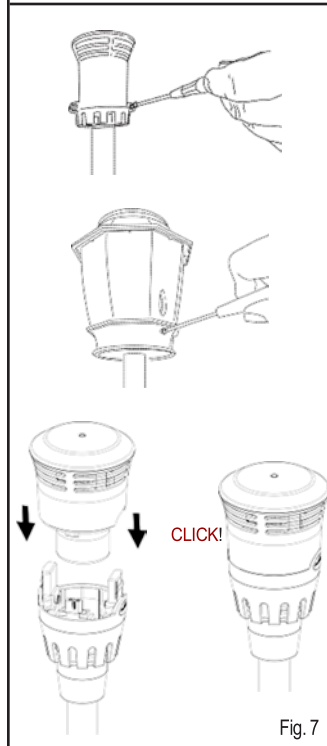


Fig. 7

- Asegúrese de que la tapa con adaptador de bloqueo esté fija al Cartucho de repelente, luego inserte cuidadosamente el Cartucho de repelente MGK FORMULA 3156 de modo que la parte superior de la mecha encaje en el Vaporizador y gire alrededor de 30 grados para fijarlo al dispositivo. Ciertos modelos no necesitan este giro. Fig. 6.
- Vuelva a poner la tapa del dispositivo. Fig. 7.
- Repita los pasos para cada dispositivo.
- Cuando termine, reconecte la electricidad.

CÓMO REEMPLAZAR UN CARTUCHO DE REPELENTE MGK FORMULA 3156 VACÍO EN EL DISPOSITIVO

- Desconecte la electricidad del dispositivo. Si el Vaporizador ha estado funcionando, deje que se enfríe durante 1 hora por lo menos antes de manejarlo. Fig. 4.
- Saque 1 (uno) Cartucho de repelente MGK FORMULA 3156 del empaque.
- Colóquelo sobre una superficie plana y quite la tapa protectora. Fig. 2
- Fije la tapa con adaptador de bloqueo a la botella con las rebabas abajo, lo más cerca del fondo de la botella, y gire hasta que quede bien firme. Una vez fija de manera adecuada, ya no se puede quitar esta tapa. Solo se aplica para ciertos modelos. Fig. 3.
- Abra la tapa del dispositivo. Fig. 5.
- Quite el Cartucho de repelente MGK FORMULA 3156 usado del ensamble. Fig. 6.
- Asegúrese de que la tapa con adaptador de bloqueo esté fija al Cartucho de repelente, luego inserte cuidadosamente el Cartucho de repelente MGK FORMULA 3156 de modo que la parte superior de la mecha encaje en el Vaporizador y gire alrededor de 30 grados para fijarlo al dispositivo. Ciertos modelos no necesitan este giro. Fig. 6.
- Vuelva a poner la tapa. Fig. 7.
- Repita los pasos para cada dispositivo.
- Cuando termine, reconecte la electricidad.

ALMACENAMIENTO Y DESECHO

No contamine agua, alimentos o pienso cuando almacene y deseche la unidad de repelente.

Almacenamiento de pesticidas: Almacene en un lugar fresco y seco. Mantenga el recipiente muy bien cerrado. Almacene los repuestos lejos de la luz directa del sol.

Desecho de pesticidas y manejo de recipientes: Cartucho no rellenable. No reutilice ni rellene este cartucho. **Si está vacío o si ya terminó la temporada, deseche la parte sin usar de acuerdo con las instrucciones en la etiqueta:** Coloque en la basura. **Si está parcialmente lleno:** Llame a la agencia de residuos sólidos de su localidad para recibir instrucciones para el desecho. Nunca coloque el producto sin usar en algún drenaje interior o exterior.

Mantenga fuera del alcance de los niños.
PRECAUCIÓN

[Accesorio hecho en China.
Cartucho de repelente de MGK Formula 3156 hecho en Italia.]

[ALTERNATE DEVICE DIRECTIONS FOR USE]

DIRECTIONS FOR USE

It is a violation of Federal Law to use this product in a manner inconsistent with its labeling.

[NOTE TO REVIEWER: Emanation rate is .112 mL/hr; Claims below are based on an 8mL cartridge fill]

For use outdoors on patios, decks, unenclosed porches, walkways, around swimming pools and other areas where mosquito protection is desired. Do not use indoors.

Do not pry [PIC Mosquito Repellent LED Repellent Cartridge Refill] open.

For best results [protection] install a PIC Mosquito Repellent LED in your outdoor fixture every 10 to 12 ft. around the area you wish to protect from biting mosquitoes.

The [PRODUCT NAME] LED works independently with or without the LED Light.

The [PRODUCT NAME] LED should be turned off when not in use.

The [PRODUCT NAME] LED will get hot while in use. Always allow the [PRODUCT NAME] LED to cool before replacing with [PRODUCT NAME] Cartridge Refill.

The claimed hours of repellency are an average based on lab testing, and presume using 90% of repellent provided. The last 10% of repellent is not claimed, as repellency effectiveness may diminish with reduced wick exposure. Your repellent usage rate will vary based on the temperature and relative humidity.

The [PRODUCT NAME] LED [Repellent Cartridge] [Repellent Bottle] [Cartridge Refill] [Color] indicator continuous light will remain on when repellent vaporizer is activated and the [PRODUCT NAME] LED [Repellent Cartridge] [Repellent Bottle] [Cartridge Refill] contains a sufficient amount of repellent.

The [PRODUCT NAME] LED [Repellent Cartridge] [Repellent Bottle] [Cartridge Refill] [Color] indicator light will flash when repellent vaporizer has been operated for approximately 60 hours, indicating that MGK FORMULA 3156 [Bottle Name] [Repellent Bottle] [Repellent Cartridge] [Repellent Refill] has about 4 hours remaining of effective operating life. We recommended that you check the MGK FORMULA 3156 [Bottle Name] [Repellent Bottle] [Repellent Cartridge] [Repellent Refill] and replace it before it is empty, or when you notice increased mosquito activity.

The [Repellent Cartridge] [Repellent Bottle] [Cartridge Refill] [Color] indicator light will flash if the refill is not inserted in the [PRODUCT NAME] or when the [Repellent Cartridge] [Repellent Bottle] [Cartridge Refill] has reached the end of its operating life.

Replace when [PRODUCT NAME] [Repellent Cartridge] [Repellent Bottle] [Cartridge Refill] is empty.

Replace [PRODUCT NAME] [Repellent Cartridge] [Repellent Bottle] [Cartridge Refill] when power to device is off.

Do not insert / use anything other than [PRODUCT NAME] [Repellent Cartridge] [Repellent Bottle] [Cartridge Refill] in the [PRODUCT NAME] LED

Operating Instructions:

Use Power switch to turn on [PRODUCT NAME] LED only mode.

Use Power switch to operate as LED and repellent. Turn switch on then off and back on again to activate in LED light and repellent mode together.

Total days of use per [PRODUCT NAME] [Repellent Cartridge] [Repellent Bottle] [Cartridge Refill] is 31 days when used 2 hours per day.

Installation instructions:

Installing [PRODUCT NAME] LED. (Images)

How to insert [PRODUCT NAME] [Repellent Cartridge] [Repellent Bottle] [Cartridge Refill] Into the PIC Mosquito Repellent LED

- 1. Remove [PRODUCT NAME] LED from light fixture.



Figure 1

- 2. Remove 1 [PRODUCT NAME] Repellent Cartridge [Repellent Bottle] [Cartridge Refill] from packaging.
3. Place on a flat surface and remove protective cap.



Figure 2

- Carefully insert [PRODUCT NAME] Repellent Cartridge [Repellent Bottle] [Cartridge Refill] into [PRODUCT NAME] LED and rotate the [PRODUCT NAME] [Repellent Cartridge] [Repellent Bottle] [Cartridge Refill] clockwise until fully secure.

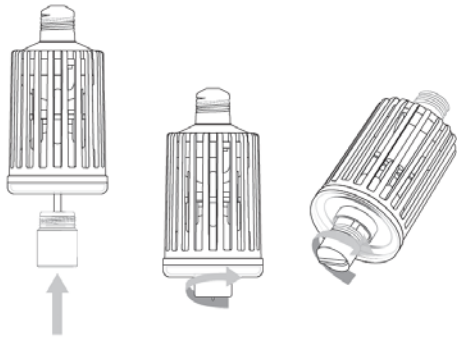


Figure 3

- Replace [PRODUCT NAME] LED in light fixture.

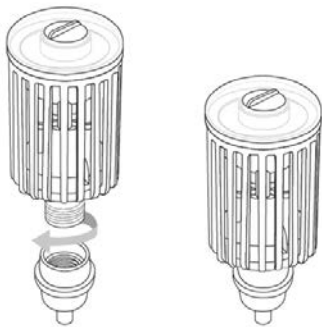


Figure 4

- When finished, switch Power to ON to test Device, and Enjoy.

How to replace empty [PRODUCT NAME] Cartridge Refill.

- Switch Power to OFF. If [PRODUCT NAME] LED has been operating, allow at least 1 hour to cool down before handling.
- Remove [PRODUCT NAME] LED from light fixture.



Figure 5

- Remove empty [PRODUCT NAME] Repellent Cartridge [Repellent Bottle] [Cartridge Refill] from PIC Mosquito Repellent LED.

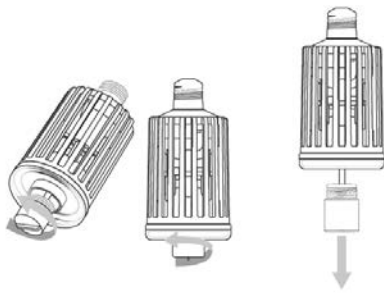


Figure 6

4. Remove 1 [PRODUCT NAME] Repellent Cartridge [Repellent Bottle] [Cartridge Refill] From packaging.

5. Place on a flat surface and remove protective cap.



Figure 7

6. Insert new [PRODUCT NAME] Repellent Cartridge [Repellent Bottle] [Cartridge Refill] into PIC Mosquito Repellent LED and rotate the [PRODUCT NAME] [Repellent Cartridge] [Repellent Bottle] [Cartridge Refill] clockwise until fully secure.

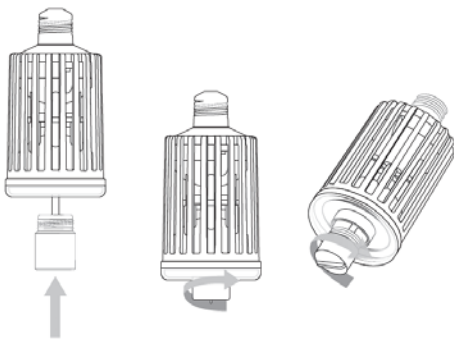


Figure 8

7. Replace [PRODUCT NAME] LED in light fixture.

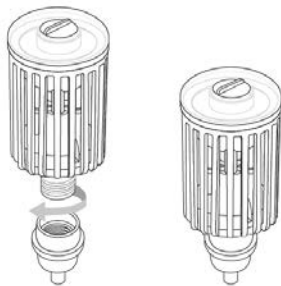


Figure 9

8. When finished, switch Power to ON to test.

Storage and Disposal

Do not contaminate water, food, or feed by storage and disposal of repellent unit.

PESTICIDE STORAGE: Store in a cool dry place. Keep container tightly closed. Store refills out of direct sunlight.

PESTICIDE DISPOSAL AND CONTAINER HANDLING:

Non-refillable cartridge. Do not reuse or refill this cartridge. If empty: Place in trash or offer for recycling if available. If partly filled: Use remaining product according to label directions for use or call your local solid waste agency for disposal instruction. Never place unused product down any indoor or outdoor drain.

[ALTERNATE FORMATTING FOR ALTERNATE DEVICE]

DIRECTIONS FOR USE

It is a violation of Federal Law to use this product
in a manner inconsistent with its labeling.

For use outdoors on patios, decks, unenclosed porches, walkways, around swimming pools and other areas where mosquito protection is desired.
Do not use indoors.

Do not pry MGK FORMULA 3156 [PRODUCT NAME] [Repellent Cartridge] [Repellent Bottle] [Cartridge Refill] open.

For best results install one [PRODUCT NAME] unit every 10 feet to 12 feet around the area you wish to protect from biting mosquitoes.

A set of 4 units provides up to 440 square feet of mosquito protection.

The Vaporizer works with or without the Light.

The Vaporizer should be turned off when not in use.

The Vaporizer will get hot while in use. Always allow Vaporizer to cool before replacing with MGK FORMULA 3156 [PRODUCT NAME] Repellent Cartridge.

The claimed hours of repellency are an average based on lab testing, and presume using 90% of repellent provided. The last 10% of repellent is not claimed, as repellency effectiveness may diminish with reduced wick exposure. Your repellent usage rate will vary based on the temperature and relative humidity.

The Vaporizer indicator light will flash [Color] when device has been operated for approximately 60 hours, indicating that MGK FORMULA 3156 [PRODUCT NAME] [Repellent Cartridge] [Repellent Bottle] [Cartridge Refill] has about 4 hours remaining of effective operating life. We recommend that you check the MGK FORMULA 3156 [PRODUCT NAME] [Repellent Cartridge] [Repellent Bottle] [Cartridge Refill] and replace it before it is empty, or when you notice increased mosquito activity. Replace when MGK FORMULA 3156 [PRODUCT NAME] [Repellent Cartridge] [Repellent Bottle] [Cartridge Refill] is empty.

Replace MGK FORMULA 3156 [PRODUCT NAME] [Repellent Cartridge] [Repellent Bottle] [Cartridge Refill] when power to device is off.

Do not use anything other than MGK FORMULA 3156 [PRODUCT NAME] [Repellent Cartridge] [Repellent Bottle] [Cartridge Refill] in the [PRODUCT NAME] fixture.

OPERATING INSTRUCTIONS

FOR FIRST TIME USE:

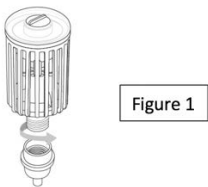
HOW TO INSERT MGK FORMULA 3156 [PRODUCT NAME]

REPELLENT CARTRIDGE INTO PIC MOSQUITO REPELLENT LED

1. Remove 1 (one) MGK FORMULA 3156 [PRODUCT NAME] [Repellent Cartridge] [Repellent Bottle] [Cartridge Refill] from packaging.
2. Remove [PRODUCT NAME] LED from light fixture. Figure 1
3. Place on a flat surface and remove protective cap. Figure 2.
4. Carefully insert MGK FORMULA 3156 [PRODUCT NAME] [Repellent Cartridge] [Repellent Bottle] [Cartridge Refill] into [PRODUCT NAME] LED so that top of wick fits into Vaporizer and rotate clockwise until secure to fixture. Figure 3.
5. Replace [PRODUCT NAME] LED in light fixture. Figure 4.
6. Repeat for each Fixture.
6. When finished, turn power on.

HOW TO REPLACE EMPTY MGK FORMULA 3156 [PRODUCT NAME] REPELLENT CARTRIDGE INTO FIXTURE:

1. Turn off power switch to Fixture. If Vaporizer has been operating, allow at least 1 hour to cool down before handling.
2. Remove [PRODUCT NAME] from light fixture. Figure 1
2. Remove 1 (one) MGK FORMULA 3156 [PRODUCT NAME] [Repellent Cartridge] [Repellent Bottle] [Cartridge Refill] from packaging.
3. Place on a flat surface and remove protective cap. Figure 2.
4. Remove used MGK FORMULA 3156 [PRODUCT NAME] [Repellent Cartridge] [Repellent Bottle] [Cartridge Refill] from [PRODUCT NAME] LED in light fixture. Figure 5.
5. Carefully insert MGK FORMULA 3156 [PRODUCT NAME] [Repellent Cartridge] [Repellent Bottle] [Cartridge Refill] into [PRODUCT NAME] LED so that top of wick fits into Vaporizer and rotate clockwise until secure. Figure 3.
6. Replace [PRODUCT NAME] LED in light fixture. Figure 4.
7. Repeat for each Fixture.



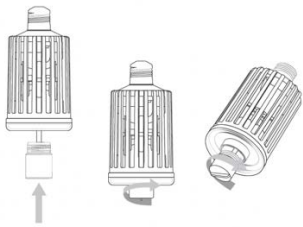


Figure 3

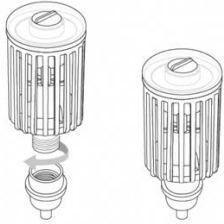


Figure 4

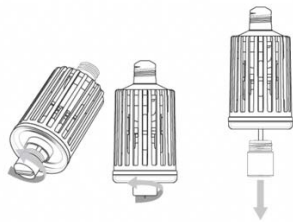


Figure 5

Storage and Disposal

Do not contaminate water, food, or feed by storage and disposal of repellent unit.

PESTICIDE STORAGE: Store in a cool dry place. Keep container tightly closed. Store refills out of direct sunlight.

PESTICIDE DISPOSAL AND CONTAINER HANDLING:

Non-refillable cartridge. Do not reuse or refill this cartridge. If empty: Place in trash or offer for recycling if available. If partly filled: Use remaining product according to label directions for use or call your local solid waste agency for disposal instruction. Never place unused product down any indoor or outdoor drain.

[ALTERNATIVE DEVICE MARKETING CLAIMS]

- Dependable Insect and Rodent Control Since 1953
- Internal timer turns Vaporizer off after 2 hours of continued use
- [For optimal performance activate within 15 minutes of use
- Provides protection within 15 minutes of use
- Contains 1 [2] [3] [4] [5] [6] [7] [8] MGK FORMULA 3156 [Bottle Name] [Repellent Bottle] [Repellent Cartridge] [Repellent Refill] [(s) [for product name].
- Includes 1 (one) [2 (two)] [3 (three)] [4 (four)] [5 (five)] [6 (six)] [7 (seven)] [8 (eight)]
- MGK FORMULA 3156 [Bottle Name] [Repellent Bottle] [Repellent Cartridge] [Repellent Refill]
- Available [in] single pack [multi pack] [2 pack] [4 pack] [6 pack] [8 pack]
- Effective, mosquito protection for your entire deck, porch or patio
- Attractive light fixtures that protect your outdoor patio, [unenclosed porch], [walkway] [or deck] area from [biting] mosquitoes all season*
- Attractive lights enhance your patio, unenclosed porch, deck, walkways or yard
- Each Fixture [Product Name] [Device] [Unit] contains a Vaporizer [Liquid] [Repellent] [Emanator] [that] releases an odorless, invisible repellent [that] [and] protects up to 110 square feet (sq. ft.) (SF)
- Protects [up to] a 110 sq. ft. area
- Protects [provides] a 10 to 12-ft. diameter [area] [of repellency] 110 ft2 (square feet) (SF) [area] [zone] of protection [from biting mosquitoes] from each Fixture [Product Name] [Device] [Unit]
- Use [Recommend using] doorway fixture [Device] [Unit] on a typical [average] sized deck, patio or outdoor area [for] [provides] over 440 square feet [sq. ft.] of coverage
- Fixture [Product Name] [Device] [Unit] produces an invisible area [cloud] [zone] of protection which repels [biting] mosquitoes
- Fixture [Product Name] [Device] [Unit] produces invisible [odorless] vapor to repel [that repels] [biting] mosquitoes
- Vaporizer [Liquid] [Repellent] [Emanator] produces an invisible area [cloud] [zone] of protection which repels [biting] mosquitoes
- Vaporizer [Liquid] [Repellent] [Emanator] produces invisible [odorless] vapor to repel [that repels] [biting] mosquitoes
- [Each] 8 ml (0.27 fl. oz.) MGK FORMULA 3156 [Bottle Name] [Repellent Bottle] [Repellent Cartridge] [Repellent Refill] provide(s) 30 continuous days* of usage mosquito protection
- * average use 2 hours per day [8 ml fill]
- Cartridge] [Repellent Refill] provide(s) 40 [total] hours of mosquito protection]

- Replace MGK FORMULA 3156 [Bottle Name] [Repellent Bottle] [Repellent Cartridge] [Repellent Refill] for each Fixture [Device] [Unit] after [31 days] [65 hours] of use
- Cartridge [Repellent Refill] provide(s) 195 [total] hours of mosquito protection
- [MGK FORMULA 3156 with] Mosquito Protection Technology
- [Patented] Patent Pending Mosquito Protection Technology [System]
- Easy to install
- No batteries [required]
- No open flame
- No candles
- Powered by low voltage electricity
- No butane [required]
- No external fuel required
- Use [optional] controller [available separately] to independently operate lights and control Vaporizer [mosquito repellent] [repellent] [system]
- [Liquid] [Repellent] [Emanator] [mosquito protection].
- Lights [Lighting] [Light] [Light Fixture] [Lamp] [LED] may be used independently of Vaporizer [mosquito repellent] [repellent] [system] [Liquid] [Repellent] [Emanator] [mosquito protection].
- Durable [metal and glass] construction will provide beautiful lighting [and mosquito protection] for years to come
- Efficient LED Lights [use less power for year-round energy savings] [and] [last up to 20,000 hours]
- Plus attractive, low-voltage outdoor lighting for that perfect summer evening.
- It's as easy as turning on the lights to say goodbye to [biting] mosquitoes and the old hassles of keeping them away for the entire summer!
- Use on patios, [unenclosed porches,] [decks,] [walkways,] [yards] and other outdoor areas where mosquito protection is desired [required] [needed].
- Designed to mount [sit] on [existing] deck post, railing or a stake in the ground.
- Permanent, low voltage [lighting] [fixtures] are easy to install using [a supplied] [available] [an available] transformer and low voltage wire.
- Control with timer, [photo sensor] [or switch] for lighting and/or repellent when you want them, [day or night]
- Vaporizer [Liquid] [Repellent] [Emanator] can operate [be used] independently of lights [with or without] [having] lights on
- Refillable light(ing) fixtures MGK FORMULA 3156 [Bottle Name] [Repellent Bottle] [Repellent Cartridge] [Repellent Refill]
- Free MGK FORMULA 3156 [Bottle Name] [Repellent Bottle] [Repellent Cartridge] [Repellent Refill] included
- Extra refill included
- Buy one get one free
- Coupon [\$] Rebate(s) available [inside]
- MGK FORMULA 3156 [Bottle Name] [Repellent Bottle] [Repellent Cartridge] [Repellent Refill] works with [in] [product name]
- MGK FORMULA 3156 [Bottle Name] [Repellent Bottle] [Repellent Cartridge] [Repellent Refill]
- Specially designed for use with [in] [PRODUCT NAME]
- For protection and added comfort outdoors
- Works [when you want it] [day] [and] [or] night
- [Helps you] enjoy your evening activities with fewer [less] annoying [biting] mosquitoes.
- Simply turn [switch] off the Vaporizer [Liquid] [Repellent] [Emanator] when protection is not needed.
- Won't harm plants, [flowers], [shrubs] or [and] [grass] [lawns]
- Illuminated [Green] [Yellow] [Orange] [Blue] [Red] LED indicator [light] on [fixture] [device] indicates [signals] that Vaporizer [Liquid] [Repellent] [Emanator] is operating]
- [Green] [Yellow] [Orange] [Blue] [Red] LED indicator [light] on [fixture] [device] will flash [after 60 hours] to indicate it is time to [check] [and] [or] [replace] MGK FORMULA 3156 [Bottle Name] [Repellent Bottle] [Repellent Cartridge] [Repellent Refill] level
- Reset timer when MGK FORMULA 3156 [Bottle Name] [Repellent Bottle] [Repellent Cartridge] [Repellent Refill] has been replaced to begin another 60 hour countdown.
- Convenient protection from [biting] mosquitoes
- Built-in [timer] [sensor] signals when it's time to replace MGK FORMULA 3156 [Bottle Name] [Repellent Bottle] [Repellent Cartridge] [Repellent Refill]
- Effective against all types of mosquitoes
- Discreet, low-profile fixtures blend into landscape
- Add to an existing [LV] [low voltage] lighting system or install with transformer and wire
- Determine Location for [Power Pack] Controller.
- Plug In & Mount [Power Pack] Controller.
- Use the provided 16 [18] - gauge electrical cable to create a perimeter of protection around the coverage area. Fixtures can be placed behind or between shrubs and plants for more discreet protection.
- Install [PRODUCT NAME WITH FIXTURE] only once, and enjoy season after season.
- Repel mosquitoes at the flip of a switch.
- 3 year [1year] [2 year] [4 year] [5 year] [limited] warranty

IMPORTANT: READ BEFORE USE

Read the entire Directions for Use, Conditions, Disclaimer of Warranties and Limitations of Liability before using this product. If terms are not acceptable, return the product container at once.

By using this product, user or buyer accepts the following conditions, disclaimer of warranties and limitations of liability.

CONDITIONS: The directions for use of this product are believed to be adequate and must be followed carefully. However, it is impossible to eliminate all risks associated with the use of this product. Ineffectiveness or other unintended consequences may result because of such factors as weather conditions, presence of other materials, or the manner of use or application, all of which are beyond the control of MGK. All such risks shall be assumed by the user or buyer.

DISCLAIMER OF WARRANTIES: TO THE EXTENT CONSISTENT WITH APPLICABLE LAW, MGK MAKES NO OTHER WARRANTIES, EXPRESS OR IMPLIED, OF MERCHANTABILITY OR OF FITNESS FOR A PARTICULAR PURPOSE OR OTHERWISE, THAT EXTEND BEYOND THE STATEMENTS MADE ON THIS LABEL. No agent of MGK is authorized to make any warranties beyond those contained herein or to modify the warranties contained herein. To the extent consistent with applicable law, MGK disclaims any liability whatsoever for special, incidental or

consequential damages resulting from the use or handling of this product.

LIMITATIONS OF LIABILITY: TO THE EXTENT CONSISTENT WITH APPLICABLE LAW, THE EXCLUSIVE REMEDY OF THE USER OR BUYER FOR ANY AND ALL LOSSES, INJURIES OR DAMAGES RESULTING FROM THE USE OR HANDLING OF THIS PRODUCT, WHETHER IN CONTRACT, WARRANTY, TORT, NEGLIGENCE, STRICT LIABILITY OR OTHERWISE, SHALL NOT EXCEED THE PURCHASE PRICE PAID, OR AT MGK'S ELECTION, THE REPLACEMENT OF PRODUCT.

[Or alternate text

Note [Notice]: Seller warrants that this product complies with the specifications expressed in this label. To the extent consistent with applicable law, seller makes no other warranties, and disclaims all other warranties, express or implied, including but not limited to warranties of merchantability and fitness for the intended purpose. To the extent consistent with applicable law, seller's liability or default, breach or failure under this label shall be limited to the amount of the purchase price. To the extent consistent with applicable law, seller shall have no liability for consequential damages.]

[Or alternate text

Notice: To the extent consistent with applicable law, buyer assumes all responsibility for safety and use not in accordance with directions.]

© MGK, 2014

[[Fixture] [Device] [Unit] made in (country of Origin)]

[[Bottle Name] [Repellent Bottle] [Repellent Cartridge] [Repellent Refill] made in (country of origin)]



7325 Aspen Lane North
Minneapolis, MN 55428

{Additional alternate bullets} [NOTE TO REVIEWER: Emanation rate for all sizes listed below are .112 mL/hr]

- [For optimal performance activate within 15 minutes of use
- Provides protection within 15 minutes of use
- Contains 1 [2] [3] [4] [5] [6] [7] [8] MGK FORMULA 3156 [Bottle Name] [Repellent Bottle] [Repellent Cartridge] [Repellent Refill] [(s) [for product name].
- Includes 1 (one) [2 (two)] [3 (three)] [4 (four)] [5 (five)] [6 (six)] [7 (seven)] [8 (eight)]
- MGK FORMULA 3156 [Bottle Name] [Repellent Bottle] [Repellent Cartridge] [Repellent Refill]
- Available [in] single pack [multi pack] [2 pack] [4 pack] [6 pack] [8 pack]
- Effective, season-long* mosquito protection for your entire deck, porch or patio
- Attractive light fixtures that protect your outdoor patio, [unenclosed porch], [walkway] [or deck] area from [biting] mosquitoes all season*
- Attractive lights enhance your patio, unenclosed porch, deck, walkways or yard
- Each Fixture [Product Name] [Device] [Unit] contains a Vaporizer [Liquid] [Repellent] [Emanator] [that] releases an odorless, invisible repellent [that] [and] protects up to 110 square feet (sq. ft.) (SF)
- Protects [up to] a 110 sq. ft. area
- Protects [provides] a 10 to 12-ft. diameter [area] [of repellency]
- 110 ft² (square feet) (SF) [area] [zone] of protection [from biting mosquitoes] from each Fixture [Product Name] [Device] [Unit]
- Use [Recommend using] four [4] Fixture [Device] [Unit] on a typical [average] sized deck, patio or outdoor area [for] [provides] 440 square feet [sq. ft.] of coverage
- Use [Recommend using] five [5] Fixture [Device] [Unit] on a large [typical] [average] sized deck, patio or outdoor area [for] [provides] 550 square feet [sq. ft.] of coverage
- Use [Recommend using] six [6] Fixture [Device] [Unit] on a large [typical] [average] sized deck, patio or outdoor area [for] [provides] 660 square feet [sq. ft.] of coverage
- Fixture [Product Name] [Device] [Unit] produces an invisible area [cloud] [zone] of protection which repels [biting] mosquitoes
- Fixture [Product Name] [Device] [Unit] produces invisible [odorless] vapor to repel [that repels] [biting] mosquitoes
- Vaporizer [Liquid] [Repellent] [Emanator] produces an invisible area [cloud] [zone] of protection which repels [biting] mosquitoes
- Vaporizer [Liquid] [Repellent] [Emanator] produces invisible [odorless] vapor to repel [that repels] [biting] mosquitoes
- [Each] 45 ml (1.52 fl. oz.) MGK FORMULA 3156 [Bottle Name] [Repellent Bottle] [Repellent Cartridge] [Repellent Refill] provide(s) Season-Long* mosquito protection

*assumes season as 90 days [3 months]/ average use 4.5 hours per day [45 ml fill]

- [Each] 45 ml (1.52 fl. oz.) MGK FORMULA 3156 [Bottle Name] [Repellent Bottle] [Repellent Cartridge] [Repellent Refill] provide(s) 90 days [3 months] of mosquito protection 4.5 hours per day
- [Each] 45 ml (1.52 fl. oz.) MGK FORMULA 3156 [Bottle Name] [Repellent Bottle] [Repellent Cartridge] [Repellent Refill] provide(s) 400 [total] hours of mosquito protection
- [Included] [Each] 50 ml (1.69 fl. oz.) MGK FORMULA 3156 [Bottle Name] [Repellent Bottle] [Repellent Cartridge] [Repellent Refill] provide(s) Season- Long** mosquito protection

**assumes season as 90 days [3 months]/ average use 5.0 hours per day [50 ml fill]

- [Each] 50 ml (1.69 fl. oz.) MGK FORMULA 3156 [Bottle Name] [Repellent Bottle] [Repellent Cartridge] [Repellent Refill] provide(s) 90 days [3 months] of mosquito protection [5 hours per day] [Each] 50 ml (1.69 fl. oz.) MGK FORMULA 3156 [Bottle Name] [Repellent Bottle] [Repellent Cartridge] [Repellent Refill] provide(s) 455 [total] hours of mosquito protection
- Replace MGK FORMULA 3156 [Bottle Name] [Repellent Bottle] [Repellent Cartridge] [Repellent Refill] for each Fixture [Device] [Unit] after [90 days] [400 hours] [455 hours] of use
- [Each] 24 ml (0.81 fl. oz.) MGK FORMULA 3156 [Bottle Name] [Repellent Bottle] [Repellent Cartridge] [Repellent Refill] provide(s) Season-Long*** mosquito protection

*** assumes season as 90 days [3 months]/ average use 2.4 hours per day [24 ml fill]

- [Each] 24 ml (0.81 fl. oz.) MGK FORMULA 3156 [Bottle Name] [Repellent Bottle] [Repellent Cartridge] [Repellent Refill] provide(s) 90 days [3 months] of mosquito protection 2.4 hours per day
- [Each] 24 ml (0.81 fl. oz.) MGK FORMULA 3156 [Bottle Name] [Repellent Bottle] [Repellent Cartridge] [Repellent Refill] provide(s) 216 [total]

hours of mosquito protection

*assumes season as 90 days [3 months]/ average use 4.5 hours per day [45 ml fill]

**assumes season as 90 days [3 months]/ average use 5.0 hours per day [50 ml fill]

*** assumes season as 90 days [3 months]/ average use 2.4 hours per day [24 ml fill]

- [MGK FORMULA 3156 with] Mosquito Protection Technology
- [Patented] Patent Pending Mosquito Protection Technology [System]
- Easy to install
- No batteries [required]
- No open flame
- No candles
- Powered by low voltage electricity
- No butane [required]
- No external fuel required
- Use [program] timer [photosensor] [or switch] to turn on Vaporizer [mosquito repellent] [repellent] [system] [device] [mosquito protection] [Liquid] [Repellent] [Emanator].
- Use [program] photo sensor, [timer,] [or switch] to turn on lights.
- Use [optional] controller [available separately] to independently operate lights and control Vaporizer [mosquito repellent] [repellent] [system] [Liquid] [Repellent] [Emanator] [mosquito protection].
- Lights [Lighting] [Light] [Light Fixture] [Lamp] [LED] may be used independently of Vaporizer [mosquito repellent] [repellent] [system] [Liquid] [Repellent] [Emanator] [mosquito protection].
- Durable [metal and glass] construction will provide beautiful lighting [and mosquito protection] for years to come
- Efficient LED Lights [use less power for year-round energy savings] [and] [last up to 20,000 hours]
- Plus attractive, low-voltage outdoor lighting for that perfect summer evening.
- It's as easy as turning on the lights to say goodbye to [biting] mosquitoes and the old hassles of keeping them away for the entire summer!
- Use on patios, [unenclosed porches,] [decks,] [walkways,] [yards] and other outdoor areas where mosquito protection is desired [required] [needed].
- Designed to mount [sit] on [existing] deck post, railing or a stake in the ground.
- Permanent, low voltage [lighting] [fixtures] are easy to install using [a supplied] [available] [an available] transformer and low voltage wire.
- Use with 12v transformer and controller [included] [available separately]
- Control with timer, [photo sensor] [or switch] for lighting and/or repellent when you want them, [day or night]
- Vaporizer [Liquid] [Repellent] [Emanator] can operate [be used] independently of lights [with or without] [having] lights on
- Refillable light(ing) fixtures MGK FORMULA 3156 [Bottle Name] [Repellent Bottle] [Repellent Cartridge] [Repellent Refill]
- Free MGK FORMULA 3156 [Bottle Name] [Repellent Bottle] [Repellent Cartridge] [Repellent Refill] included
- Extra refill included
- Buy one get one free
- Coupon [\$] Rebate(s) available [inside]
- MGK FORMULA 3156 [Bottle Name] [Repellent Bottle] [Repellent Cartridge] [Repellent Refill] works with [in] [product name]
- MGK FORMULA 3156 [Bottle Name] [Repellent Bottle] [Repellent Cartridge] [Repellent Refill]
- Specially designed for use with [in] product name
- For protection and added comfort outdoors
- Works [when you want it] [day [and] [or] night]
- [Helps you] enjoy your evening activities with fewer [less] annoying [biting] mosquitoes.
- Simply turn [switch] off the Vaporizer [Liquid] [Repellent] [Emanator] when protection is not needed.
- Won't harm plants, [flowers], [shrubs] or [and] [grass] [lawns]
- Illuminated [Green] [Yellow] [Orange] [Blue] LED indicator [light] on [fixture] [device] indicates [signals] that Vaporizer [Liquid] [Repellent] [Emanator] is operating
- [Green] [Yellow] [Orange] [Blue] LED indicator [light] on [fixture] [device] will flash [after 195 hours] to indicate it is time to [check] [and] [or] [replace] MGK FORMULA 3156 [Bottle Name] [Repellent Bottle] [Repellent Cartridge] [Repellent Refill] level
- Reset timer when MGK FORMULA 3156 [Bottle Name] [Repellent Bottle] [Repellent Cartridge] [Repellent Refill] has been replaced to begin another 195 hour countdown.
- Convenient protection from [biting] mosquitoes
- Built-in timer signals when it's time to replace MGK FORMULA 3156 [Bottle Name] [Repellent Bottle] [Repellent Cartridge] [Repellent Refill]
- Effective against all types of mosquitoes
- Discreet, low-profile fixtures blend in to landscape
- Add to an existing [LV] [low voltage] lighting system or install with transformer and wire
- Determine Location for [Power Pack] Controller.
- Plug In & Mount [Power Pack] Controller.
- Space Fixtures 12 feet apart.
- Use the provided 16 [18] - gauge electrical cable to create a perimeter of protection around the coverage area. Fixtures can be placed behind or between shrubs and plants for more discreet protection.
- Lay electrical cable down to outline your protected zone.
- Install Fixtures In Ground.
- Use the provided [ground stakes] [flange] [stem] to securely install each fixture in an upright position. [Fixtures will stand XX15 inches tall.] Connect Cables With Single-Snap Cable Connectors.
- [Bury] [Cover] [Hide] Cable.
- Cover with mulch, soil or landscape stone. Use a sod cutter to quickly and cleanly bury cable under grass.
- Install [PRODUCT NAME WITH FIXTURE] only once, and enjoy season after season.
- Repel mosquitoes at the flip of a switch.
- 3 year [1year] [2 year] [4 year] [5 year] [limited] warranty
- [Product name] deck [pack] [flange] [sold separately]
-

Individual Small Bottle Label

MGK FORMULA 3156 [Bottle Name] [Repellent Bottle] [Repellent Cartridge] [Repellent]

Refill] ACTIVE INGREDIENT:

Metofluthrin.....	4.0%
*OTHER INGREDIENTS.....	<u>96.0%</u>
	100.0%

* Contains petroleum distillate

Net Contents: _____

EPA Reg. No. 1021-2826

EPA Est. No.

KEEP OUT OF REACH OF CHILDREN

CAUTION

See [outside] [Bottle Name] [Repellent Bottle] [Repellent Cartridge] [Repellent Refill] packaging [carton] [insert] for precautions and directions for use