



OFFICE OF CHEMICAL SAFETY AND POLLUTION PREVENTION

WASHINGTON, D.C. 20460

September 12, 2024

Ellen Baldassare
ellen.baldassare@lanxess.com
LANXESS CORPORATION

Subject: Non-PRIA (Pesticide Registration Improvement Act) Labeling Amendment - Adding marketing claims/logos and other label revisions
Product Name: UCARSAN SANITIZER 420
Admin Number: 464-689
EPA Receipt Date: 07/19/2023
Action Case Number: 00491574

Dear Ellen Baldassare:

The amended labeling referred to above, submitted in connection with registration under the Federal Insecticide, Fungicide, and Rodenticide Act, as amended, is acceptable.

This approval does not affect any terms or conditions that were previously imposed on this registration. You continue to be subject to existing terms or conditions on your registration and any deadlines connected with them.

A stamped copy of your labeling is enclosed for your records. This labeling supersedes all previously accepted labeling. You must submit one (1) copy of the final printed labeling before you release this product for shipment with the new labeling. In accordance with 40 CFR § 152.130(c), you may distribute or sell this product under the previously approved labeling for 18 months from the date of this letter. After 18 months, you may only distribute or sell this product if it bears this new revised labeling or subsequently approved labeling. "To distribute or sell" is defined under FIFRA section 2(gg) and its implementing regulation at 40 CFR § 152.3.

Should you wish to add/retain a reference to your company's website on your label, then please be aware that the website becomes labeling under FIFRA and is subject to review by EPA. If the website is false or misleading, the product will be considered to be misbranded and sale or distribution of the product is unlawful under FIFRA section 12(a)(1)(E). 40 CFR § 156.10(a)(5) lists examples of statements the EPA may consider false or misleading. In addition, regardless of whether a website is referenced on your product's label, claims made on the website may not substantially differ from those claims approved through the registration process. Therefore, should the EPA find or if it is brought to our attention that a website contains statements or claims substantially differing from statements or claims made in connection with obtaining a FIFRA section 3 registration, the website will be referred to the EPA's Office of Enforcement and Compliance Assurance.

Your release for shipment of this product constitutes acceptance of these terms. If these terms are not complied with, this registration will be subject to cancellation in accordance with FIFRA section 6.

If you have questions, please contact Steven Snyderman via email at snyderman.steven@epa.gov.

Sincerely,

Steven Snyderman

Steven Snyderman, Product Manager, Team 33
RMB 2, AD
Office of Pesticide Programs

Note to reviewer: TEXT IN [BRACKETS] IS OPTIONAL. Variables such as CAPITALIZATION, punctuation, superscripting, plurals or singular, bold and italics are optional unless specified.

TEXT IN {BRACES} ARE COMMENTS TO REVIEWER

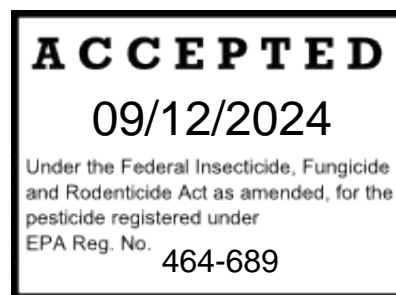
Alternate Brand Name: GLUTEX™ GS2 Sanitizer, GLUTEX™ GS2

UCARSAN™ Sanitizer 420

{Note to reviewer: in any or all instances™ symbol may be replaced with ® symbol}

Active Ingredient:

Glutaraldehyde.....	20%
Inert Ingredients.....	80%
TOTAL	100%



EPA Registration No. 464-689

EPA Est. No. [010352-WV-001] [XXXXX-YY-ZZZ]

[LIQUID FORM]

KEEP OUT OF REACH OF CHILDREN DANGER

{Note to Reviewer: In accordance with 40 CFR 156.68(d), all first aid statements, as prescribed, will appear on the front panel of the product label.}

FIRST AID	
IF IN EYES	<ul style="list-style-type: none"> • Hold eye open and rinse slowly and gently with water for 30 minutes. • Remove contact lenses, if present, after the first 5 minutes, then continue rinsing eye. • Call a poison control center or doctor for treatment advice
IF ON SKIN OR CLOTHING	<ul style="list-style-type: none"> • Take off contaminated clothing. • Rinse skin immediately with plenty of water for 15-20 minutes. • Call a poison control center or doctor for treatment advice.
IF SWALLOWED	<ul style="list-style-type: none"> • Call a poison control center or doctor immediately for treatment advice. • Have person sip a glass of water if able to swallow. • Do not induce vomiting unless told to by a poison control center or doctor. • Do not give anything to an unconscious person.
IF INHALED	<ul style="list-style-type: none"> • Move person to fresh air. • If person is not breathing, call 911 or an ambulance, and then give artificial respiration, preferably mouth to mouth if possible • Call a poison control center or a doctor for further treatment advice.
Have product container or label with you when calling a poison control center or doctor or going for treatment.	

{First Aid section for front panel continued on next page}

Note to reviewer: TEXT IN [BRACKETS] IS OPTIONAL. Variables such as CAPITALIZATION, punctuation, superscripting, plurals or singular, bold and italics are optional unless specified.

TEXT IN {BRACES} ARE COMMENTS TO REVIEWER

Alternate Brand Name: GLUTEX™ GS2 Sanitizer, GLUTEX™ GS2

{First Aid section cont., will appear with rest of statements on front panel}

HOT LINE NUMBER
IN CASE OF AN EMERGENCY endangering life or property involving this product, call (800) 424-9300. [The LANXESS Pittsburgh Emergency Response telephone number is (800) 410-3063.]
NOTE TO PHYSICIAN: Inhalation, ingestion or aspiration may cause lung or G-I tract damage. Probable mucosal damage may contraindicate the use of gastric lavage. Chemical eye burns may require extended irrigation. No specific antidote. Treatment of exposure should be directed at the control of symptoms and the clinical condition of the patient.

Precautionary Statements

Hazards To Humans and Domestic Animals

DANGER

CORROSIVE • Causes Irreversible Eye Damage • Causes Skin Burns • May Be Fatal If Inhaled • Do Not Breathe Vapor • May be fatal If Swallowed or Absorbed Through Skin • Prolonged Or Frequently Repeated Skin Contact May Cause Allergic Skin Reaction In Some Individuals • Causes Asthmatic Signs And Symptoms In Hyper-Reactive Individuals • Do Not Get In Eyes, On Skin, On Clothing • Do Not Swallow • Avoid Breathing Vapor • Wear Goggles, Protective Clothing, And Butyl Or Nitrile Gloves • Wash Thoroughly With Soap And Water After Handling And Before Eating, Drinking, Chewing Gum, Or Using The Toilet • Remove And Wash Contaminated Clothing Before Reuse.

Personal Protective Equipment

Applicators and other handlers must wear: goggles or face shield, coverall, over long-sleeved shirt and long pants, chemical resistant footwear, socks, chemical-resistant gloves (such as butyl rubber or nitrile/butadiene rubber) and chemical resistant apron.

User Safety Requirements

Follow manufacturers' instructions for cleaning & maintaining PPE if no such instructions exist for washables, use detergent and hot water. Keep and wash PPE separately from other laundry.

Certain use patterns require respiratory protection (MSHA/NIOSH approved air purifying respirator equipped with an organic vapor cartridge with a particulate pre-filter) as indicated by the directions for use. Read the label in its entirety before using the product to determine if a respirator is indicated. [Where a respirator is indicated as PPE by the directions for use, per the application wear a NIOSH approved particulate respirator with any N, R, P filter, NIOSH approval number prefix TC-84A; or a NIOSH-approved powered air purifying respirator with an HE filter with NIOSH approved number prefix TC-21C.]

Note to reviewer: TEXT IN [BRACKETS] IS OPTIONAL. Variables such as CAPITALIZATION, punctuation, superscripting, plurals or singular, bold and italics are optional unless specified.

TEXT IN {BRACES} ARE COMMENTS TO REVIEWER

Alternate Brand Name: GLUTEX™ GS2 Sanitizer, GLUTEX™ GS2

User Safety Recommendations

Users must wash hands before eating, drinking, chewing gum, or using the toilet. Users must remove clothing immediately if pesticide gets inside. Then wash thoroughly and put on clean clothing. Users must remove PPE immediately after handling and before eating, drinking, chewing gum, using tobacco, or using the toilet. Wash the outside of gloves before removing. As soon as possible, wash thoroughly and change into clean clothing.

ENVIRONMENTAL HAZARDS

This product is toxic to fish, aquatic invertebrates, oysters and shrimp. Do not discharge effluent containing this product into lakes, streams, ponds, estuaries, oceans, or other waters unless in accordance with the requirements of a National Pollution Discharge Elimination System (NPDES) permit and the permitting authority has been notified in writing prior to discharge. Do not discharge effluent containing this product to sewer systems without previously notifying the local sewage treatment plant authority. For guidance contact your State Water Board or Regional Office of the EPA.

STORAGE AND HANDLING

UCARSAN Sanitizer 420 is incompatible with many commonly used materials of construction such as steel, galvanized iron, aluminum, tin, and zinc. UCARSAN Sanitizer 420 can be stored and handled in baked phenolic-lined steel, polyethylene, stainless steel, or reinforced epoxy-plastic equipment. This product freezes at about 25°F (-4°C). Therefore, unless the storage tank is inside or underground, heating and insulation may be required. If heating is needed, exposure to high temperatures should be avoided. For short storage times (up to about 1 month), temperatures of up to 100°F (37.8°C) can be tolerated.

A stainless steel centrifugal pump is suggested for transfer service. Spiral-wound stainless steel with TEFLON® Polymer is suitable for gaskets and packing.

Handle in a well-ventilated area. If vapors are irritating to the nose or eyes, special ventilation or respiratory protection (MSHA/NIOSH approved air purifying respirator equipped with an organic vapor cartridge with a particulate pre-filter) may be required.

The product in its undiluted form must not be used in a spray, fogging, or aerosol application.

Note to reviewer: TEXT IN [BRACKETS] IS OPTIONAL. Variables such as CAPITALIZATION, punctuation, superscripting, plurals or singular, bold and italics are optional unless specified.

TEXT IN {BRACES} ARE COMMENTS TO REVIEWER

Alternate Brand Name: GLUTEX™ GS2 Sanitizer, GLUTEX™ GS2

STORAGE AND DISPOSAL

Do not contaminate water, food, or feed by storage or disposal.

Pesticide Disposal: Pesticide wastes are acutely hazardous. Improper disposal of excess pesticide, spray mixture, or rinsate is a violation of Federal Law. If these wastes cannot be disposed of by use according to label instructions, contact your State Pesticide or Environmental Control Agency or the Hazardous Waste Representative at the nearest EPA Regional Office for guidance.

CONTAINER DISPOSAL

Option - labels for nonrefillable rigid containers of all sizes

Nonrefillable Container: Do not reuse or refill this container. Triple or pressure rinse container (or equivalent) promptly after emptying. Then offer for recycling or reconditioning, or puncture and dispose of in a sanitary landfill, or by other procedures approved by state and local authorities.

Option - labels on refillable rigid containers of all sizes

Refillable Container: Refill this container with pesticide only. Do not reuse this container for any other purpose. Cleaning of the container before final disposal is the responsibility of the person disposing of the container. Cleaning before refilling is the responsibility of the refiller. To clean container before final disposal, empty contents into application equipment and triple rinse. Pour or pump rinsate into application equipment or rinsate collection system. Then offer for recycling if available, or puncture and dispose of in a sanitary landfill, or by incineration, or by other procedures allowed by state and local authorities.

DIRECTIONS FOR USE

It is a violation of Federal Law to use this product in a manner inconsistent with its labeling.
{Directions for use on the container label may vary based on the use patterns listed on the label. All required directions for use corresponding to specific uses listed on the label are required to appear. E.g. Text referencing Oil and Gas applications may not appear on products for other uses or market segments.}

[WATER FLOODS

[Not registered for this use in the State of California] – Optional Statement

UCARSAN Sanitizer 420 should be added to a water flood system at a point of uniform mixing.

Initial Treatment: When the system is noticeably contaminated, add 250 to 12,500 ppm UCARSAN Sanitizer 420 to the system (0.23 to 11.9 gallons UCARSAN Sanitizer 420 per 1,000 gallons flood water). Repeat until control is achieved.

Subsequent Dose: When microbial control is evident, add 50 to 12,500 ppm UCARSAN Sanitizer 420 (0.05 to 11.9 gallons UCARSAN Sanitizer 420 per 1,000 gallons flood water) to the system weekly, or as needed to maintain control.]

Note to reviewer: TEXT IN [BRACKETS] IS OPTIONAL. Variables such as CAPITALIZATION, punctuation, superscripting, plurals or singular, bold and italics are optional unless specified.

TEXT IN {BRACES} ARE COMMENTS TO REVIEWER

Alternate Brand Name: GLUTEX™ GS2 Sanitizer, GLUTEX™ GS2

[FRAC FLUIDS

[Not registered for this use in the State of California] – Optional Statement

UCARSAN Sanitizer 420 reduces bacterial contamination and degradation of fracturing fluids and gels used in oil and gas well stimulations. Add UCARSAN Sanitizer 420 to the frac water storage tanks or directly into the well head injection pipeline as the water is being pumped down-hole.

Dose Range: UCARSAN Sanitizer 420 should be added at a rate of 250 to 12,500 ppm (2.3 – 119 gals per 10,000 gallons) depending on the degree of bacterial fouling in the source water.]

[DRILLING, COMPLETION, AND WORKOVER FLUIDS

[Not registered for this use in the State of California] – Optional Statement

UCARSAN Sanitizer 420 should be added to a drilling fluid system at a point of uniform mixing such as the circulating mud tank.

Initial Treatment: Add 125 to 2,500 ppm UCARSAN Sanitizer 420 (0.5 to 10 gallons UCARSAN Sanitizer 420 per 100 barrels of fluid) to a freshly prepared fluid depending on the severity of contamination.

Maintenance Dosage: Maintain a concentration of 125 to 2,500 ppm UCARSAN Sanitizer 420 by adding 0.5 to 10 gallons of UCARSAN Sanitizer 420 per 100 barrels of additional fluid, or as needed, depending on the severity of contamination.]

[PACKER FLUIDS

[Not registered for this use in the State of California] – Optional Statement

UCARSAN Sanitizer 420 should be added to a packer fluid at a point of uniform mixing such as a circulating holding tank. Add 125 to 1500 ppm UCARSAN Sanitizer 420 (0.5 to 6 gallons UCARSAN Sanitizer 420 per 100 barrels of fluid) to a freshly prepared fluid depending on the severity of contamination. Seal the treated packer fluid in the wall between the casing and production tube.]

[OIL AND GAS PRODUCTION AND TRANSMISSION PIPELINES AND SYSTEMS

[Not registered for this use in the State of California] – Optional Statement

UCARSAN Sanitizer 420 should be added to an oil/gas production or transmission pipeline via direct injection. The application should be conducted to ensure maximum distribution of the UCARSAN Sanitizer 420 throughout the entire internal pipeline surface by adding a sufficient amount of biocide to detect/measure a residual concentration at the back end of the pipeline system. Criteria for success of the treatment will be a reduction in bacterial counts and/or reduced corrosion rates. To facilitate application, it may be desirable to dilute the UCARSAN Sanitizer 420 with an appropriate solvent immediately before use. The product should be dosed into the system at 1000 to 12,500 ppm based on the water volume in the pipeline. Injections to the system should be weekly, or as needed to maintain control.]

Note to reviewer: TEXT IN [BRACKETS] IS OPTIONAL. Variables such as CAPITALIZATION, punctuation, superscripting, plurals or singular, bold and italics are optional unless specified.

TEXT IN {BRACES} ARE COMMENTS TO REVIEWER

Alternate Brand Name: GLUTEX™ GS2 Sanitizer, GLUTEX™ GS2

[GAS STORAGE WELLS AND SYSTEMS

[Not registered for this use in the State of California] – Optional Statement

Individual injection wells should be treated with a sufficient quantity of UCARSAN Sanitizer 420 to produce a concentration of 1,250 to 12,500 ppm UCARSAN Sanitizer 420 when diluted by the water present in the formation. Injection should take place before gas is injected (during the summer).

Injections should be repeated yearly, or as needed to maintain control. Individual drips should be treated with a sufficient quantity of UCARSAN Sanitizer 420 to produce a concentration of 500 to 5,000 ppm UCARSAN Sanitizer 420 when diluted by the water present in the drip. Injections should be repeated yearly, or as needed to maintain control.]

[HYDROTESTING

[Not registered for this use in the State of California] – Optional Statement

Water used to hydrotest pipelines or vessels should contain 250 to 10,000 ppm UCARSAN Sanitizer 420 (0.23 to 9.5 gallons UCARSAN Sanitizer 420 per 1,000 gallons water), depending on water quality and length of time the equipment will remain idle.]

[PIPELINE PIGGING AND SCRAPING OPERATIONS

[Not registered for this use in the State of California] – Optional Statement

Add UCARSAN Sanitizer 420 to a slug of water immediately following the scraper (ideally this water volume can be kept to a minimum and contained between the scraper and a trailing pig). Sufficient UCARSAN Sanitizer 420 should be added to produce a concentration of 0.25 to 2.5% (0.24 to 2.4 gallons UCARSAN Sanitizer 420 per 100 gallons water), depending on the length of the pipeline and the severity of biofouling.]

[INDUSTRIAL RECIRCULATING COOLING WATER

[Not registered for this use in the State of California] – Optional Statement

Add UCARSAN Sanitizer 420 to the basin (or any other point of uniform mixing). Additions should be made with a metering pump; it may be continuous or intermittent, depending on the severity of the contamination when treatment is begun, and the retention time of the system. Optimum performance with this product is attained by continuous or intermittent treatment. If “shock” treatment is used, the blowdown should be discontinued for 24-48 hours.]

[FOR CONTROL OF BACTERIA THAT DISRUPTS COOLING TOWER FUNCTION BADLY FOULED SYSTEMS must be cleaned before treatment is begun.

Add 34 to 84 fluid oz/1000 gallon or 263 mL to 658 mL/m³ of product in water in the system, depending on the severity of contamination.

INTERMITTENT OR SLUG METHOD:

Initial Dose: When the system is noticeably fouled, Add 34 to 84 fluid oz/1000 gallon or 263

Note to reviewer: TEXT IN [BRACKETS] IS OPTIONAL. Variables such as CAPITALIZATION, punctuation, superscripting, plurals or singular, bold and italics are optional unless specified.

TEXT IN {BRACES} ARE COMMENTS TO REVIEWER

Alternate Brand Name: GLUTEX™ GS2 Sanitizer, GLUTEX™ GS2

mL to 658 mL/m³ of product to the water in the system. Repeat until control is achieved.

Subsequent Dose: Once the microbial control is evident add 24 to 34 fluid oz/1000 gallon or 184 mL to 263 mL/m³ of product in the system every 4 days, or as needed to maintain control.

CONTINUOUS FEED METHOD:

Initial Dose: When the system is noticeably fouled, add 34 to 84 fluid oz/1000 gallon or 263 mL to 658 mL/m³ of product to the water in the system.

Subsequent Dose : Maintain this level by pumping a continuous feed of 7 to 34 fluid oz/1000 gallon or 53 mL to 263 mL/m³ of product to the water in the system per day.]

[FOR CONTROL OF FUNGI AND ALGAE

BADLY FOULED SYSTEMS must be cleaned before treatment is begun.

Add 50 to 340 fluid oz/1000 gallon or 400 mL to 2.65 L/m³ of product to the water in the system depending on the severity of contamination.

INTERMITTENT OR SLUG METHOD

Initial Dose: When the system is noticeably fouled, add 50 to 340 fluid oz/1000 gallon or 400 mL to 2.65 L/m³ of product to the water in the system. Repeat until control is achieved.

Subsequent Dose: When microbial control is evident, add 50 to 340 fluid oz/1000 gallon or 400 mL to 2.65 L/m³ of product to the water in the system daily, or as needed to maintain control.

CONTINUOUS FEED METHOD

Initial Dose: When the system is noticeably fouled, add 50 to 340 fluid oz/1000 gallon or 400 mL to 2.65L/m³ of product to the water in the system.

Subsequent Dose: Maintain this treatment level by pumping a continuous feed of 50 to 340 fluid oz/1000 gallon or 400 mL to 2.65L/m³) of product to the water in the system per day.]

Note to reviewer: TEXT IN [BRACKETS] IS OPTIONAL. Variables such as CAPITALIZATION, punctuation, superscripting, plurals or singular, bold and italics are optional unless specified.

TEXT IN {BRACES} ARE COMMENTS TO REVIEWER

Alternate Brand Name: GLUTEX™ GS2 Sanitizer, GLUTEX™ GS2

[SANITIZING NON-FOOD CONTACT, HARD, NON-POROUS SURFACES in FARM, ANIMAL, AND POULTRY HOUSING FACILITIES AND EQUIPMENT
[Not registered for this use in the State of California – Optional Statement]

[DO NOT USE THIS PRODUCT ON FOOD OR FEED

UCARSAN Sanitizer 420 is suitable for use on a wide variety of surfaces including stainless steel, aluminum, painted concrete, plastic and glazed tile.]

{Note to reviewer- Optional Table to be reproduced either in part or full. Either the pathogen list or the organism table must appear on the label, with a minimum of the required pathogens}

[PATHOGEN LIST]

[Effective sanitization on hard non-porous surfaces against]

[UCARSAN™ Sanitizer 420 is effective on hard non-porous surfaces against]

[UCARSAN™ Sanitizer 420 can be used on hard non-porous surfaces against [poultry][swine]

[pathogens] such as] [Five minute sanitization on hard non-porous surfaces against]

[BACTERIA]

[Actinobacillus pleuropneumoniae][ATCC 27089][†]

[Clostridium perfringens] [(ATCC 13124)]

[Enterobacter aerogenes] [(ATCC 13048)]

[Escherichia coli] [(ATCC 11229)]

[Haemophilus parasuis] [(ATCC 19417)]

[Klebsiella pneumoniae] [(ATCC 4352)]

[Mycoplasma gallisepticum] [(ATCC 15302)]

[Mycoplasma synoviae] [(ATCC 25204)]

[Pasteurella multocida] [(ATCC 8747)]

[Salmonella enteritidis] [(ATCC 10708)]

[Salmonella pullorum] [(ATCC 10398)]

[Salmonella typhi] [(ATCC 6539)]

[Staphylococcus aureus] [(ATCC 6538)]

[Streptococcus suis] [(ATCC 43765)]

[Sanitization

For sanitization against the following pathogens:

Bacteria	Contact Time
[Actinobacillus pleuropneumoniae [(ATCC 27089)] [†]	At least 5-minutes]
[Clostridium perfringens [(ATCC 13124)]	At least 5-minutes]
Enterobacter aerogenes [(ATCC 13048)]	At least 5-minutes]
[Escherichia coli [(ATCC 11229)]	At least 5-minutes]
[Haemophilus parasuis [(ATCC 19417)]	At least 5-minutes]

Note to reviewer: TEXT IN [BRACKETS] IS OPTIONAL. Variables such as CAPITALIZATION, punctuation, superscripting, plurals or singular, bold and italics are optional unless specified.

TEXT IN {BRACES} ARE COMMENTS TO REVIEWER

Alternate Brand Name: GLUTEX™ GS2 Sanitizer, GLUTEX™ GS2

<i>Klebsiella pneumoniae</i> [(ATCC 4352)]	At least 5-minutes
<i>Mycoplasma gallisepticum</i> [(ATCC 15302)]	At least 5-minutes]
<i>Mycoplasma synoviae</i> [(ATCC 25204)]	At least 5-minutes]
<i>Pasteurella multocida</i> [(ATCC 8747)]	At least 5-minutes]
<i>Salmonella enteritidis</i> [(ATCC 10708)]	At least 5-minutes]
<i>Salmonella pullorum</i> [(ATCC 10398)]	At least 5-minutes]
<i>Salmonella typhi</i> [(ATCC 6539)]	At least 5-minutes]
<i>Staphylococcus aureus</i> [(ATCC 6538)]	At least 5-minutes]
<i>Streptococcus suis</i> [(ATCC 43765)]	At least 5-minutes]

[† Not approved for this [organism] [or] [use] in California.] {*alternatively:*} [†Not approved in California for [this use] [use against this organism].]

[Effective sanitization on hard non-porous surfaces against]
 [UCARSAN™ Sanitizer 420 is effective on hard non-porous surfaces against]
 [UCARSAN™ Sanitizer 420 can be used on hard non-porous surfaces against [poultry][swine]
 [pathogens] such as]]

[VIRUS]

[Avian infectious bronchitis virus] [(ATCC VR-22)]
 [Avian influenza] [(H6N2 and H5N1)] [(ATCC VR-799)]
 [Avian laryngotracheitis] [(SPAFAS 547316)]
 [Avian reovirus] [(UConn 1133)]
 [Avian rotavirus] [(AVR-1)]
 [Canine parvovirus] [(CPV MLV)]
 [Hog Cholera virus] [(NTU-076)]
 [Infectious bursal disease] [(Lukert)]
 [Marek's disease virus]
 [New Castle disease virus] [(ATCC VR-109)]
 [Porcine circovirus] [(American BioResearch Laboratories)]
 [Porcine Epidemic Diarrhea Virus] [(Colorado 2013 isolate strain, (NVSL))] [†]
 [Porcine reproductive respiratory syndrome]
 [Pseudorabies virus] [(ATCC VR-135)]
 [SARS-associated coronavirus] [(ATCC VR-740)]
 [Transmissible gastroenteritis virus] [(ATCC VR-763)]

Note to reviewer: TEXT IN [BRACKETS] IS OPTIONAL. Variables such as CAPITALIZATION, punctuation, superscripting, plurals or singular, bold and italics are optional unless specified.

TEXT IN {BRACES} ARE COMMENTS TO REVIEWER

Alternate Brand Name: GLUTEX™ GS2 Sanitizer, GLUTEX™ GS2

[Virucidal against the following viruses:

Virus	Contact Time
[<i>Avian infectious bronchitis virus</i> [(ATCC VR-22)]]	At least 10-minutes]
[<i>Avian influenza</i> [(H6N2 and H5N1)] [(ATCC VR- 799)]]	At least 5-minutes]
[<i>Avian laryngotracheitis</i> [(SPAFAS 547316)]]	At least 5-minutes]
[<i>Avian reovirus</i> [(UConn 1133)]]	At least 10-minutes]
[<i>Avian rotavirus</i> [(AVR-1)]]	At least 10-minutes]
[<i>Canine parvovirus</i> [(CPV MLV)]]	At least 10-minutes]
[<i>Hog Cholera virus</i> [(NTU-076)]]	At least 5-minutes]
[<i>Infectious bursal disease</i> [(Lukert)]]	At least 5-minutes]
[<i>Marek's disease virus</i>]	At least 5-minutes]
[<i>New Castle disease virus</i> [(ATCC VR-109)]]	At least 5-minutes]
[<i>Porcine circovirus</i> [(American BioResearch Laboratories)]]	At least 30-minutes]
[<i>Porcine Epidemic Diarrhea Virus</i> [(Colorado 2013 isolate strain, (NVSL))] [†]]	At least 10-minutes]
[<i>Porcine reproductive respiratory syndrome</i> [(TN-Strain)]]	At least 5-minutes]
[<i>Pseudorabies virus</i> [(ATCC VR-135)]]	At least 10-minutes]
[<i>SARS-associated coronavirus</i> [(ATCC VR-740)]]	At least 5-minutes]
[<i>Transmissible gastroenteritis virus</i> [(ATCC VR- 763)]]	At least 10-minutes]

[† Not approved for this [organism] [or] [use] in California.] {*alternatively:*} [†Not approved in California for [this use] [use against this organism].]

Solution preparation and application guidance

Wear a NIOSH approved particulate respirator with any N, R, P filter, NIOSH approval number prefix TC-84A; or a NIOSH-approved powered air purifying respirator with an HE filter with NIOSH approved number prefix TC-21C when mixing the use solution and applying the use solution.

1. Remove filth and soil deposits from surfaces prior to treatment. Pre-clean surfaces with a suitable detergent and rinse with water.
2. Thoroughly saturate all surfaces using a mop or by spraying with a solution prepared by mixing 0.61 to 1.5 fluid ounces of UCARSAN Sanitizer 420 per gallon of water to produce a solution containing 0.1 to 0.25% active ingredient.
3. Immerse all halters, ropes, and other types of equipment used in handling and restraining animals, as well as forks, shovels, and scrapers used for removing litter and manure.
4. Allow to stand for at least five minutes, or until thoroughly dried. For application against *Avian Reovirus*, *Avian Rotavirus*, *Canine parvovirus*, *Pseudorabies*, *Transmissible gastroenteritis virus* and *Avian infectious bronchitis virus* allow to stand for at least 10 minutes. For application against *Porcine circovirus* (PCV), allow to stand for at least 30 minutes.

Note to reviewer: TEXT IN [BRACKETS] IS OPTIONAL. Variables such as CAPITALIZATION, punctuation, superscripting, plurals or singular, bold and italics are optional unless specified.

TEXT IN {BRACES} ARE COMMENTS TO REVIEWER

Alternate Brand Name: GLUTEX™ GS2 Sanitizer, GLUTEX™ GS2

5. Ventilate thoroughly before reuse.
6. Fresh solution should be prepared daily or more often if the solution becomes diluted or soiled.

[Farm Equipment and Animal Housing Buildings

(poultry & turkey grow-out houses, laying houses, swine production and housing, barns and large animal buildings)

Before applying UCARSAN Sanitizer 420:

1. Remove all poultry and other animals and feed from the premises. Remove all portable equipment and empty all feeders and water troughs. If not removed, all treated feeders and waterers must be thoroughly rinsed with potable water prior to re-use.
2. Remove all litter and manure from floors and other surfaces.
3. Prepare sanitizing solution by mixing the appropriate amount of UCARSAN Sanitizer 420 with water. Refer to solution preparation above.
4. Using suitable commercially available equipment, saturate all surfaces until visibly wet with the prepared solution. Immerse hard, non-porous equipment used in handling and restraining animals, as well as forks, shovels, and scrapers used for removing litter and manure.
5. Allow to stand for at least 5 minutes, or for longer depending on the organisms being treated. (See solution preparation and application guidance above). Not for fogging
6. Ventilate enclosed spaces.
7. Do not repopulate with poultry or other animals, or use equipment until treatment has been absorbed or dried]

[Hatchers, Setters, and Chick Processing Facilities

Not for treatment of hatchers which contain chicks/eggs.

1. For sanitizing of environmental surfaces prior to introduction of eggs: Remove all animals and feed from premises/vehicle and enclosures.
2. Clean out feathers, fluff, or other debris. Remove gross filth and soil deposits from surfaces prior to treatment. Pre-clean surfaces with a suitable detergent and rinse with water.
3. Prepare sanitizing solution by mixing the appropriate amount of UCARSAN Sanitizer 420 with water. Refer to solution preparation above.
4. Thoroughly saturate all surfaces with the prepared solution. Immerse hard, non-porous equipment used in handling and restraining animals, as well as forks, shovels, and scrapers used for removing litter and manure.
5. Ventilate enclosed spaces.
6. Do not repopulate with poultry or other animals, or use equipment until treatment has been absorbed or dried]

]

Note to reviewer: TEXT IN [BRACKETS] IS OPTIONAL. Variables such as CAPITALIZATION, punctuation, superscripting, plurals or singular, bold and italics are optional unless specified.

TEXT IN {BRACES} ARE COMMENTS TO REVIEWER

Alternate Brand Name: GLUTEX™ GS2 Sanitizer, GLUTEX™ GS2

[For Cleaning of Environmental Surfaces via Fogging

[Not approved for this use in the state of California]

Fogging is not used as a sanitizing treatment

Ventilation systems must remain on during fogging

Wear a NIOSH approved particulate respirator with any N, R, P filter, NIOSH approval number prefix TC-84A; or a NIOSH-approved powered air purifying respirator with an HE filter with NIOSH approval number prefix TC-21C when mixing the use solution and pouring it into the fogging apparatus

1. Remove all animals and feed from premises/vehicle and enclosures.
2. Remove gross filth and soil deposits from surfaces prior to treatment. [Prepare solution by mixing 0.61 to 1.5 fluid ounces of this product per gallon of water]
3. [Ventilate thoroughly before re-entry.] See below instructions for re-entry times for workers. Do not repopulate with poultry or other animals, or use equipment until treatment has been absorbed or dried
4. For treatment of air and surfaces in high humidity hatchers and setters with water spray cooling: Fog or atomize this solution into setters or hatchers, using appropriate application equipment. Fogging of poultry houses should only be done in such a way that the operator is outside the poultry house when applying the fog. Prepare a solution by mixing the appropriate amount of UCARSAN Sanitizer 420 with water (See solution preparation and application guidance above).
5. For treatment of air and surfaces in low humidity hatchers with chilled coil cooling: Fog or atomize this product using appropriate application equipment. Fogging of poultry houses should only be done in such a way that the operator is outside the poultry house when applying the fog. Prepare a solution by mixing the appropriate amount of UCARSAN Sanitizer 420 with water (See solution preparation and application guidance above). Fog this solution at a rate of 3.8 ounces per 10,000 cubic feet for the fogging times specified in the table below. See table for re-entry times after application.

Air Changes per Hour (ACH)	Fogging Time	Re-entry Time
8	5 minutes	25 minutes
12	7.5 minutes	15 minutes
16	10 minutes	10 minutes
20	12.5 minutes	10 minutes
24	15 minutes	10 minutes

Fogging is not used as a sanitizing treatment. [Ventilation systems must remain on during fogging.] [Fogging Application is not approved for use in California]

Under no circumstances must the treated facility be entered by unprotected persons before the listed re-entry intervals. If the hatchery room must be entered, before the listed re-entry intervals,

Note to reviewer: TEXT IN [BRACKETS] IS OPTIONAL. Variables such as CAPITALIZATION, punctuation, superscripting, plurals or singular, bold and italics are optional unless specified.

TEXT IN {BRACES} ARE COMMENTS TO REVIEWER

Alternate Brand Name: GLUTEX™ GS2 Sanitizer, GLUTEX™ GS2

then the individuals entering the room must wear a long-sleeved shirt and pants and a NIOSH approved particulate respirator with any N, R, or P filter, NIOSH approval number prefix TC-84A; or a NIOSH-approved powered air purifying respirator with an HE filter with NIOSH approved number prefix TC-21C.

]

[Trays, Racks, Carts, Chick Boxes, Cages, and other Hard Surfaces:

1. Remove all filth and heavy debris from surfaces by scraping or washing.
2. Prepare a solution by mixing the appropriate amount (See solution preparation and application guidance above) of UCARSAN Sanitizer 420 with water.
3. Apply by spraying or immersion, and allow to drain and air-dry. Immerse hard, non-porous equipment used in handling and restraining animals, as well as forks, shovels, and scrapers used for removing litter and manure.
4. Allow to stand for at least 5 minutes, or for longer depending on the organisms being treated. (See solution preparation and application guidance above). Not for fogging.
5. Ventilate enclosed spaces.
6. Do not repopulate with poultry or other animals, or use equipment until treatment has been absorbed or dried.]

[Trucks and other Vehicles

1. Remove all filth and heavy debris from surfaces by scraping or washing.
2. Prepare a solution by mixing the appropriate amount of UCARSAN Sanitizer 420 with water. See solution preparation and application guidance above.
3. Apply by spraying or immersion, and allow to air-dry.
4. Allow to stand for at least 5 minutes, or longer depending on the organisms being treated. Not for fogging.
5. Ventilate enclosed spaces.
6. Do not repopulate with poultry or other animals, or use equipment until treatment has been absorbed or dried.]

[SANITIZING NON-FOOD CONTACT SURFACES, INDUSTRIAL EQUIPMENT AND BUILDINGS

Wear a NIOSH approved particulate respirator with any N, R, P filter, NIOSH approval number prefix TC-84A; or a NIOSH-approved powered air purifying respirator with an HE filter with NIOSH approved number prefix TC-21C when mixing the use solution and applying the use solution.

1. Before applying UCARSAN Sanitizer 420, remove heavy filth and soil deposits from surfaces using a suitable cleaner.
2. Dilute to 0.10% to 0.25% active ingredient by mixing 0.61 to 1.5 fluid ounces of UCARSAN

Note to reviewer: TEXT IN [BRACKETS] IS OPTIONAL. Variables such as CAPITALIZATION, punctuation, superscripting, plurals or singular, bold and italics are optional unless specified.

TEXT IN {BRACES} ARE COMMENTS TO REVIEWER

Alternate Brand Name: GLUTEX™ GS2 Sanitizer, GLUTEX™ GS2

Sanitizer 420 per gallon of water.

3. Using suitable commercially available equipment, saturate all surfaces with diluted UCARSAN Sanitizer 420. Allow to set for at least 5 minutes, or longer time depending on the organisms being treated. See solution preparation and application guidance above.
4. Ventilate enclosed spaces.
5. Do not repopulate with poultry or other animals, or use equipment until treatment has been absorbed or dried.]

NET [Weight]{or}[WT] {or} [Contents]: XXX [(X-containers)]

<Lot:> [Product Code #]


[Produced For *(used when manufactured by contract manufacturer)*]

Lanxess Corporation
111 RIDC Park West Drive
Pittsburgh, PA 15275

[For information: US/Canada (800) LANXESS International +1 412 809 1000]
[MADE IN U.S.A.]

[© {insert current year} LANXESS. UCARSAN™ LANXESS, the LANXESS Logo and any associated logos are trademarks or copyrights of LANXESS Deutschland GmbH or its affiliates. All trademarks are registered in many countries worldwide]



[]{Kosher symbol to be used for certified products as per guidelines of certification. To be included only for products with valid and current approvals. Not to appear on front panel of label.}

Note to reviewer: TEXT IN [BRACKETS] IS OPTIONAL. Variables such as CAPITALIZATION, punctuation, superscripting, plurals or singular, bold and italics are optional unless specified.

TEXT IN {BRACES} ARE COMMENTS TO REVIEWER

Alternate Brand Name: GLUTEX™ GS2 Sanitizer, GLUTEX™ GS2

{Optional Product Specific Branding/Marketing Logos- may appear in color, black only, or grey scale}



Note to reviewer: TEXT IN [BRACKETS] IS OPTIONAL. Variables such as CAPITALIZATION, punctuation, superscripting, plurals or singular, bold and italics are optional unless specified.

TEXT IN {BRACES} ARE COMMENTS TO REVIEWER

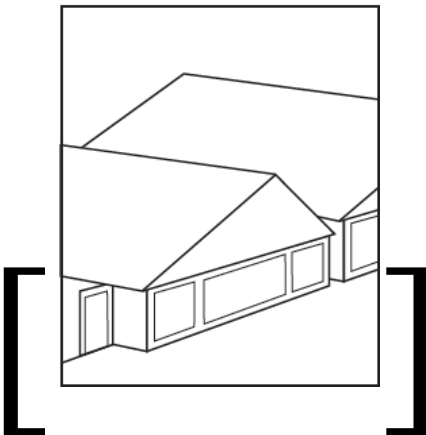
Alternate Brand Name: GLUTEX™ GS2 Sanitizer, GLUTEX™ GS2

{Note to Reviewer: The following optional pictograms and statements on pg. 16-18 are to be used for GLUTEX GS2 Sanitizer Labeling and marketing material}

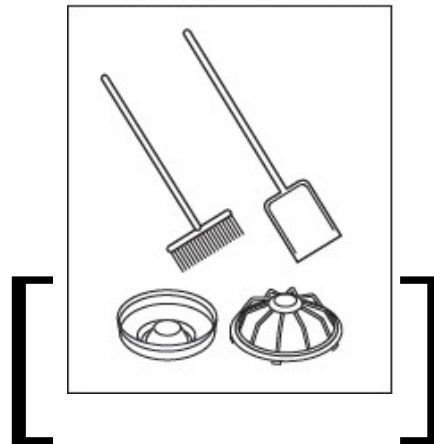
{Optional pictograms and text for marketing pamphlets}

[GLUTEX™ GS2 Sanitizer in-use solutions can be used for:]

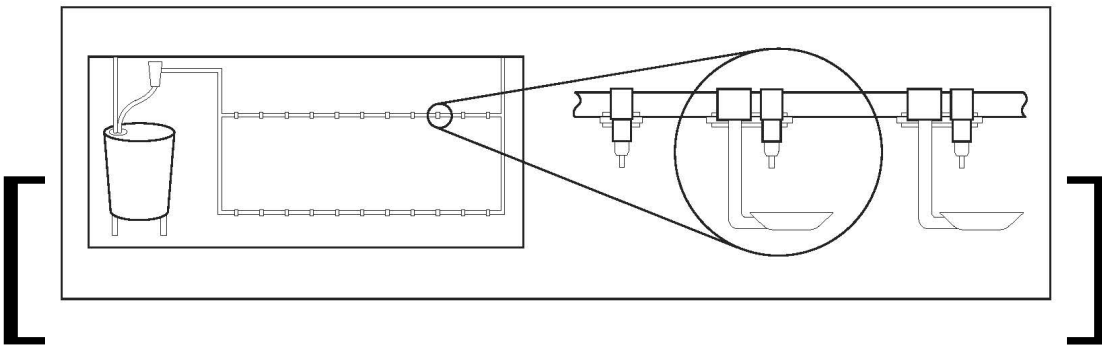
BARN SURFACES



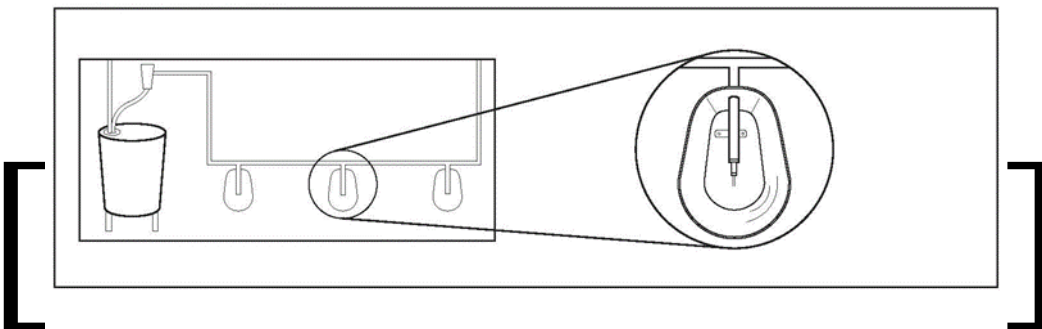
MOVABLE EQUIPMENT



POULTRY WATER SYSTEM



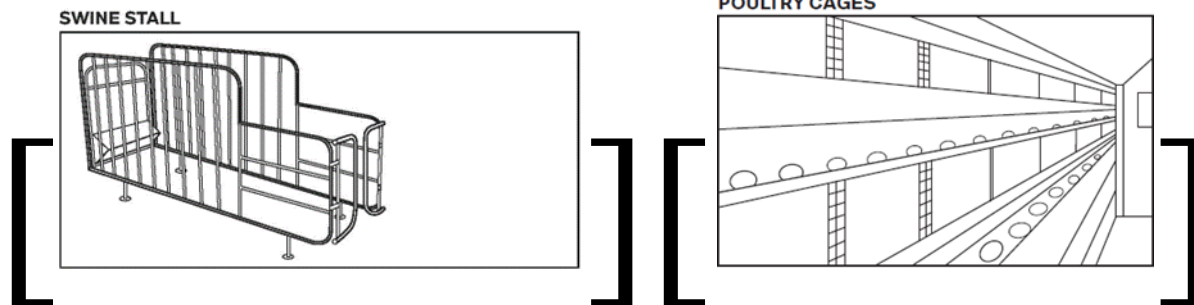
SWINE WATER SYSTEM



Note to reviewer: TEXT IN [BRACKETS] IS OPTIONAL. Variables such as CAPITALIZATION, punctuation, superscripting, plurals or singular, bold and italics are optional unless specified.

TEXT IN {BRACES} ARE COMMENTS TO REVIEWER

Alternate Brand Name: GLUTEX™ GS2 Sanitizer, GLUTEX™ GS2



{Additional Marketing Claims}

[New Look Same [Trusted][Reliable][Formulation]

[Will not harm most hard non-porous surfaces]

[Compatible with most hard non-porous surfaces]

[Non-damaging to most hard non-porous surfaces]

{note to reviewer: text designated in claims below with * may appear as a qualifier in product literature and marketing. }

[For Barn Use[*] on hard, non-porous surfaces]

[For Barn Use *-hard, non-porous surfaces]

[For Farm Use[*]] on hard, non-porous surfaces]

[For Farm Use *-hard, non-porous surfaces]

[For Use in Transportation[*]] on hard, non-porous surfaces {*alternatively*} [*-hard, non-porous surfaces] [For Use in Truck Washing[*]] on hard, non-porous surfaces {*alternatively*} [*-hard, non-porous surfaces]

[For Use in: [Agricultural farms & barns]], [Agricultural & livestock buildings], [Barn & Farm Premise Facilities], [Breeding facilities], [*]on hard, non-porous surfaces {*alternatively*} [*-hard, non-porous surfaces]

[For Use on: [Trailers, Transportation crates, Trucks & Vehicles][*]on hard, non-porous surfaces {*alternatively*} [*-hard, non-porous surfaces]]

[Animal Premise Sanitizer]

[Farm Animal Care]

[Suitable for everyday use]

[Easy to transport and store]

[Easy to dilute into a ready to use solution]

[Cleans stains from algae]

Note to reviewer: TEXT IN [BRACKETS] IS OPTIONAL. Variables such as CAPITALIZATION, punctuation, superscripting, plurals or singular, bold and italics are optional unless specified.

TEXT IN {BRACES} ARE COMMENTS TO REVIEWER

Alternate Brand Name: GLUTEX™ GS2 Sanitizer, GLUTEX™ GS2

[[HATCHERIES:] In-use solutions can be used for cleaning and sanitizing hard, non-porous, non-food contact surfaces [such as] [in] [on] hatchers, setters, evaporative coolers, humidifying systems, ceiling fans, chicken houses, transfer trucks, trays, and plastic chick boxes.]